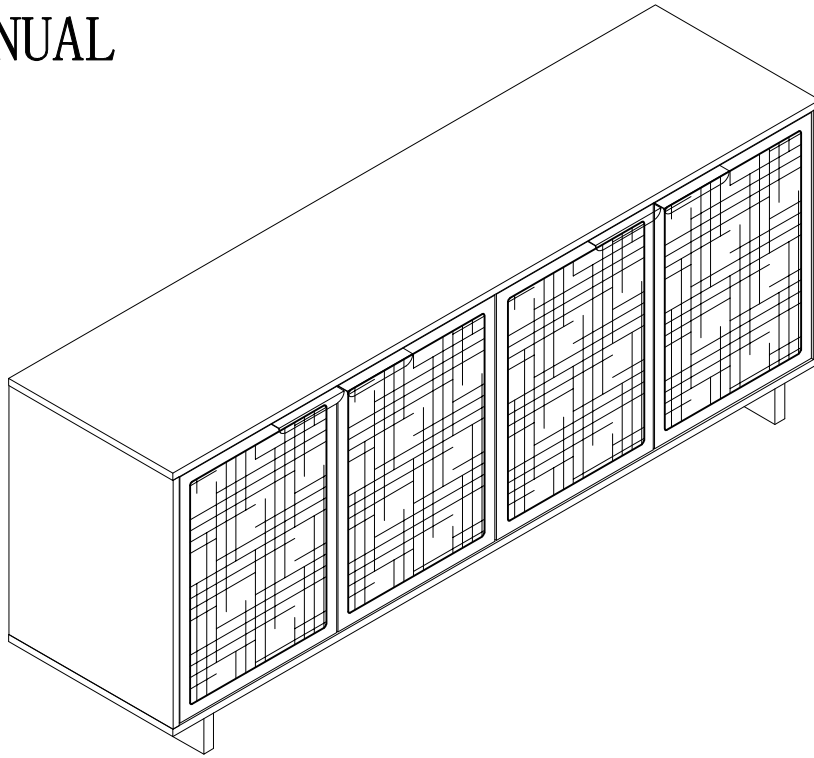
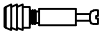



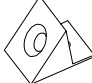
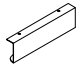
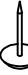


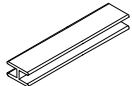


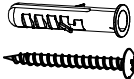
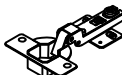



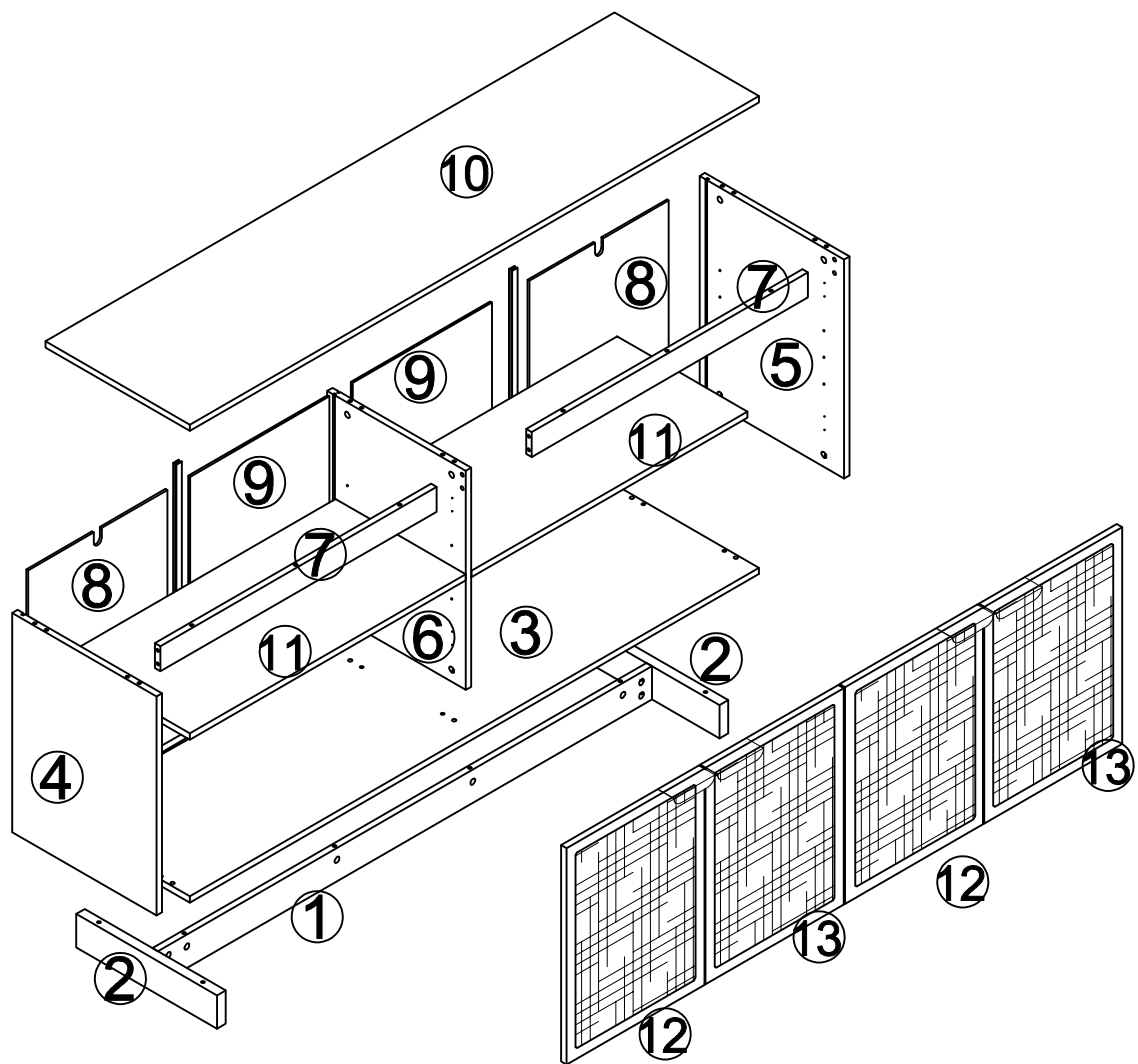
# USER MANUAL

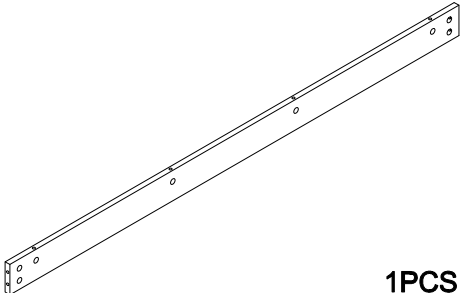
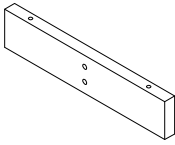
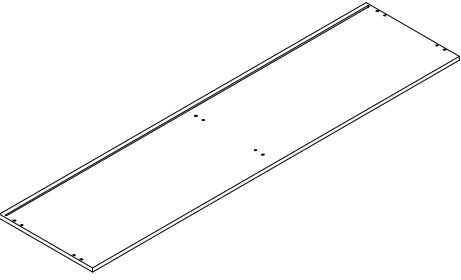
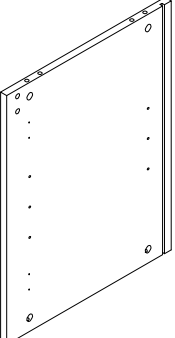
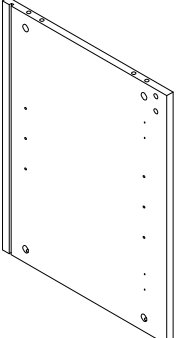
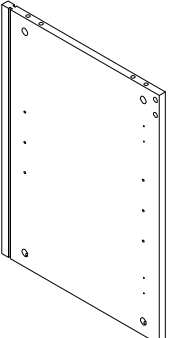
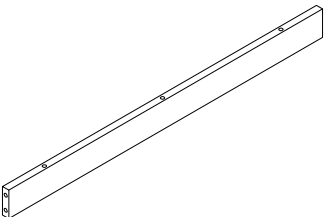
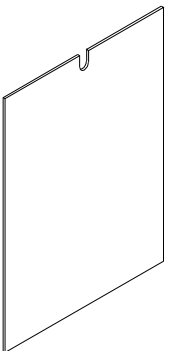
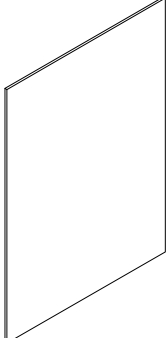
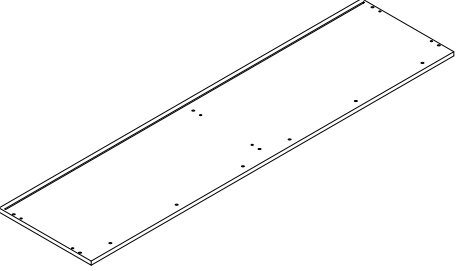
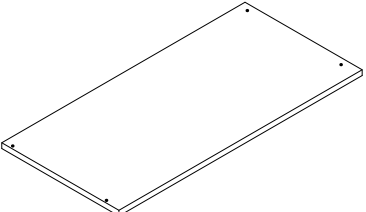
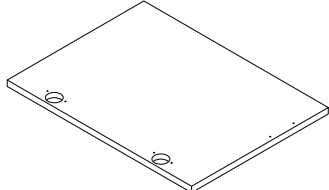
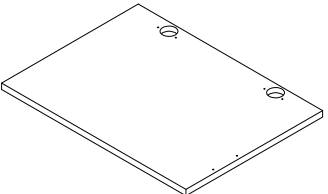


Thank you for choosing our products! To ensure a smooth and safe installation, please carefully read this manual and follow the instructions.

- Before installation, please check the product list to make sure you have received all parts.
- During the installation, please operate carefully to avoid injury. Pay special attention to safety when carrying heavy objects or operating sharp tools.
- Please follow the steps in order. Do not skip any steps.
- If you encounter any problems during the installation process, please stop the operation immediately and contact our customer service team for help.
- Periodically check to ensure that all connectors (bolts, screws, etc.) are tight.

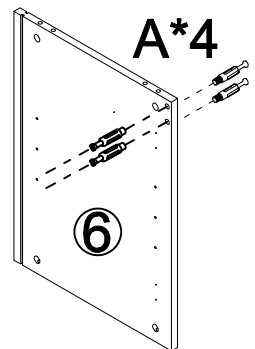
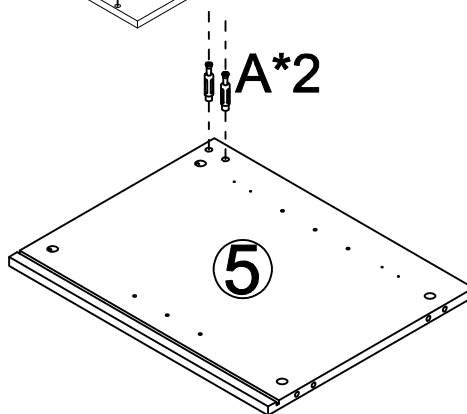
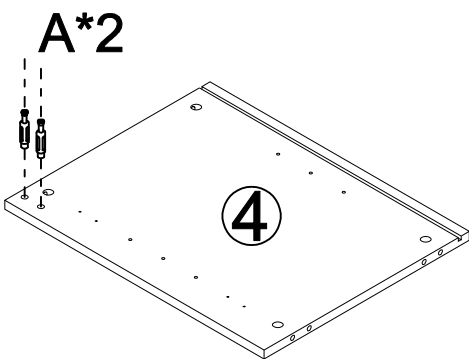
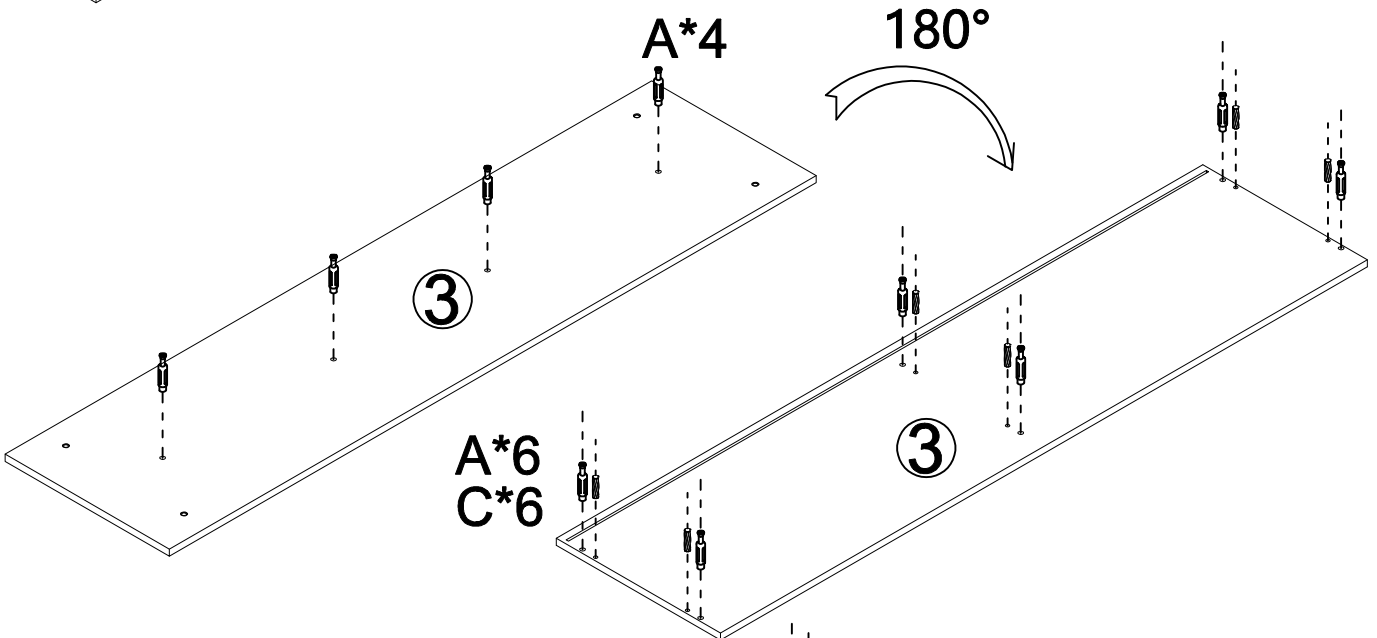
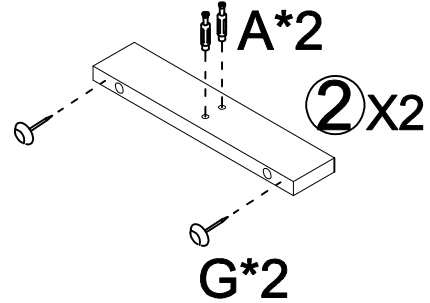
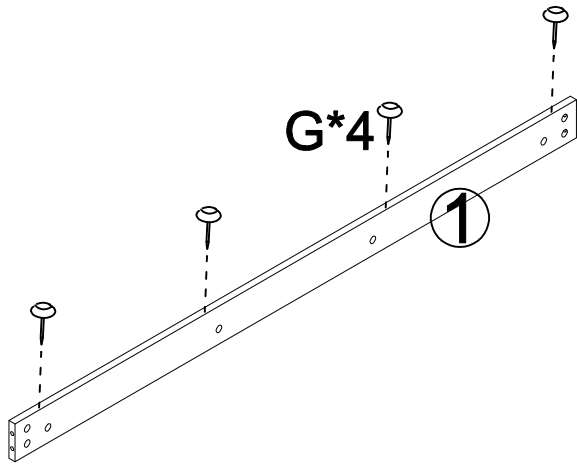
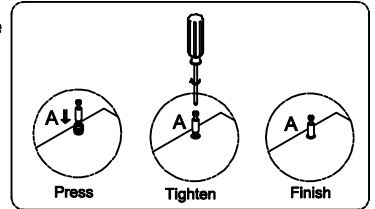
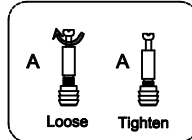
<b>A</b>   34PCS	<b>B</b>   34PCS	<b>C</b>   12PCS	<b>D</b>   62PCS	<b>E</b>   12PCS	<b>F</b>   4PCS	<b>G</b>   8PCS
						
Ø6*35mm	Ø15*11.5mm	Ø8*40mm	M3.5*14mm			
<b>H</b>   4PCS	<b>I</b>   4PCS	<b>J</b>   2PCS	<b>K</b>   8PCS	<b>L</b>   2PCS	<b>M</b>   2PCS	<b>N</b>   4PCS
						
	M6*55mm	524*15*9				
<b>O</b>   8PCS						
						
M3.5*12mm						

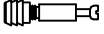




<p><b>1</b></p>  <p><b>1PCS</b></p>	<p><b>2</b></p>  <p><b>2PCS</b></p>	<p><b>3</b></p>  <p><b>1PCS</b></p>
<p><b>4</b></p>  <p><b>1PCS</b></p>	<p><b>5</b></p>  <p><b>1PCS</b></p>	<p><b>6</b></p>  <p><b>1PCS</b></p>
<p><b>7</b></p>  <p><b>2PCS</b></p>	<p><b>8</b></p>  <p><b>2PCS</b></p>	<p><b>9</b></p>  <p><b>2PCS</b></p>
<p><b>10</b></p>  <p><b>1PCS</b></p>	<p><b>11</b></p>  <p><b>2PCS</b></p>	<p><b>12</b></p>  <p><b>2PCS</b></p>
<p><b>13</b></p>  <p><b>2PCS</b></p>		

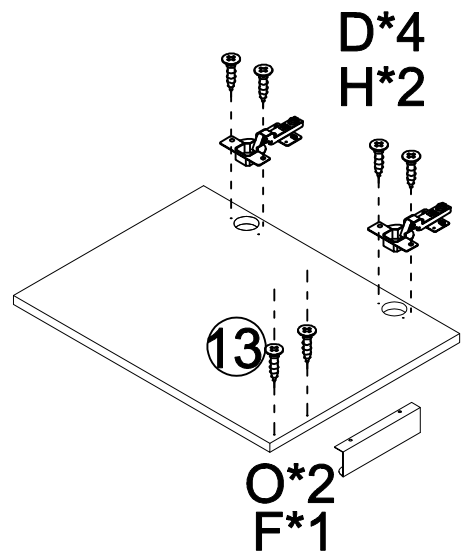
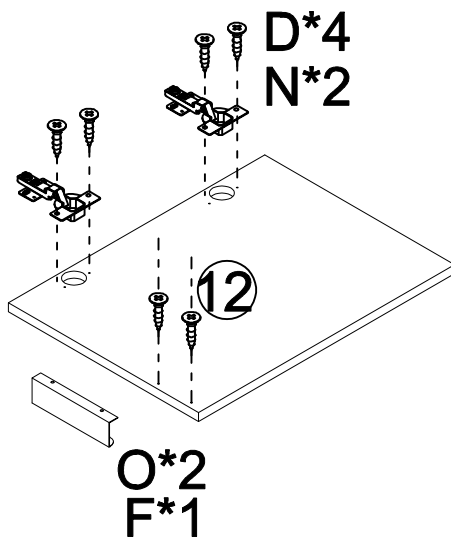
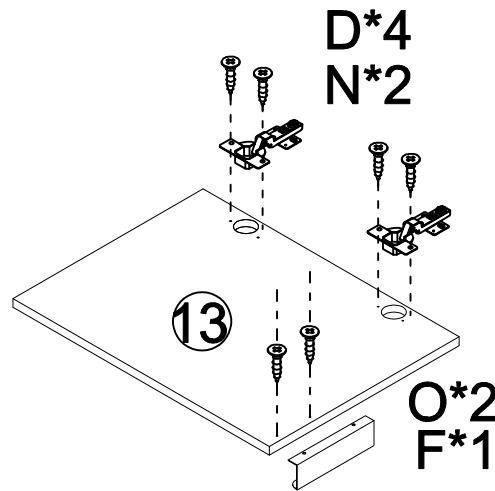
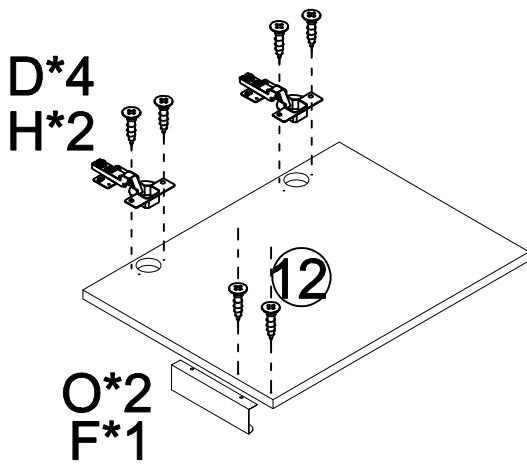
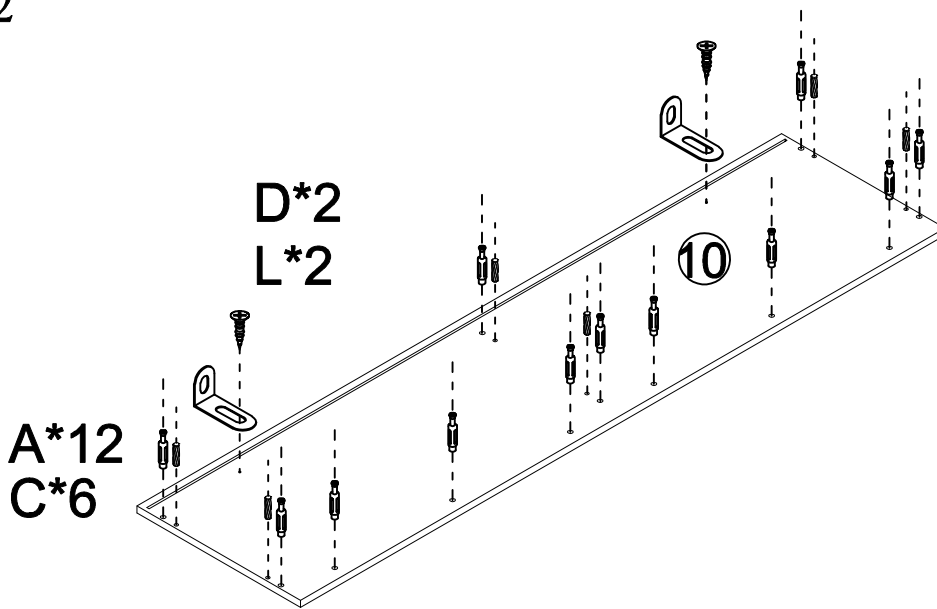
# STEP 1


Make sure the screws are loose before pressing

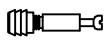


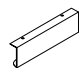


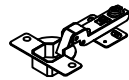


<b>A</b>	<b>22PCS</b>	<b>C</b>	<b>6PCS</b>	<b>G</b>	<b>8PCS</b>
					
Ø6*35mm		Ø8*40mm			

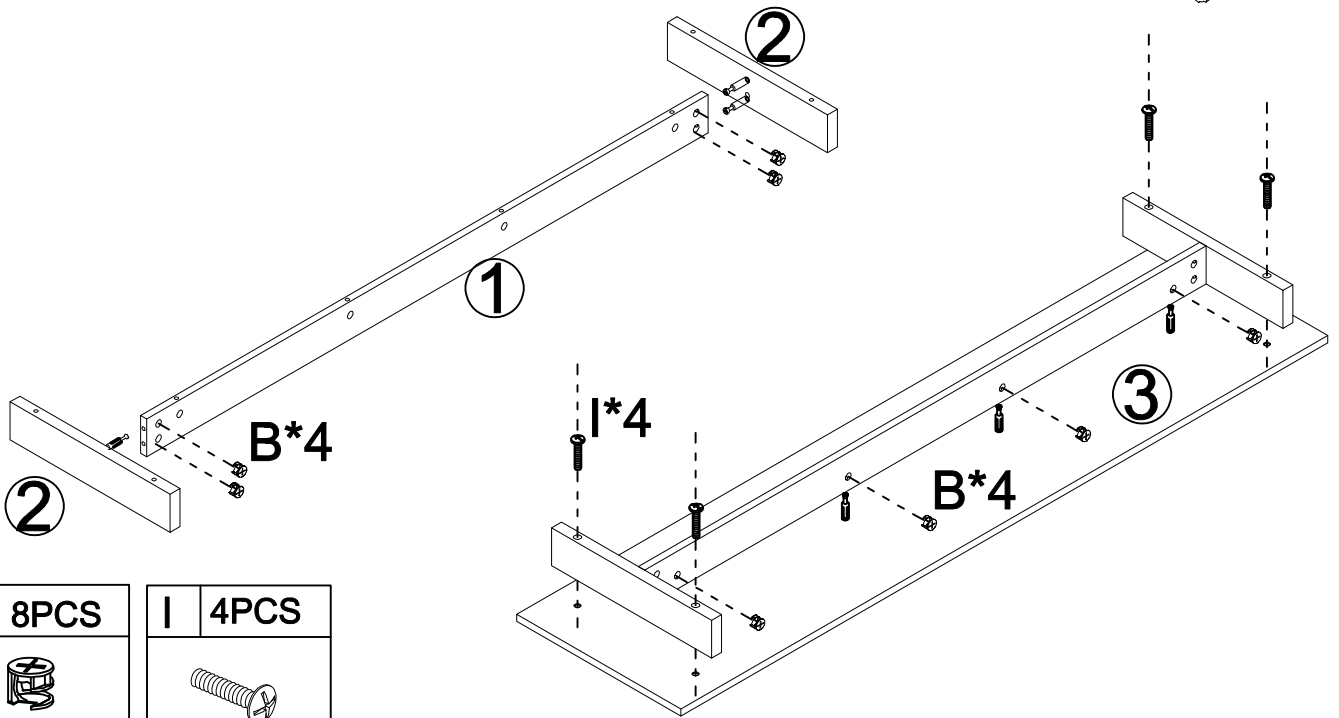
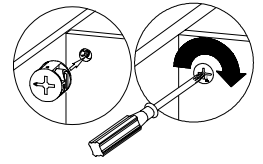
# STEP 2


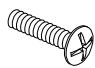


<b>O</b>	<b>8PCS</b>
	
<b>M3.5*12mm</b>	

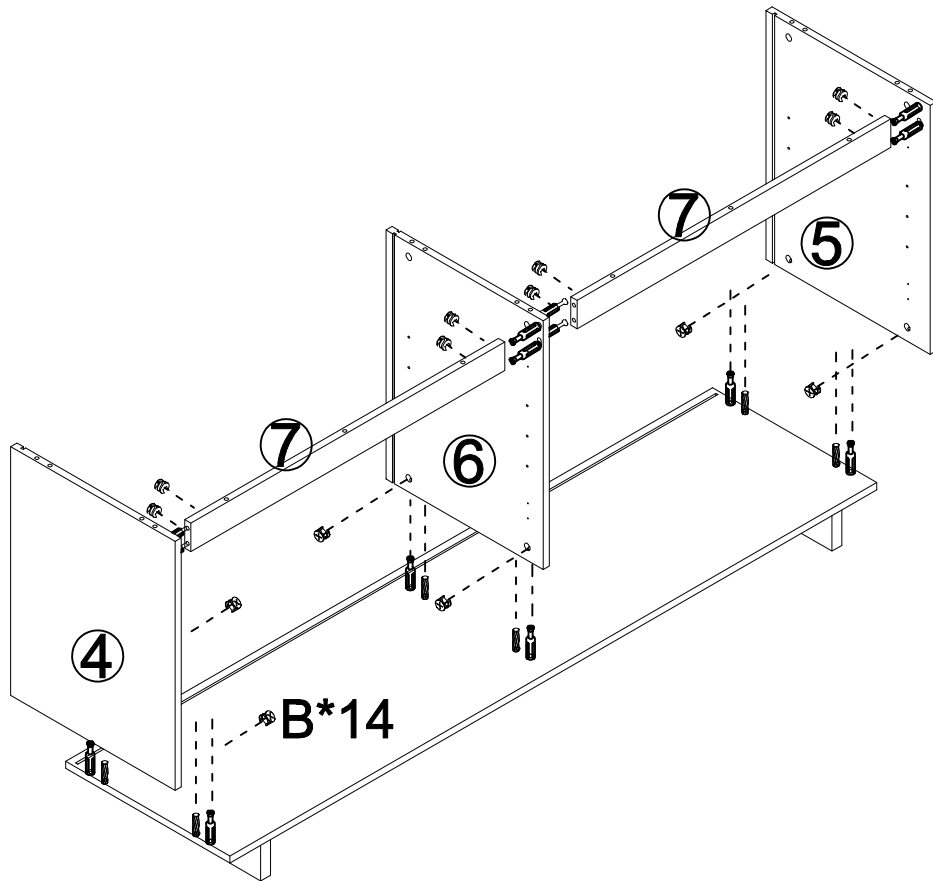
<b>A</b>	<b>12PCS</b>	<b>C</b>	<b>6PCS</b>	<b>D</b>	<b>18PCS</b>	<b>F</b>	<b>4PCS</b>	<b>H</b>	<b>4PCS</b>	<b>L</b>	<b>2PCS</b>	<b>N</b>	<b>4PCS</b>
													
<b>Ø6*35mm</b>		<b>Ø8*40mm</b>		<b>M3.5*14mm</b>									


# STEP 3



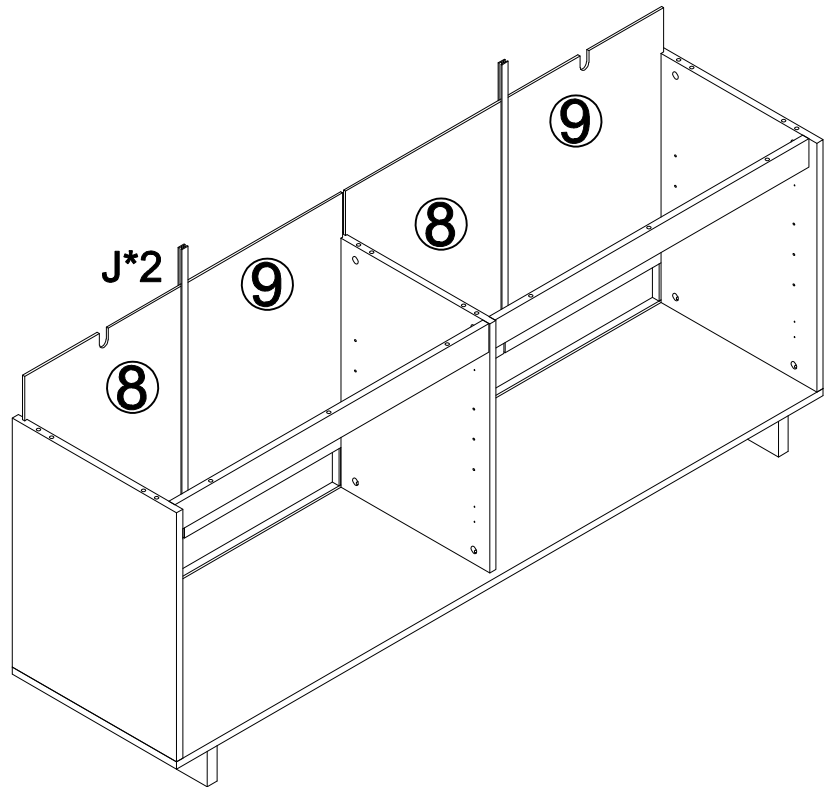
<b>B</b> 8PCS	<b>I</b> 4PCS
	
Ø15*11.5mm	M6*55mm

# STEP 4

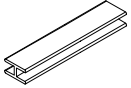


<b>B</b> 14PCS

Ø15*11.5mm

## STEP 5

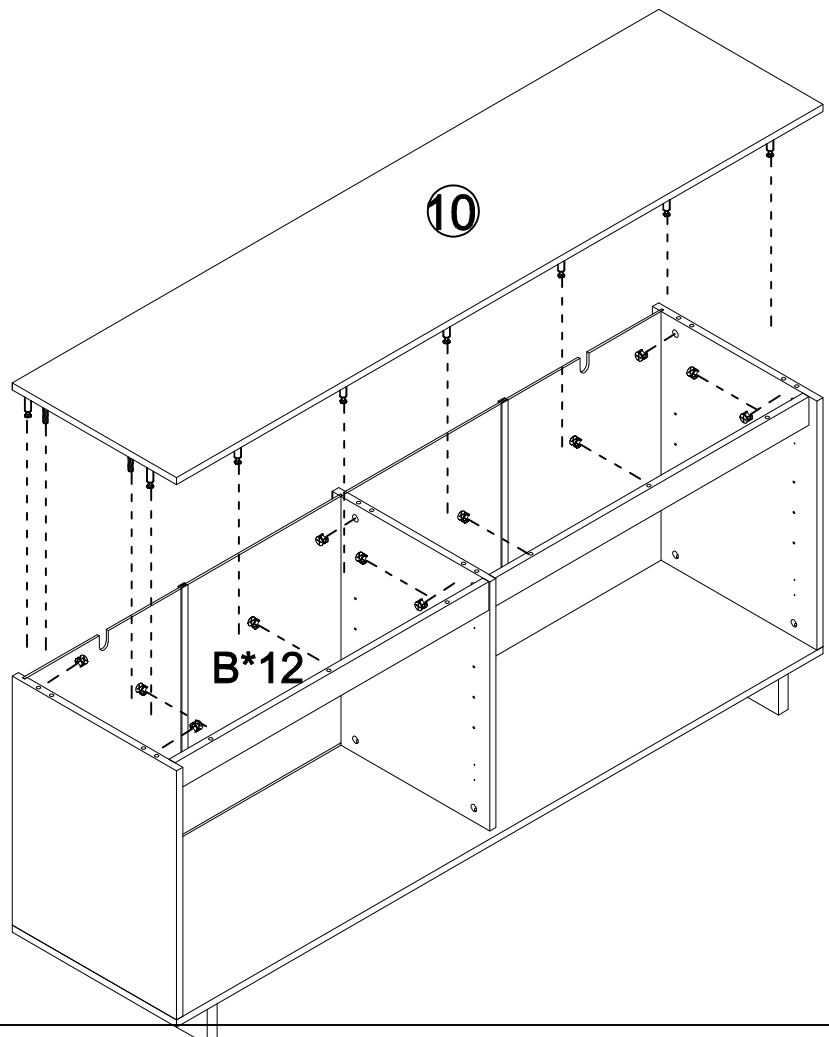


J 2PCS



524\*15\*9

## STEP 6

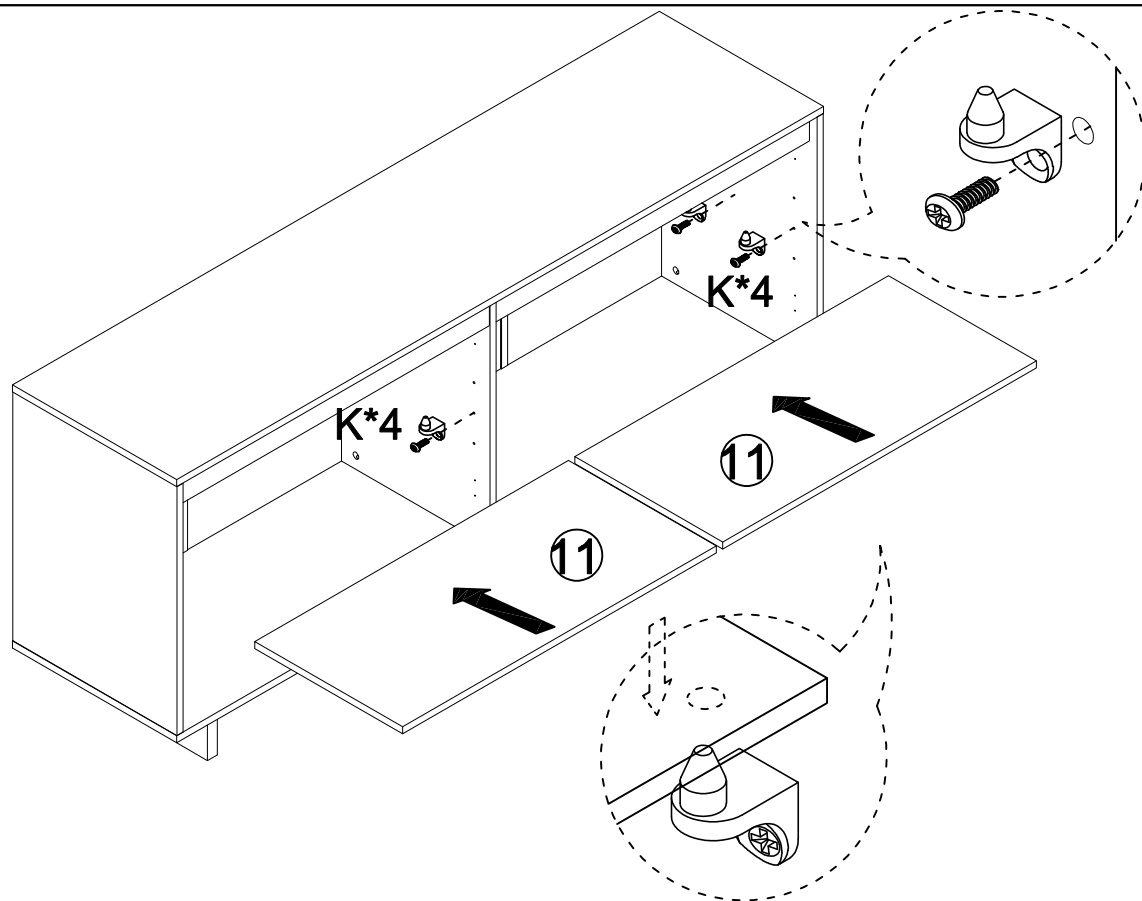


B 12PCS

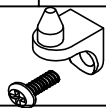


Ø15\*11.5mm

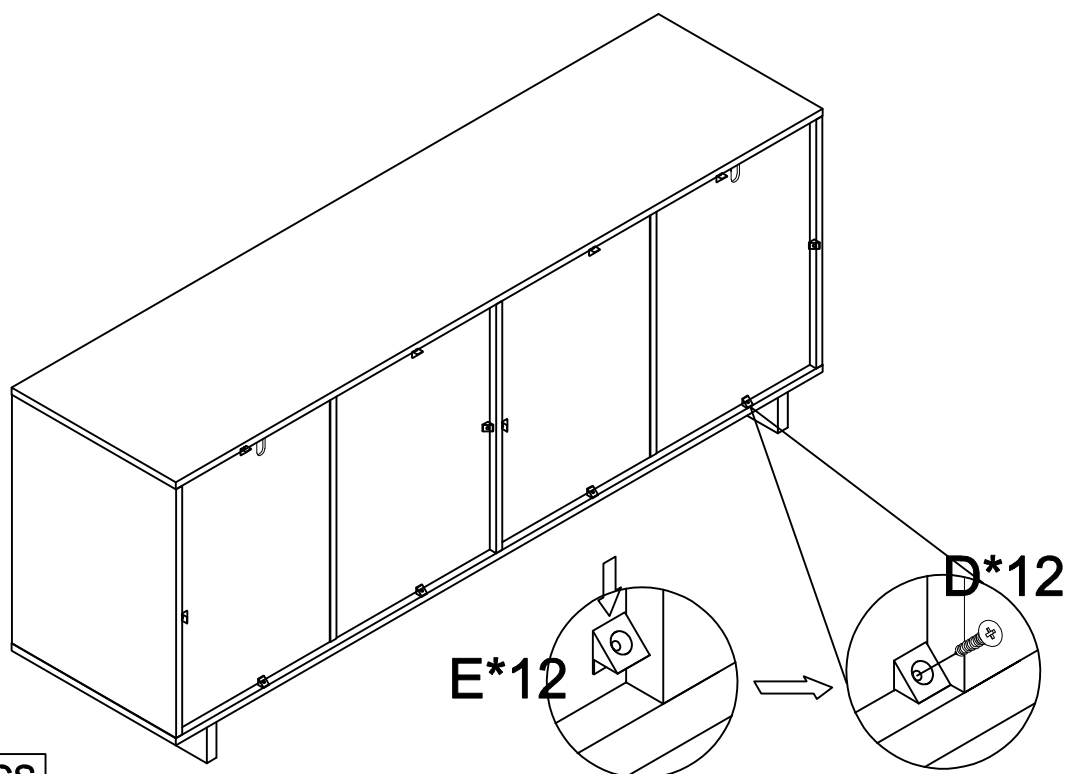
# STEP 7



**K** 8PCS



# STEP 8



**D** 12PCS



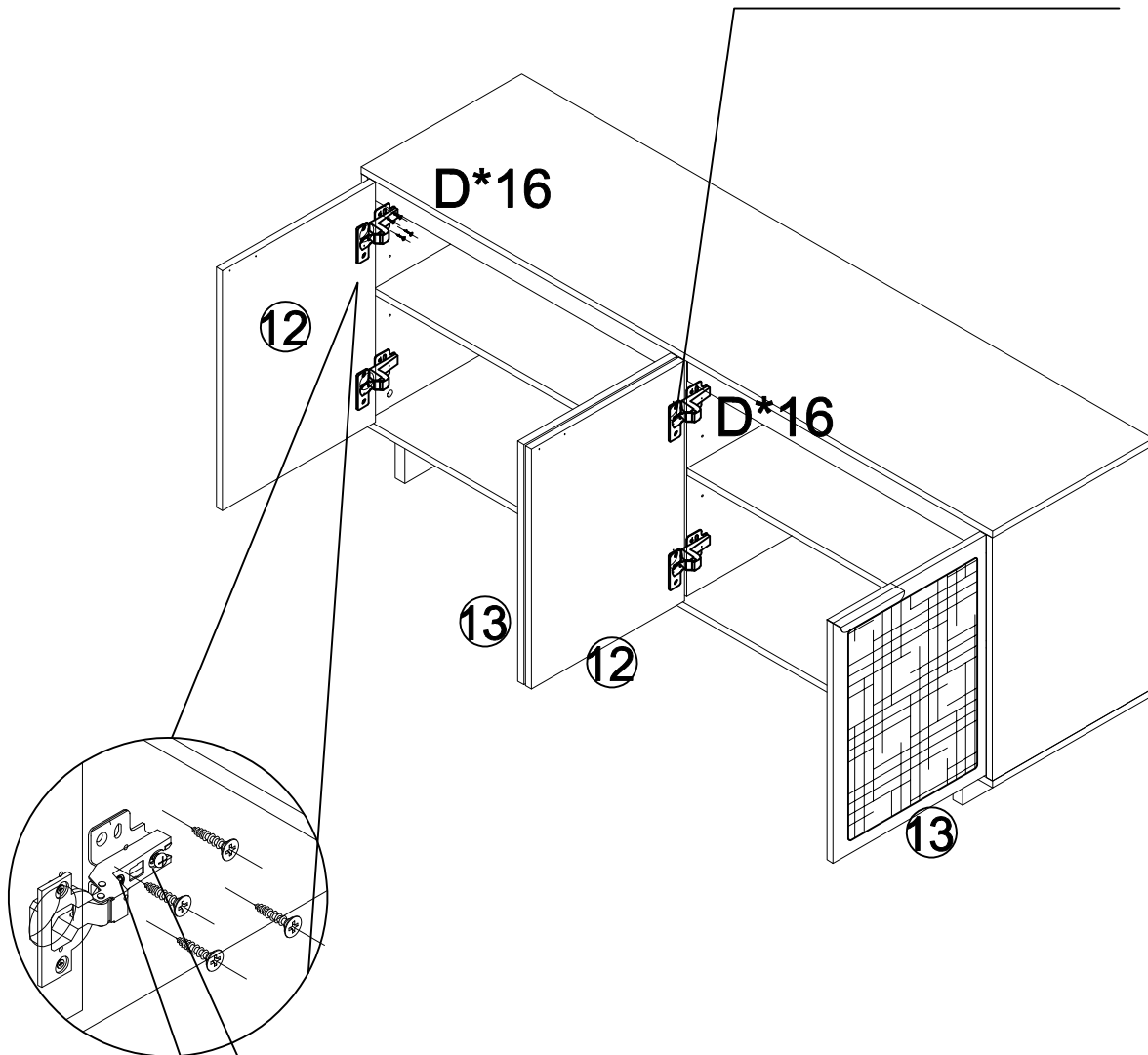
M3.5\*14mm

**E** 12PCS




# STEP 9

Please note that for the door panel numbered 12 and 13, the hinge "N" should be installed.



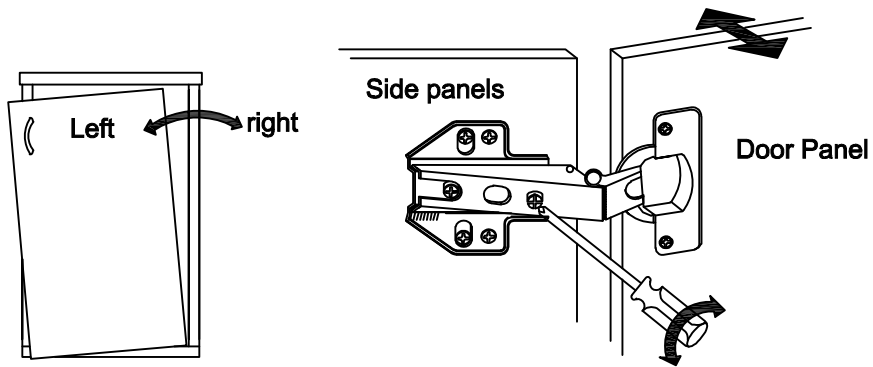
The two screws on the front and back can adjust the gap of the door panel.

D	32PCS
	
M3.5*14mm	

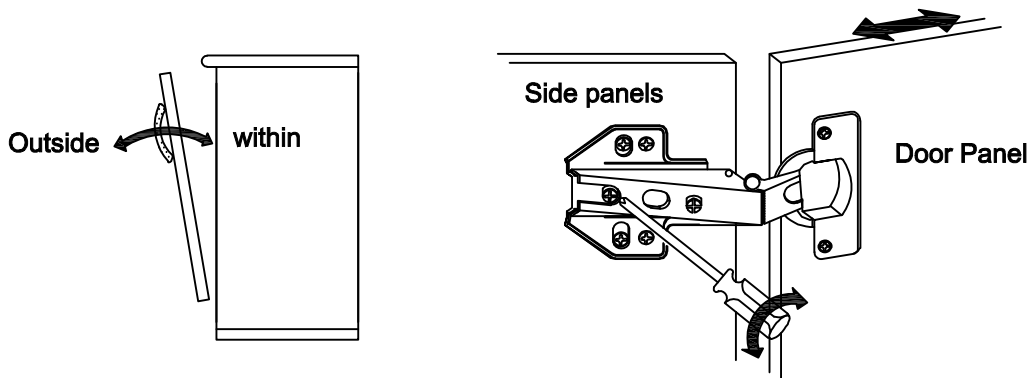
# STEP 10

## Door hinge adjustment method

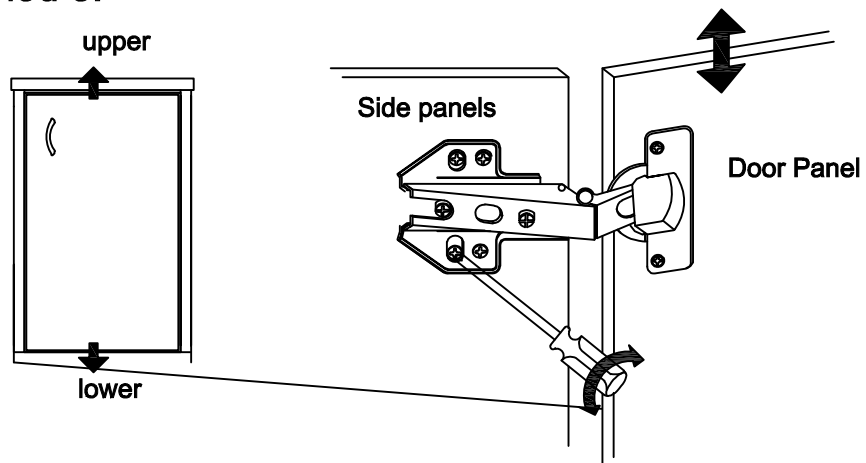
### Method 1:



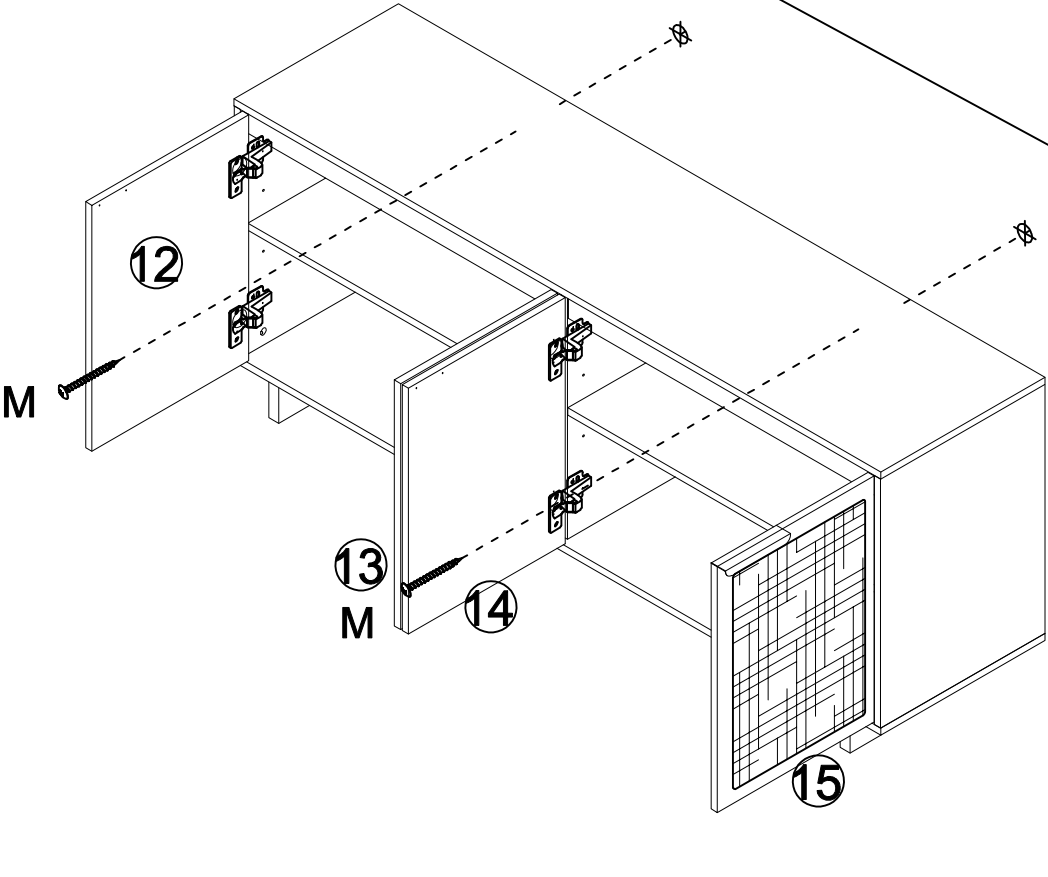
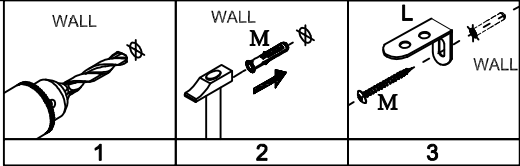
### Method 2:



### Method 3:



# STEP 11



M	2PCS