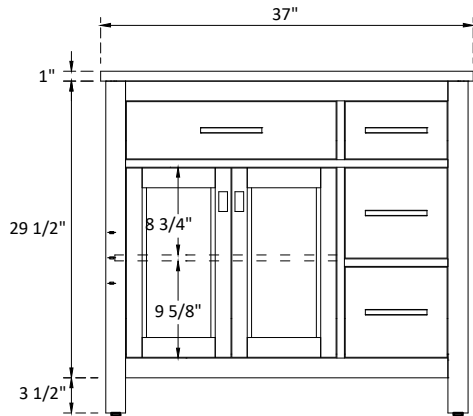
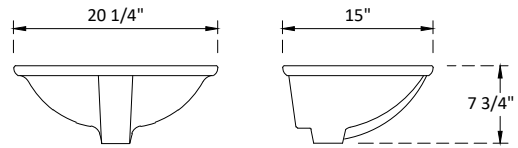
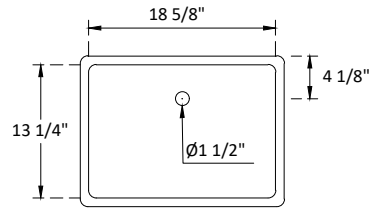
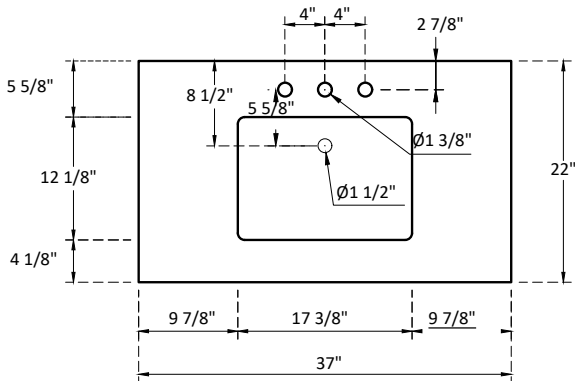
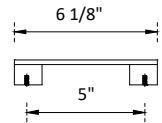


SPECIFICATIONS



Handle:
Overall length : $6\frac{1}{8}$ " (155mm)
center to center : 5" (128mm)



Knob:
Overall length : 2" (50mm)
center to center : $1\frac{1}{4}$ " (32mm)

