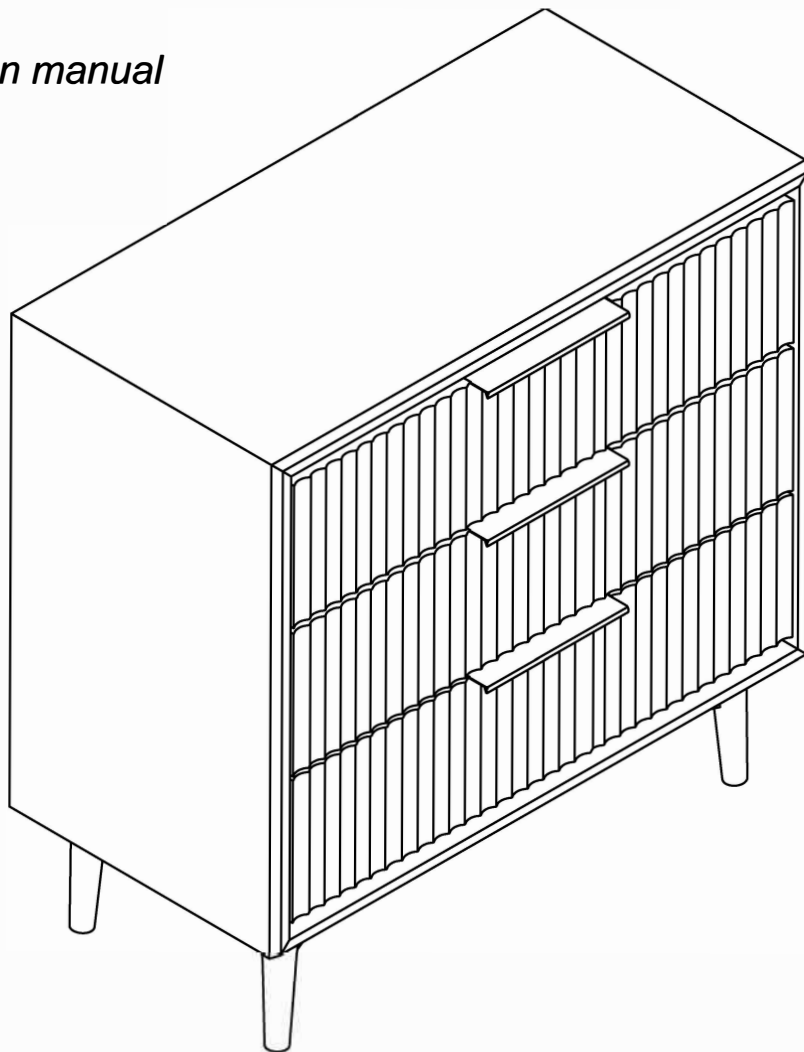


# 3 Drawer Chest BLACK / GREY

*Instruction manual*

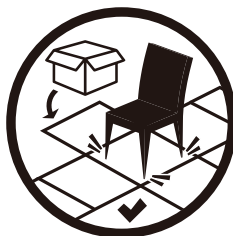




# SAFETY AND CARE ADVICE

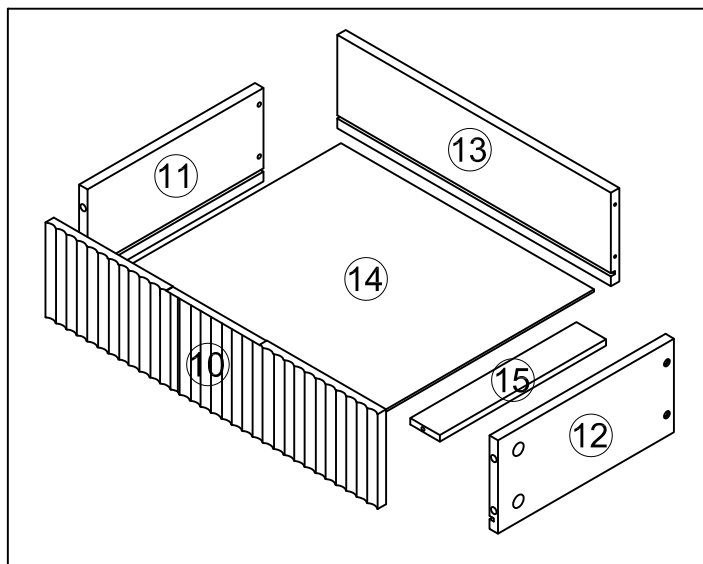
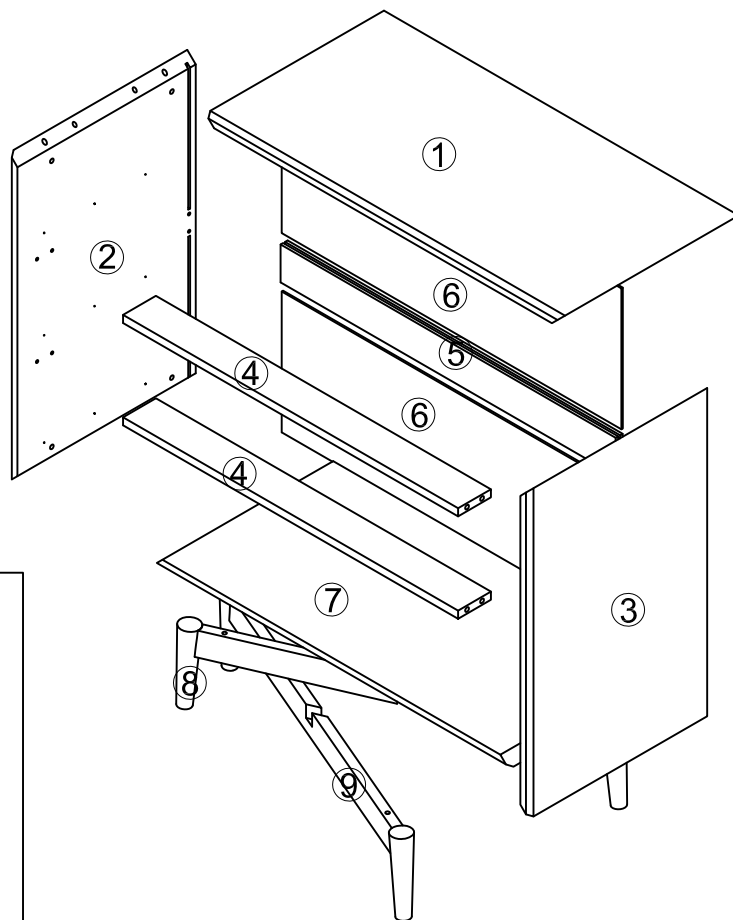
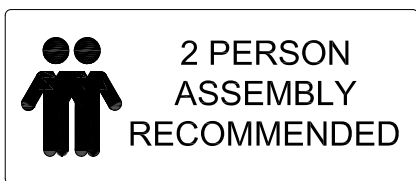
PLEASE READ THESE INSTRUCTIONS CAREFULLY AND KEEP FOR FUTURE

- *Check you have all the components and tools listed on pages 2 or 3.*
- *Remove all fittings from the plastic bags and separate them into their groups.*
- *Keep children and animals away from the work area, small parts could choke if swallowed.*
- *Make sure you have enough space to layout the parts before starting.*
- *Do not stand or put weight on the product, this could cause damage.*
- *Assemble on a soft level surface to avoid damaging the unit or your floor (use opened out unit carton).*
- *We do not recommend the use of power drill/drivers for inserting screws, as this could damage the unit. Only use hand screwdrivers.*



# COMPONENTS — PANELS

Please check you have all the fittings listed below:



x3

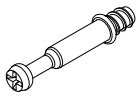
## PANEL LIST

PACK 1/2		PACK 2/2	
1	Top Panel	x1	
2	Left Side Panel	x1	
3	Right Side Panel	x1	
6	Back Panel	x2	
7	Bottom Panel	x1	
8	Upper Base Frame	x1	
9	Lower Base Frame	x1	
14	Drawer Bottom Panel	x3	
			4 Middle Rail
			x2
			5 Back Rail
			x1
			10 Drawer Front
			x3
			11 Drawer Left Side Panel
			x3
			12 Drawer Right Side Panel
			x3
			13 Drawer Back Panel
			x3
			15 Drawer Rail
			x3

# COMPONENTS — FITTINGS

Please check you have all the fittings listed below:

A



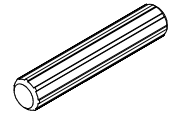
Peg M6\*35mm x23

B



Lock x23

C



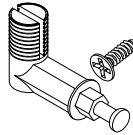
Dowel M6\*30mm x12

D



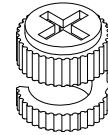
Screw M3.5\*12mm x9

E



Peg M6\*35mm x8

F



Lock x8

G



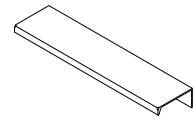
Back buckle x12

H



Screw M3\*14mm x12

I



Handle x3

J



Screw M3\*12mm x30

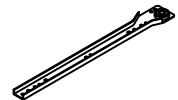
K



Drawer Runner x3

CL

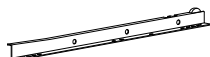
L



Drawer Runner x3

CR

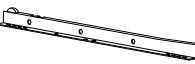
M



Drawer Runner x3

DL

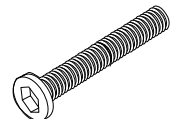
N



Drawer Runner x3

DR

O



Bolt M6\*50mm x4

P



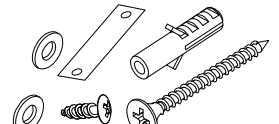
Felt Mat x4

Q



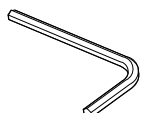
Screw M4\*30mm x15

R



Anti-tipping assembly x2

S



Allen Wrench x1

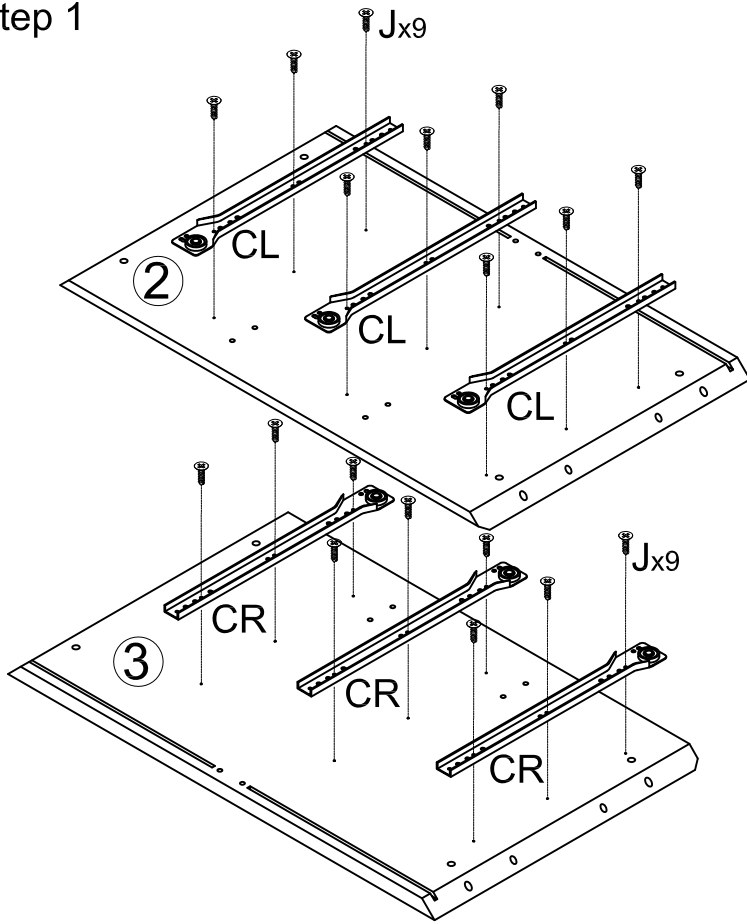
**TOOLS NEEDED**

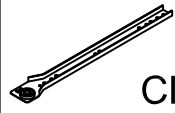
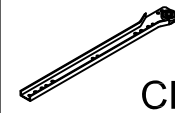
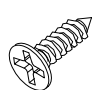



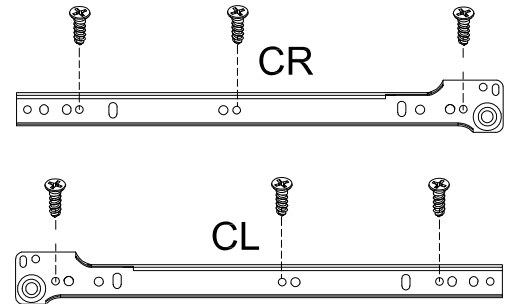
**Phillips Screwdriver x1**

# ASSEMBLY INSTRUCTIONS

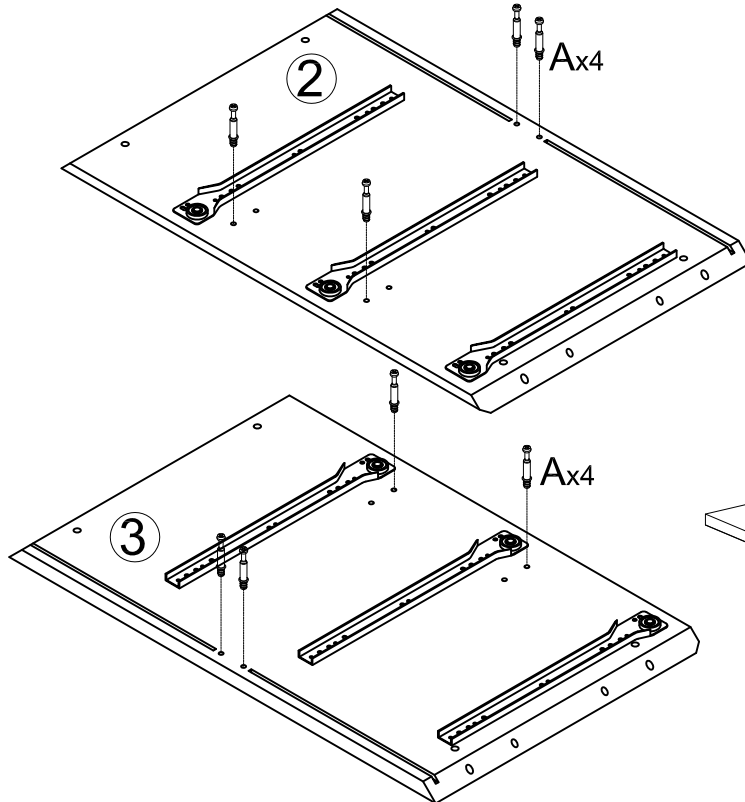
## Step 1

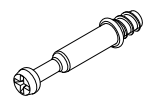



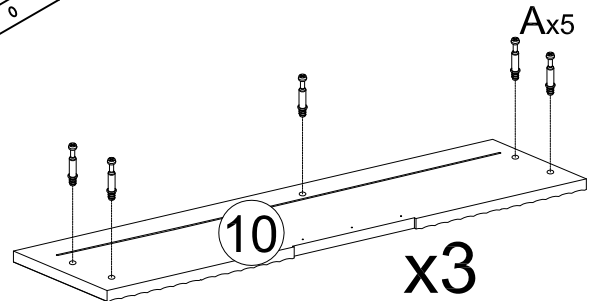
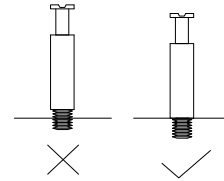
K		CL	3	
L		CR	3	
J			18	



## Step 2

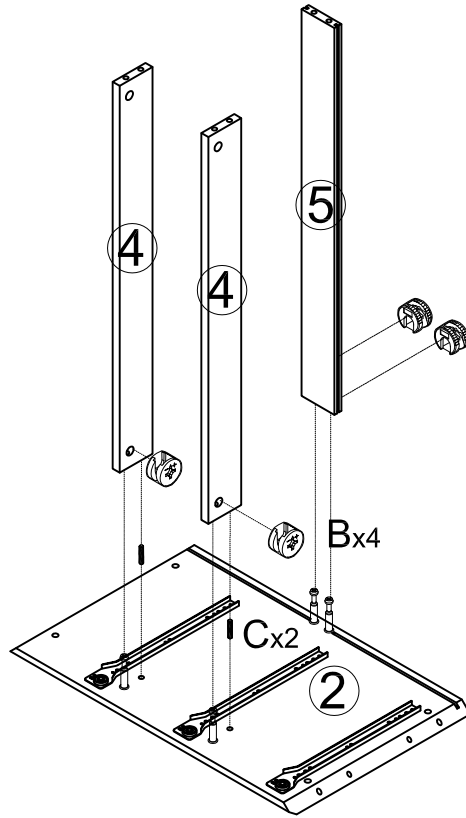




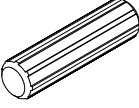
A			23	
---	---	--	----	---

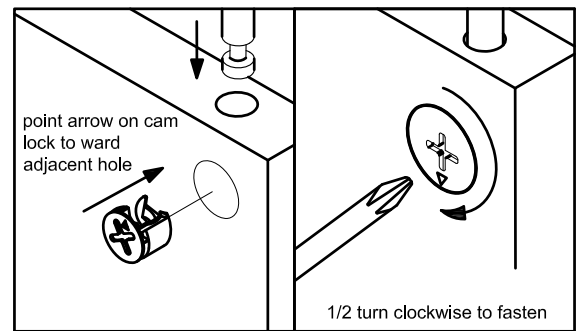


# ASSEMBLY INSTRUCTIONS

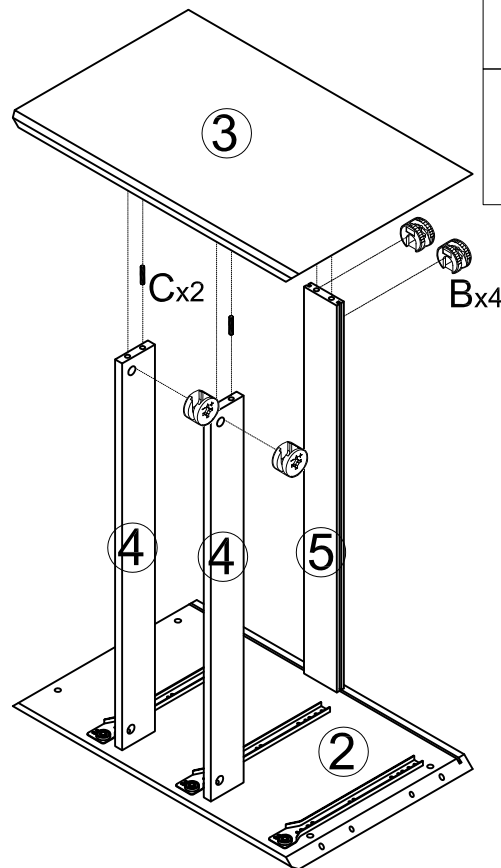
## Step 3



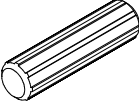


B		4	
C		2	



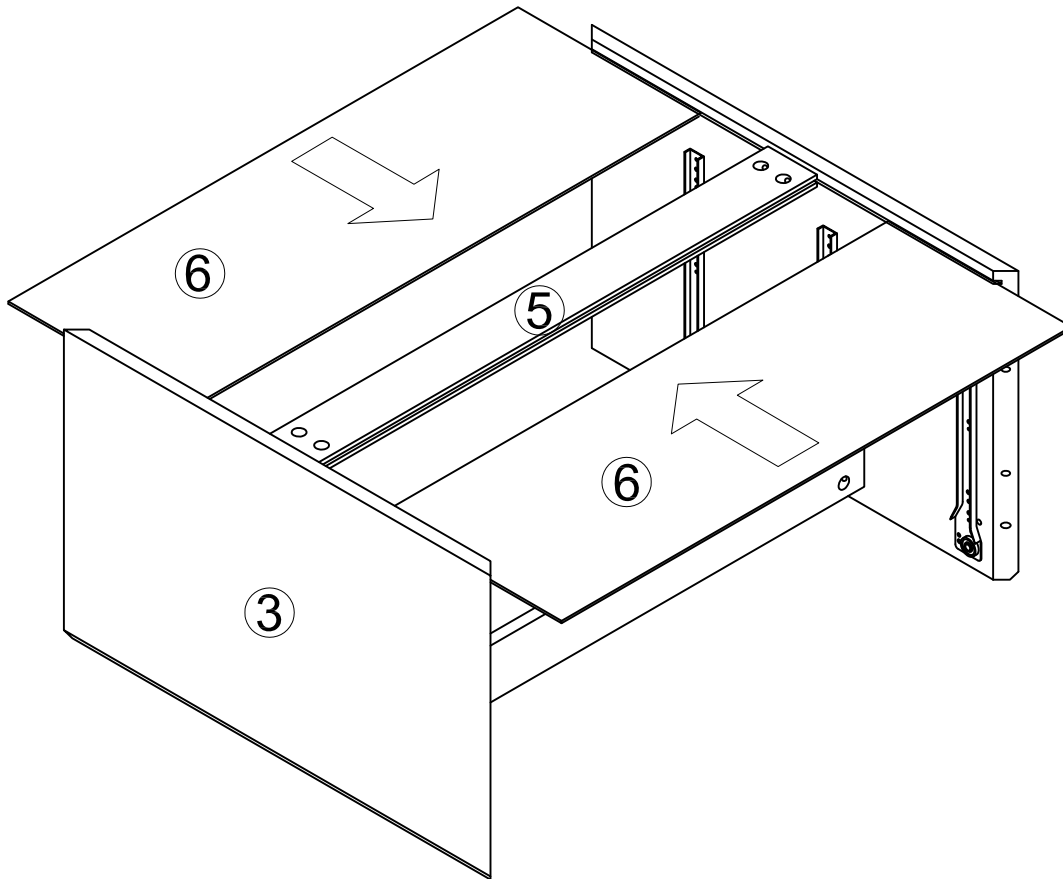
## Step 4



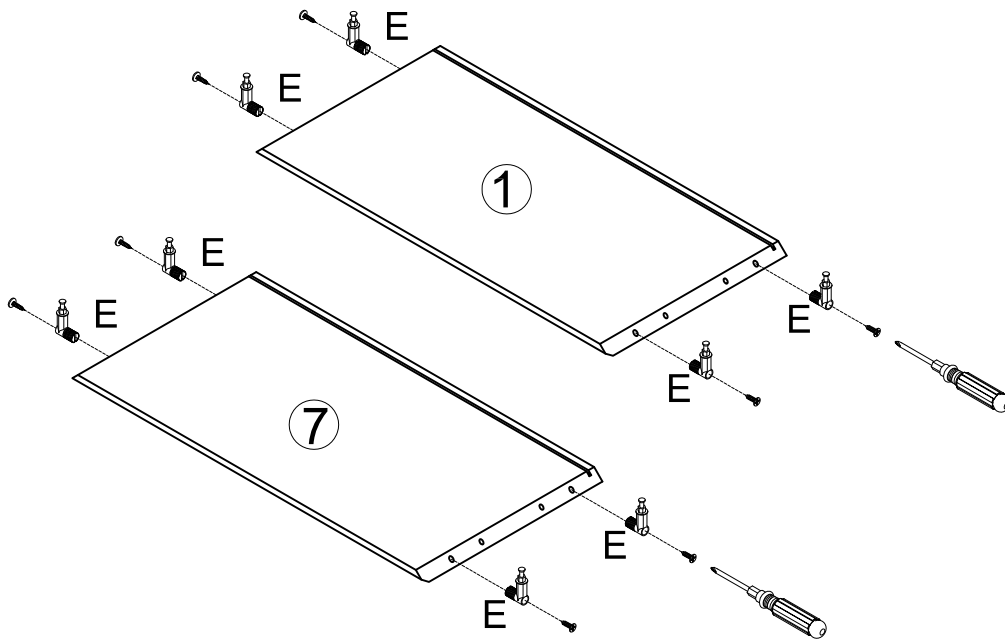
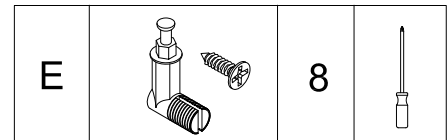
B		4	
C		2	

# ASSEMBLY INSTRUCTIONS

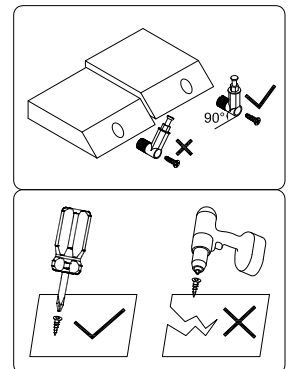
## Step 5



## Step 6

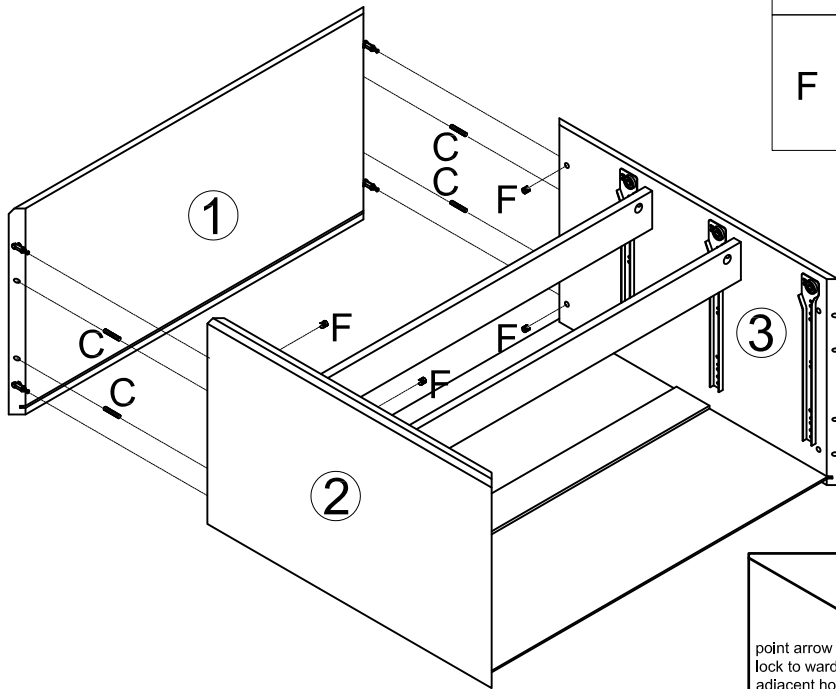


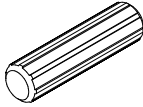


**Warning:**  
Don't use power tools when screwing.  
Ensure pegs straight when screwing.

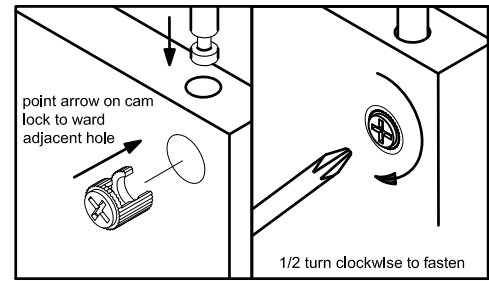


# ASSEMBLY INSTRUCTIONS

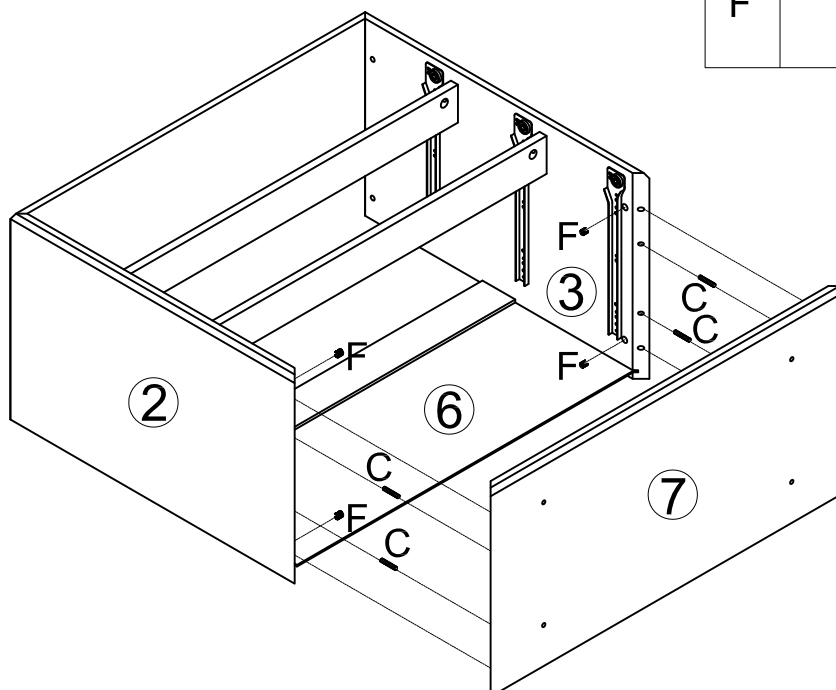
## Step 7

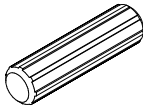
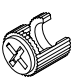



C		4	
F		4	



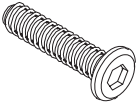
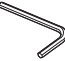
## Step 8

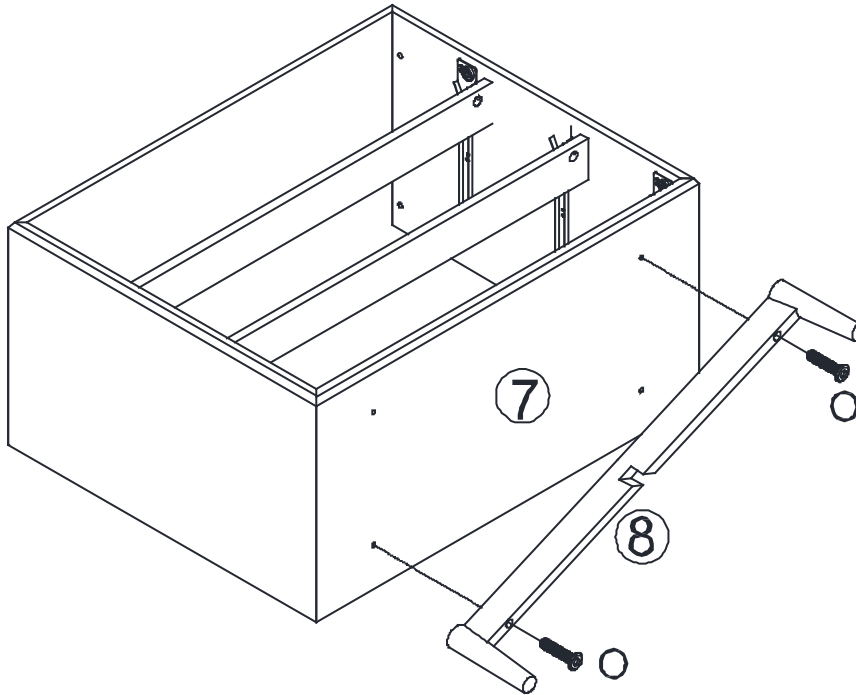


C		4	
F		4	

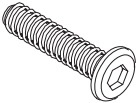
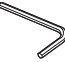

# ASSEMBLY INSTRUCTIONS

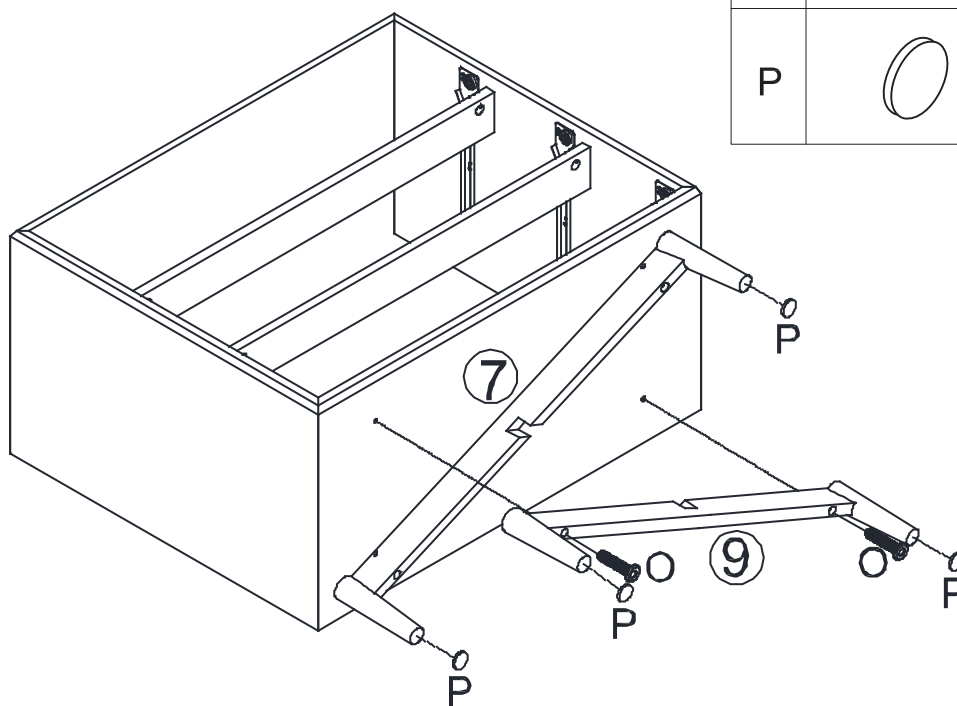
Step 9

O		2	
---	---	---	---



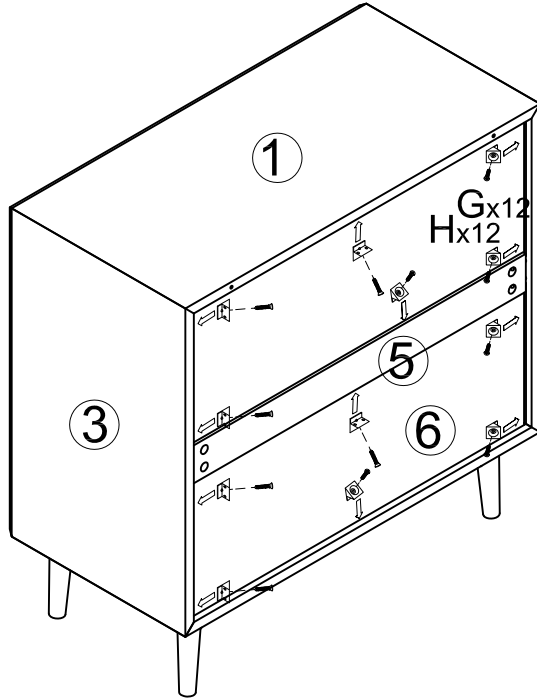
Step 10

O		2	
P		4	

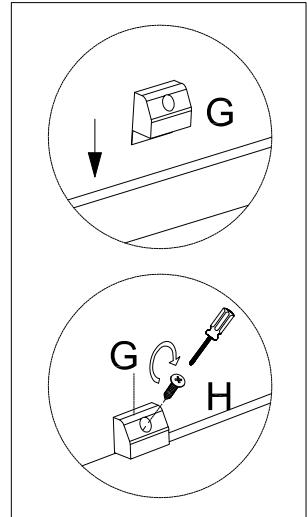


# ASSEMBLY INSTRUCTIONS

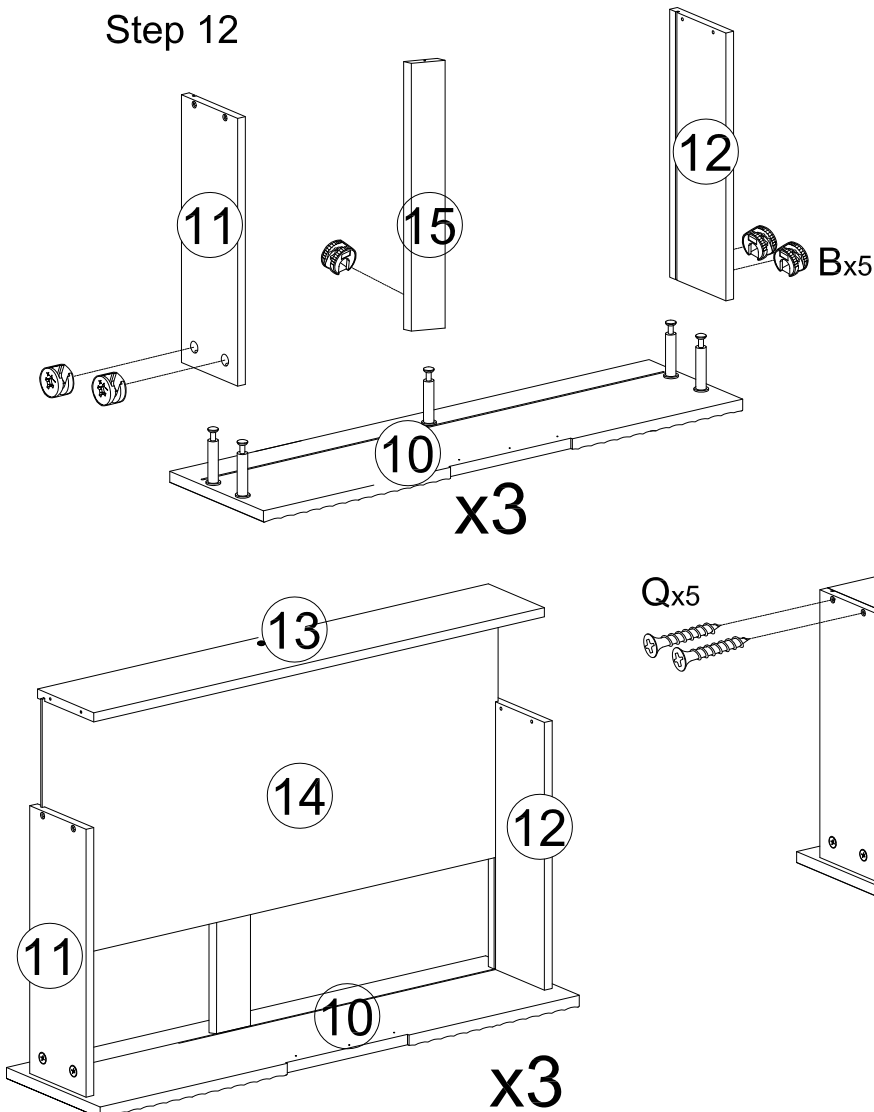
## Step 11



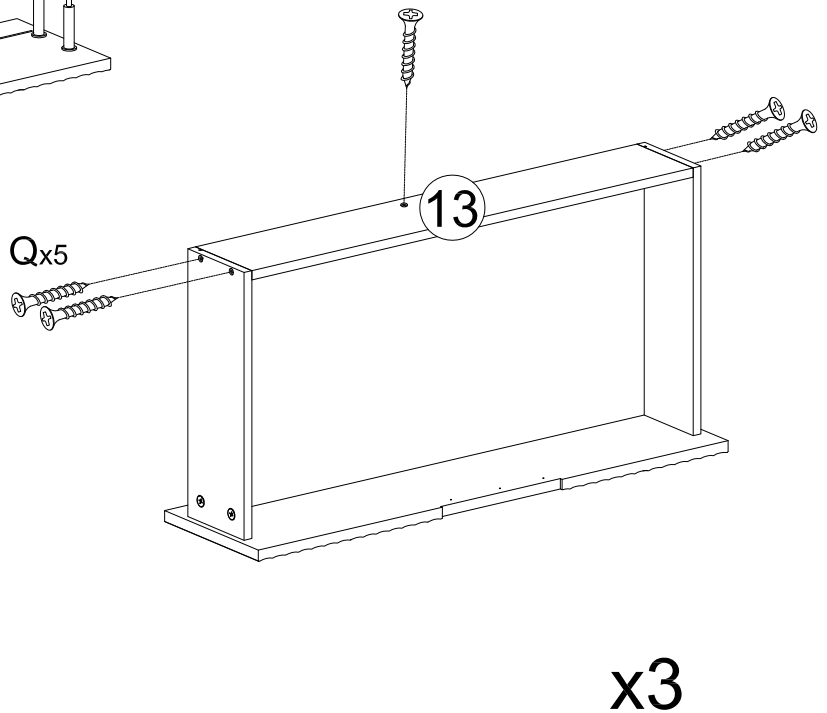
G		12	
H		12	



## Step 12

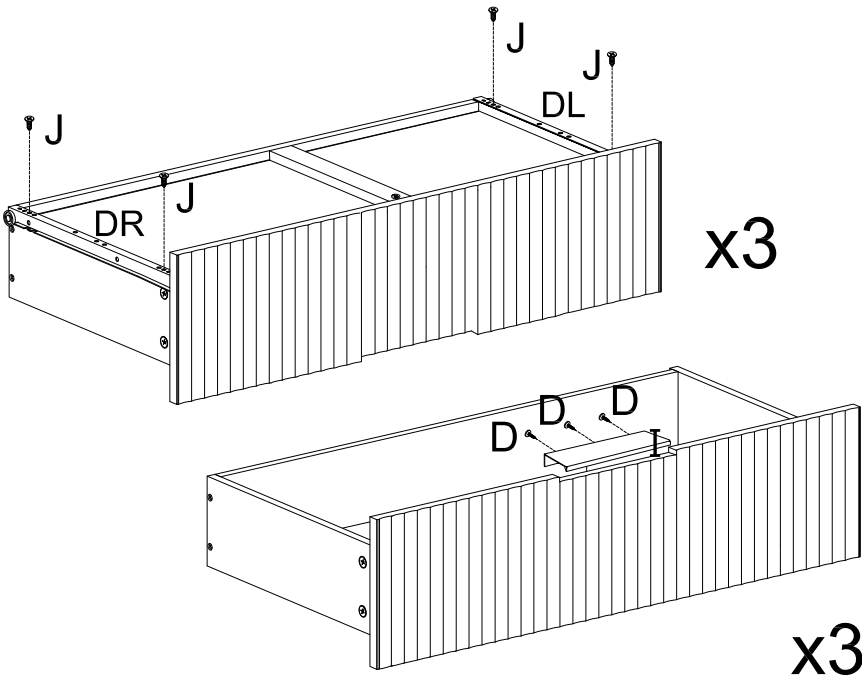
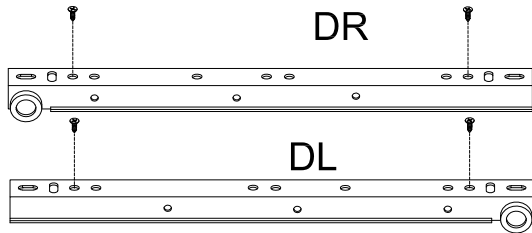


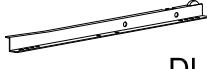

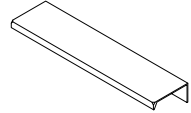




B		15	
Q		15	



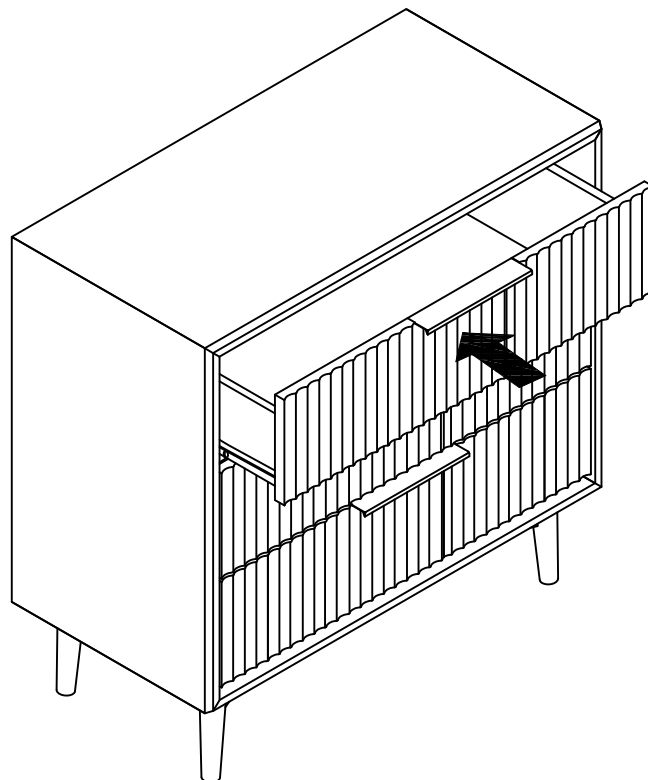
# ASSEMBLY INSTRUCTIONS

Step 13



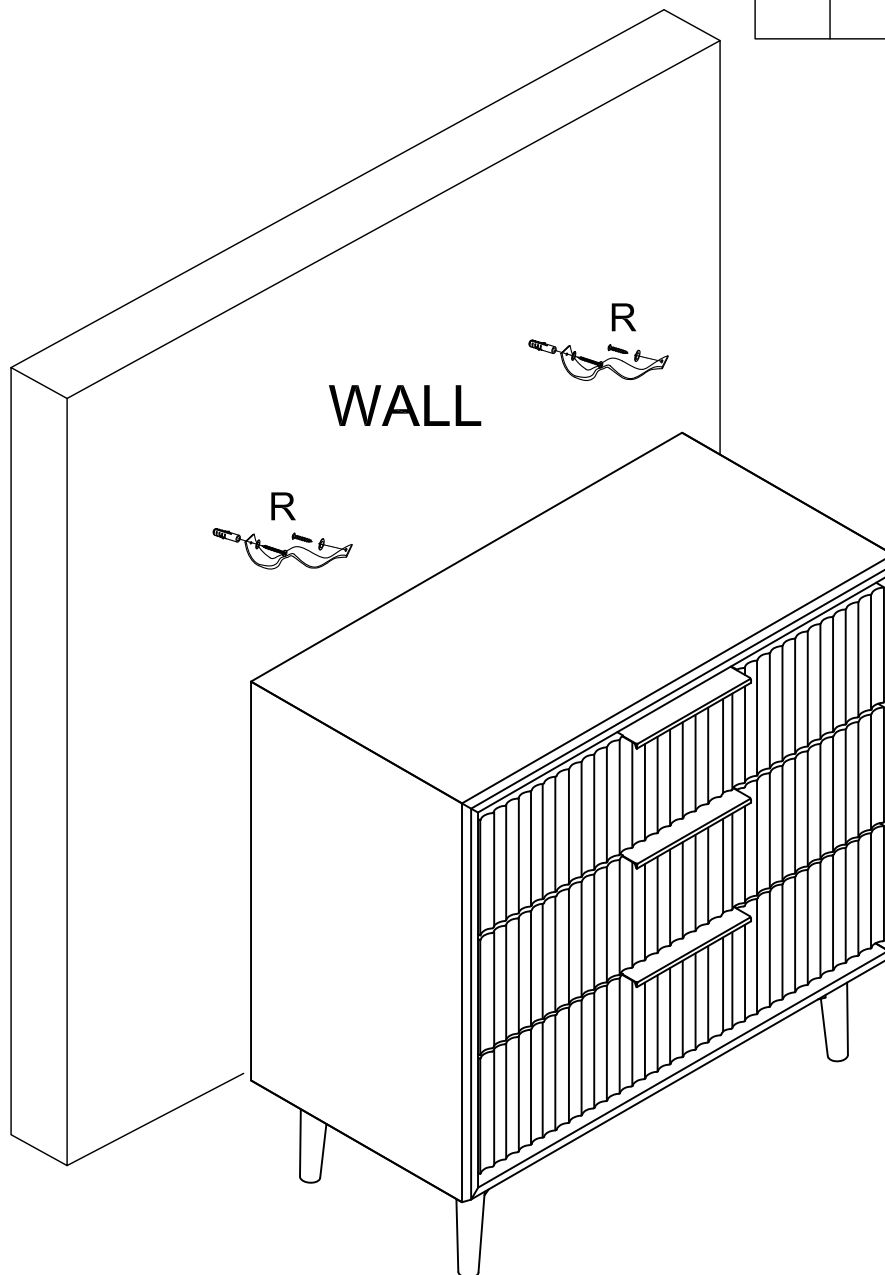
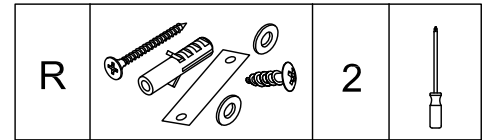
M	 DL	3	
N	 DR	3	
I		3	
D		9	
J		12	

Step 14



# ASSEMBLY INSTRUCTIONS

Step 15

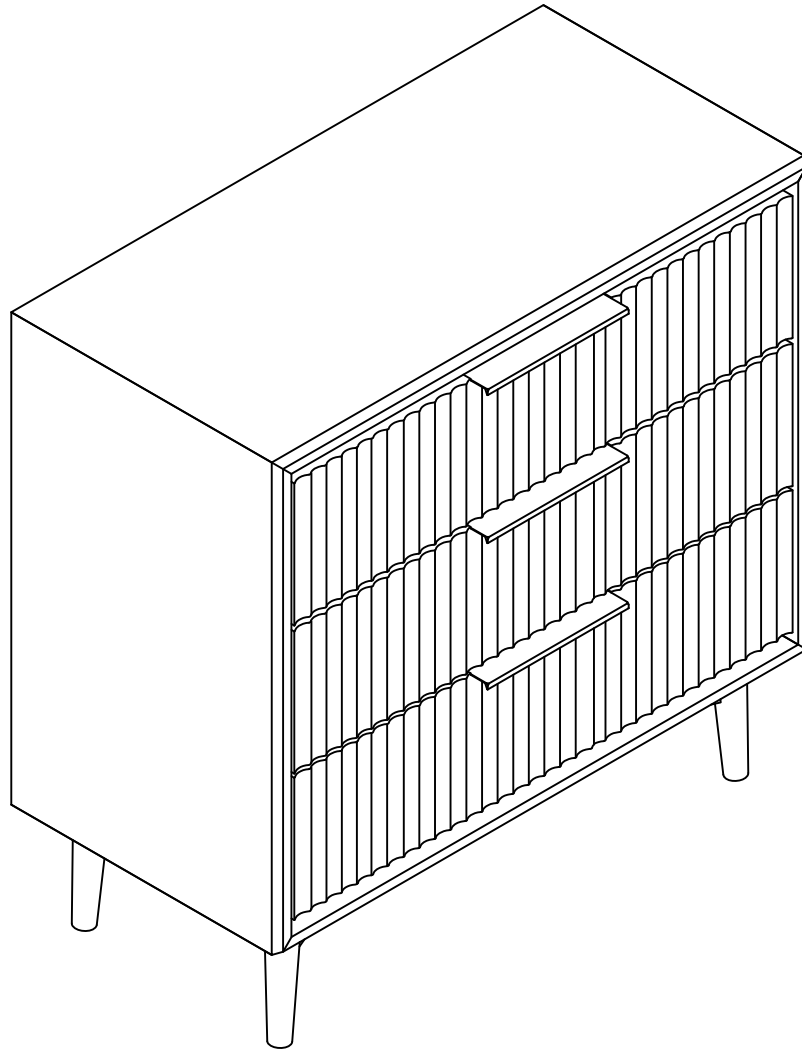


## Warning !

Wall Plug and screws are not provided.  
If you are in any doubt about the  
correct fixings for your wall,  
seek professional advice.

# ASSEMBLY INSTRUCTIONS

---



Congratulations.  
Now you have finished assembling the product.