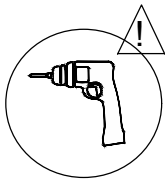
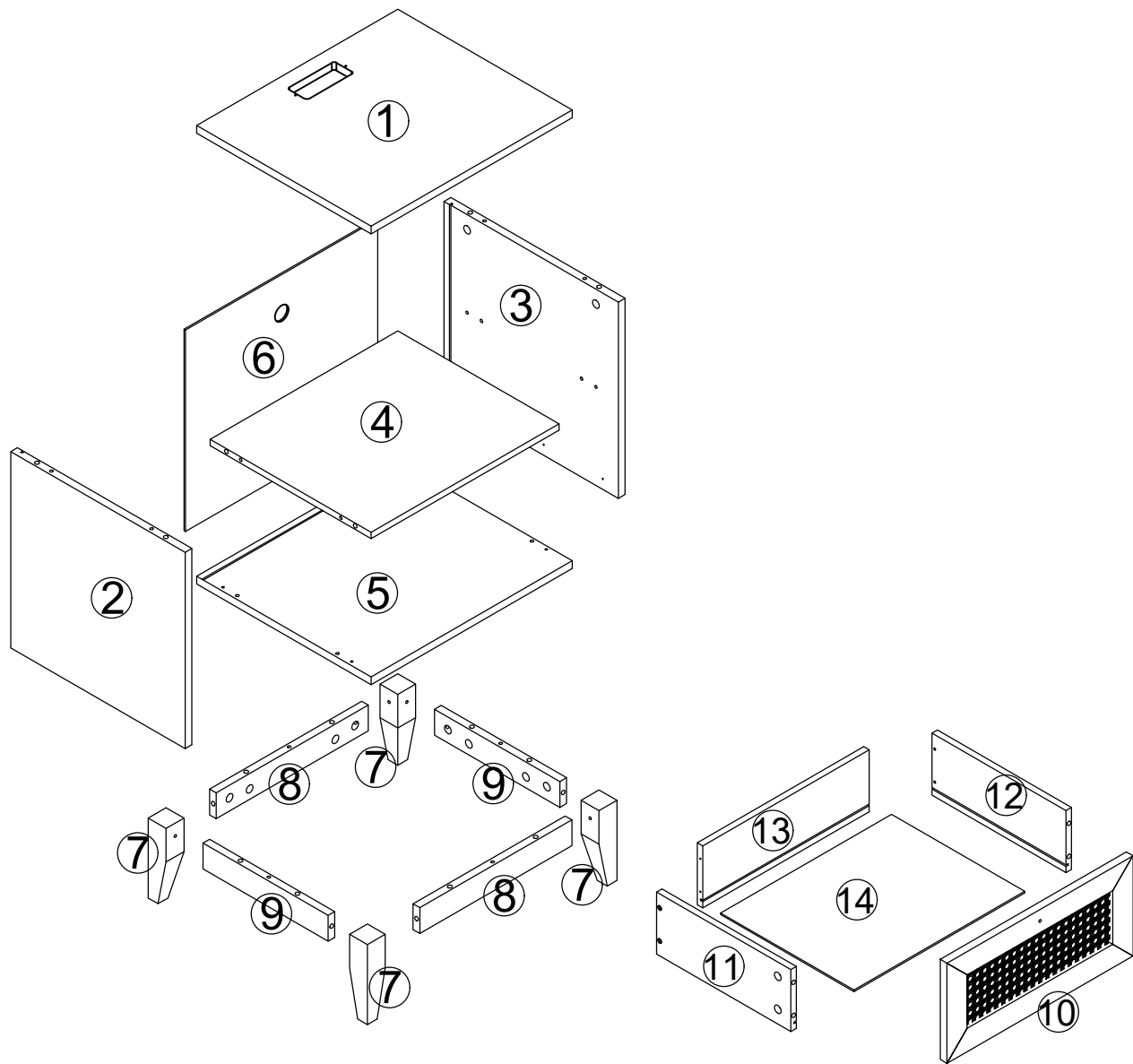


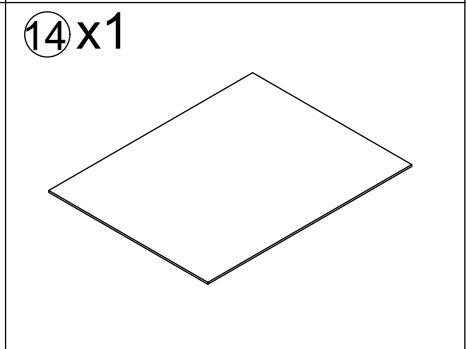
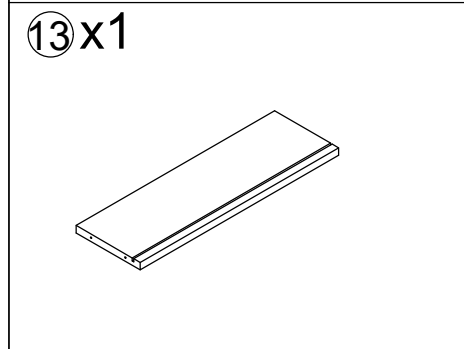
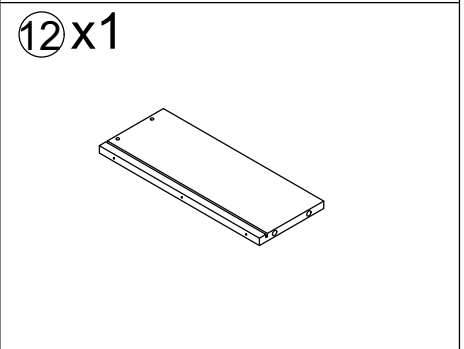
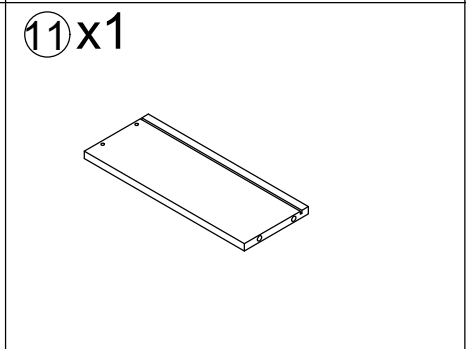
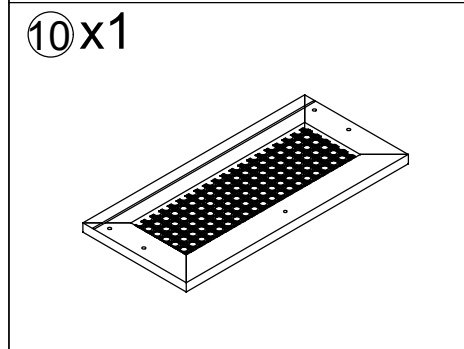
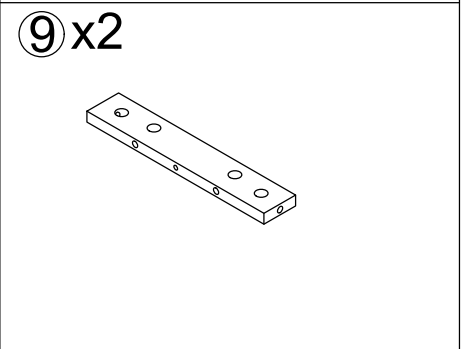
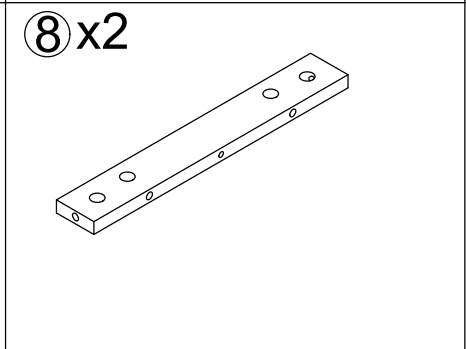
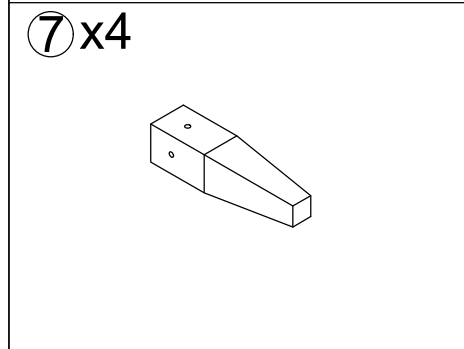
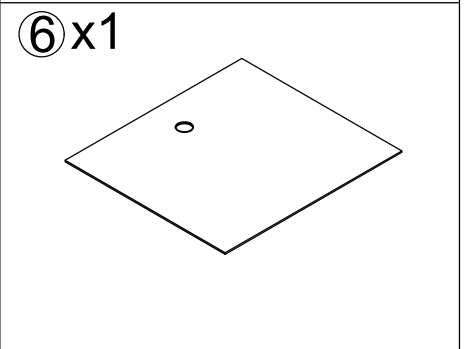
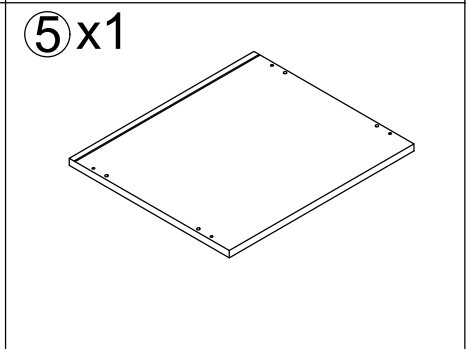
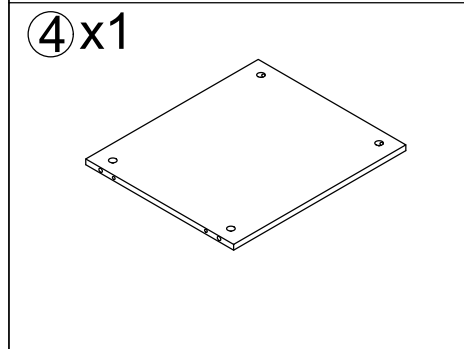
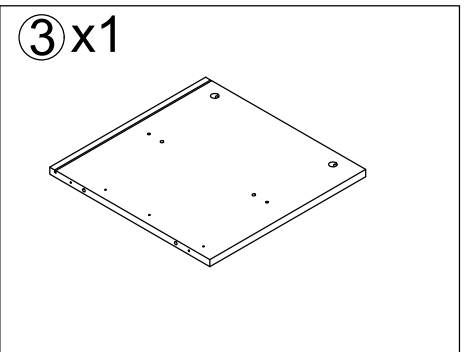
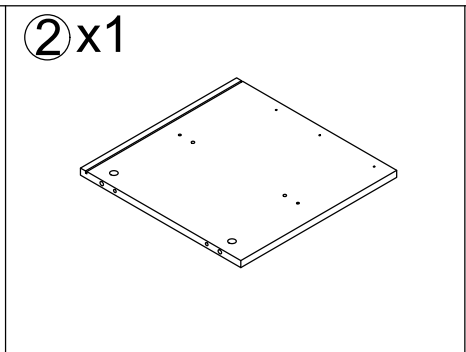
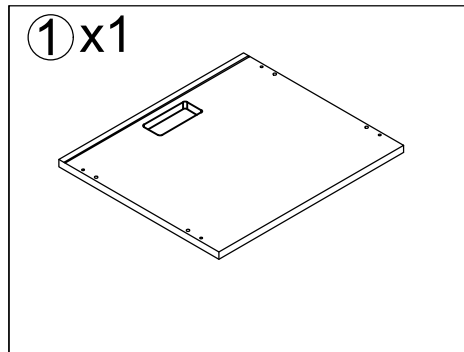
CAUTION:When tightening the screws,tighten sequentially.Do not tighten any screws fully and then towards the next one.When every part is OK, then tighten all the screws.



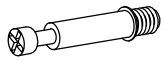
PLEASE BE CAREFUL DO NOT DAMAGE THE HOLE POSITION WHEN YOU USE POWER TOOLS !

If there are any missing parts, please contact us and we will send you the corresponding replacement part. We also offer an exclusive one-month service where we provide product replacements without the need for repairs, as long as the damage is not caused by human error.





A X28(+2)



Ø6x35mm

B X28(+2)



Ø15x10mm

C X16(+1)



Ø6x30mm

D X12(+1)



Ø3x12mm

E X9(+1)



Ø4x35mm

F X4

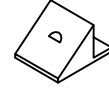


G X4(+1)



Ø3x16mm

H X4(+1)



I X1



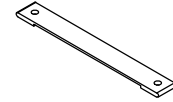
J X1



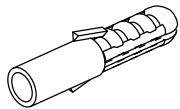
L X1



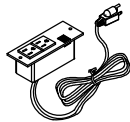
M X1



O X1



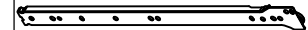
P X1



Q X2



CL X1



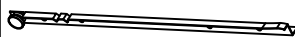
L300mm

CR X1



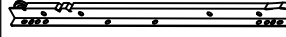
L300mm

DL X1



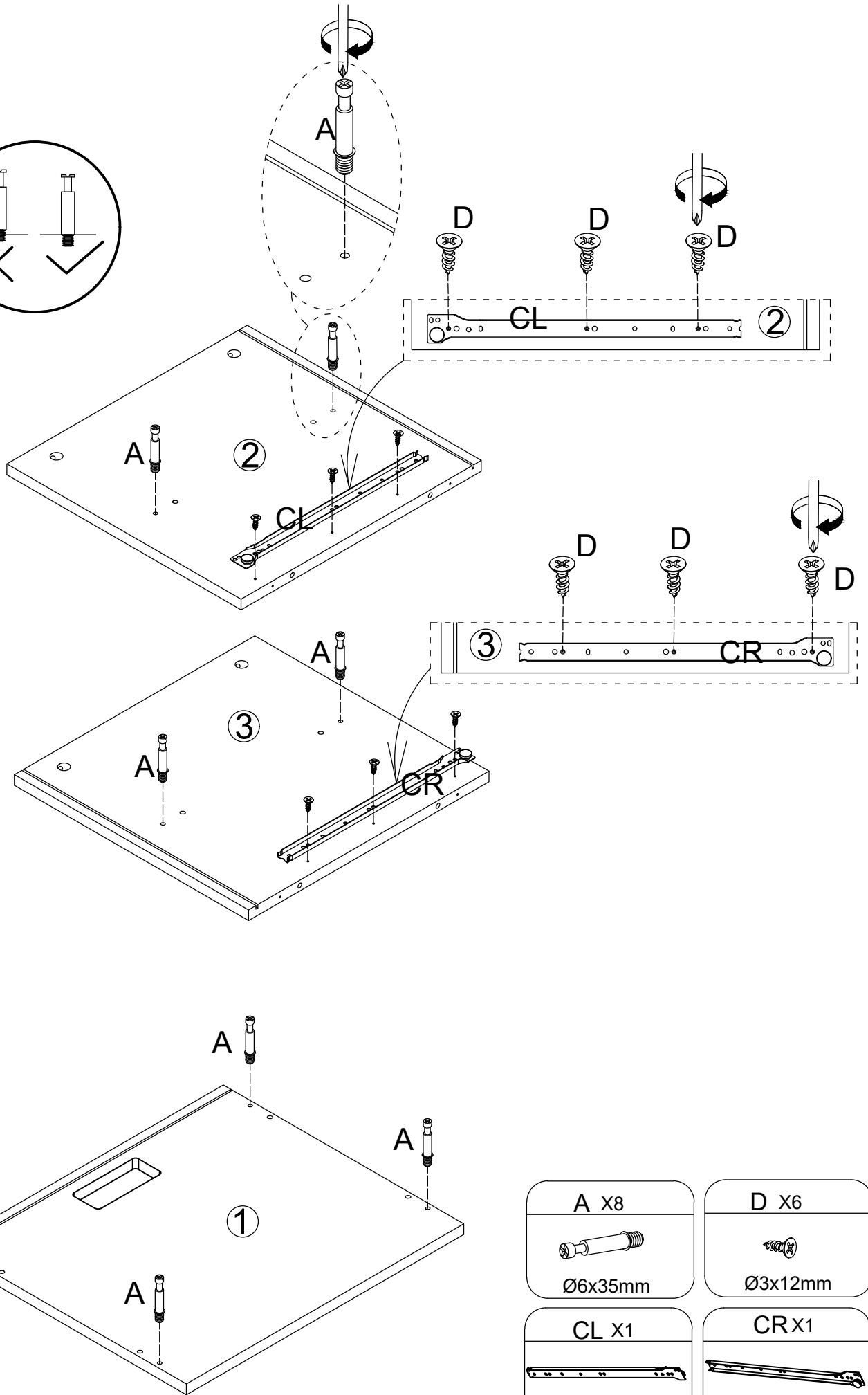
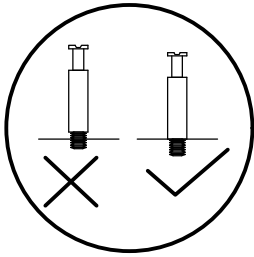
L300mm

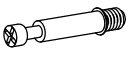
DR X1





L300mm


1

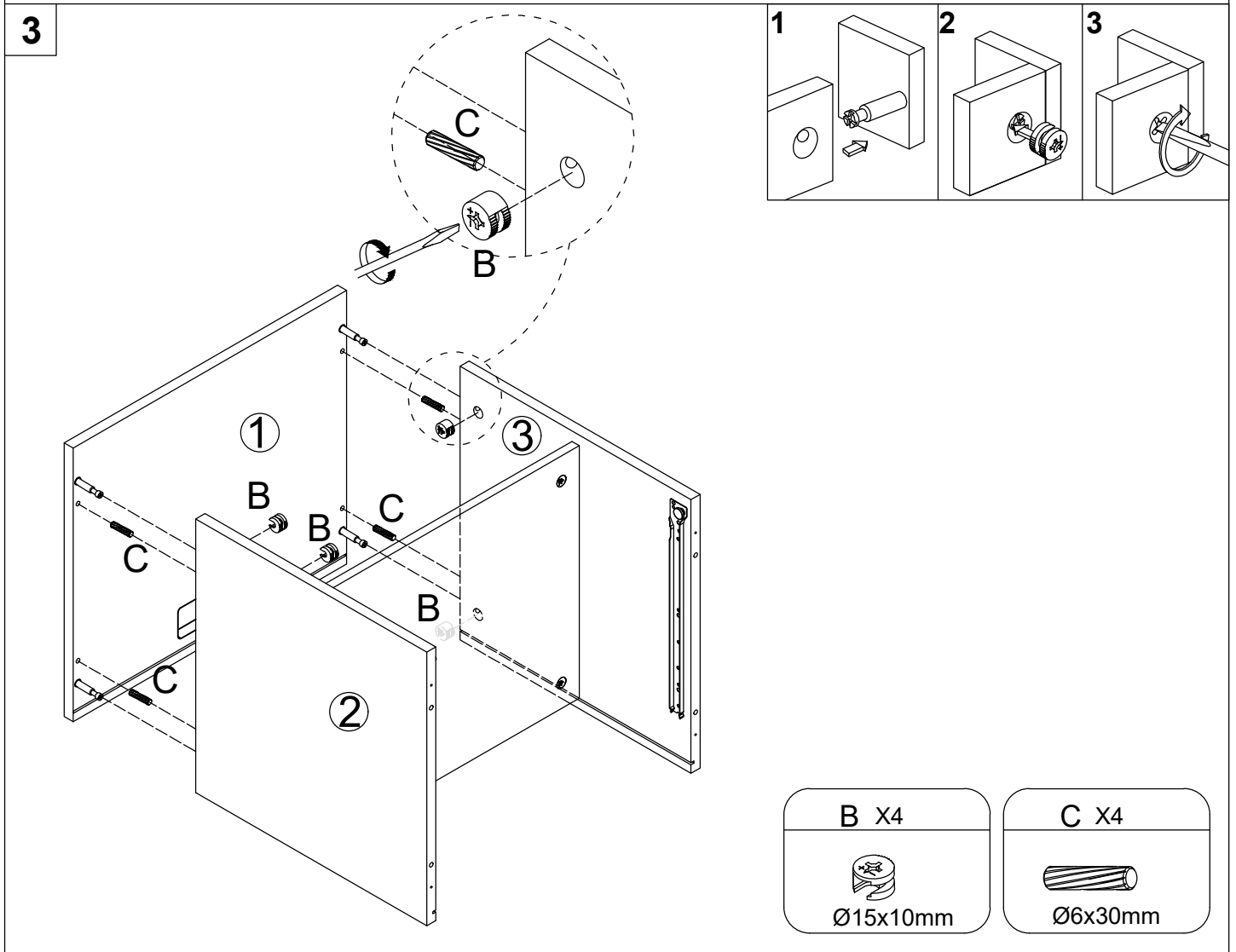
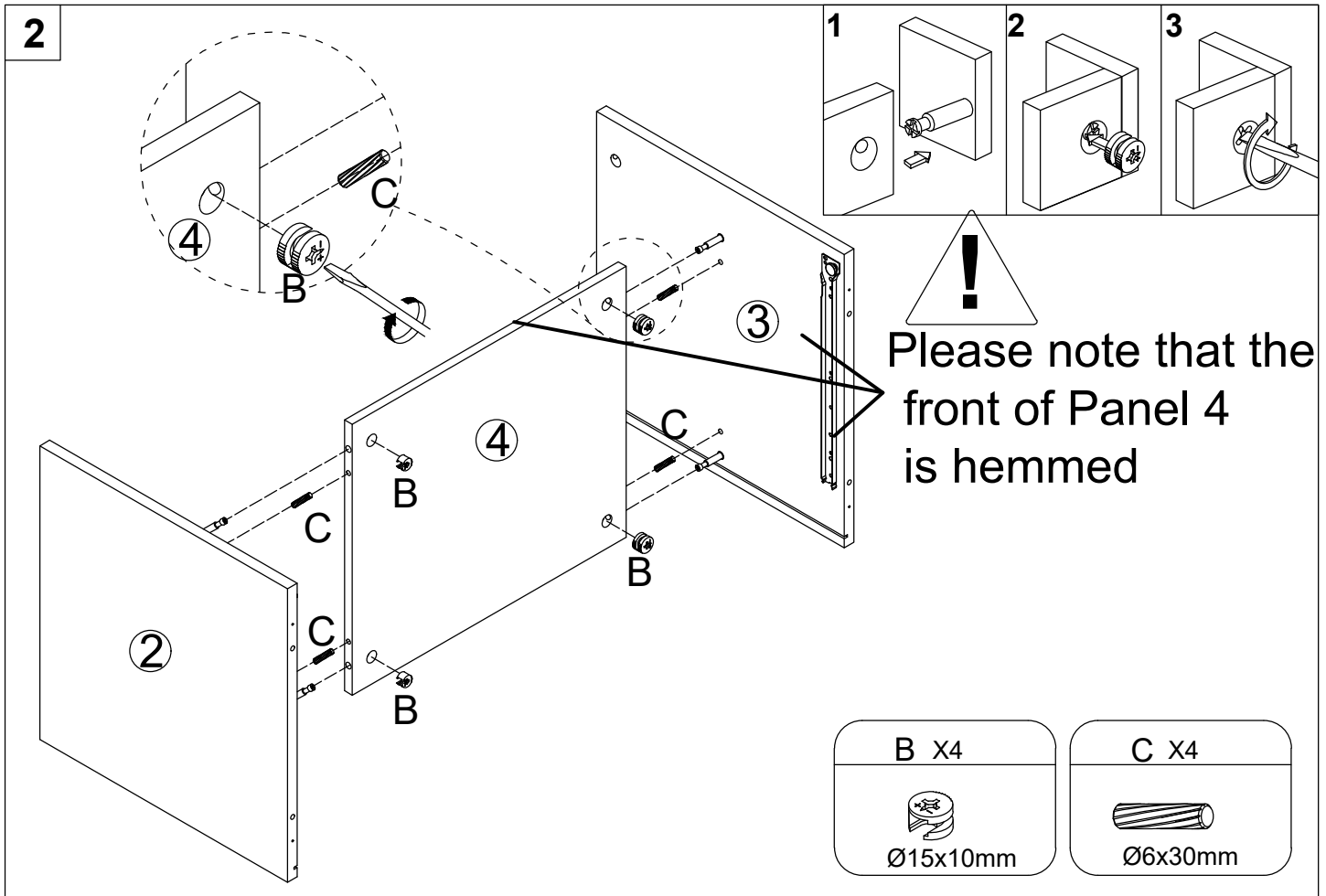


A X8

Ø6x35mm

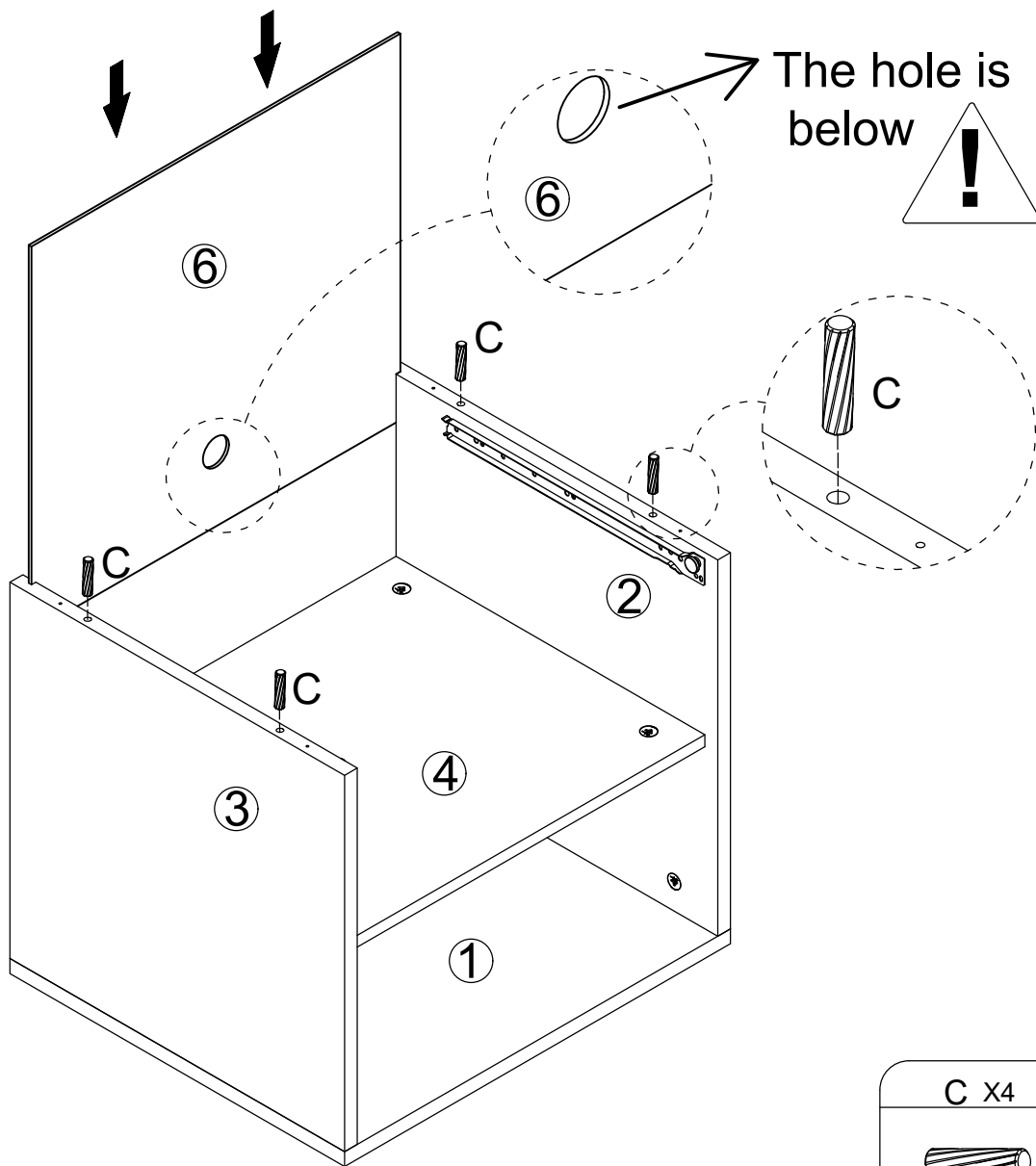
D X6

Ø3x12mm


CL X1

L300mm

CR X1

L300mm

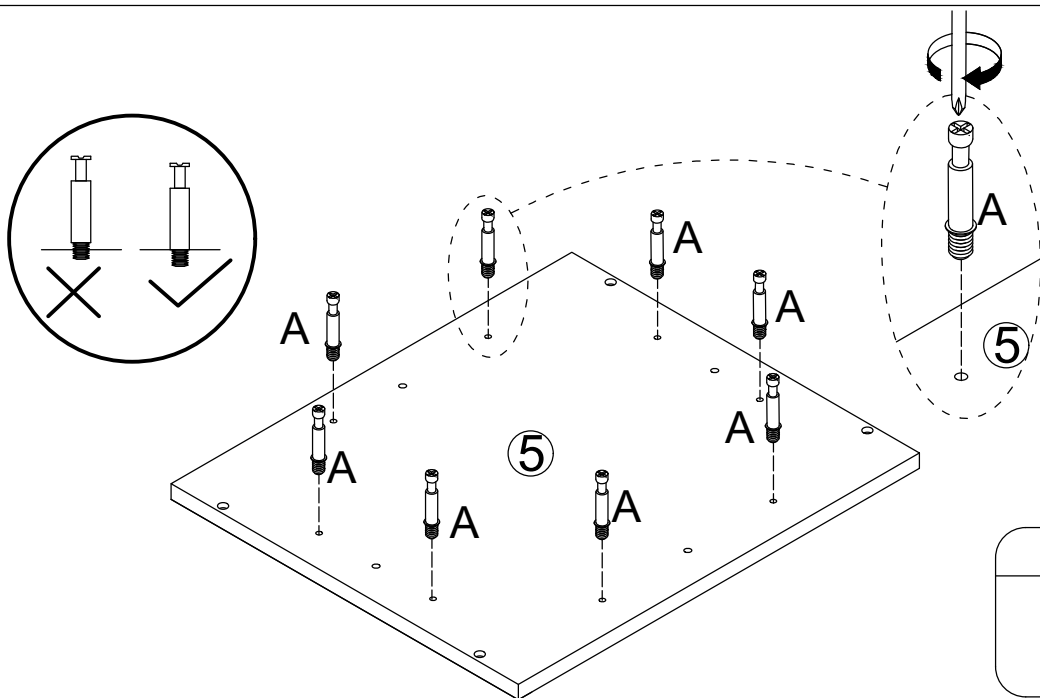



4



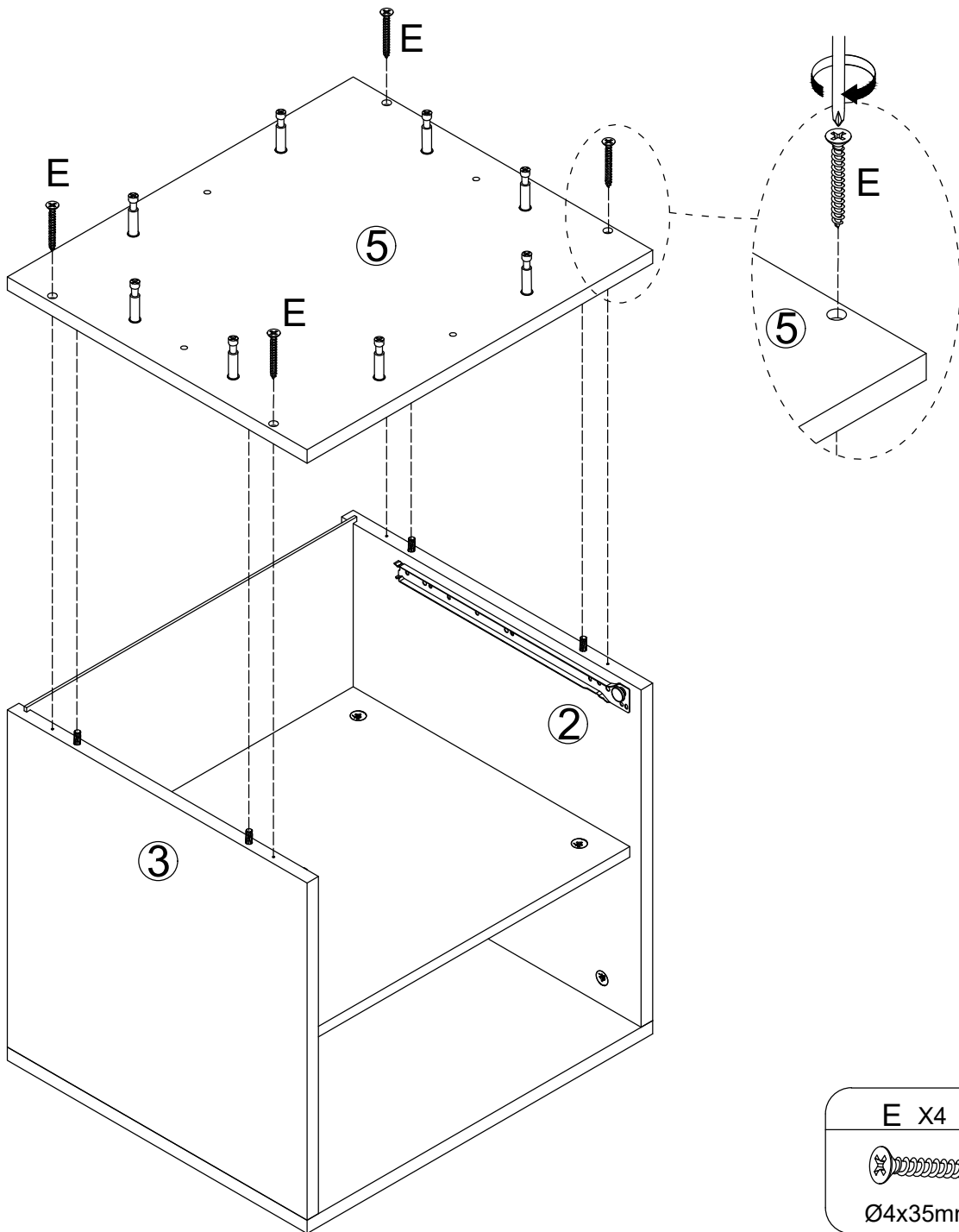
C X4

Ø6x30mm


5



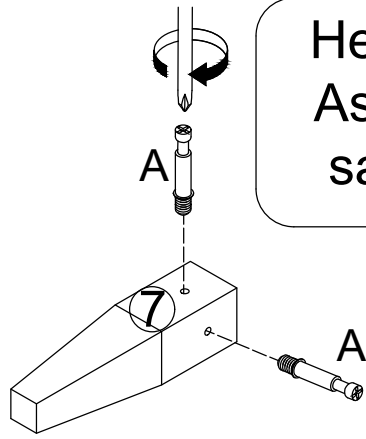
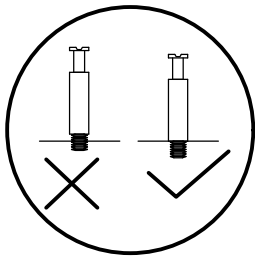
A X8

Ø6x35mm

6

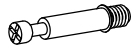


E X4

Ø4x35mm

7

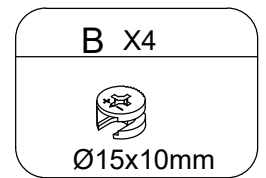
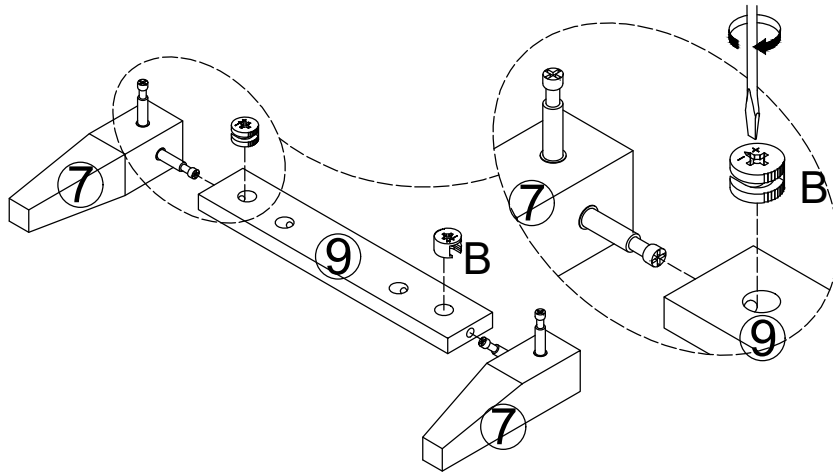
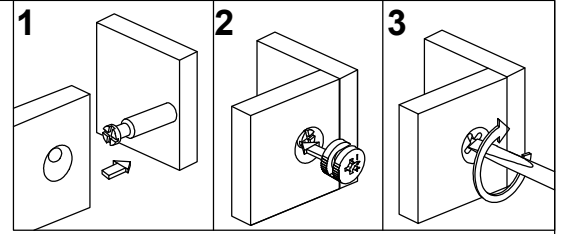


Here are 4 legs, Please Assemble 4 times in the same way

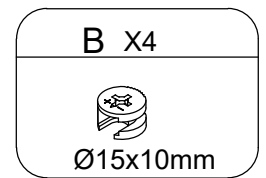
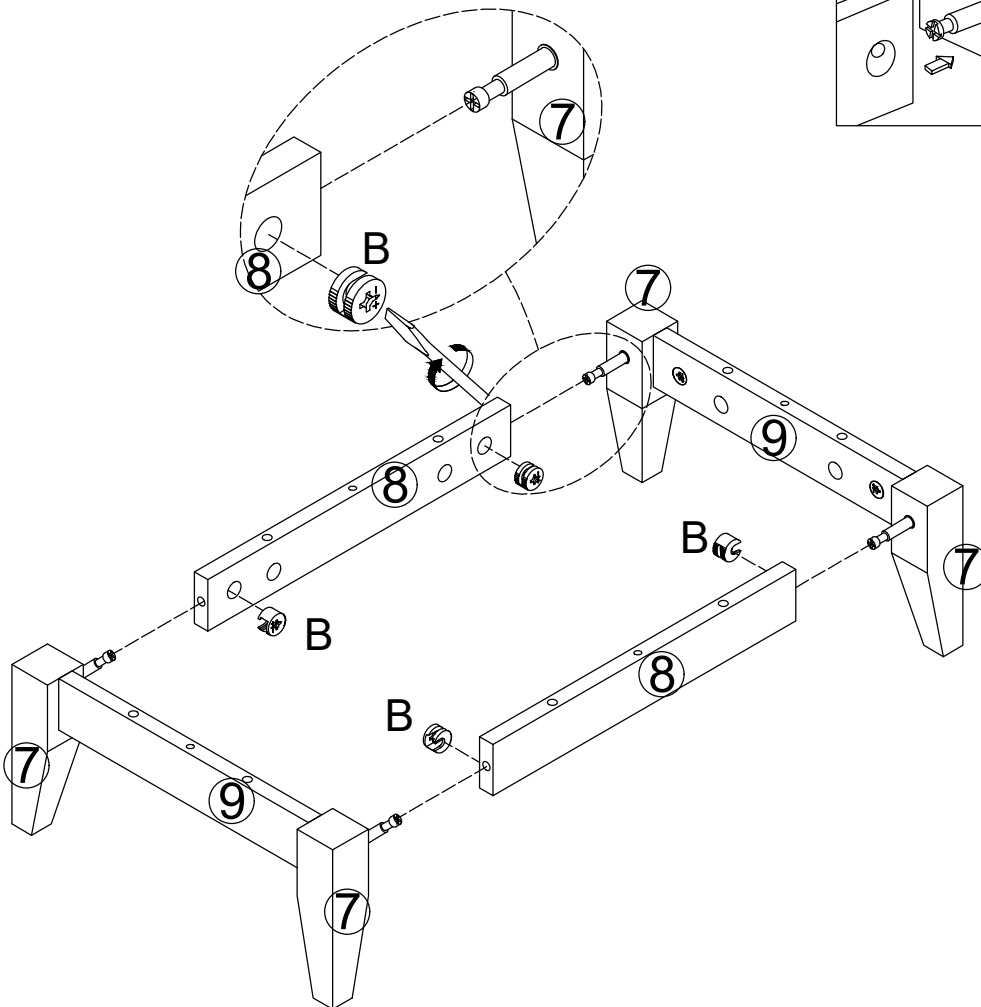
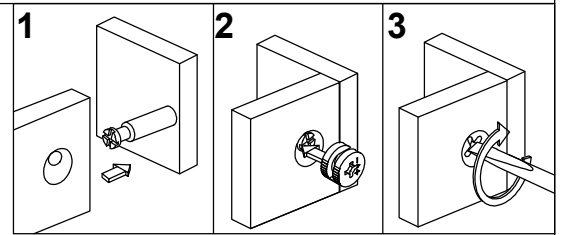
A X8

Ø6x35mm

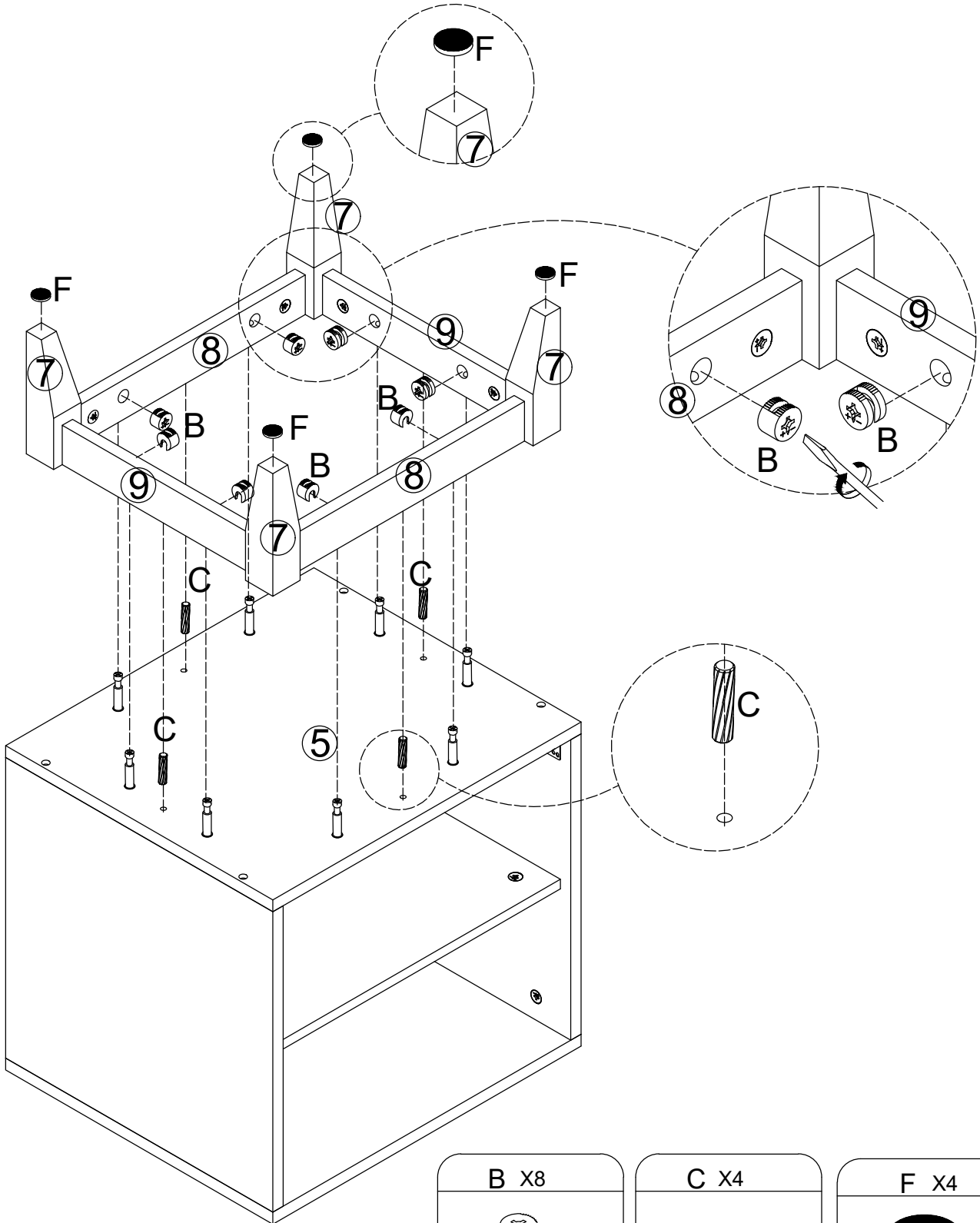
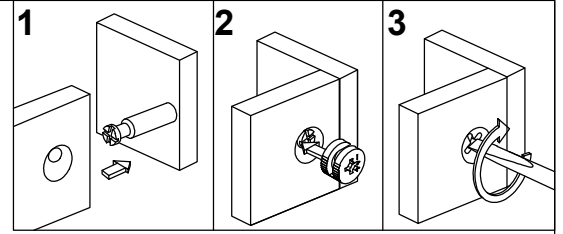
8

There are two lower foot frames, please assemble them in the same way twice



9



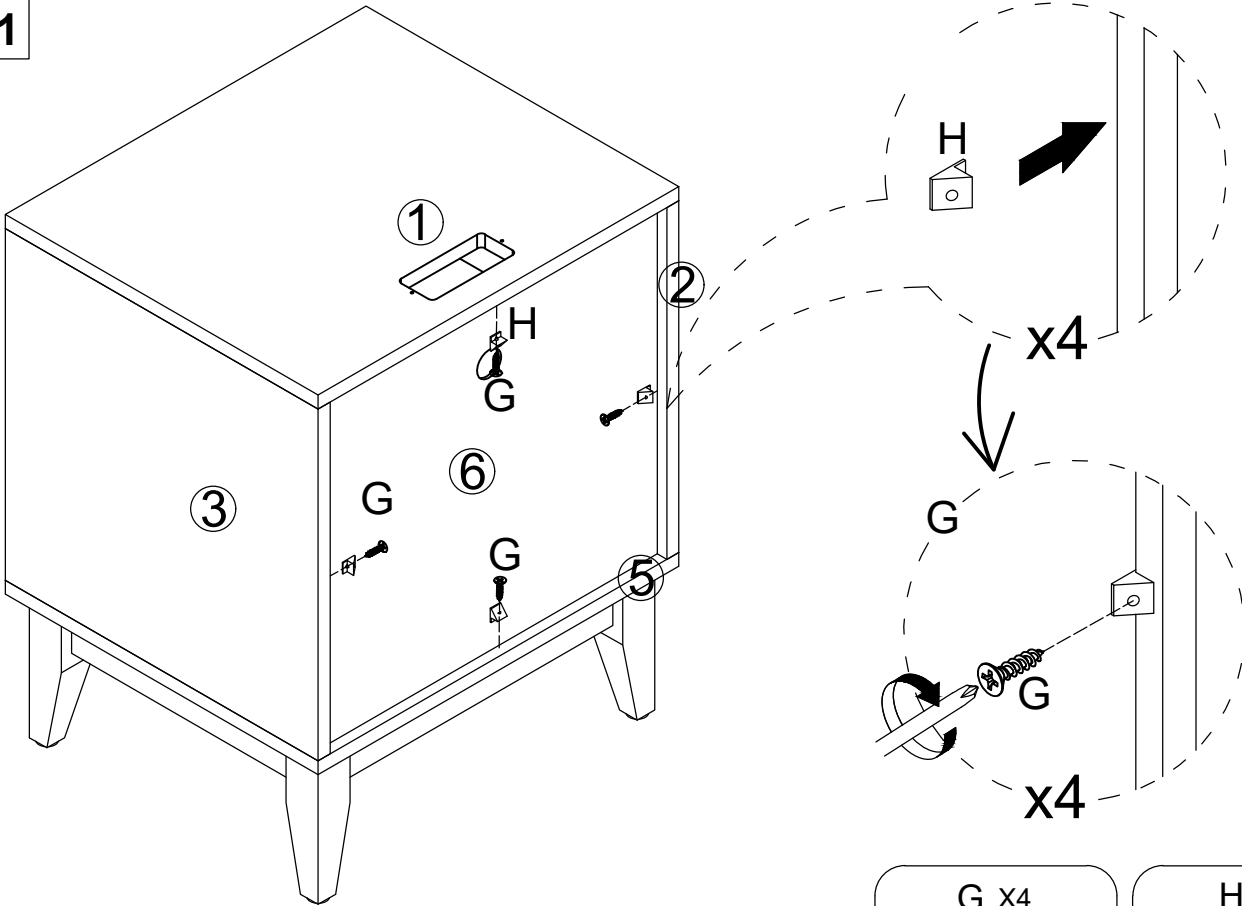



B X8
Ø15x10mm

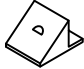
C X4
Ø6x30mm

F X4

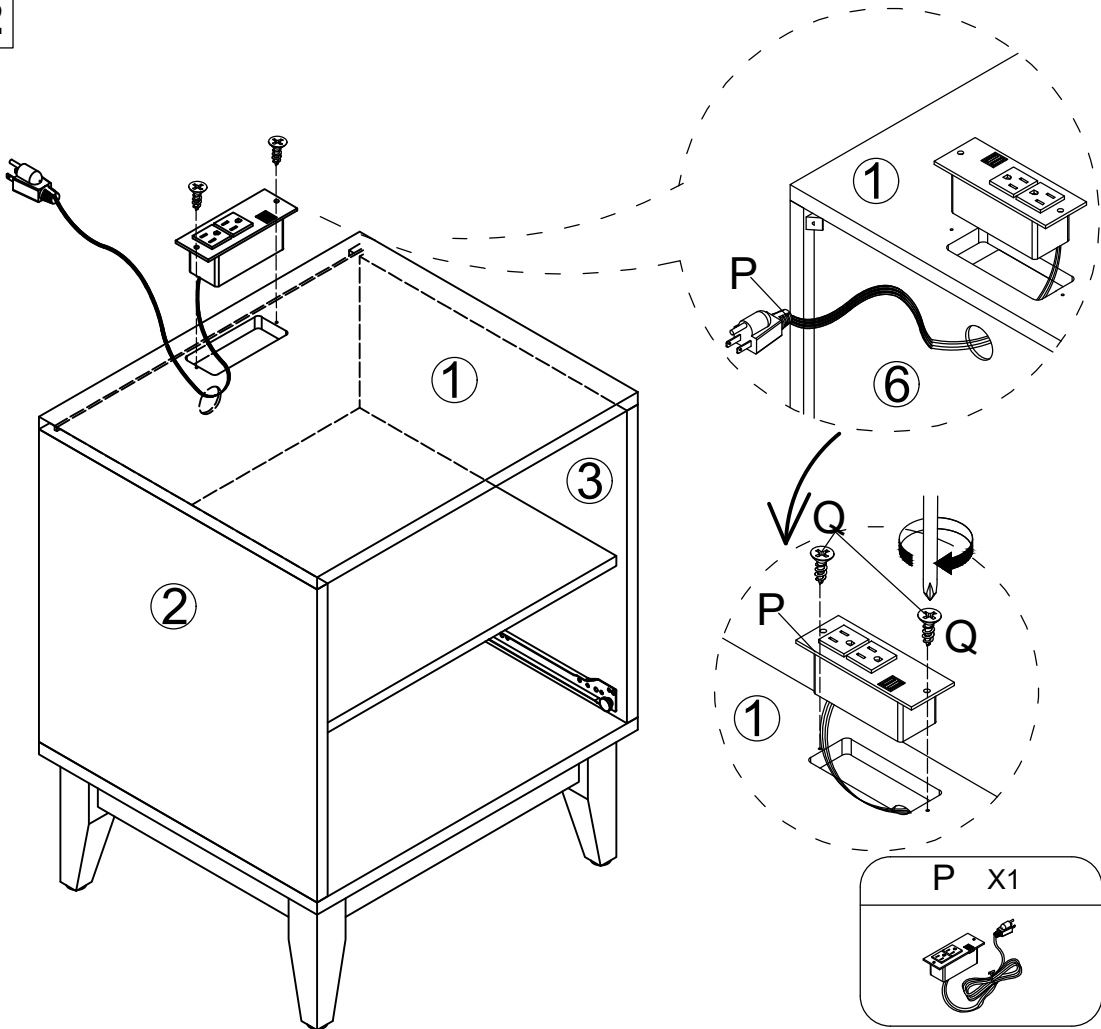
11





G X4

Ø3x16mm

H X4


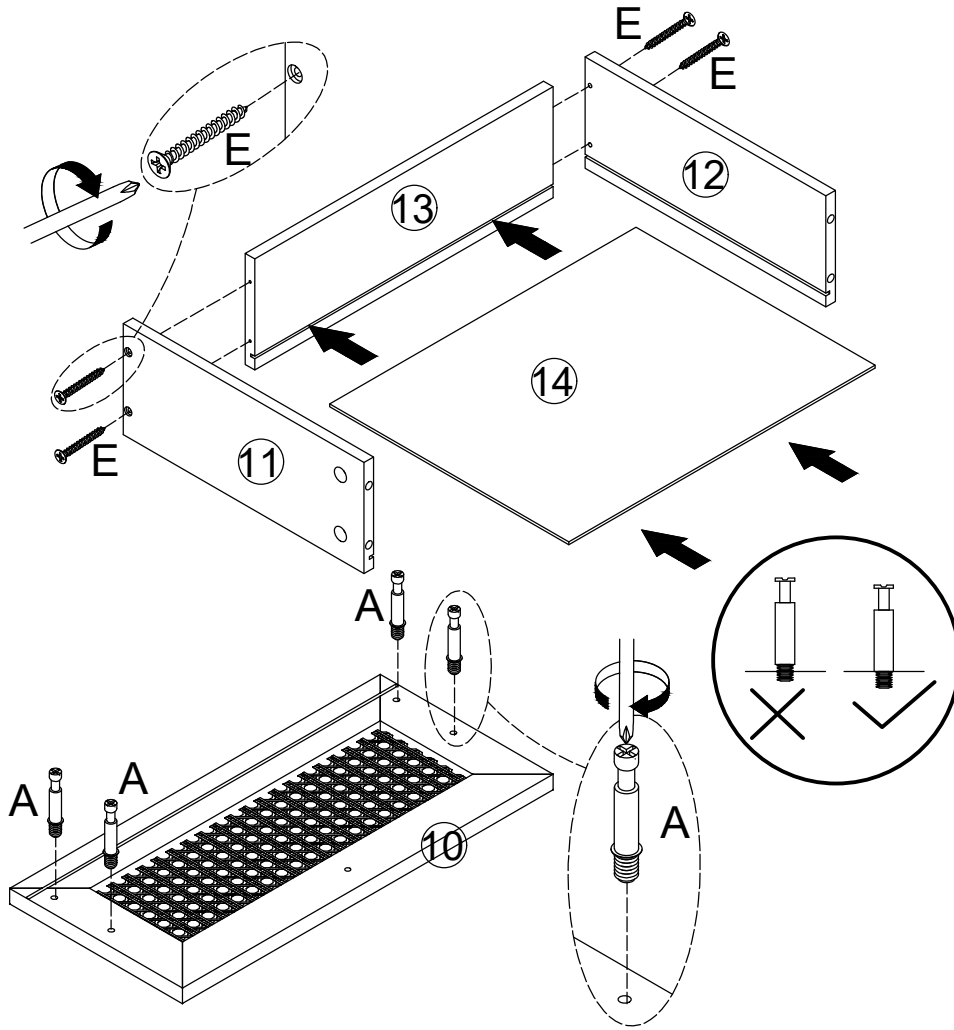
12



P X1


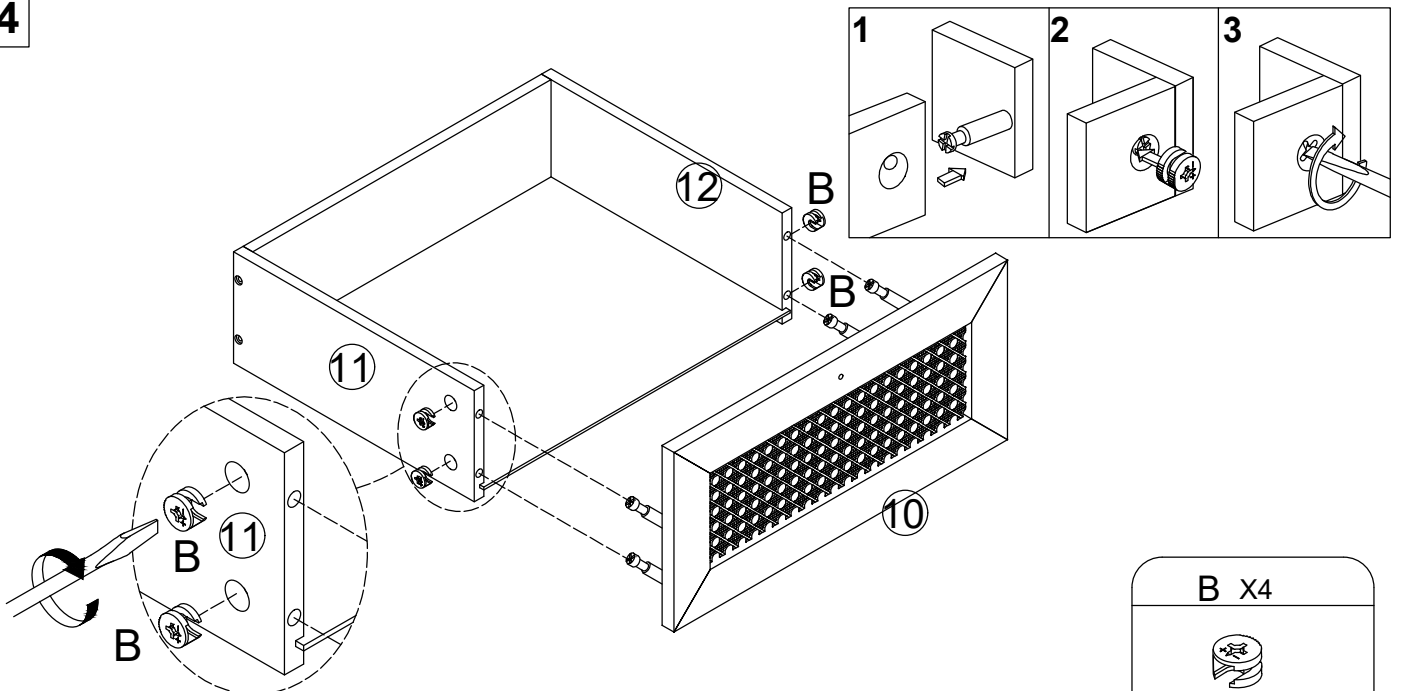
Q X2


13



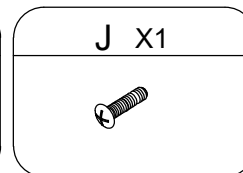
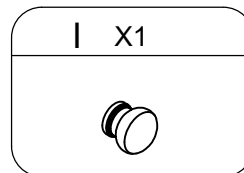
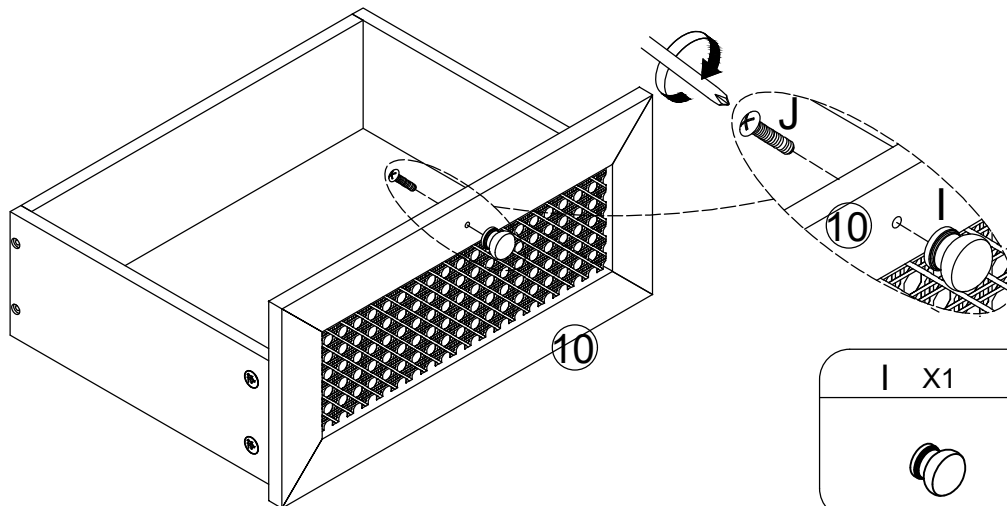
- A X4
Ø6x35mm
- E X4
Ø4x35mm

14

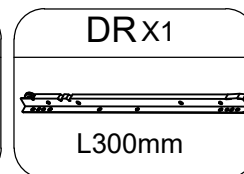
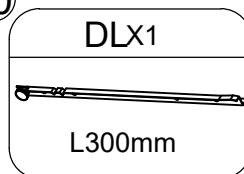
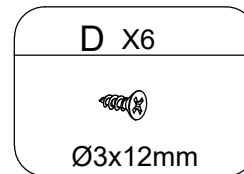
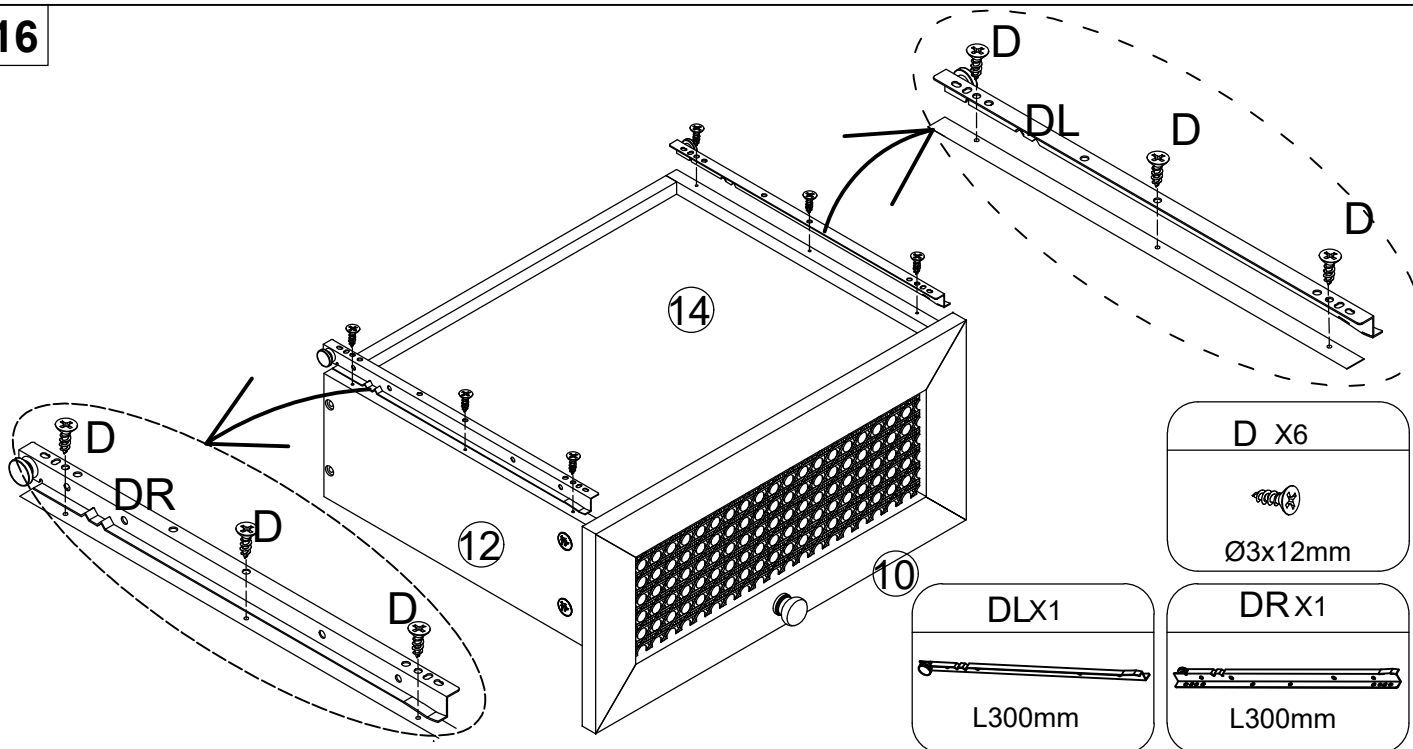


- B X4
Ø15x10mm

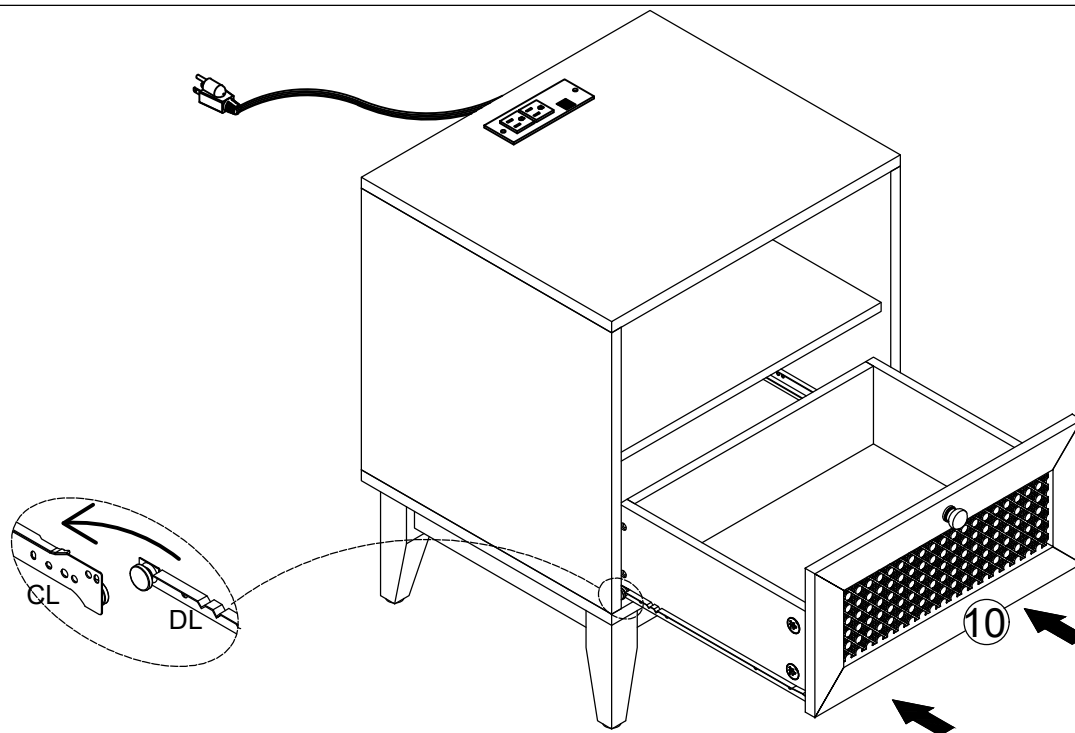
15



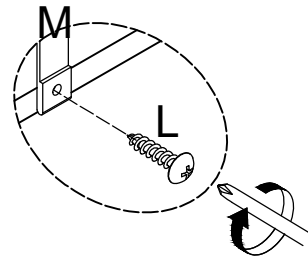
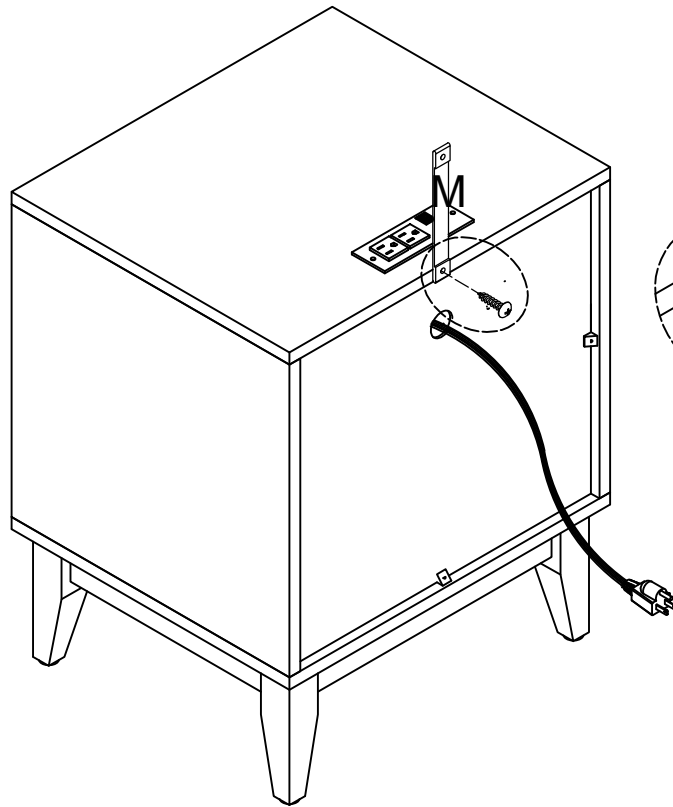
16


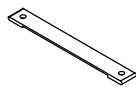


17

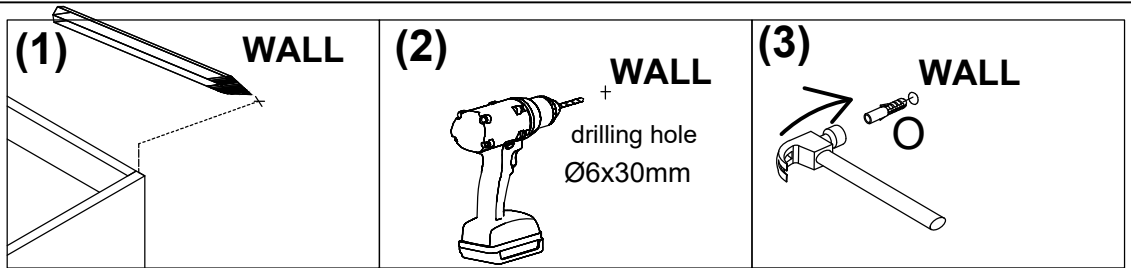


18

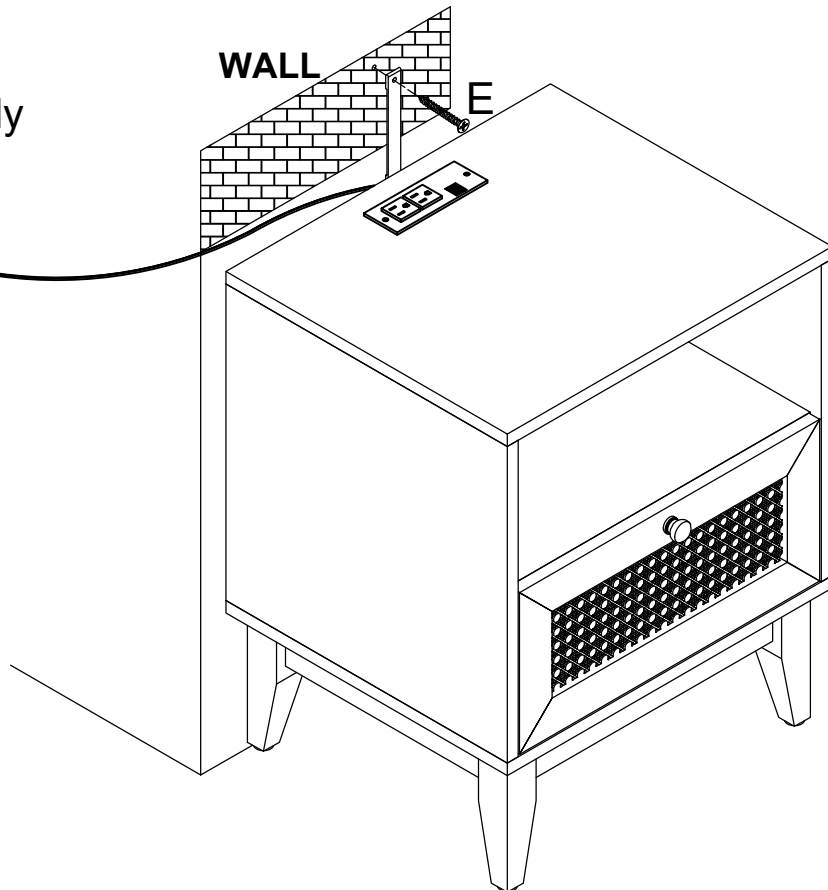
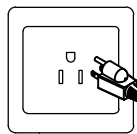



- L X1
- 
- M X1
- 

19



Power supply



- E X1
- 
- Ø4x35mm
- O X1
- 