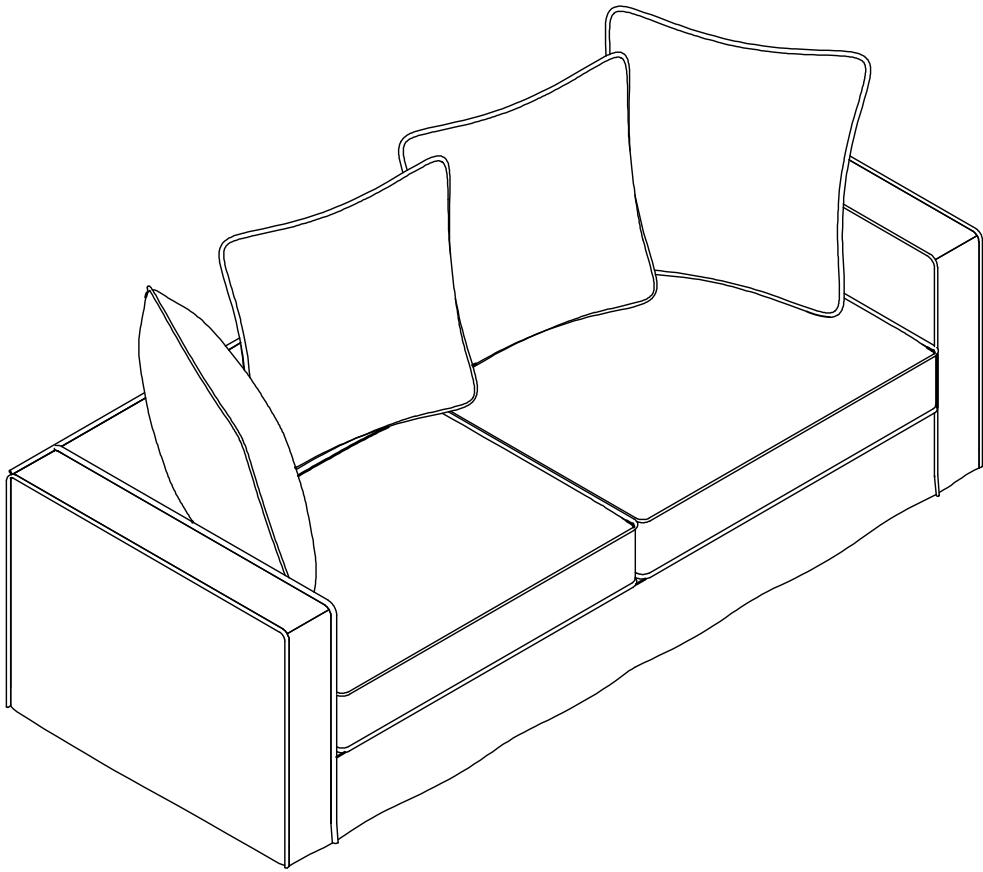
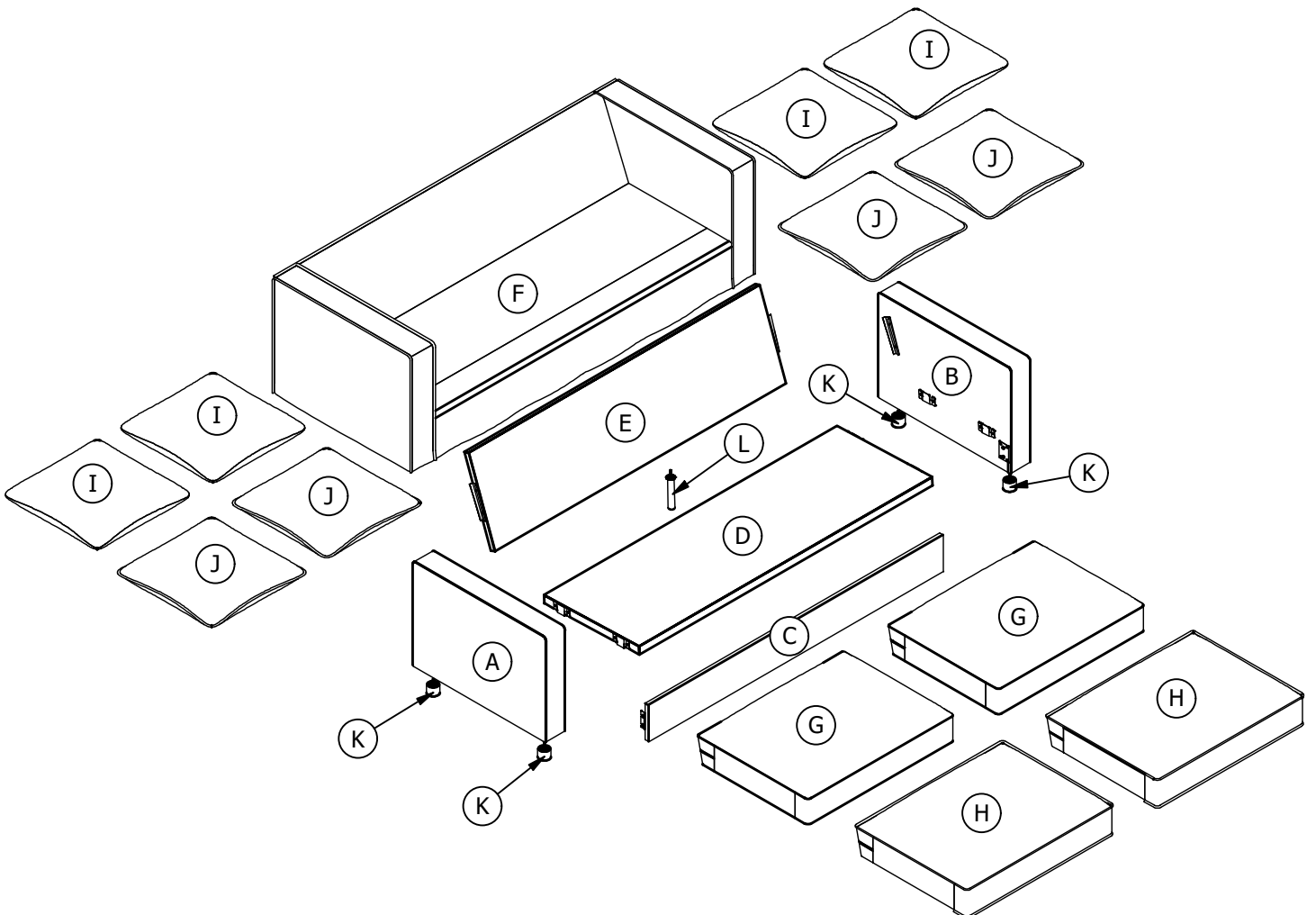


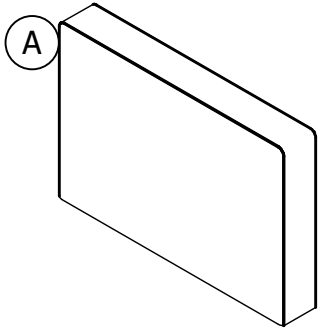
# Assembly Instruction



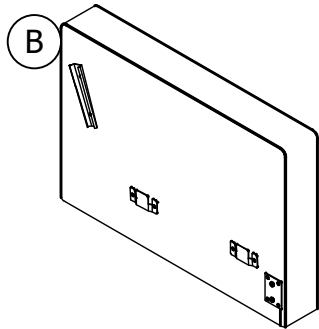
## PARTS



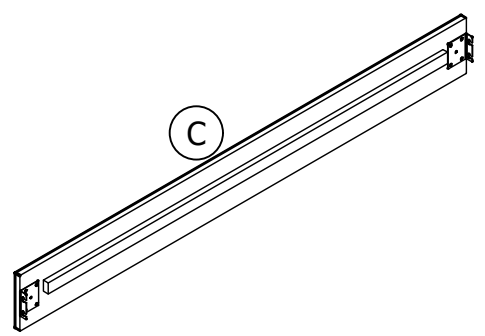
# PARTS LIST



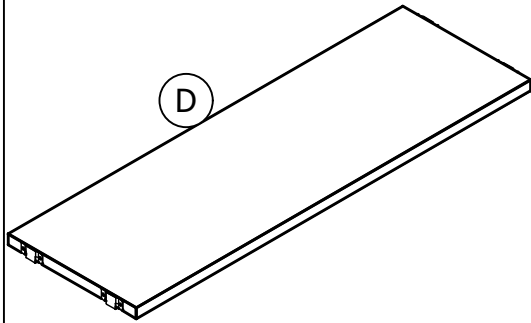
Left Armrest X 1 PC



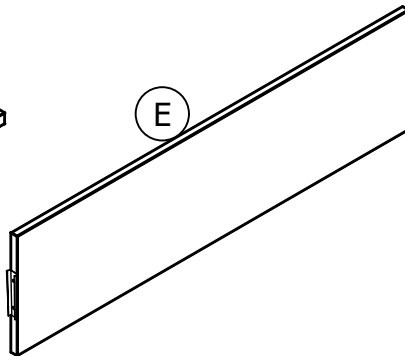
Right Armrest X 1 PC



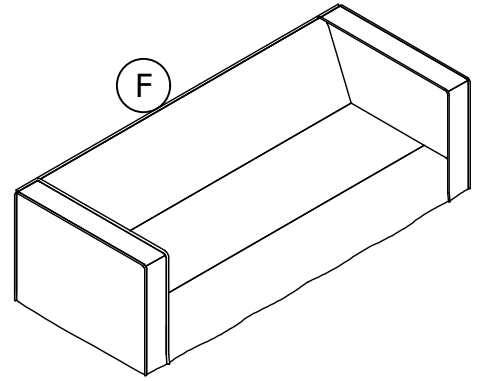
Front Rail X 1 PC



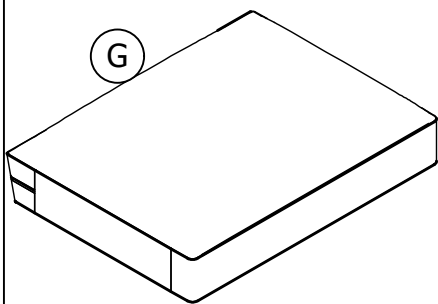
Seat Panel X 1 PC



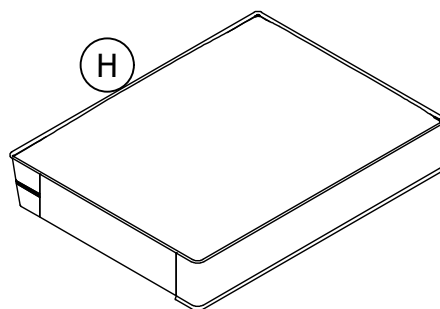
Back X 1 PC



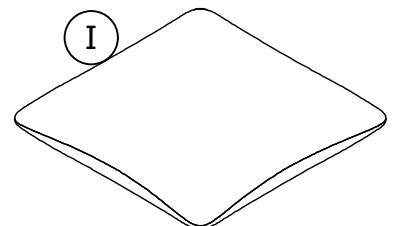
Sofa Slipcover X 1 PC



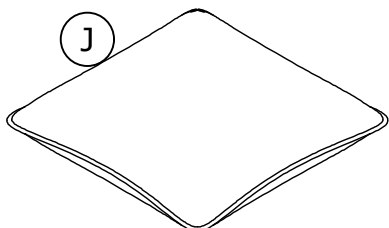
Seat Cushion X 1 PC



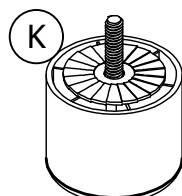
Seat Slipcover X 1 PC



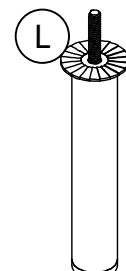
Pillow X 4 PCS



Pillow Slipcover X 4 PCS



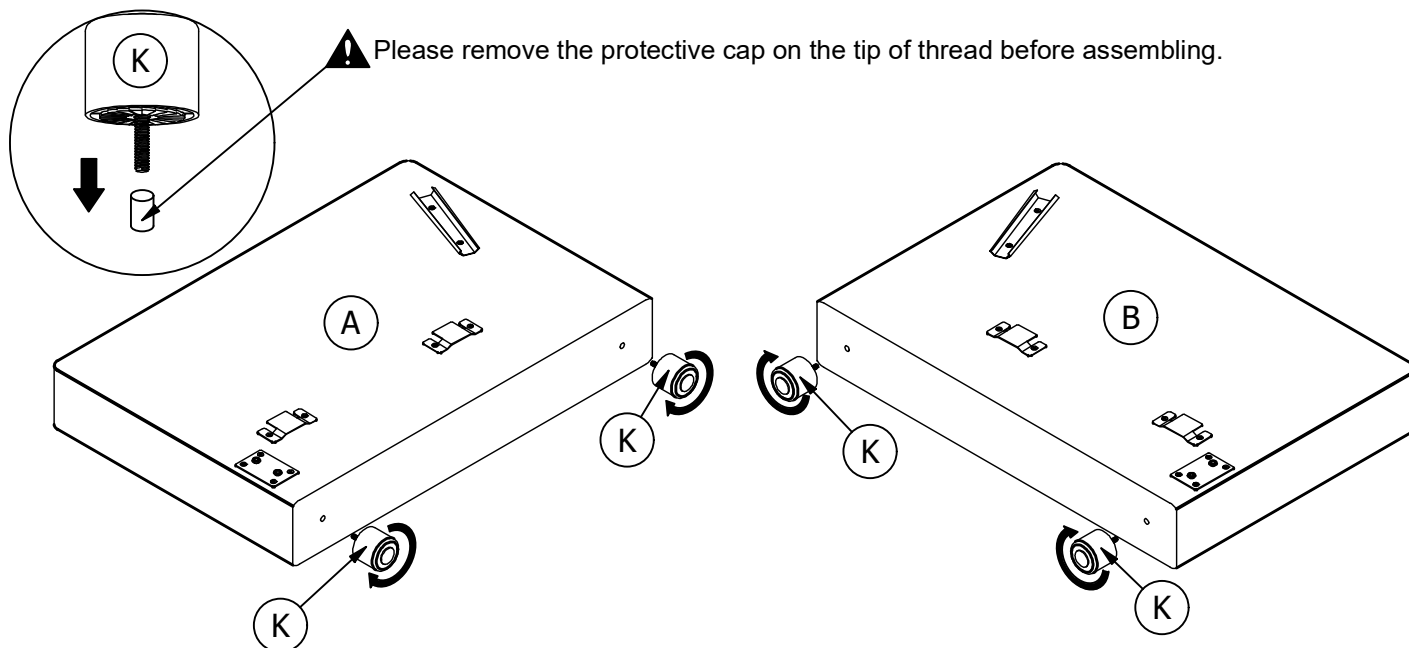
Leg X 4 PCS



Support Leg X 1 PC

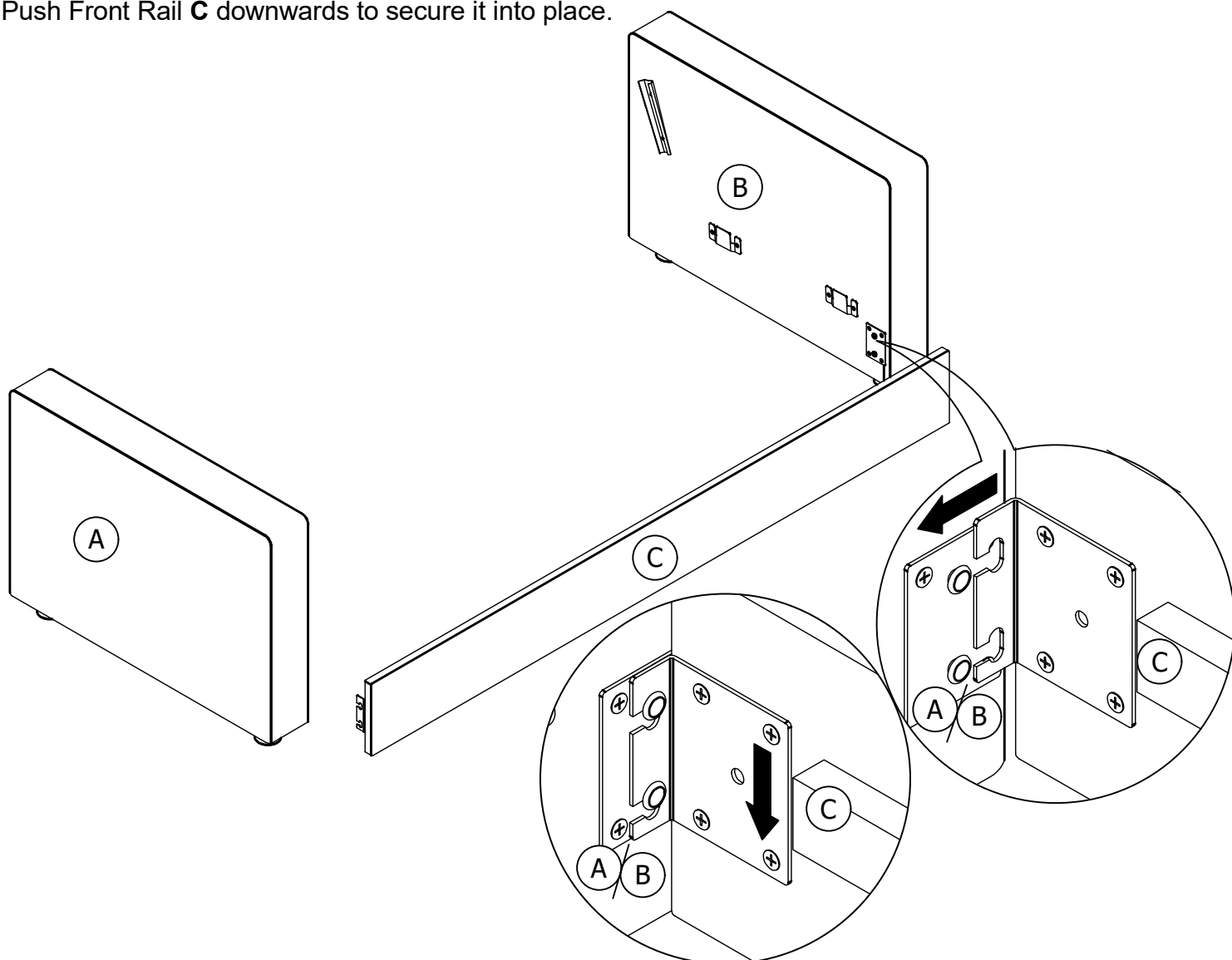
Place all parts on a clean, smooth surface.

**STEP 1:** Manually screw Legs **K** x 4 to Armrest **A** & **B**, as shown.

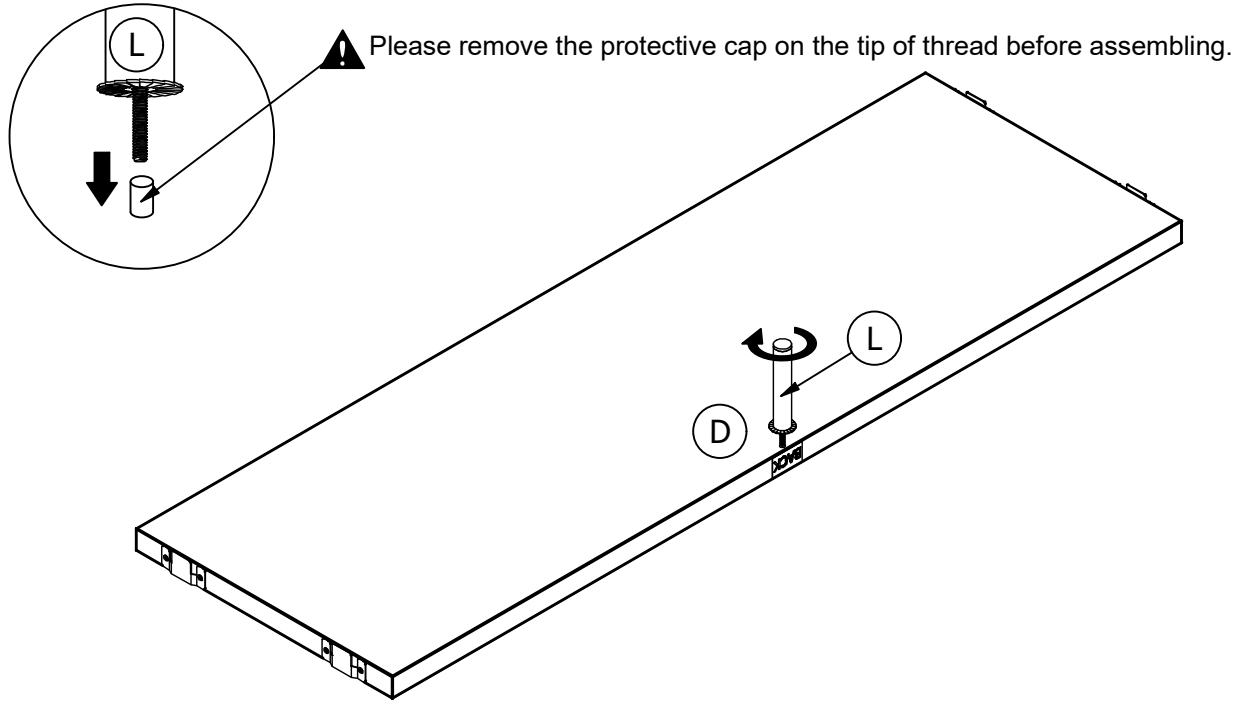


**STEP 2:**

Attach Front Rail **C** to Armrest **A** & **B** by inserting the brackets on Front Rail **C** into the metal plate on Armrest **A** & **B**, as shown.  
Push Front Rail **C** downwards to secure it into place.



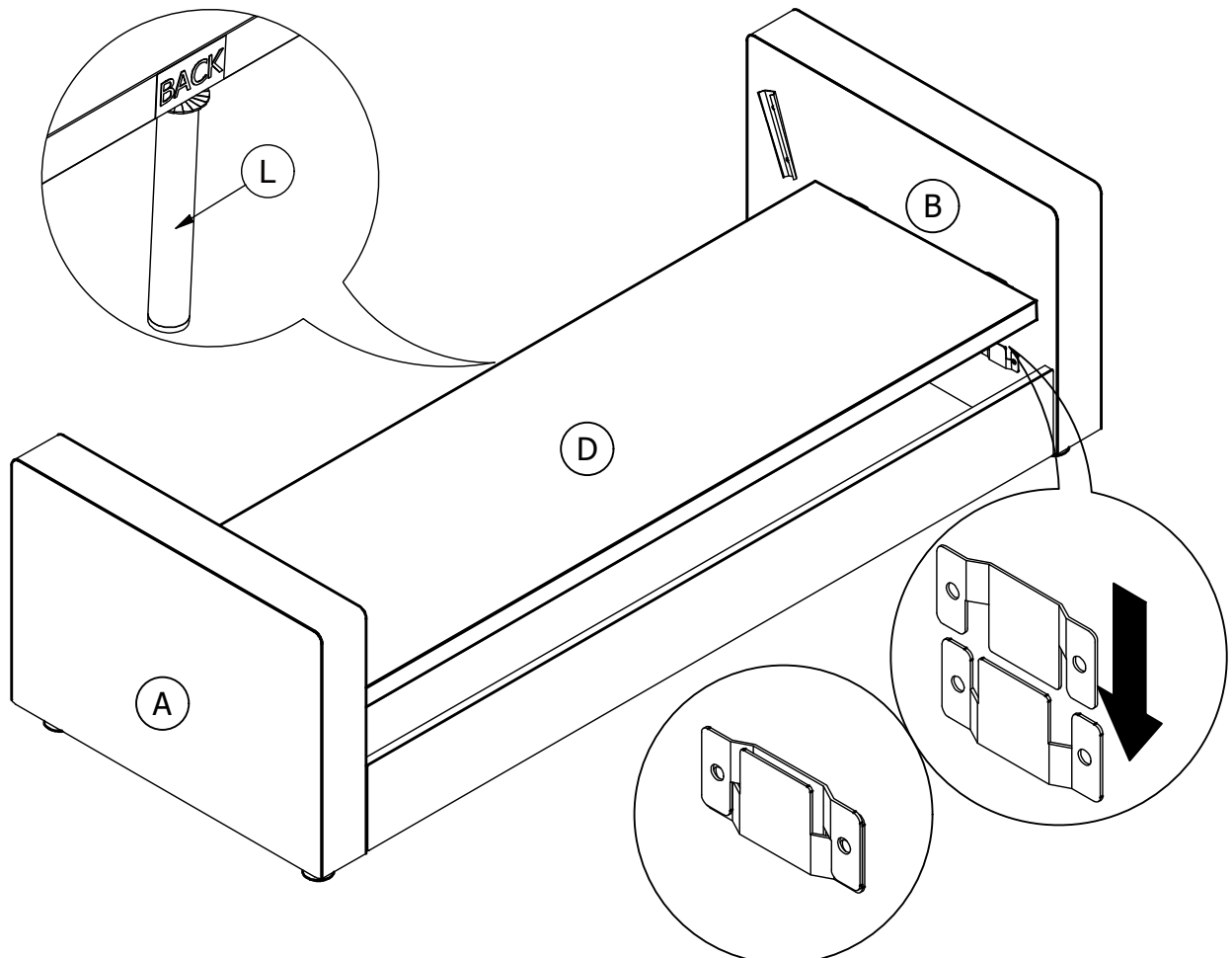
**STEP 3:** Manually screw Support Leg **L** to Seat Panel **D**, as shown.



**STEP 4:**

Attach Seat Panel **D** to Armrest **A** & **B** by inserting the metal brackets on Seat Panel **D** into the metal glides on Armrest **A** & **B**, as shown.

Push Seat Panel **D** with a downward force to secure it into place.

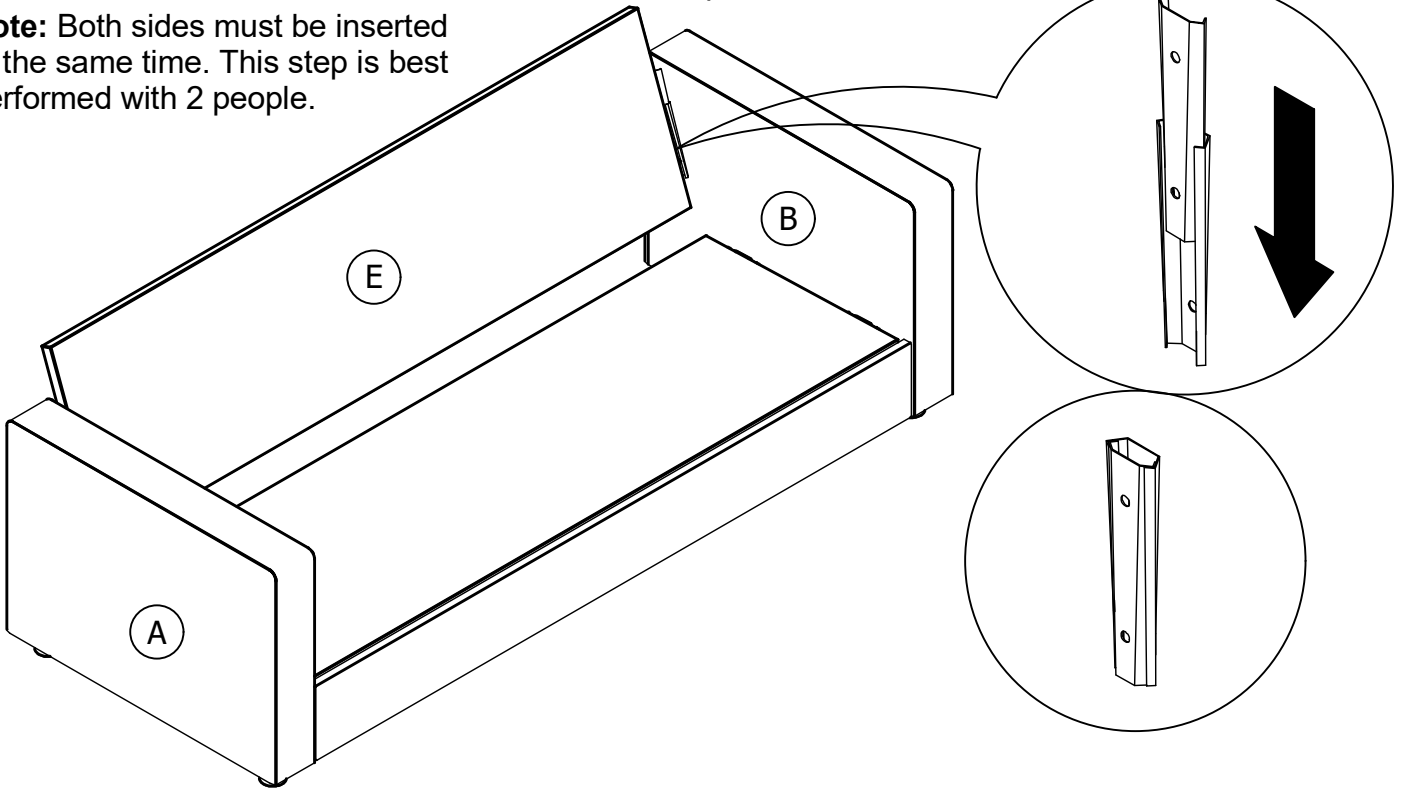


**STEP 5:**

Attach Back **E** to Armrest **A** & **B** by inserting the brackets on Back **E** into the metal glides on Armrest **A** & **B**.

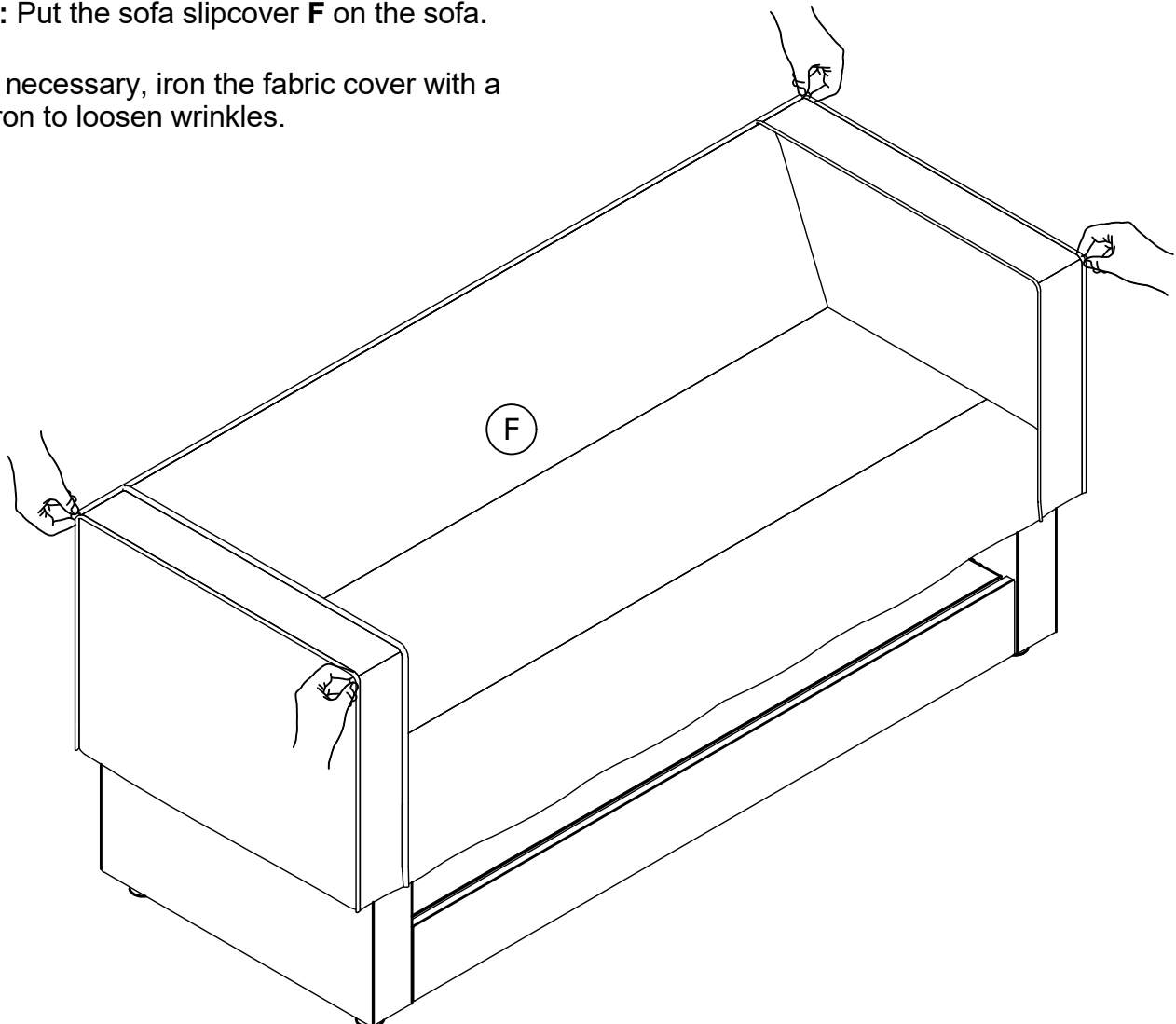
Push Back **E** with a downward force to secure it into place.

**Note:** Both sides must be inserted at the same time. This step is best performed with 2 people.



**STEP 6:** Put the sofa slipcover **F** on the sofa.

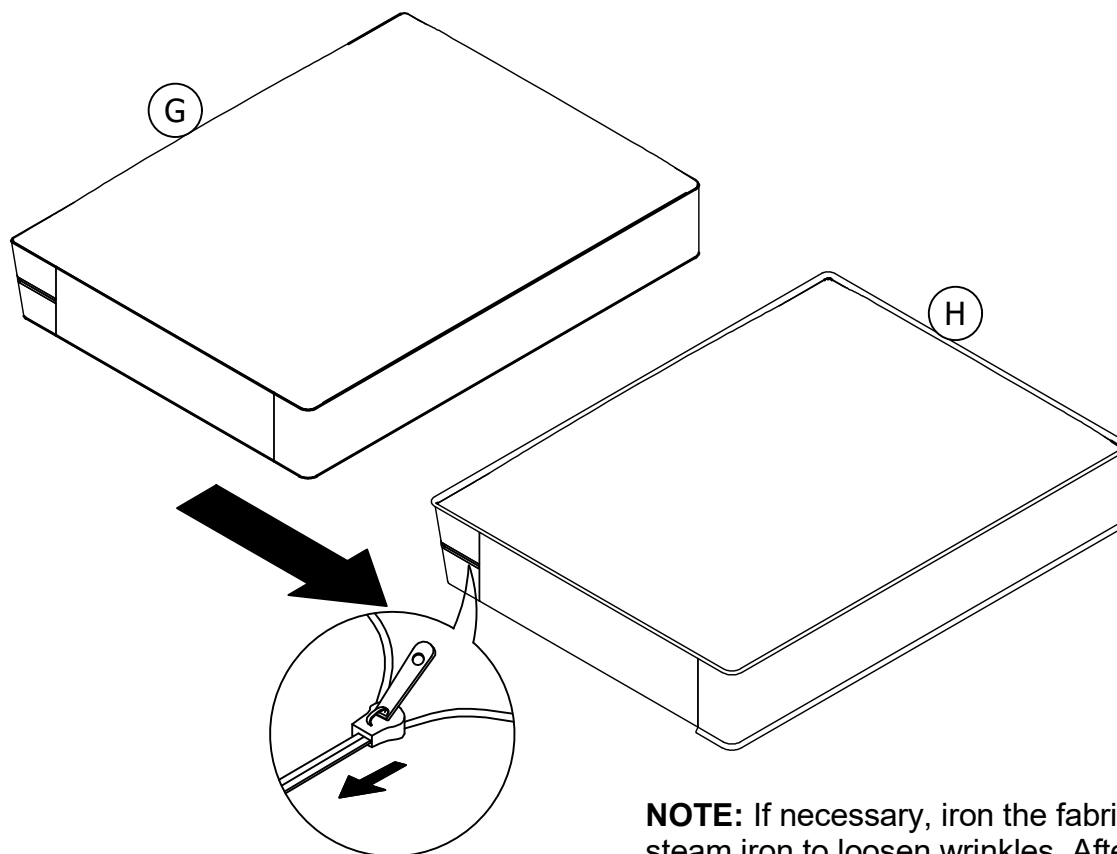
**Note:** If necessary, iron the fabric cover with a steam iron to loosen wrinkles.



**Step 7:** Remove the cushions from their vacuumed sealed package.

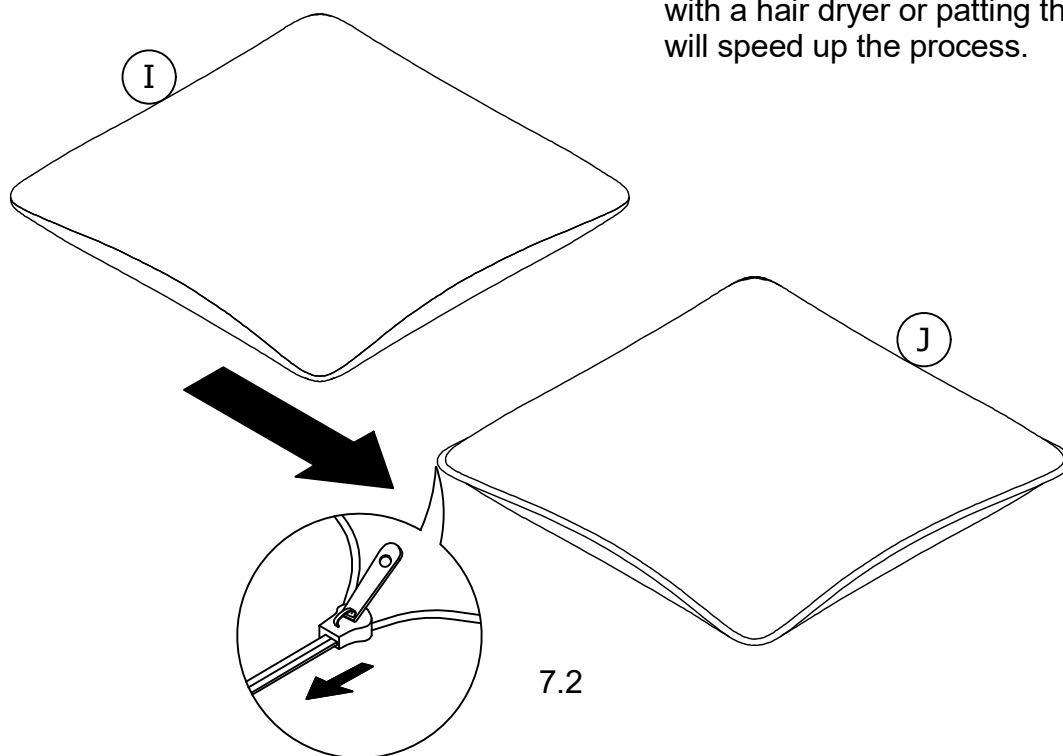
7.1 Open the zipper on Seat Slipcover **H** and insert Seat Cushion **G** x 2 into Seat Slipcover **H** x 2 following the orientation as indicated in left view, close the zipper.

7.2 Open the zipper on Pillow Slipcover **J** and insert Pillow **I** x 4 into Pillow Slipcover **J** x 4, close the zipper.



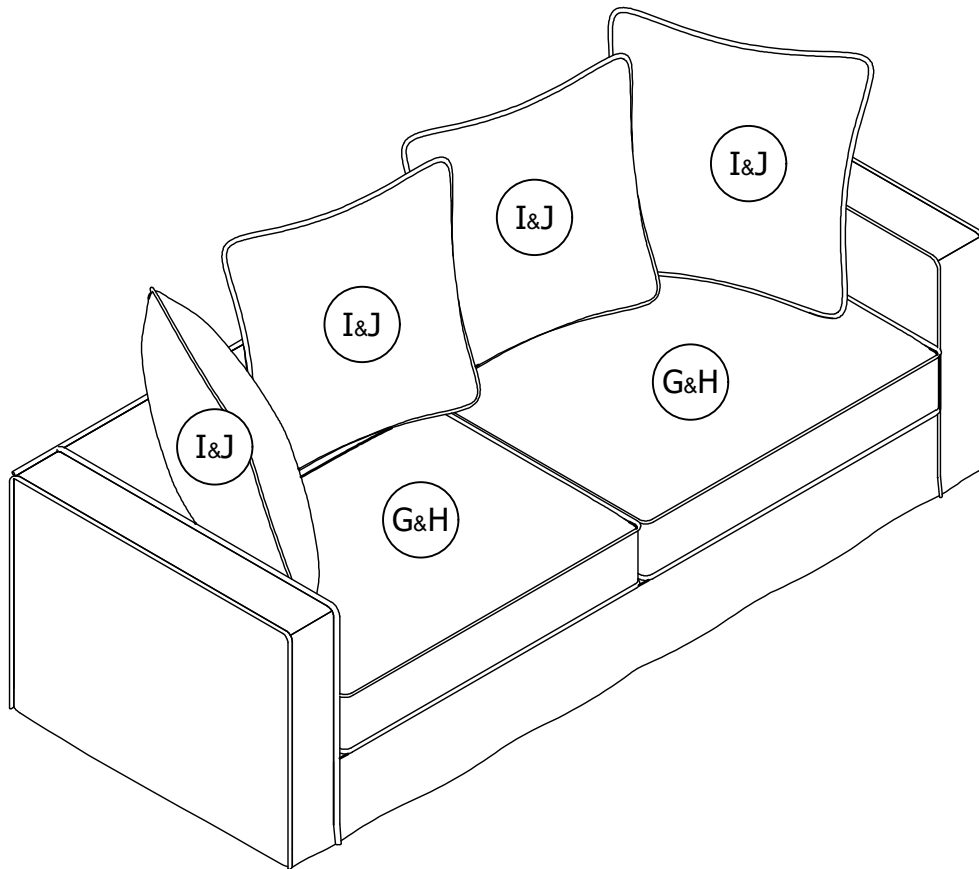
7.1

**NOTE:** If necessary, iron the fabric cover with a steam iron to loosen wrinkles. After unpacking all components, allow 72 hours for the compressed foam or polyester pillow fill to spring back. Blowing with a hair dryer or patting the mat with your hands will speed up the process.



7.2

**Step 8:** Place Seat Cushion ( G & H ) x 2 and Pillow ( I & J ) x 4 onto the sofa, as shown.



## Helpful Hints

- Move your new furniture carefully, with two people lifting and carrying the unit to its new location.
- Your furniture can be disassembled and reassembled to move.
- Clean the product with a soft damp cloth. DO NOT use harsh chemicals or abrasive cleaners.
- For further information please contact at [sales4@jsanyee.com](mailto:sales4@jsanyee.com)

