

INSTRUCTIONS FOR YOUR PRODUCT

Parts

A (1 PC)



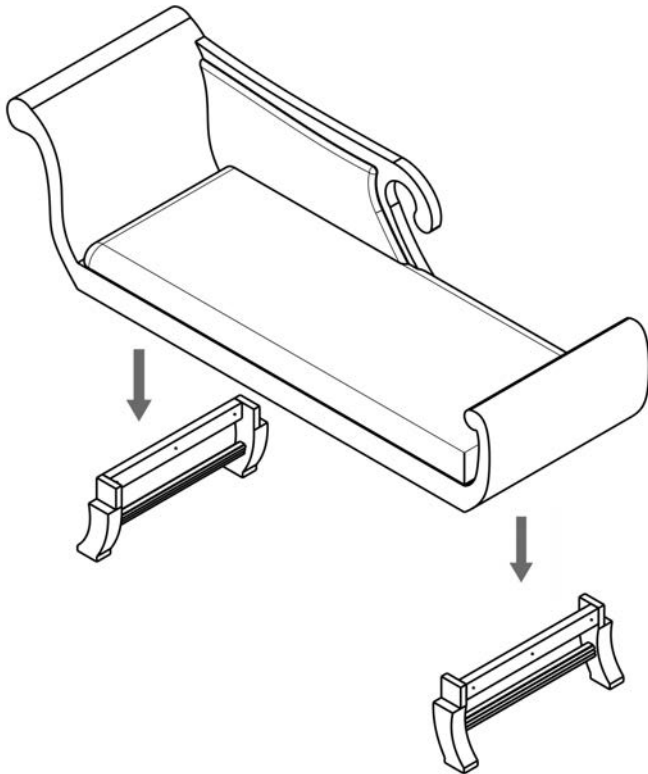
B (6 PCS)



C (6 PCS)

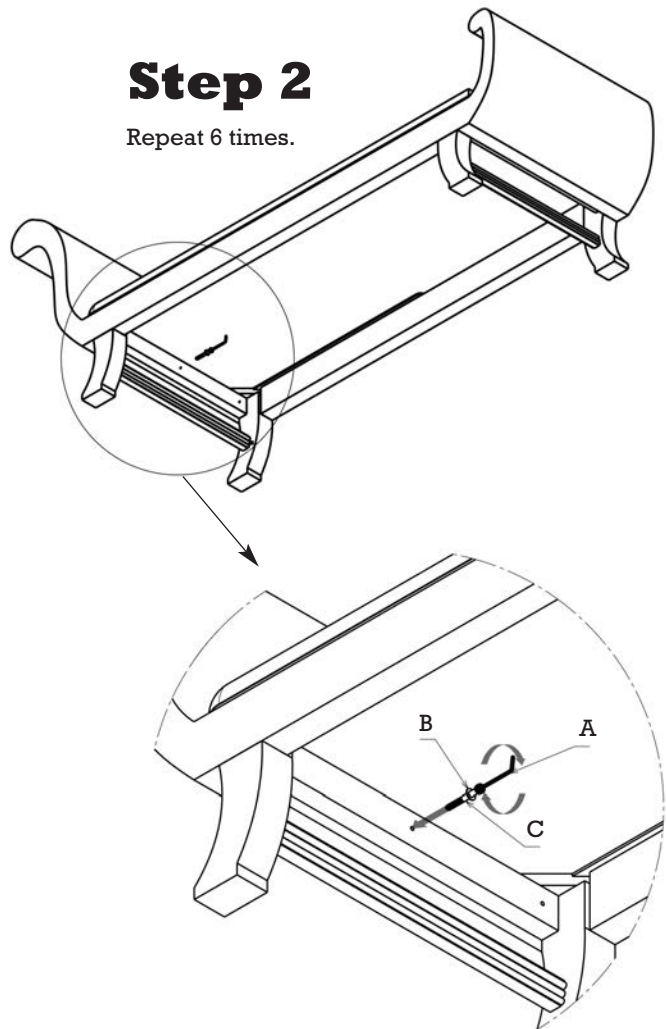


Step 1



Step 2

Repeat 6 times.



THANK YOU FOR
YOUR PURCHASE