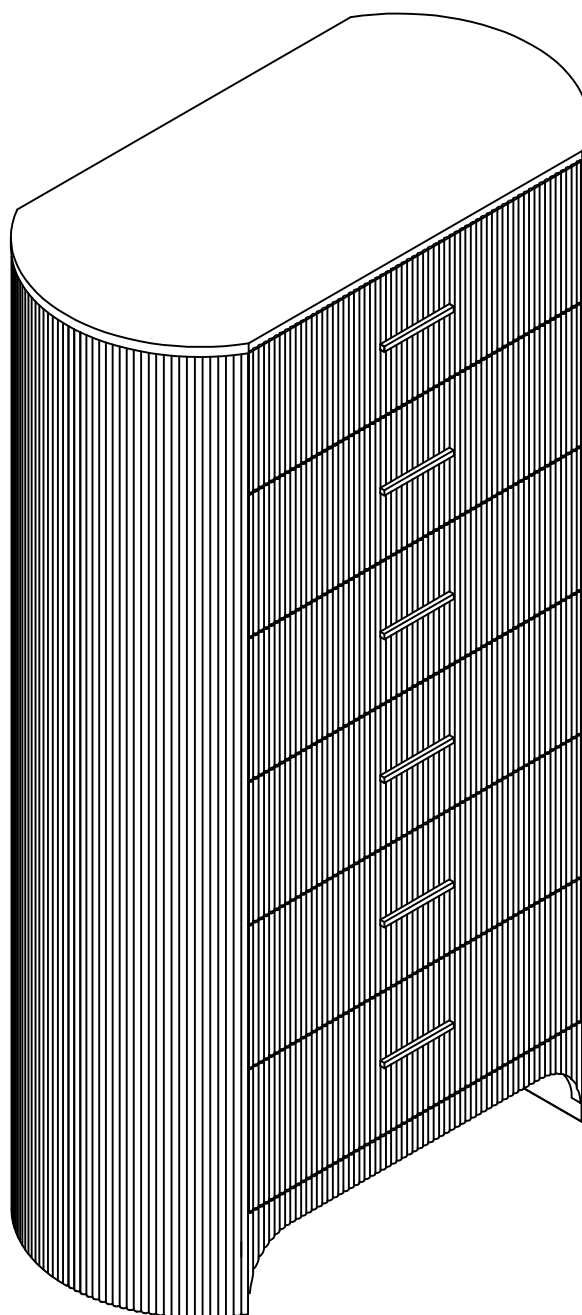
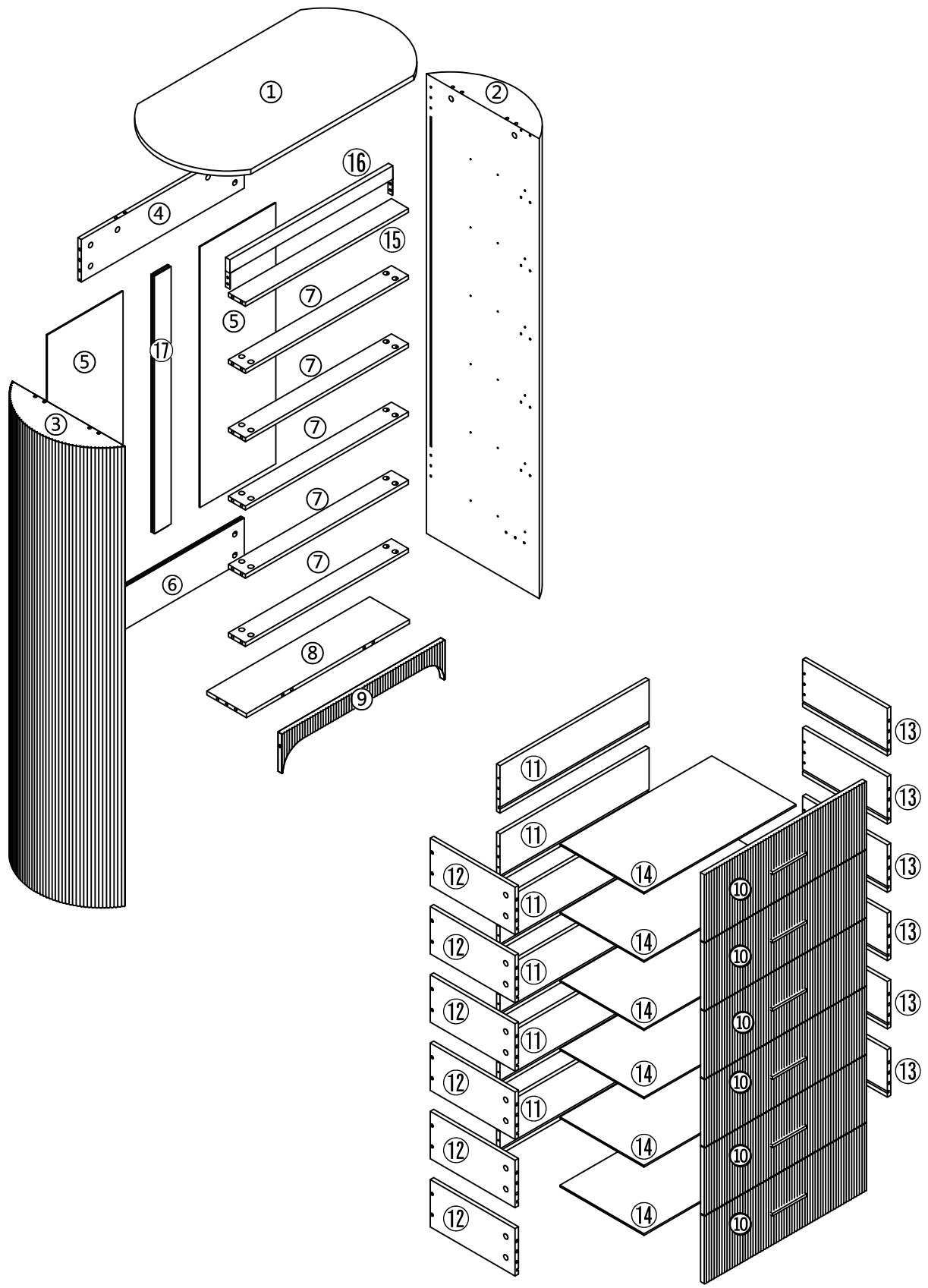




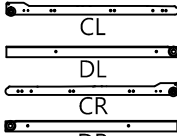











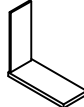


ASSEMBLY INSTRUCTIONS



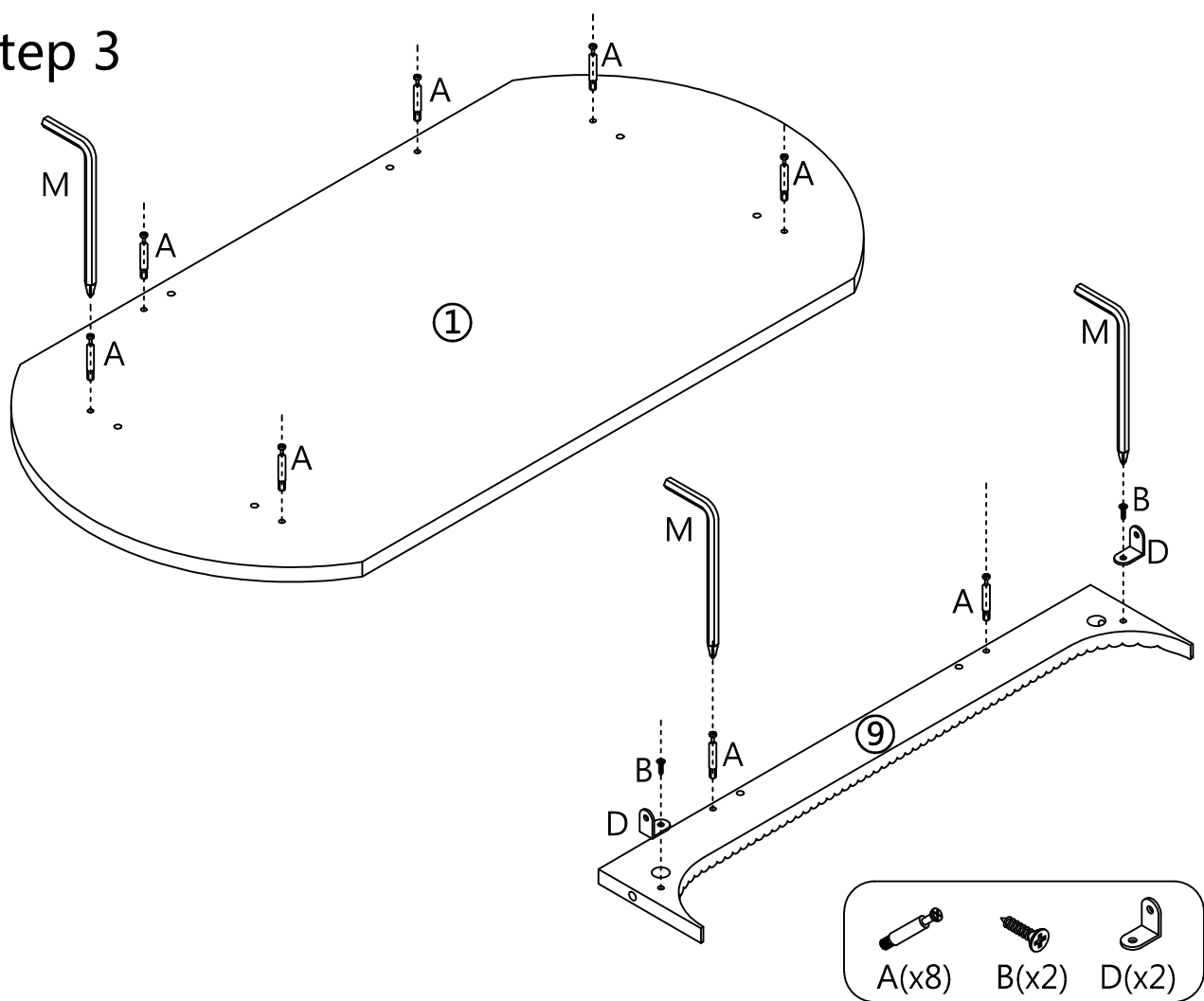
Parts List



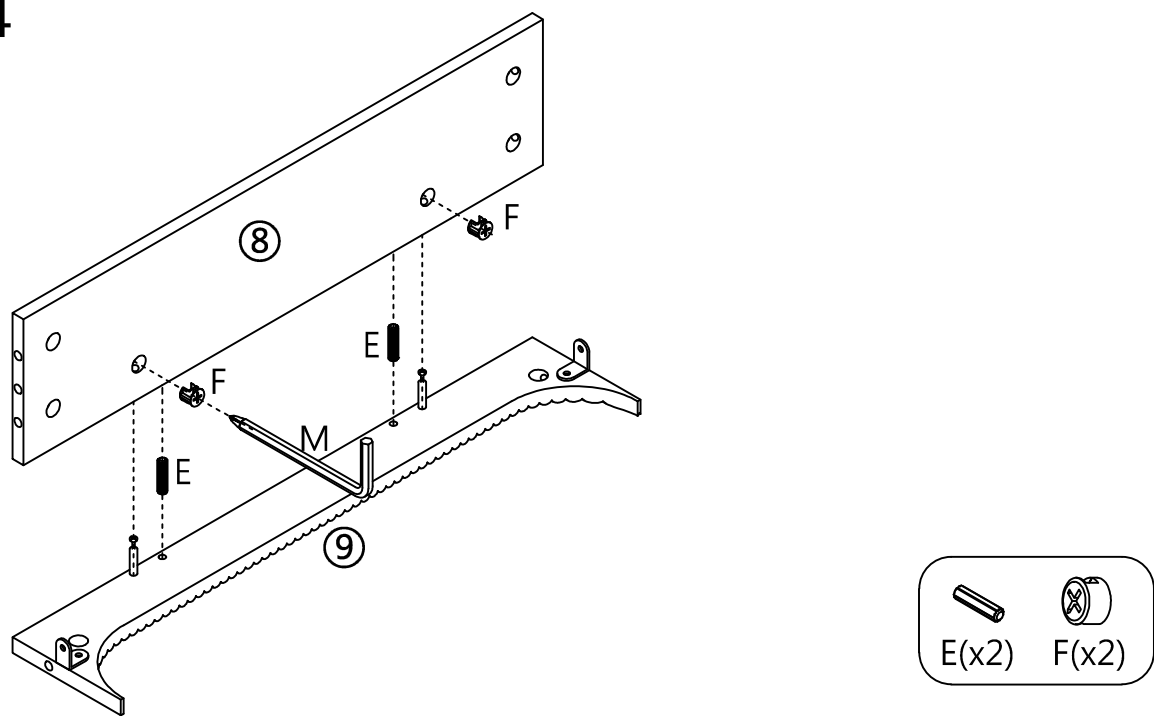
Hardware List

 A(x68+2)	 M4*12 B(x78+12)	 CL DL CR DR L=300 C(x6)	 D(x2)	 M6*30 E(x26+1)
 D=15 F(x68+2)	 M4*20 G(x4)	 M3.5*25 H(x24)	 M4*22 I(x12)	 J(x6)
 K(x6)	 M3.5*15 L(x6)	 M (X1)	 N (X2)	 O(x2)
 M3.5*40 P(x2)	 Q(x2)			

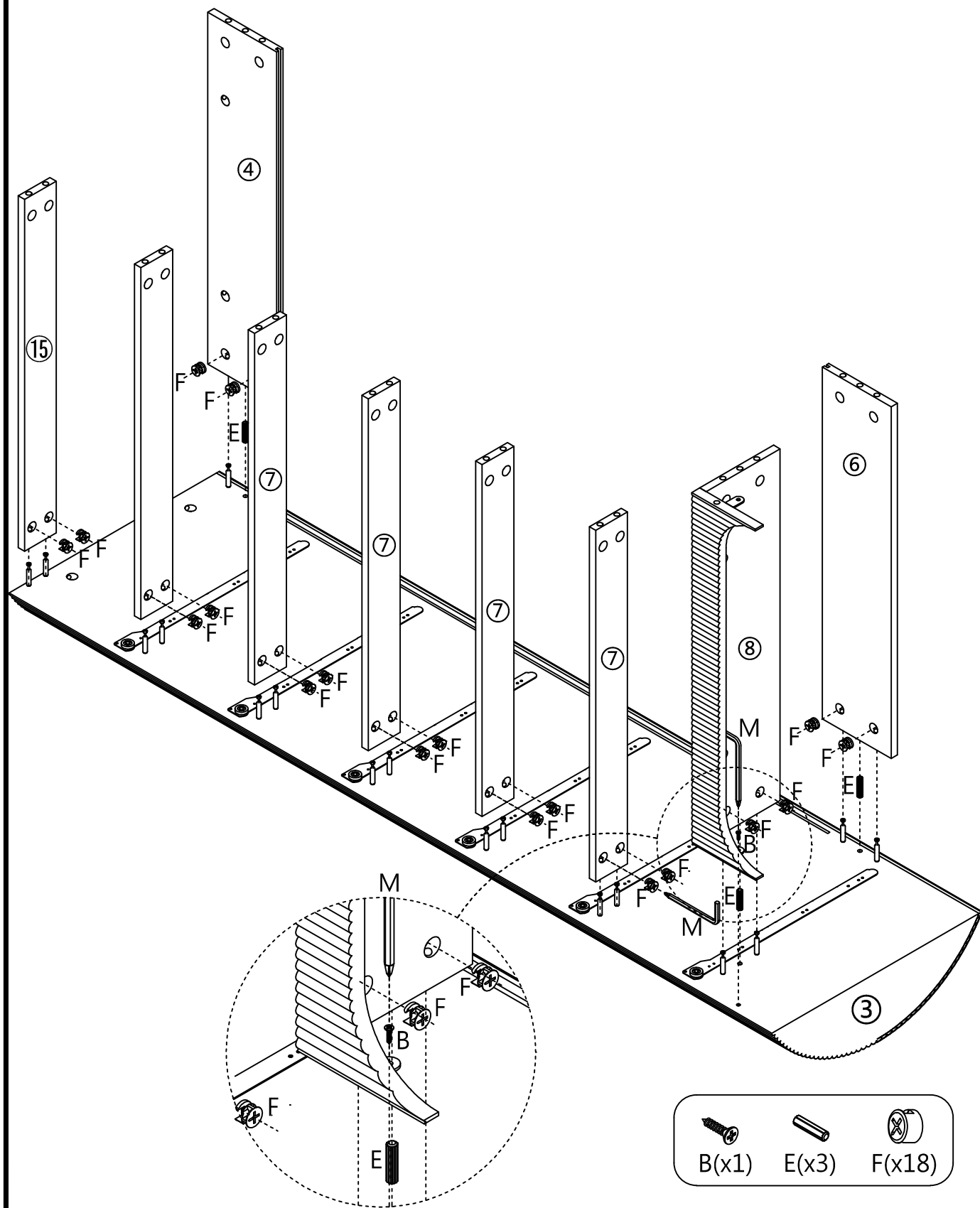
Step 3



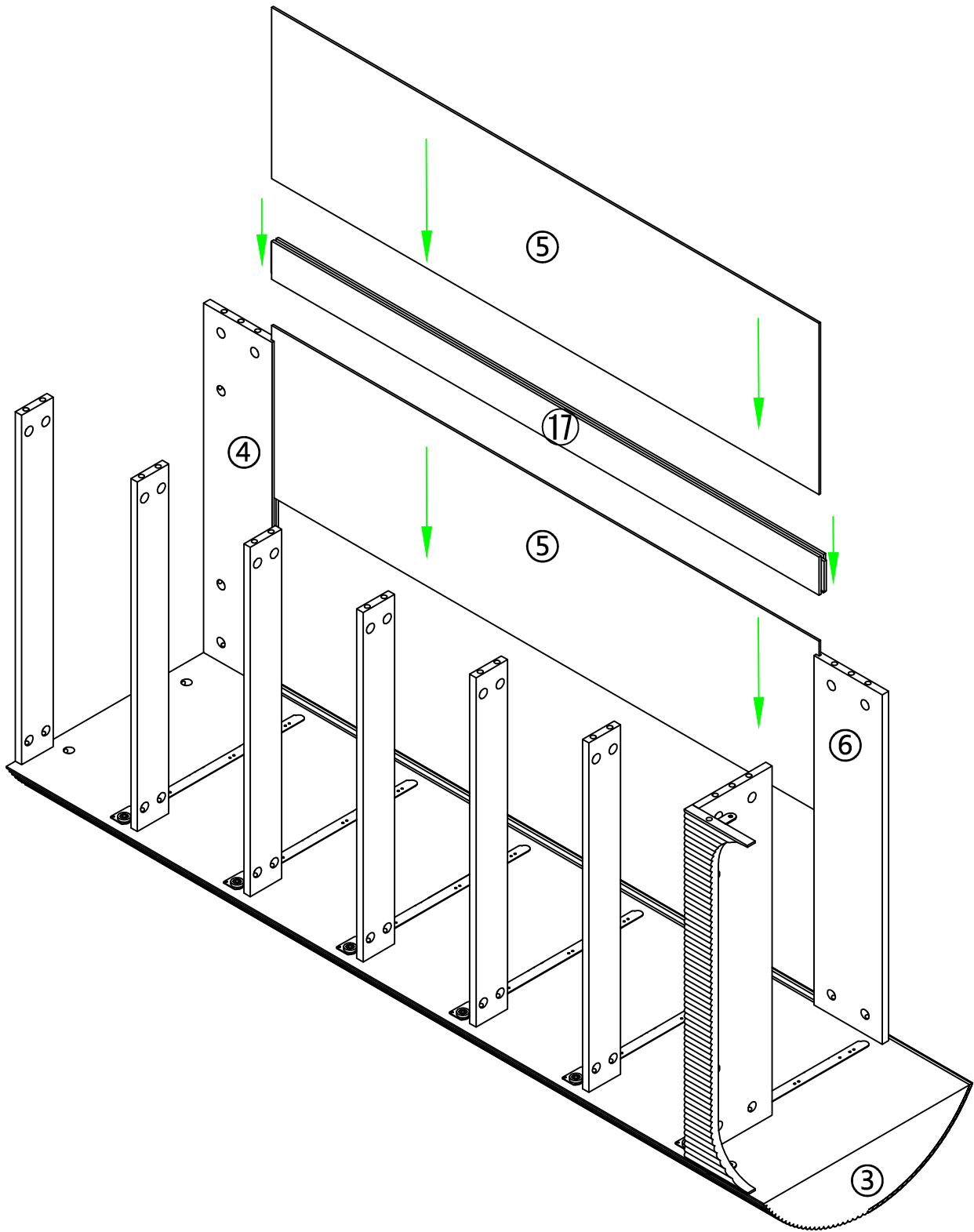
Step 4



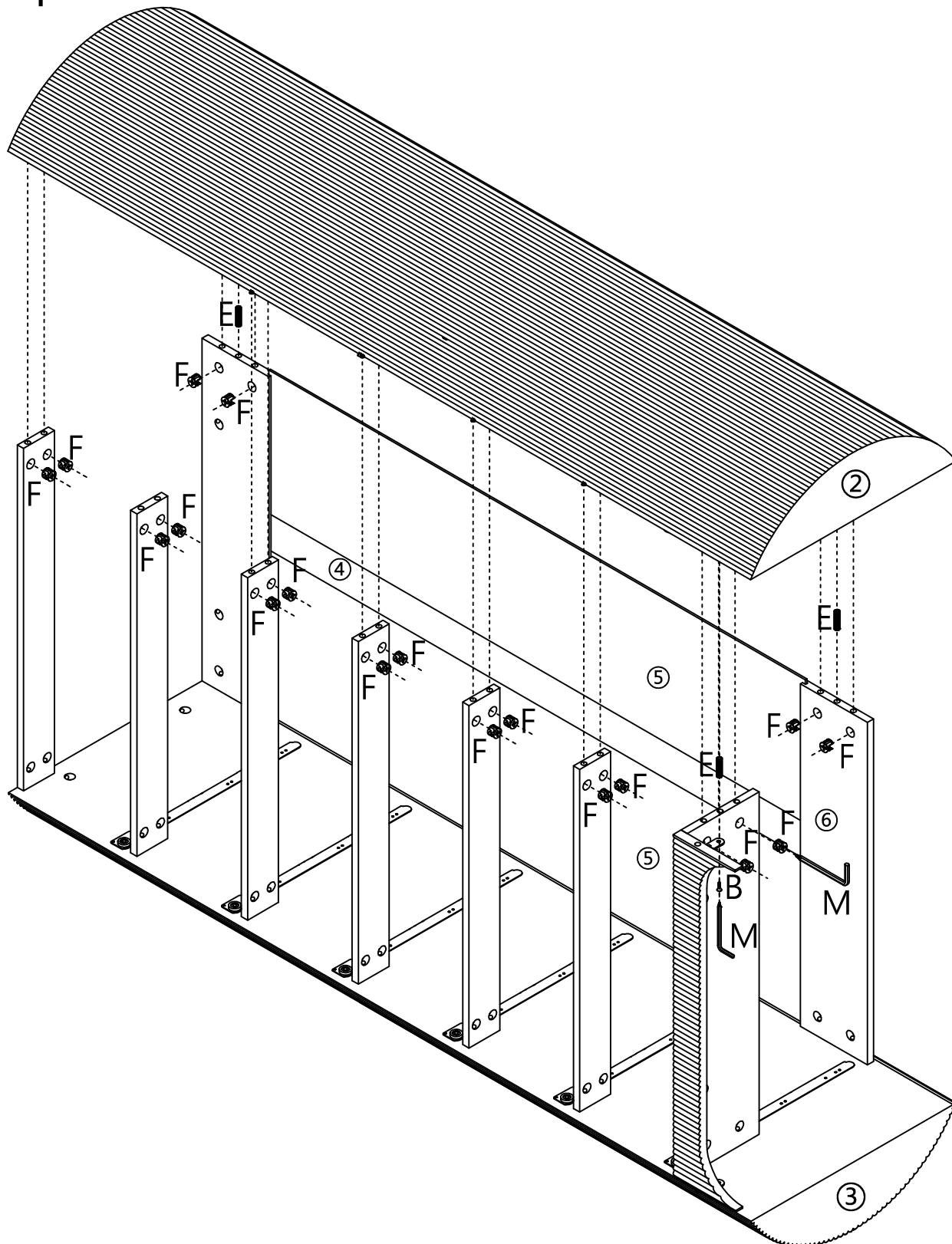
Step 5






Step 6

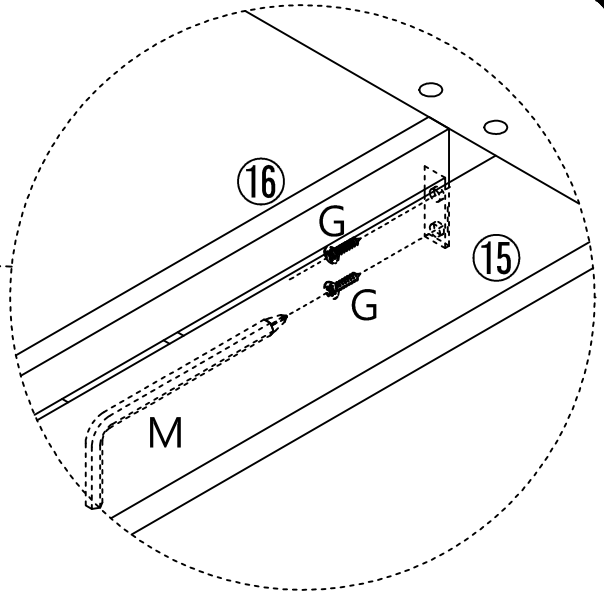
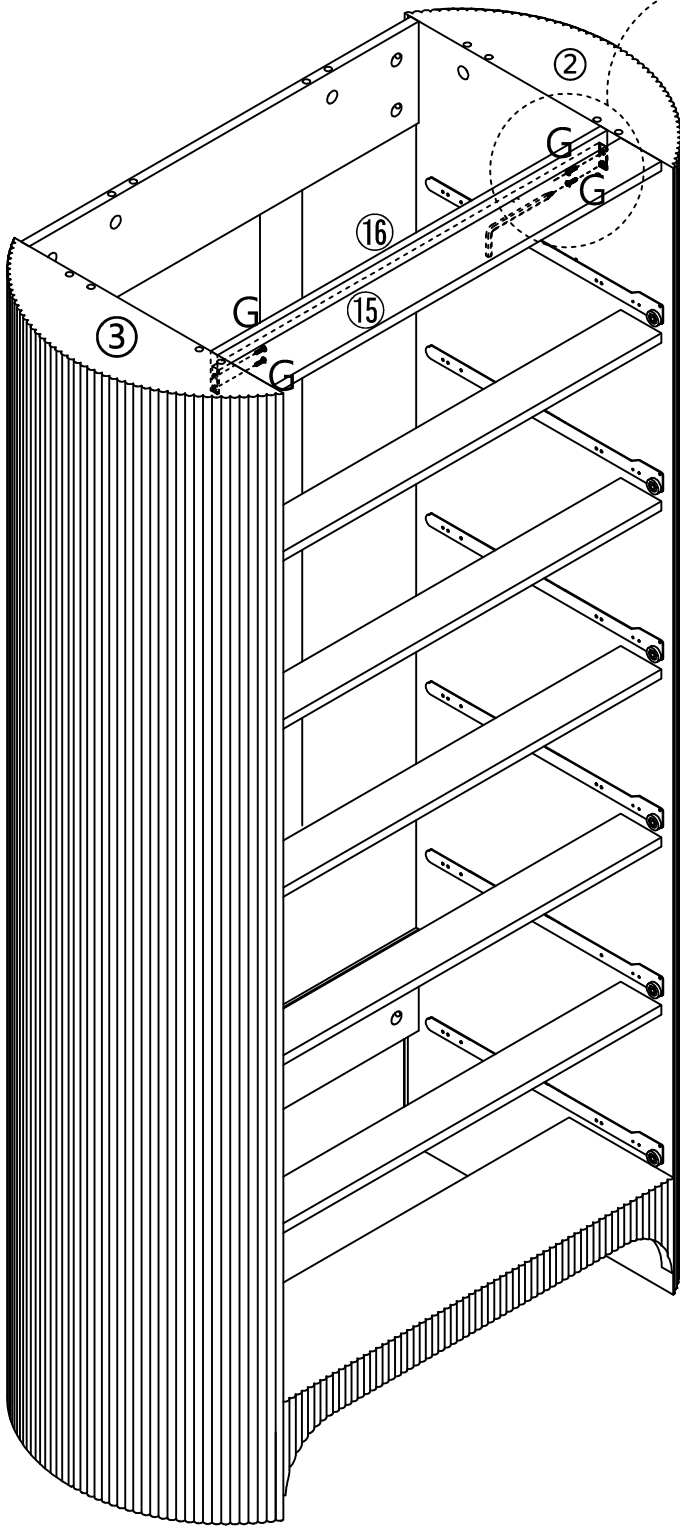


Step 7

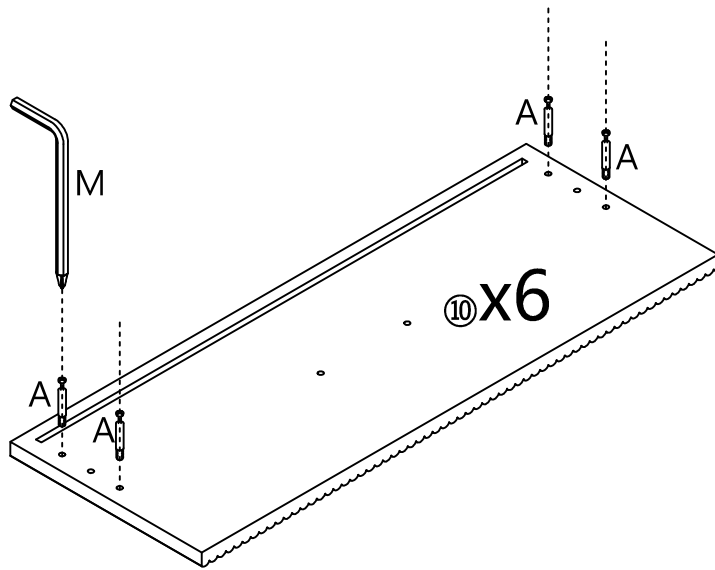


		
B(x1)	E(x3)	F(x18)

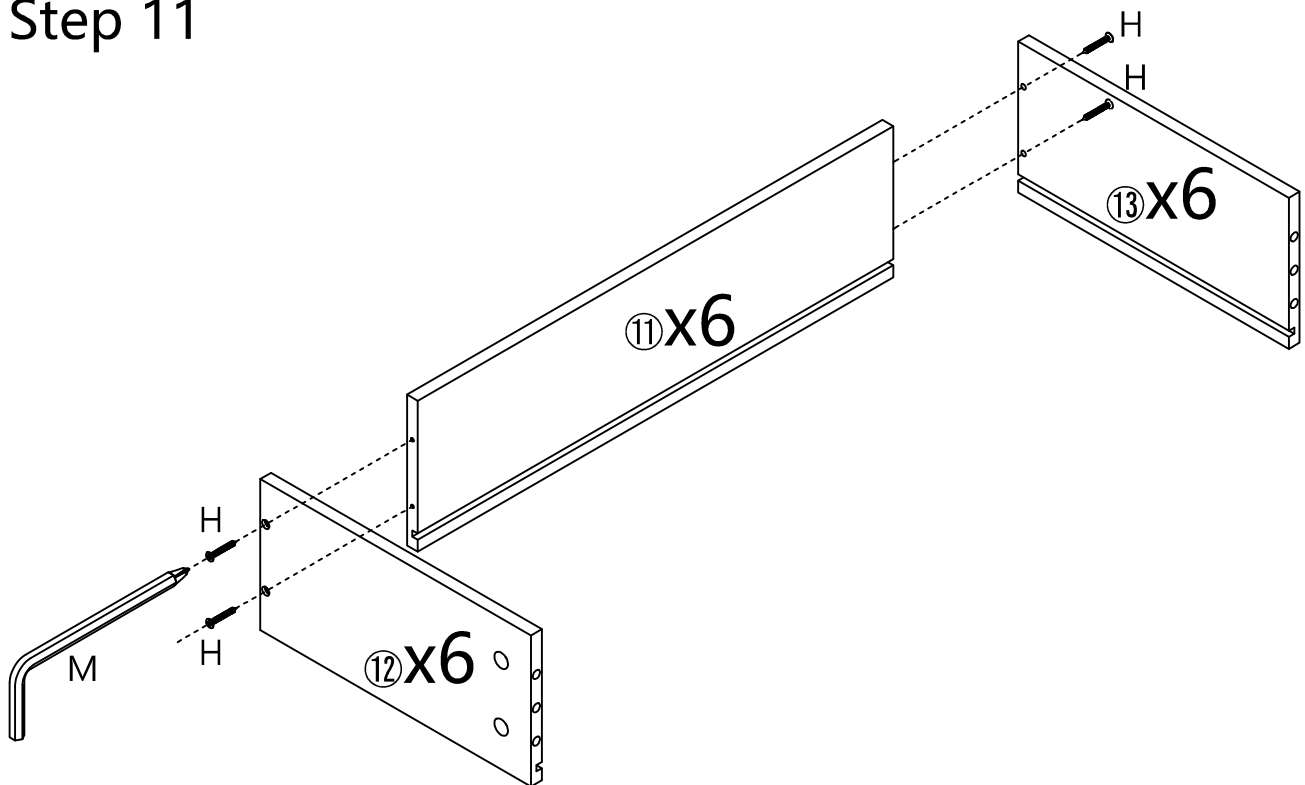
Step 8



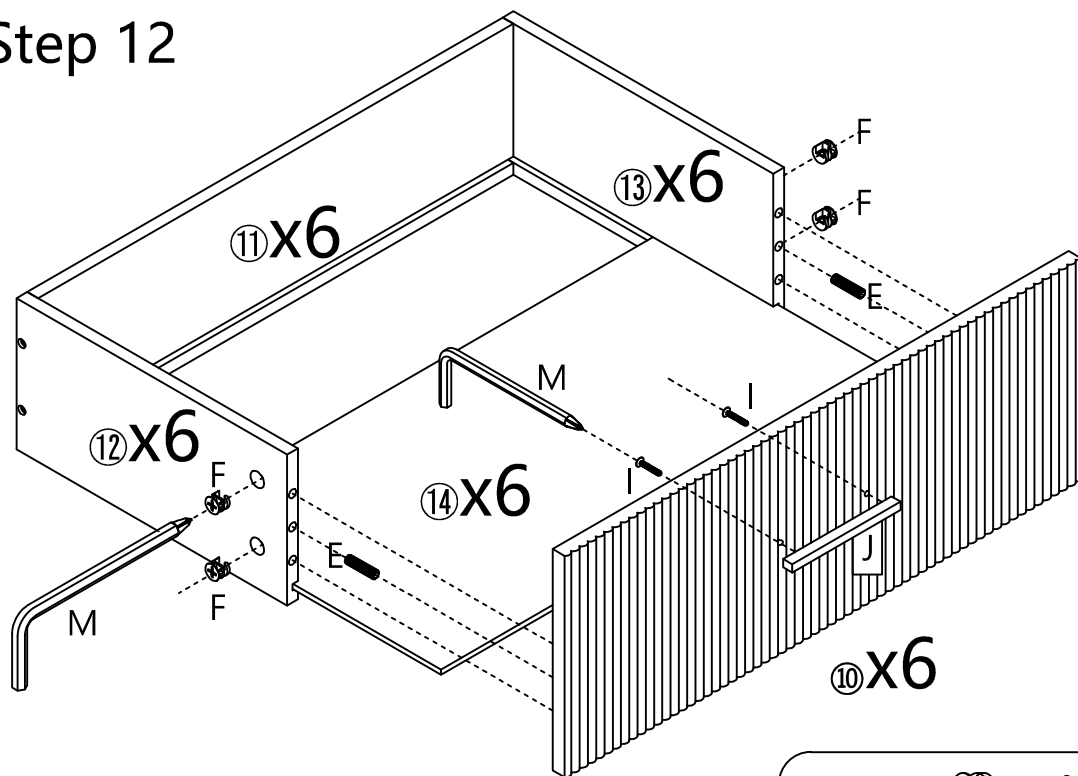
Step 10



Step 11

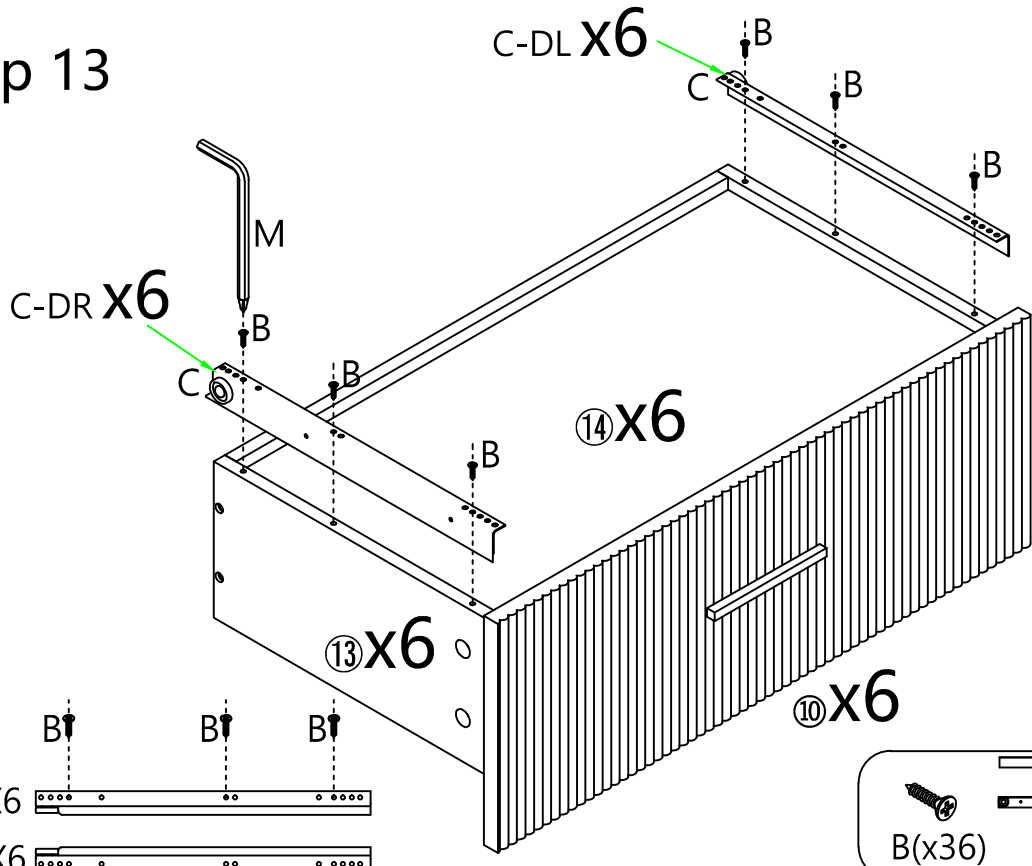


Step 12



E(x12)	F(x24)	I(x12)	J(x6)

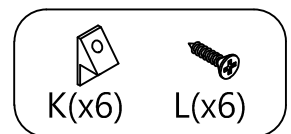
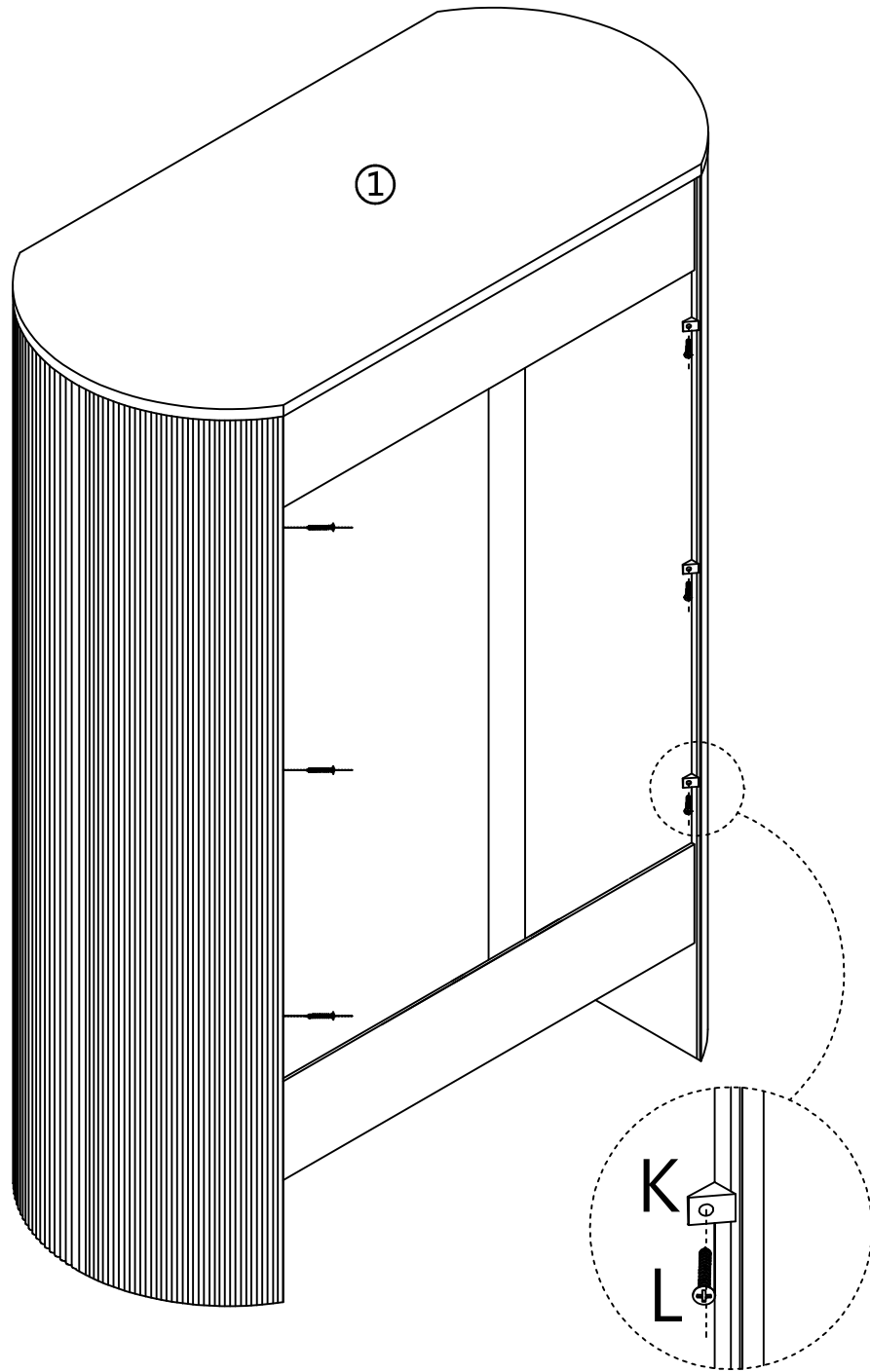
Step 13



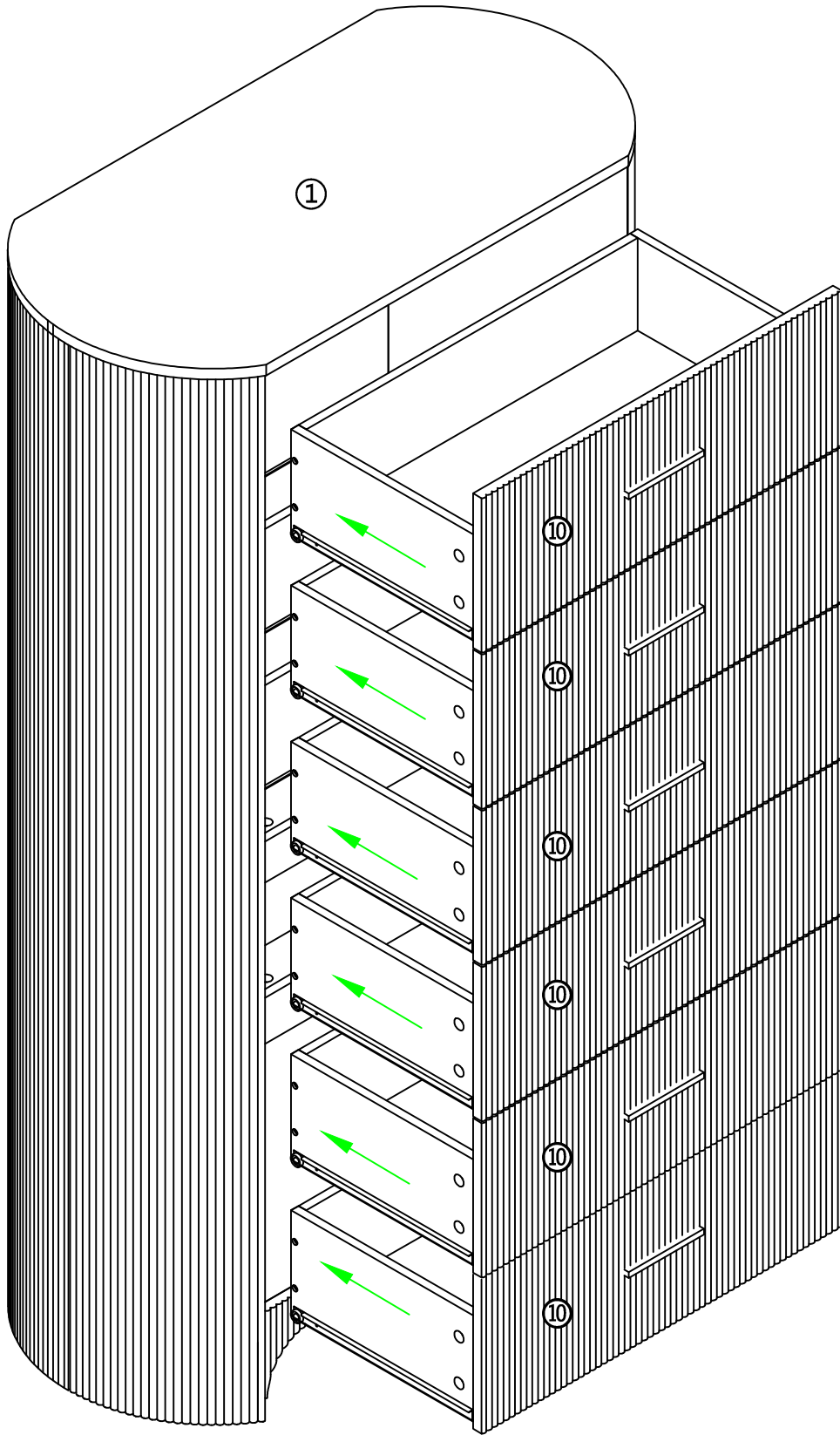
C-DL X6	
C-DR X6	

B(x36)	DL
	DR
	C(x6)

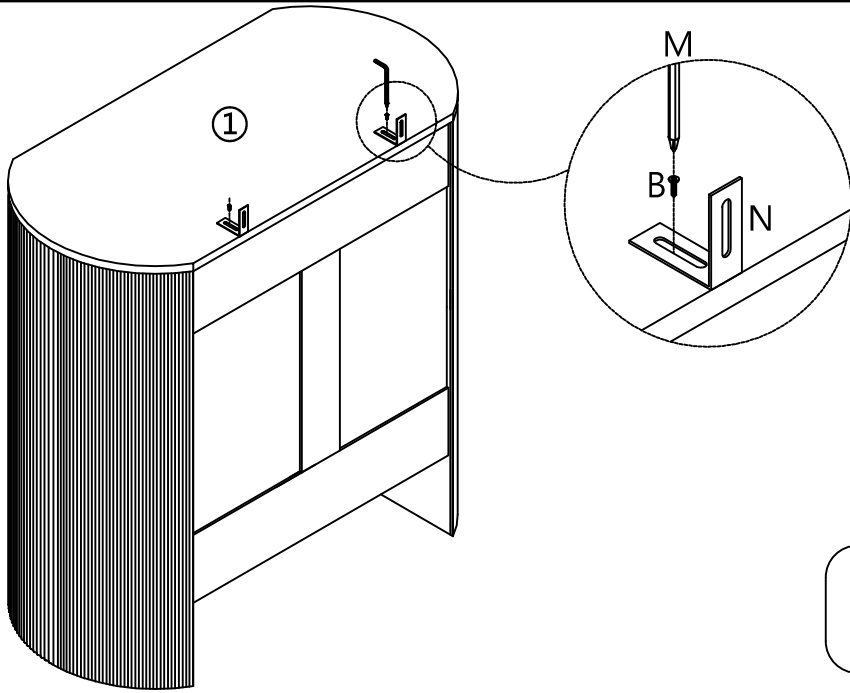
Step 14



Step 15



Step 14



Step 15

