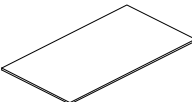
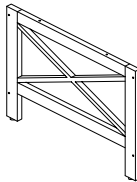
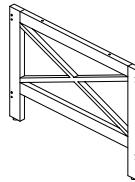
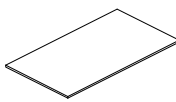
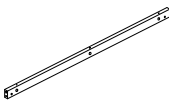
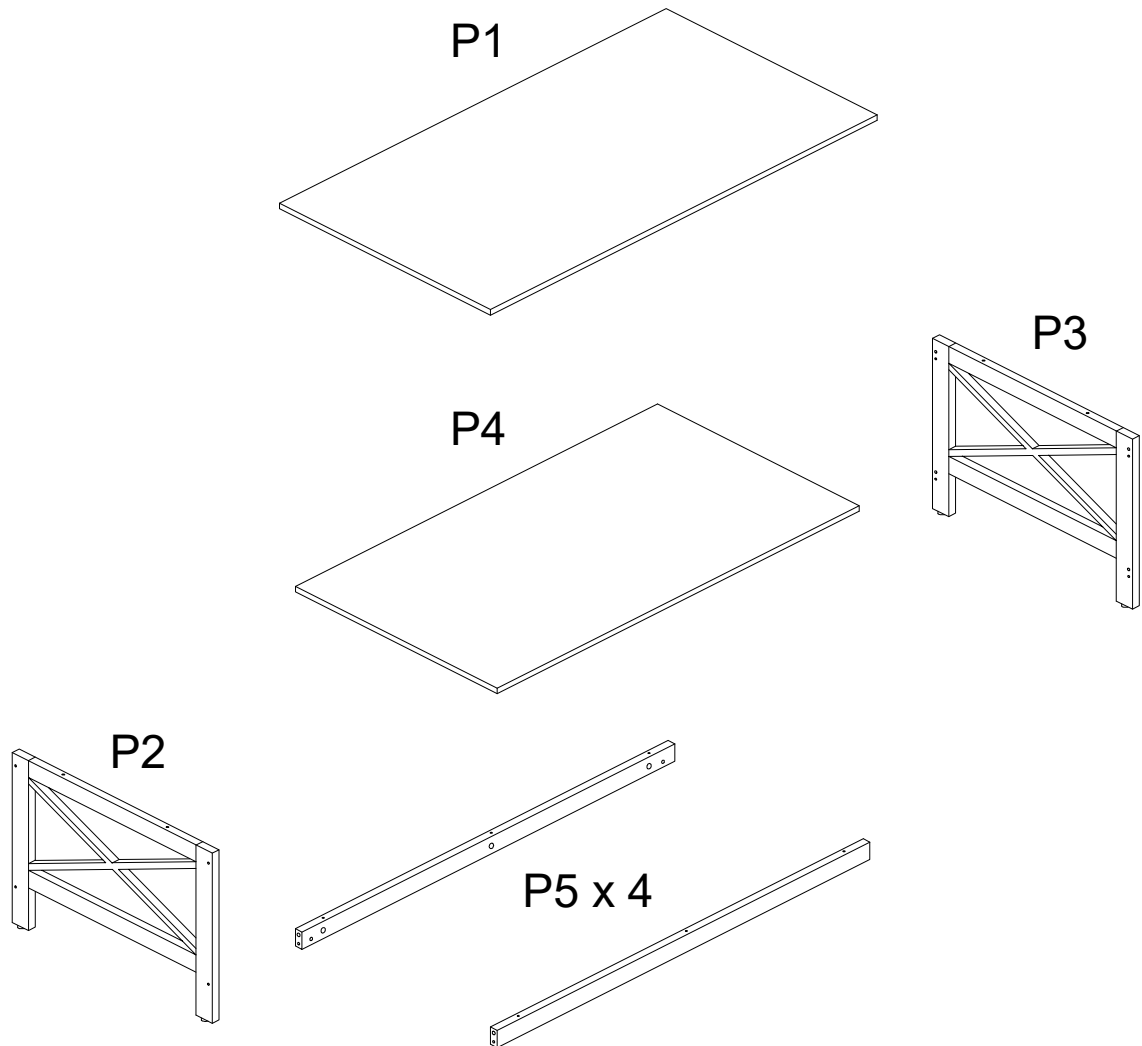
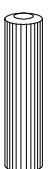
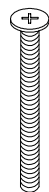
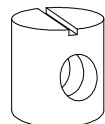





Assembly instructions for step 1/6:

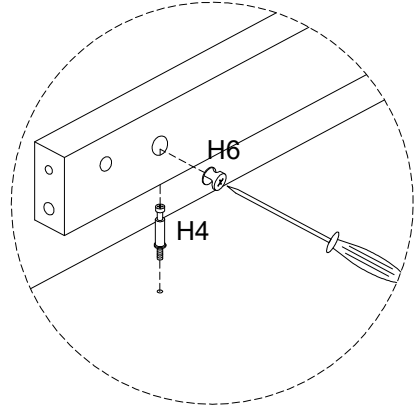
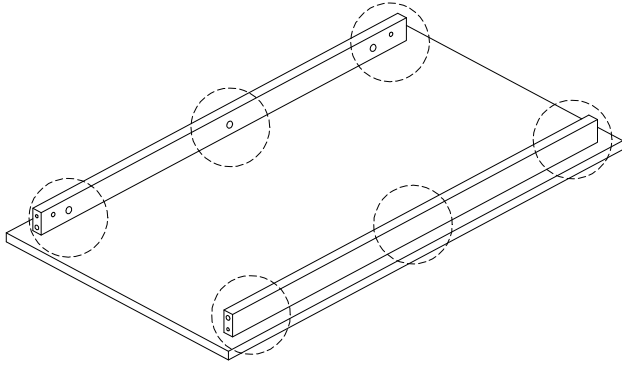
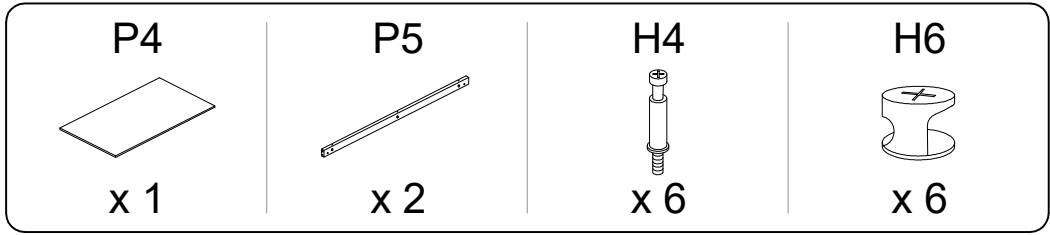
- Tools:** A screwdriver is shown as the required tool. A power drill is shown with a diagonal line through it, indicating it is not to be used.
- Warning:** A triangle with an exclamation mark indicates a warning.
- Time:** A clock icon is shown above the text "35'", indicating the estimated assembly time.
- Personnel:** A stick figure icon is shown above the number "1", indicating that one person is required for assembly.

P1	P2	P3	P4	P5
				
x 1	x 1	x 1	x 1	x 4

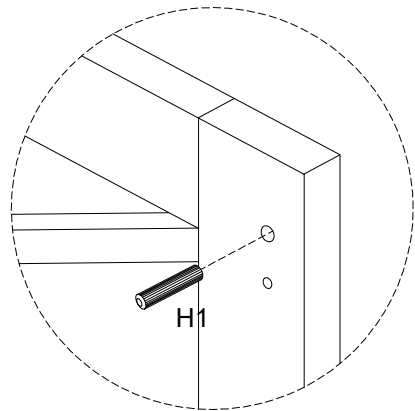
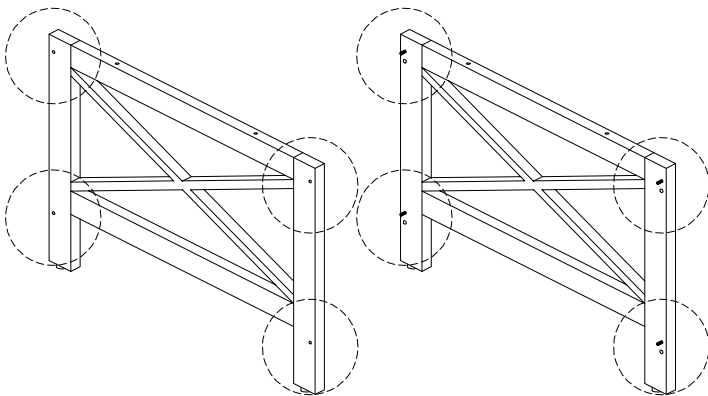
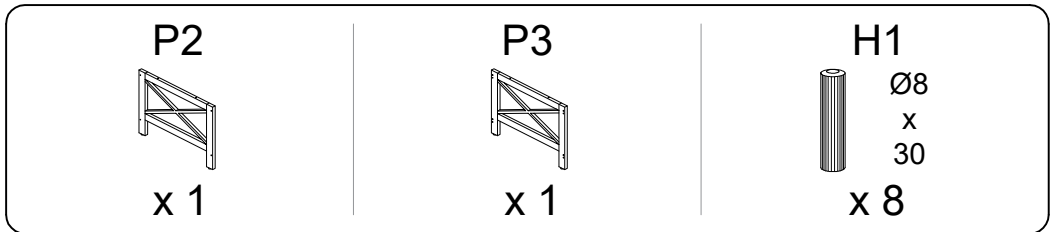


H1	H2	H3	H4	H5	H6
 $\text{\O}8$ x 30	 M6 x 50				
x 12	x 8	x 8	x 12	x 8	x 12

1

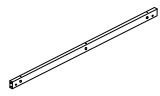


2



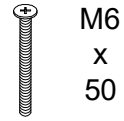
3

P5



x 2

H2

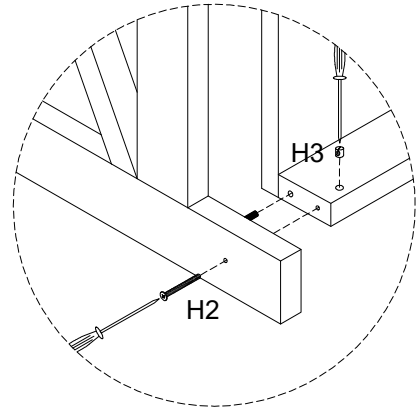
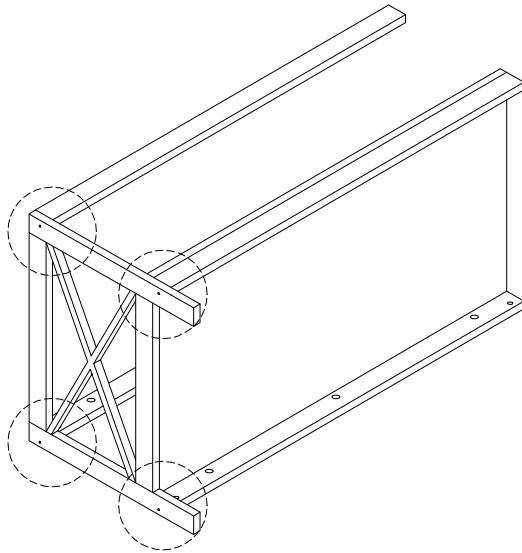


x 4

H3

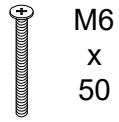


x 4



4

H2

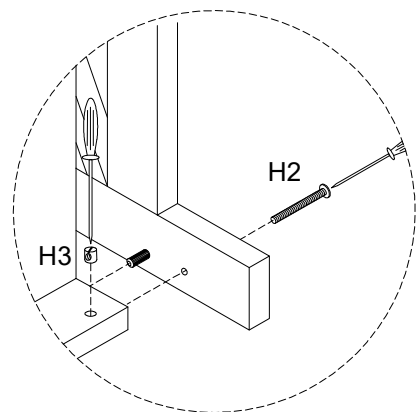
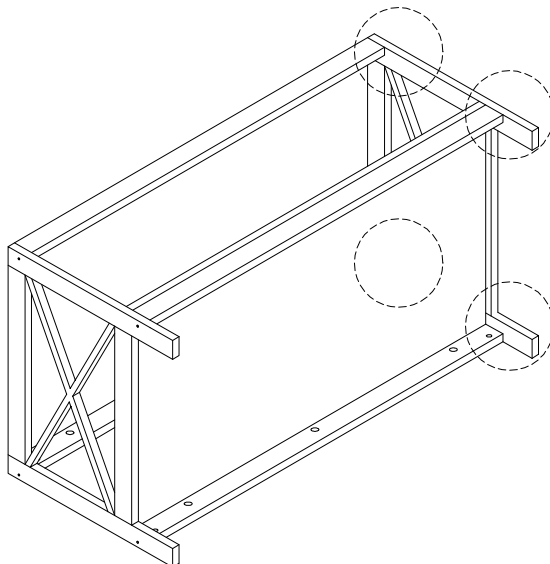


x 4

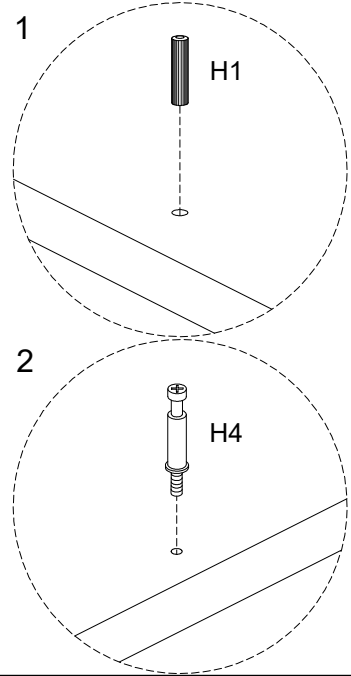
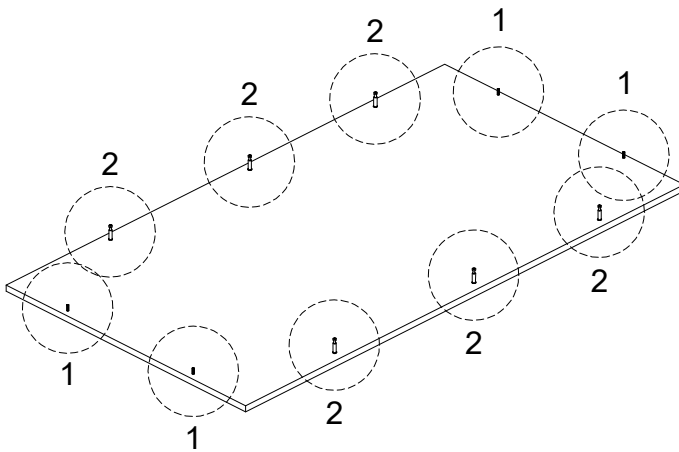
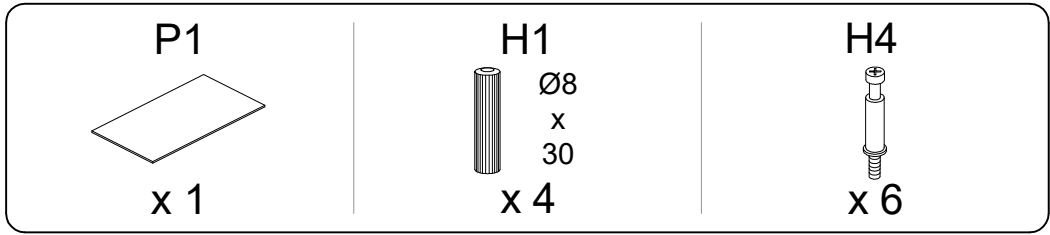
H3



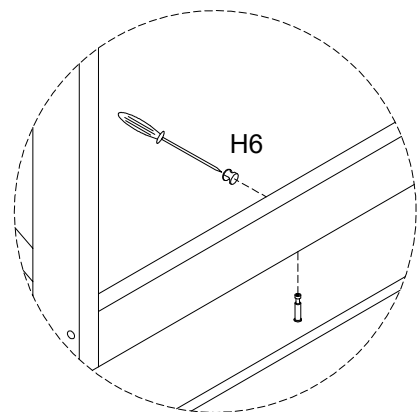
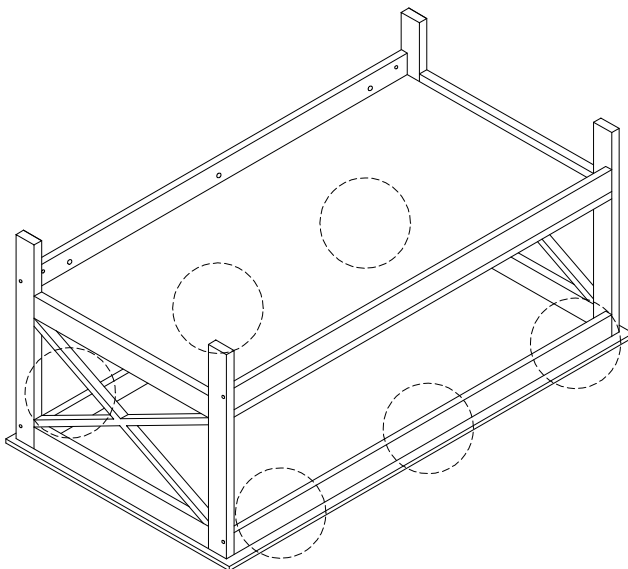
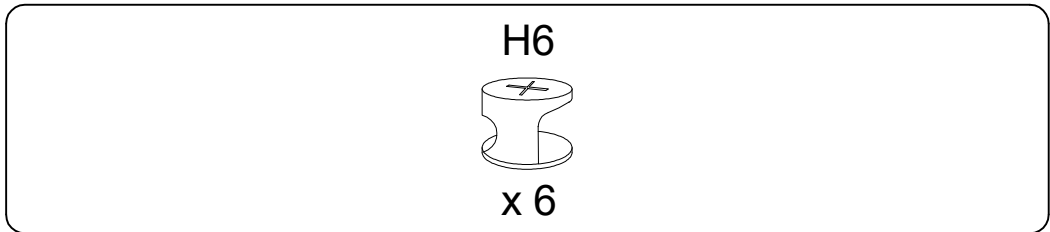
x 4



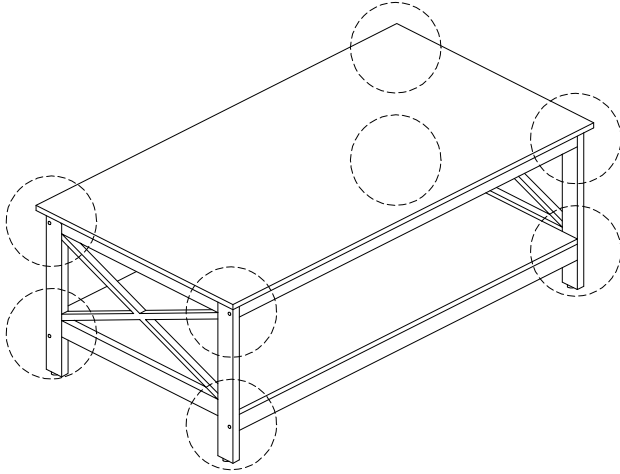
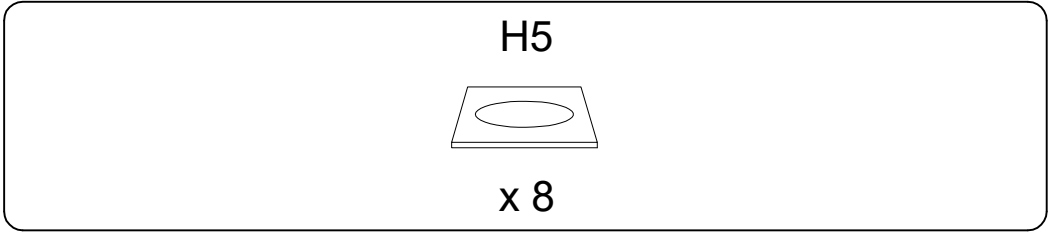
5



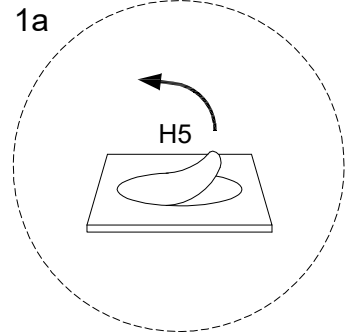
6



7



1a



1b

