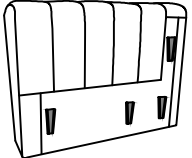
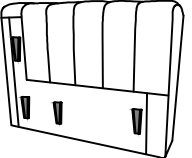
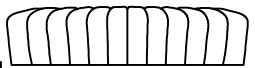
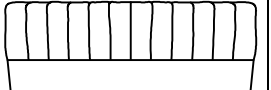

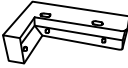

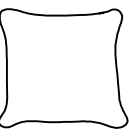

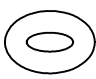



INSTALLION & ASSEMBLY

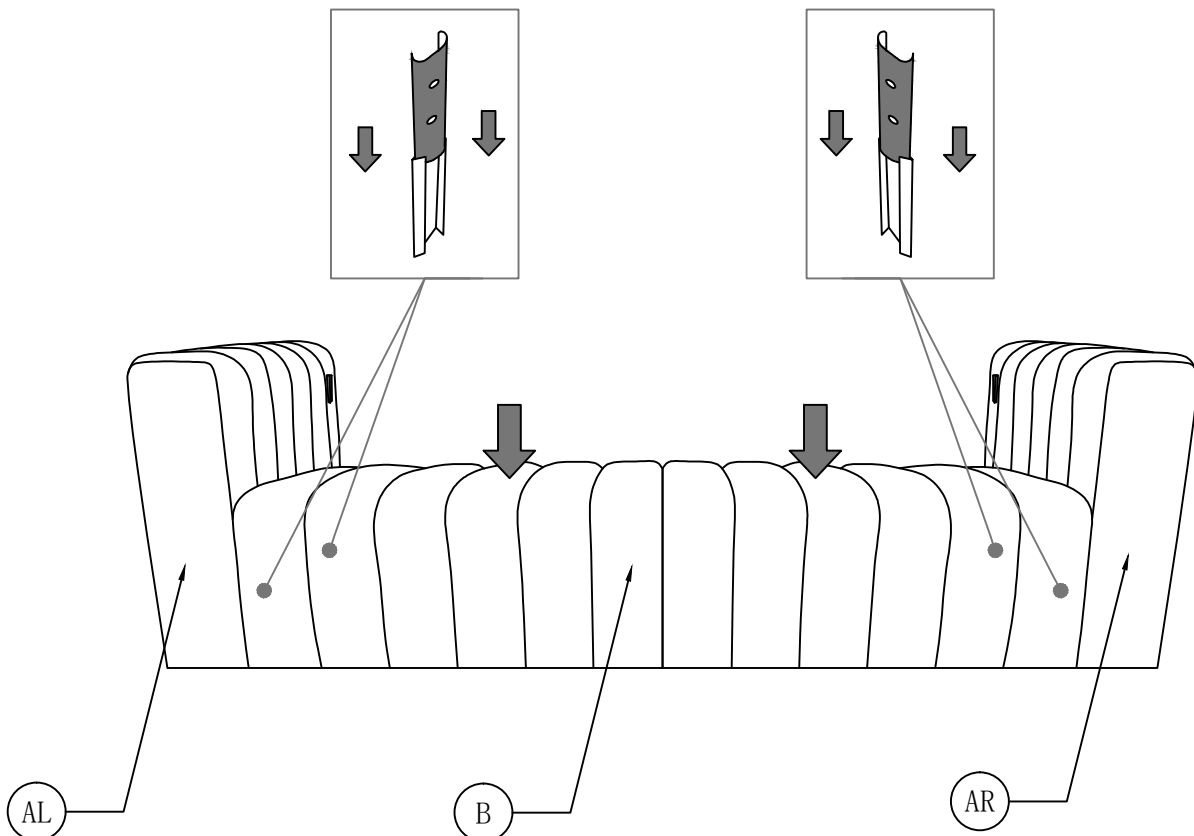
PARTS LIST

AL	 ×1	AR	 ×1	B	 ×1	C	 ×1
DL	 ×2	DR	 ×2	E	 ×1	F	 ×2

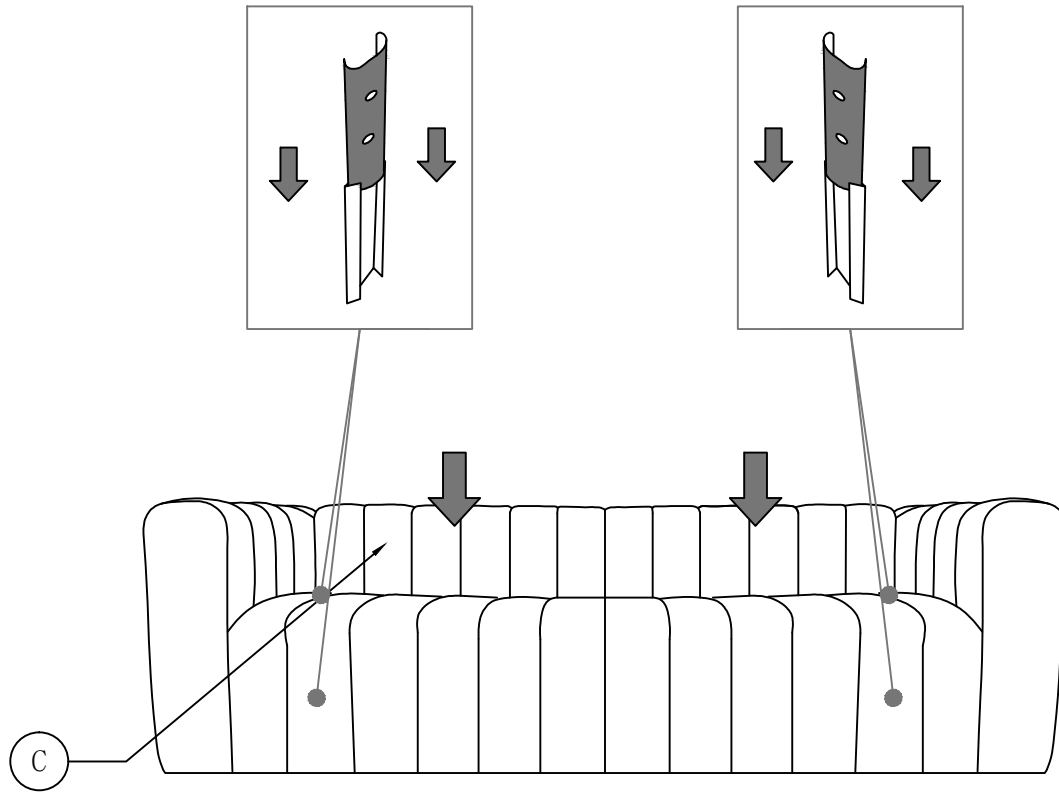
HARDWARE LIST

1	 ×8	2	 ×8	3	 ×1
---	---	---	--	---	--

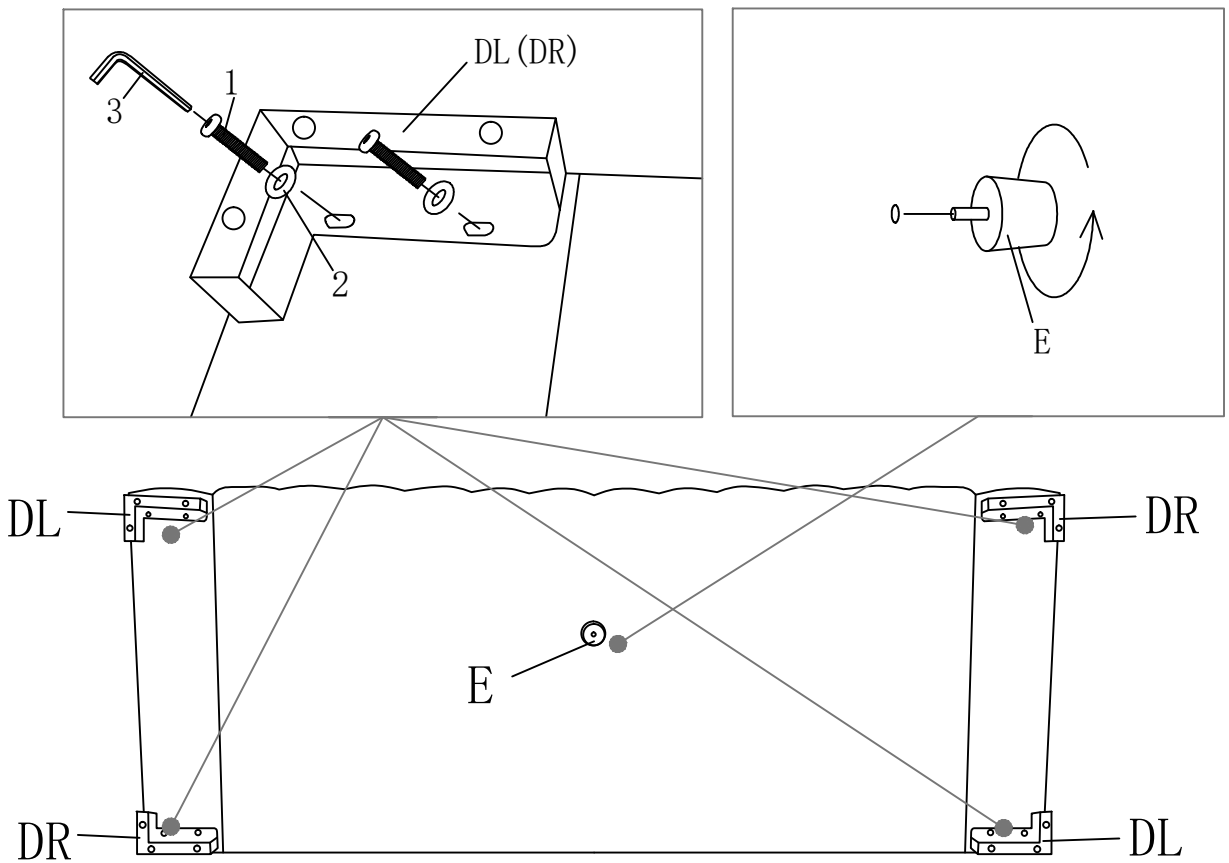
Step1



Step2



Step3



Step4

