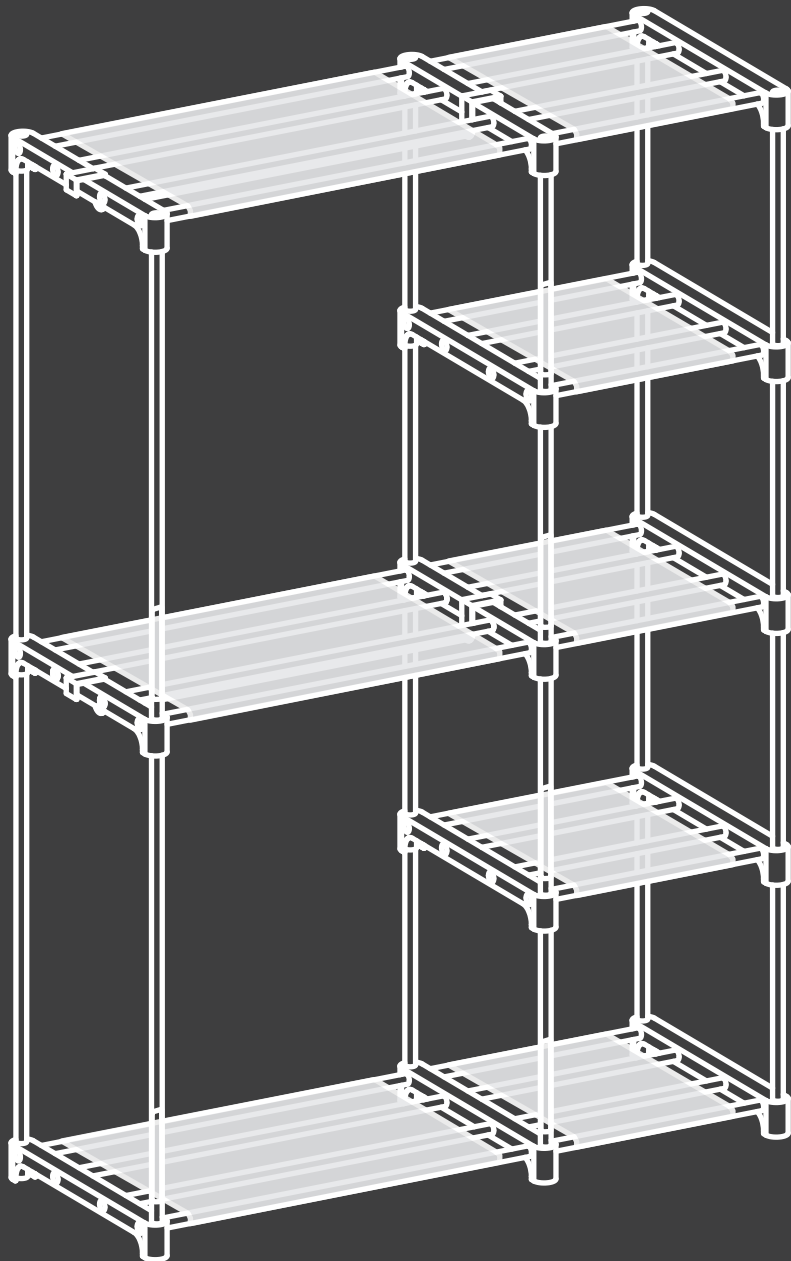


Clothing Rack with Shelves

Instruction Manual



General Information

1. Please read the instructions carefully and use the product accordingly.
2. Please keep this manual and provide it to the next owner if you transfer the product.
3. This manual may not cover every detail of all product variations and steps. Please contact us if you need further information or assistance.

Safety Notes

1. Follow the assembly instructions strictly.
2. Be careful when handling the edges of the tubes.
3. Make sure the steel tubes are fully inserted into the bottom of the plastic parts to prevent instability or fabric tears caused by improper assembly.
4. Place the product on a level surface to ensure better stability.
5. We recommend storing items starting on the bottom shelves and working upward: place heavy items on the bottom and lighter ones on top.
6. Keep the product away from heat sources and chemicals. Place it out of direct sunlight and in a dry area.
7. Please install the anti-tip kit to prevent the product from tipping over.

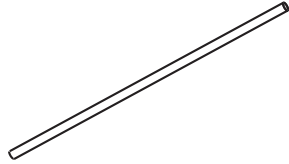
1 Parts List

A x36



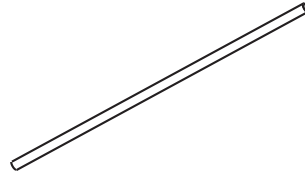
44cm/17.32"

B x12



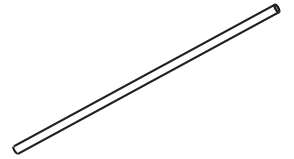
75cm/29.53"

C x4



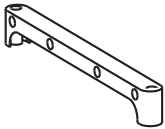
88cm/34.65"

D x2



71cm/27.95"

T3 x13



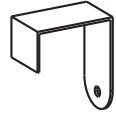
J1 x3



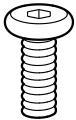
J2 x5



G x4

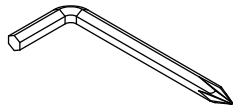


H x4

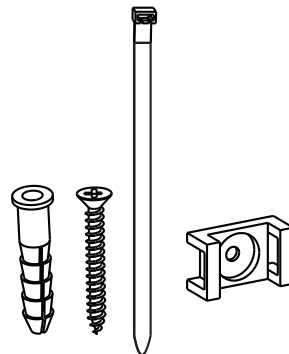


M6*12mm

L x1

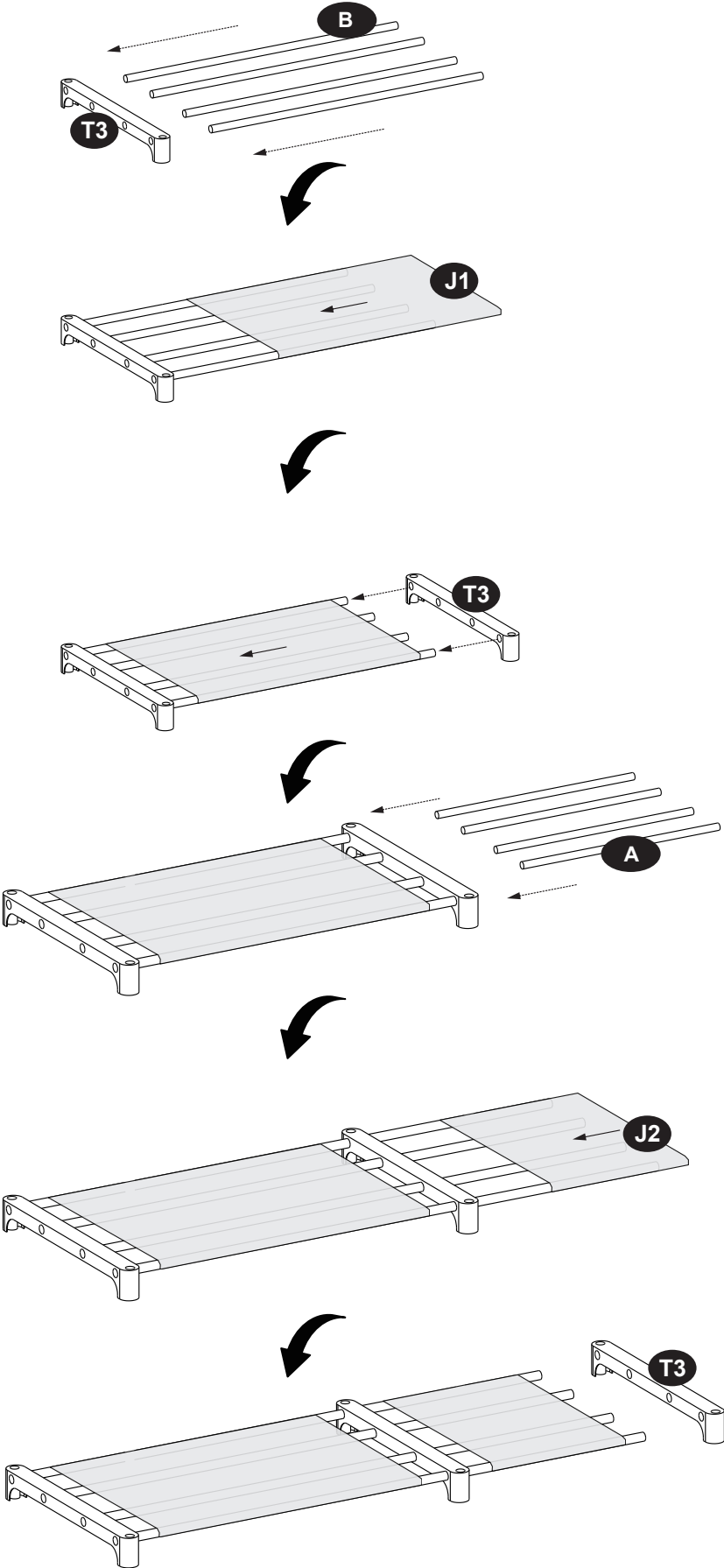


K x2

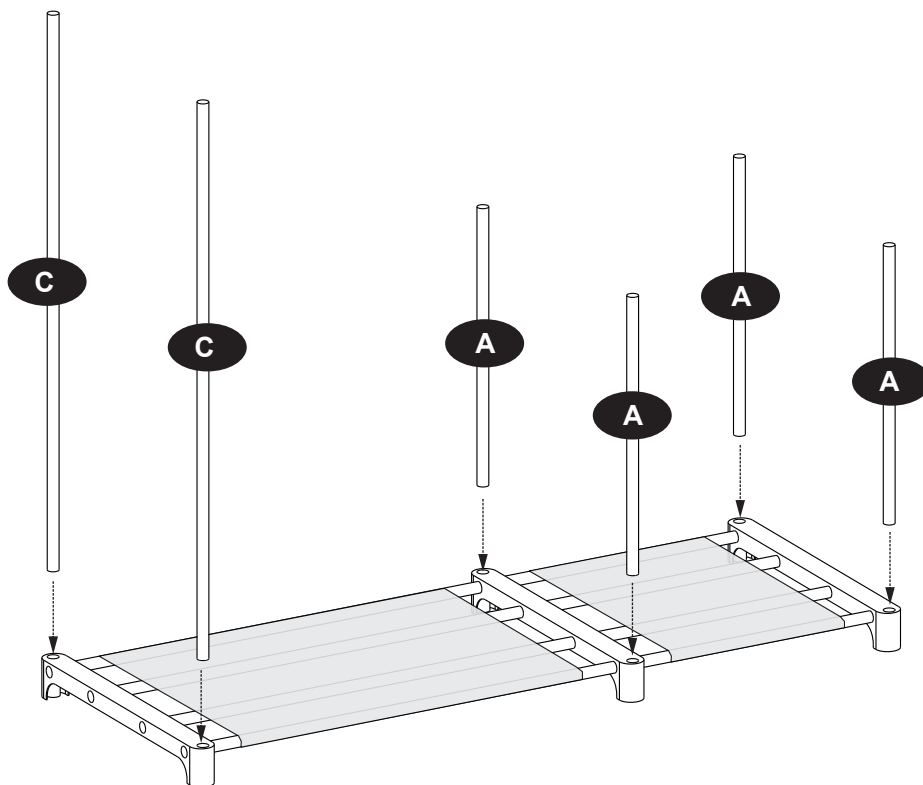


2 Assembly Instruction

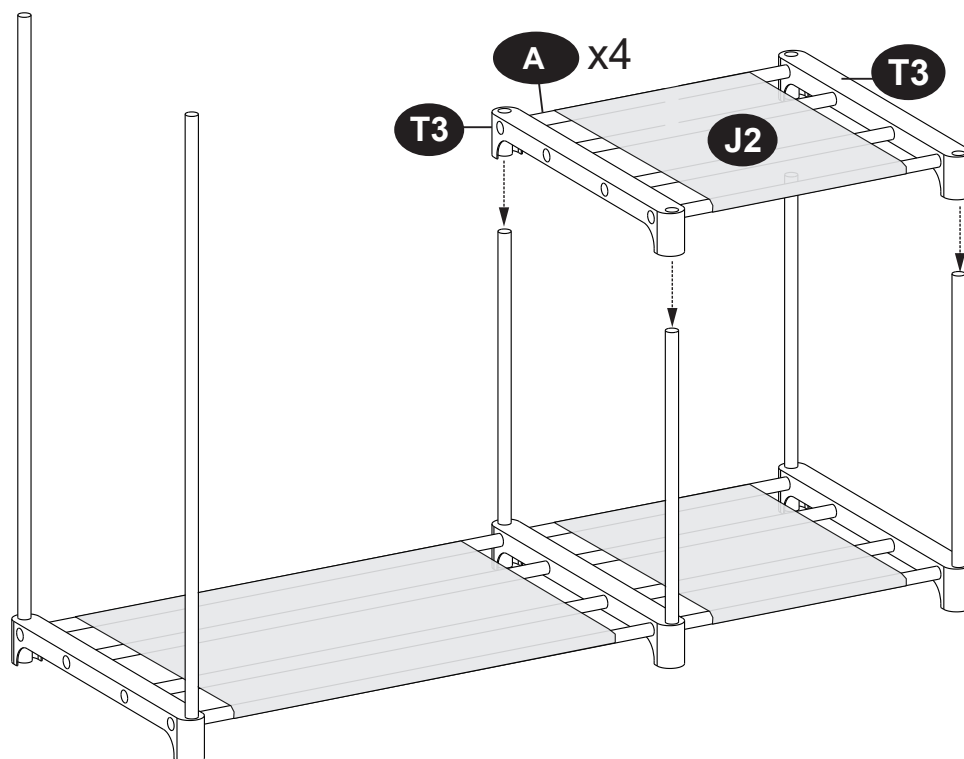
Step 1



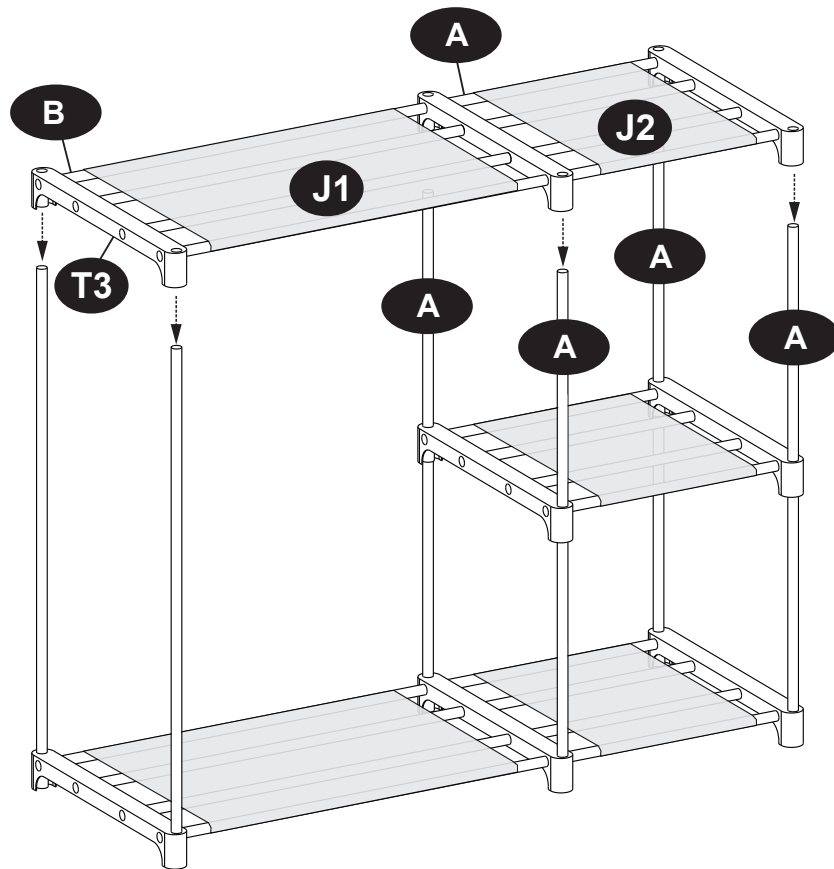
Step 2



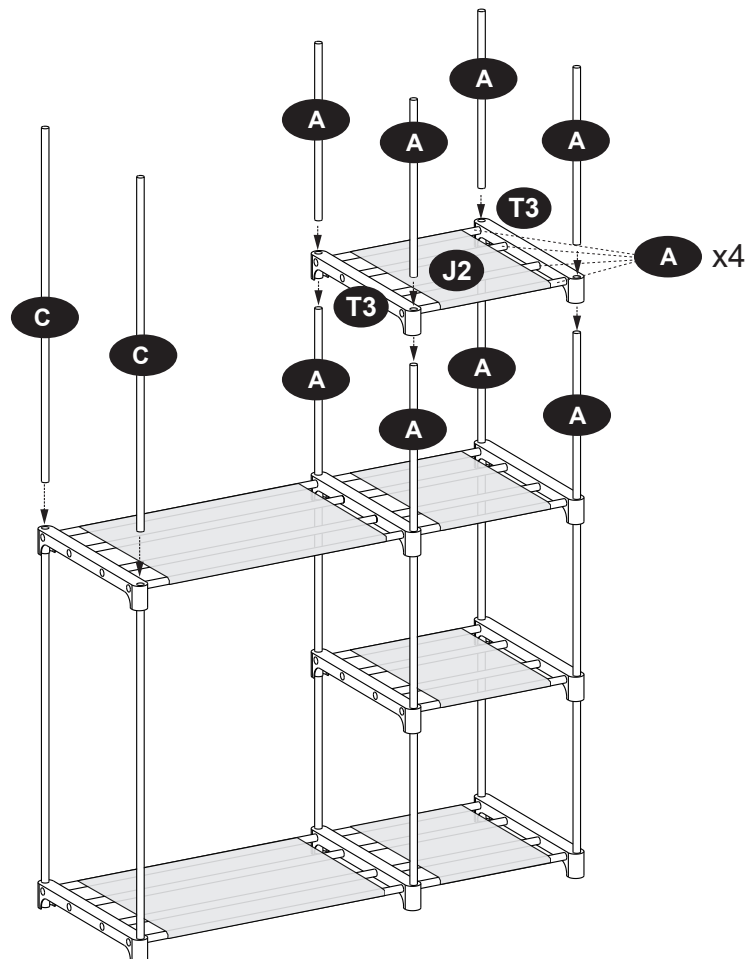
Step 3



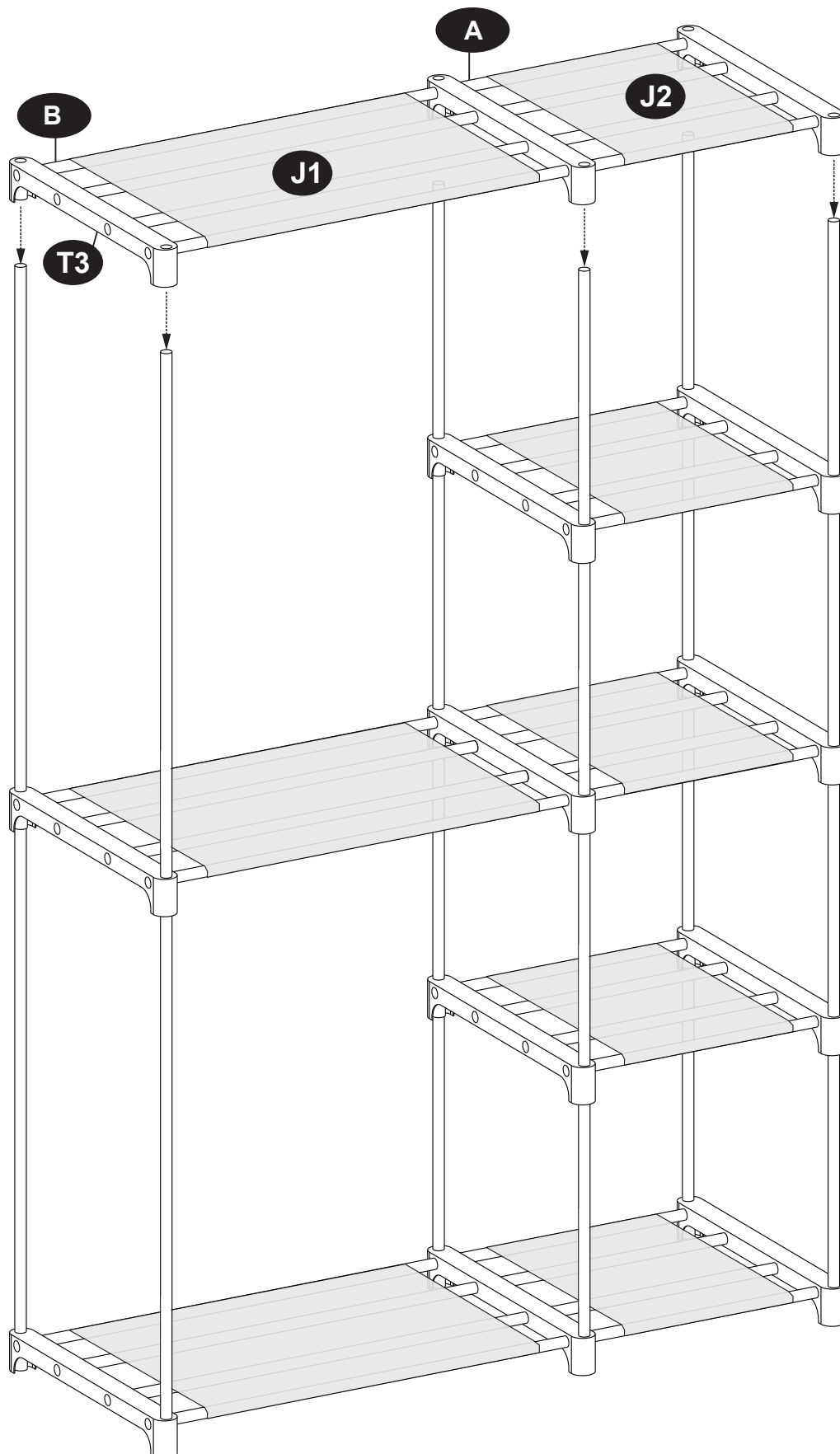
Step 4



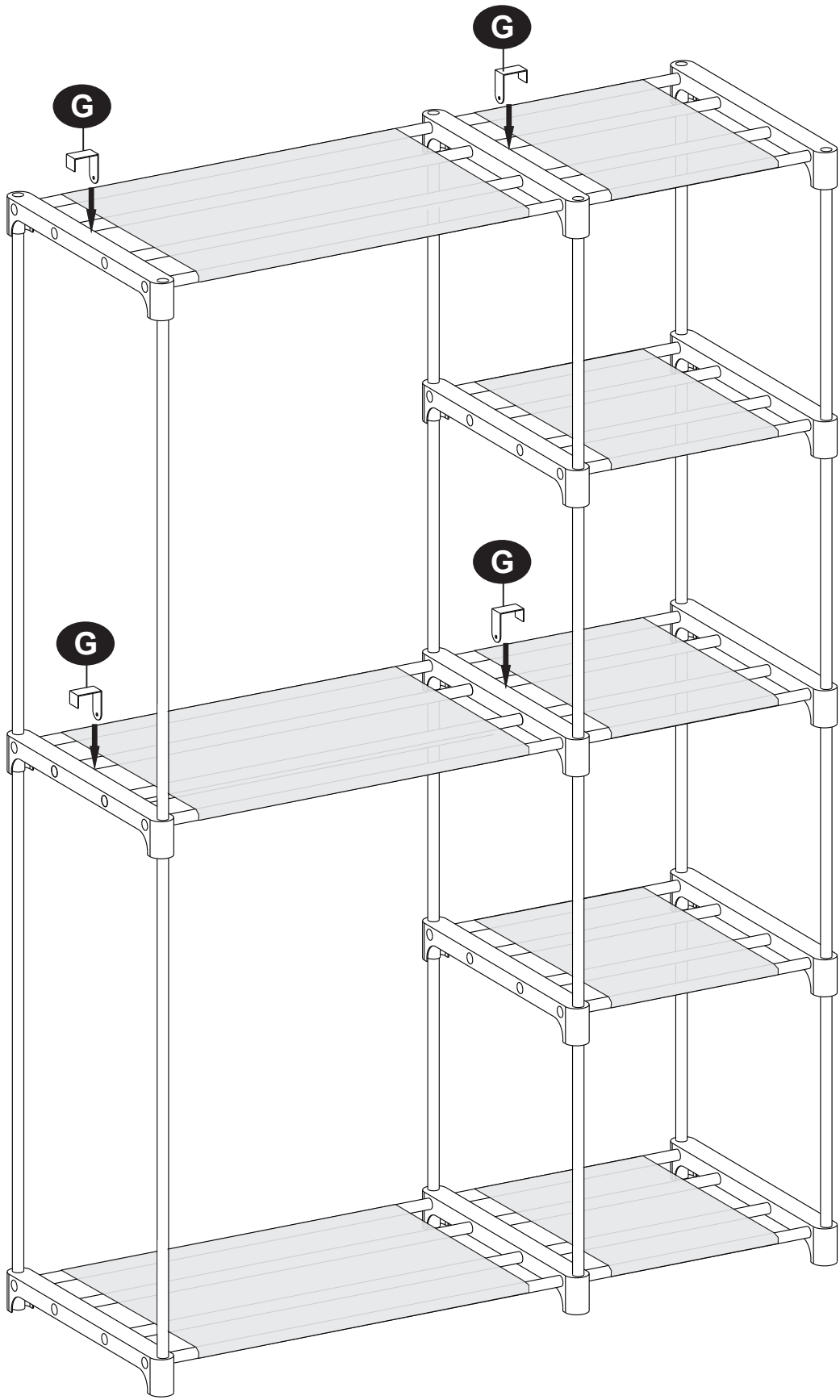
Step 5



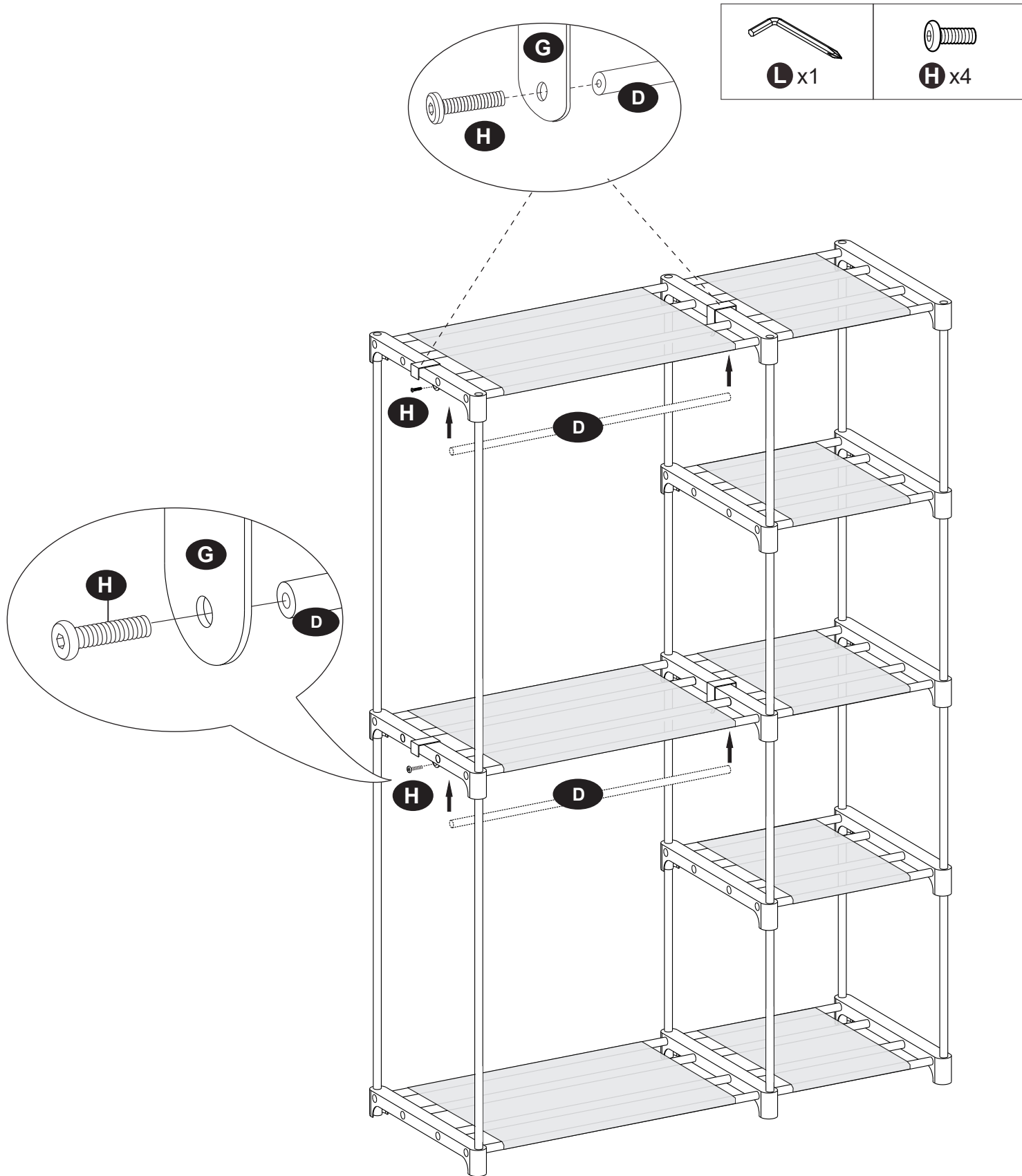
Step 6



Step 7



Step 8



Step 9

