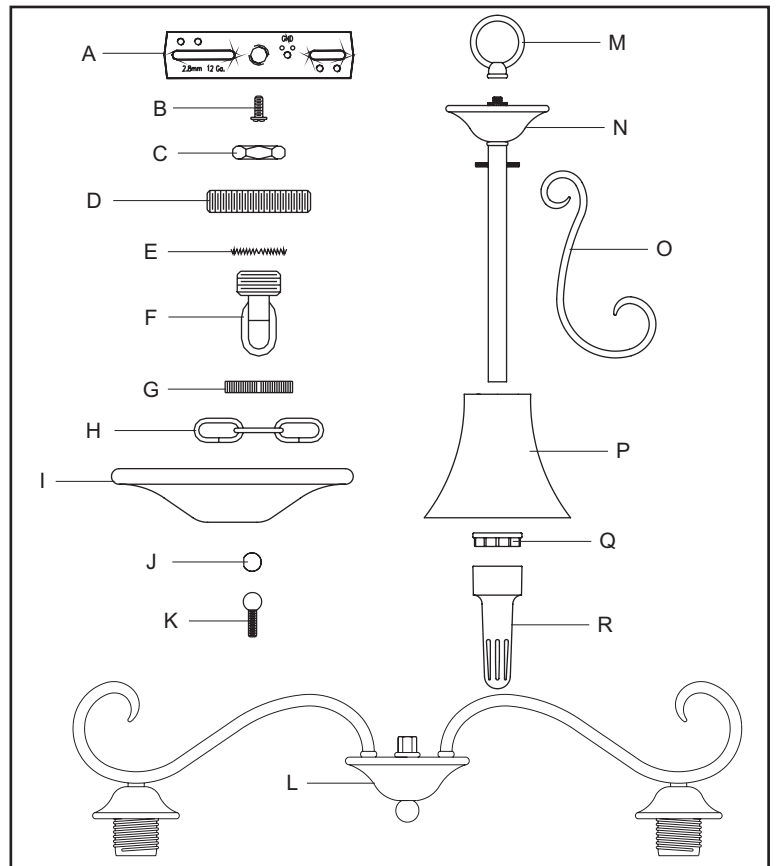


# INSTRUCTION

## PACKAGE CONTENTS

Part	Description	Quantity
A	Crossbar	1pc
B	Green Ground Screw	1pc
C	Hex Nut	2pcs
D	Nipple	1pc
E	Lock Washer	2pcs
F	Canopy Chain Loop	1pc
G	Canopy Lock Ring	1pc
H	Fixture Chain	1pc
I	Ceiling Canopy	1pc
J	Lock Ball	5pcs
K	Lock Screw	5pcs
L	Socket Assembly	1pc
M	Fixture Loop	1pc
N	Center Stem Assembly	1pc
O	Side Arm	5pcs
P	Shade	5pcs
Q	Socket Collar	5pcs
R	Socket Collar Tool	1pc



## ! WARNINGS AND CAUTIONS

### WARNING:

- Before beginning the installation, turn off electricity at the circuit breaker box or the main fuse box by switching off the circuit breaker or removing the fuse.

### CAUTIONS:

- These instructions are provided for your safety. It is very important that they are read completely before the installation of your fixture. We strongly recommend that a professional electrician install the fixture.
- Disconnect fixture from the power source before replacing the bulb(s), making sure the bulb(s) had sufficient time to cool down. DO NOT subject the lamp to any shock while lit as shattering of lamp may result.

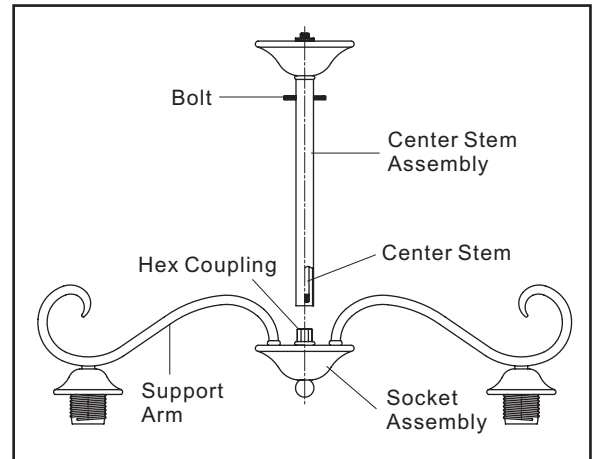
## PREPARATION

- Before beginning installation of product, make sure all parts are present. Compare parts with package contents list and diagram above. If any part is missing or damaged, do not attempt to assemble, install or operate the product. Contact customer service for replacement part.
- Estimated Assembly Time: 30 - 45 minutes
- Tools Required for Assembly (not included): Flathead screwdriver, Phillips screwdriver, pliers, electrical tape, wire cutters, safety glasses & (5)100W A19 Medium Base Bulbs.
- Helpful Tools (not included): Wire Strippers.

## INSTALLATION INSTRUCTIONS

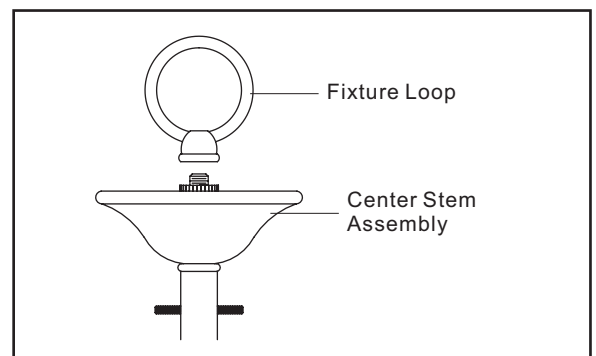
### STEP 1:

- a. Unfold the Support Arms to proper locations.
- b. Thread the end of the Center Stem into the Hex Coupling on the top center of the Socket Assembly. Please line up the Bolts on the side of the Center Stem Assembly and Support Arms before you tighten them together.



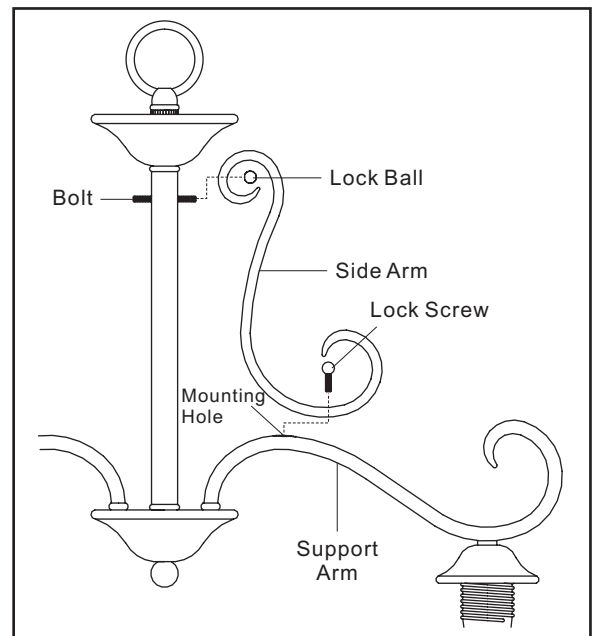
### STEP 2:

- a. Thread the Fixture Loop onto the nipple on the top center of the Center Stem Assembly. Hand tighten until snug.



### STEP 3:

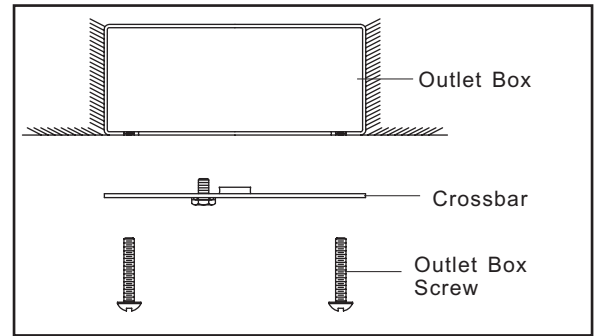
- a. Locate the small scroll end of the Side Arm over the Bolt and line up the hole on the other end onto the Mounting Hole on the Support Arm. Secure by threading the Lock Ball onto the Bolt and screwing the Lock Screw into the Mounting Hole. Hand tighten until snug.



## INSTALLATION INSTRUCTIONS

### STEP 4:

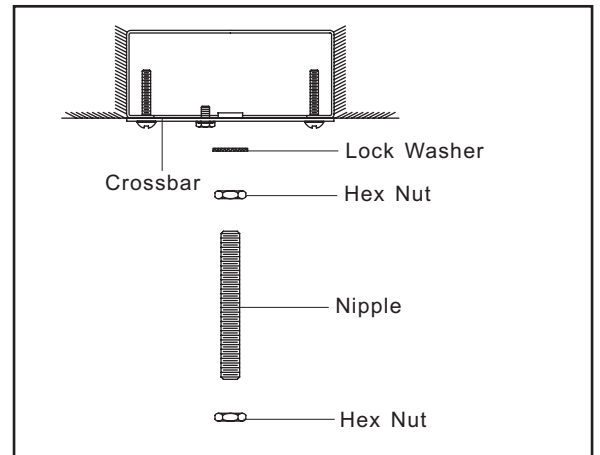
- Secure the Crossbar onto the Outlet Box with Outlet Box Screws. Tighten until snug.



### STEP 5:

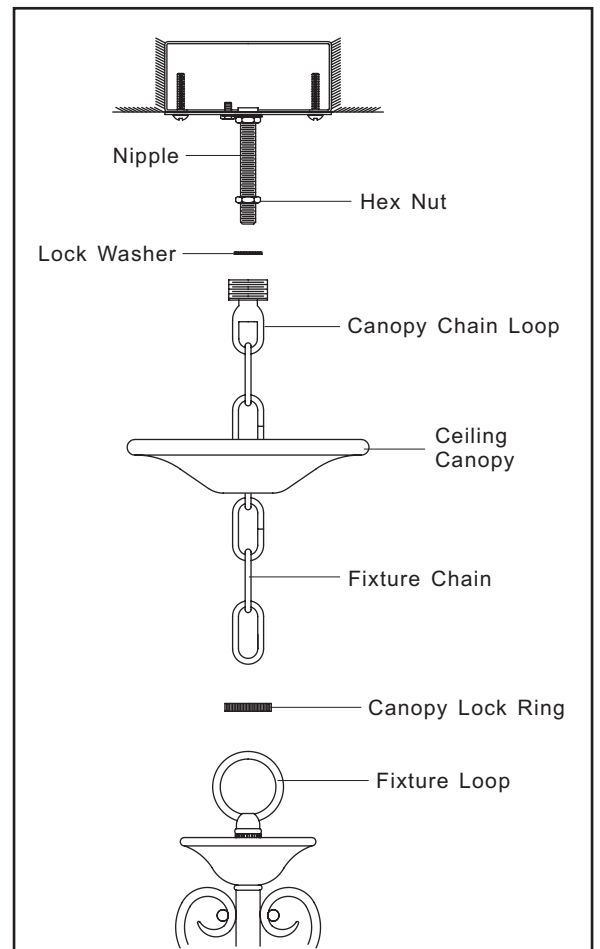
\* Pliers is required on this step.

- Thread one Hex Nut onto top end of the Nipple.
- Place one Lock Washer over the top end of the Nipple and then thread the Nipple into the center lock hole of the Crossbar.
- Using pliers, thread the Hex Nut against the crossbar and hand tighten until snug.
- Thread another Hex Nut onto the bottom end of the Nipple.



### STEP 6:

- Adjust the Fixture Chain to your desired length by removing the links if needed.  
\* Please note that depends on chain material thickness, you might be required to use chain pliers to spread links open.
- Pull the supply wires through the Fixture Chain alternating links. And then pull the wires through the following components in turn: Canopy Lock Ring, Ceiling Canopy, Canopy Chain Loop, Lock Washer, and Nipple.
- Place Lock Washer over the end of the Nipple and thread the Canopy Chain Loop onto the end of the Nipple.
- Using plier, thread the Hex Nut against the Canopy Chain Loop and tighten until snug.
- Attach one end of the Fixture Chain onto the Fixture Loop and attach the another end of the chain onto the Canopy Chain Loop.
- Refer to Step 7 – Wire Connections to connect wires.
- Push the Ceiling Canopy upward over the Outlet Box.
- Thread the Canopy Lock Ring onto the Canopy Chain Loop and tighten until snug to secure the Ceiling Canopy.

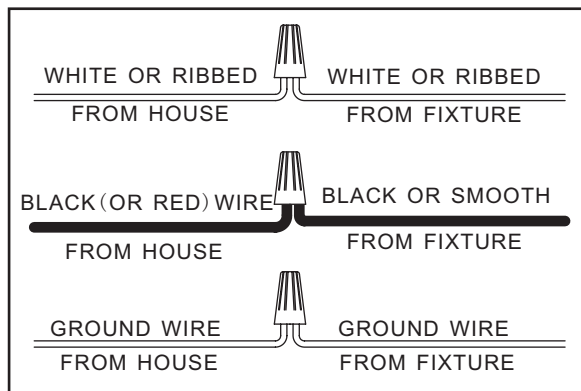


## INSTALLATION INSTRUCTIONS

### STEP 7:

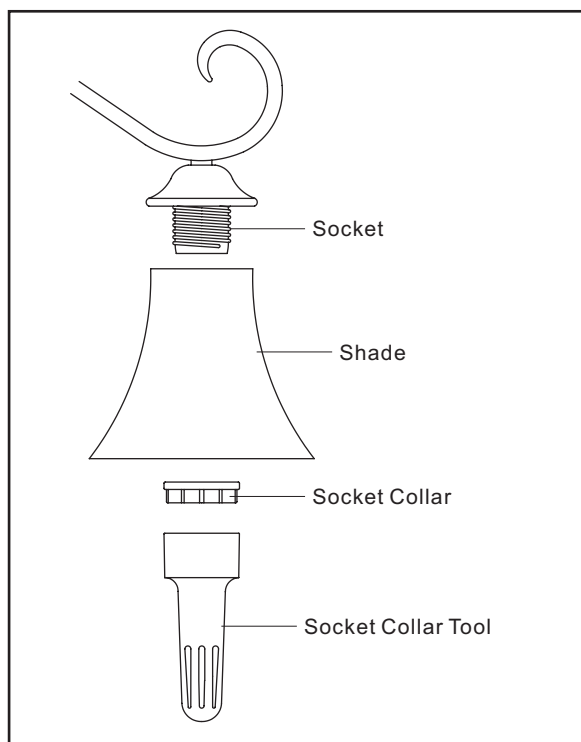
\*Use Wire Connectors (not supplied) to connect the wires.

- Connect the House Ground Wire to the Fixture Ground Wire.
- Connect the House White (or Ribbed) Wire to the Fixture Supply Wire (White or Ribbed Side).
- Connect the House Black (or Red) Wire to the Fixture Supply Wire (Black or Smooth Side).
- Wrap each connection with approved electrical tape and carefully stuff all of the connected wires into the Outlet Box.



### STEP 8:

- Place the Shade over the Socket as shown. Using the Socket Collar Tool, thread the Socket Collar onto the Socket to secure the Shade. Hand tighten until snug.



### STEP 9:

- Install correct Bulbs referring to fixture markings and/or labels for maximum wattage.

Your installation is completed now. Restore electricity. Retain this sheet for future reference.