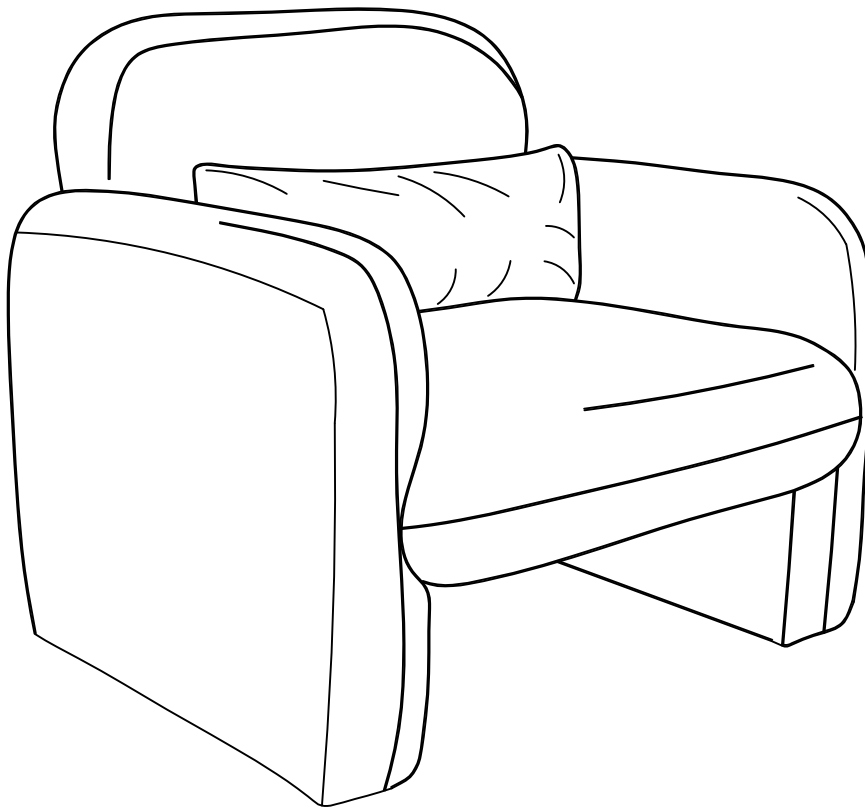


---

# Assembly Manual

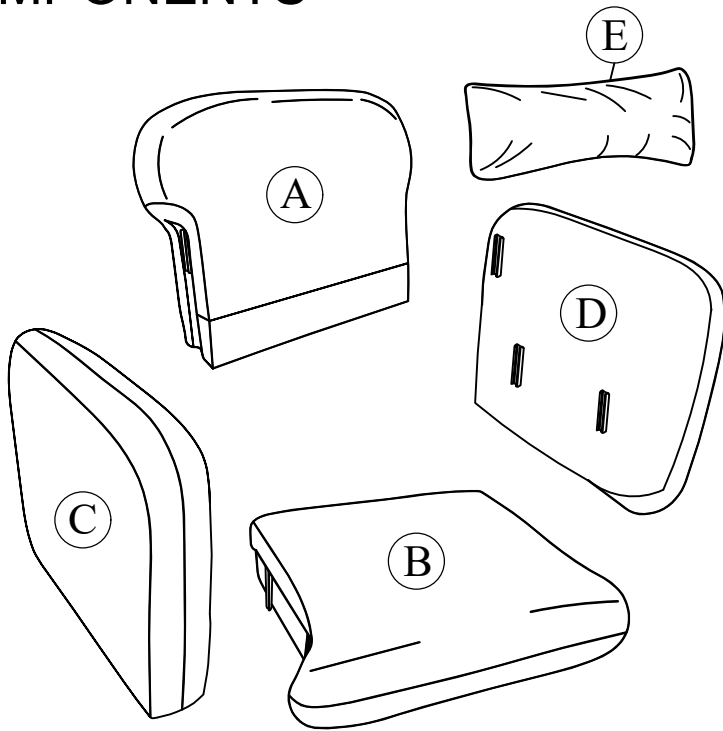


**▲ CAUTION**

THIS ASSEMBLY MANUAL CONTAINS IMPORTANT SAFETY INFORMATION.  
PLEASE READ AND KEEP FOR FUTURE REFERENCE.

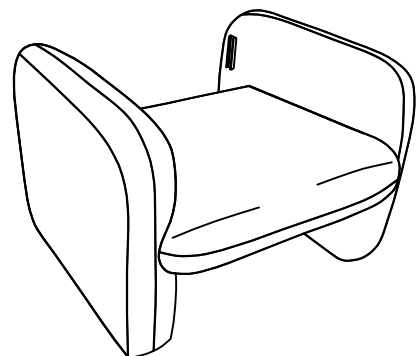
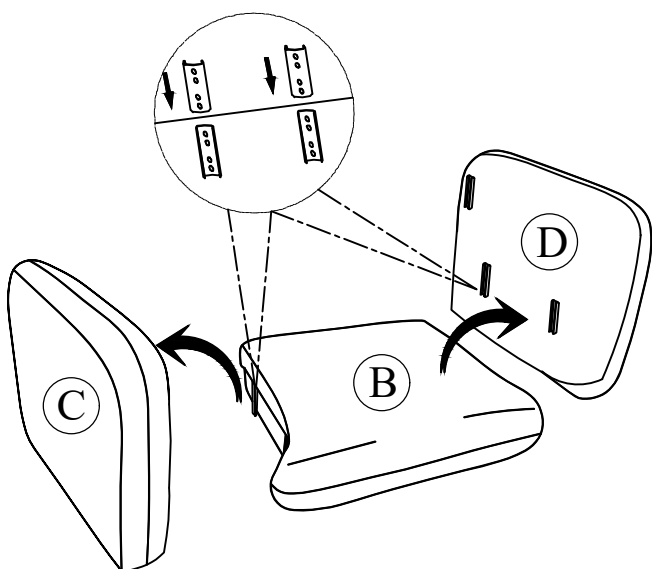
---

# COMPONENTS

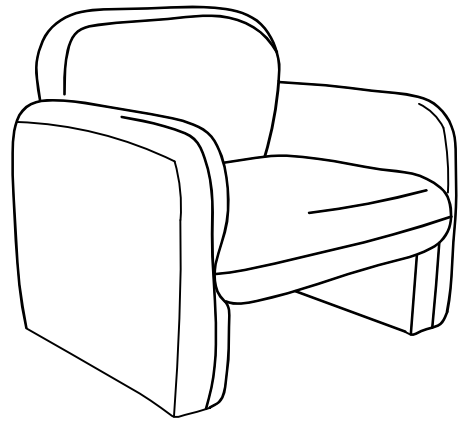
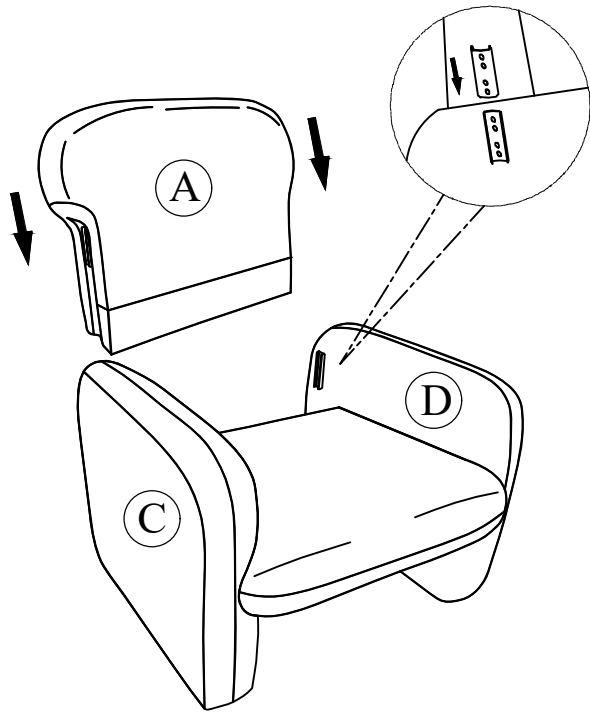


- Ⓐ Chair Back  
1X
- Ⓑ Chair Base  
1X
- Ⓒ Left Armrest  
1X
- Ⓓ Right Armrest  
1X
- Ⓔ Pillow  
1X

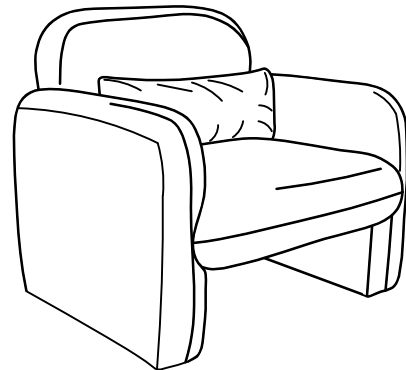
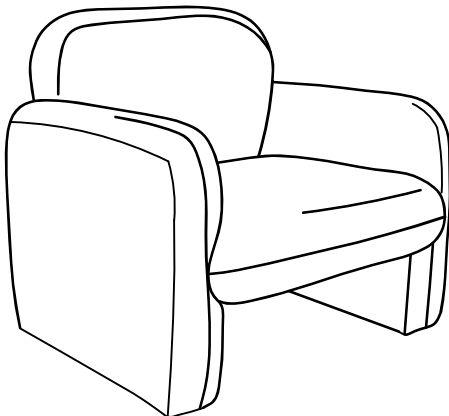
①



2



3



Completed