

Product Assembly Instructions

A: Seat x 1



B: Footrest x 1



C: Gas lift x 1



D: Ring x 1



E: Base x 1



F: Bolt x 4

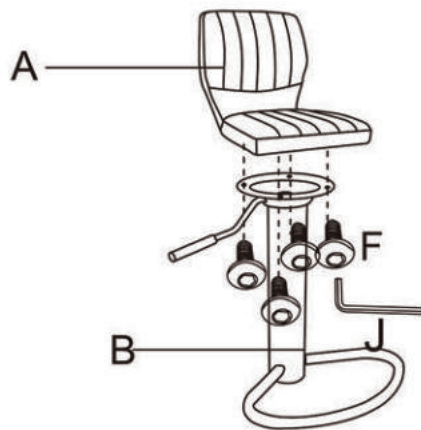


M6*16mm

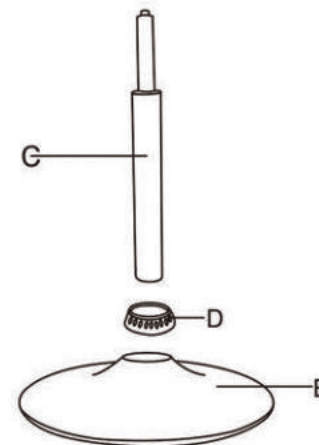
J: Wrench x 1



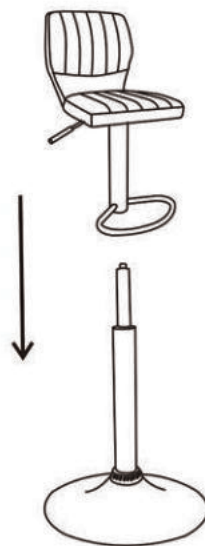
STEP 1



STEP 2



STEP 3



STEP 4

