

10mm size tolerance due to clay absorbtion



Item NO.

BA B400MO WH

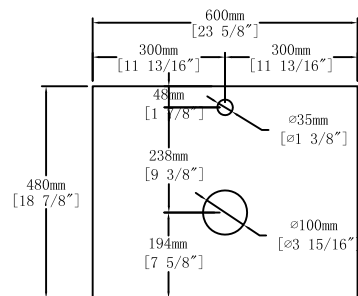
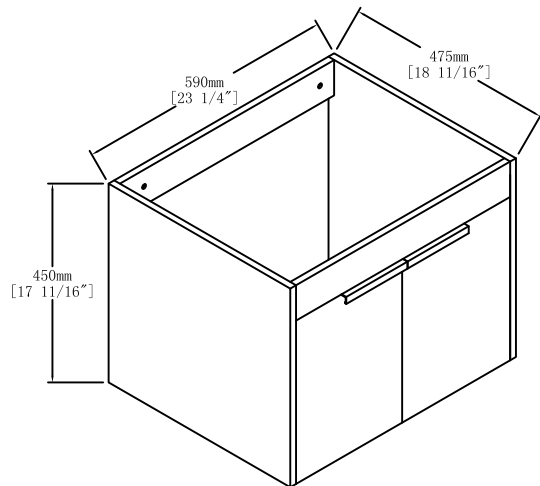
Version

V1

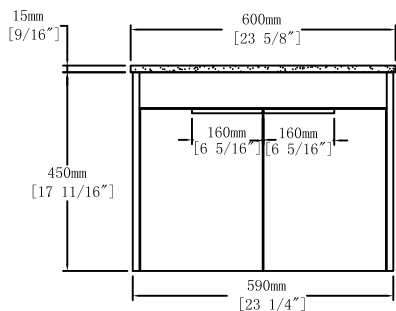
Projece

Date

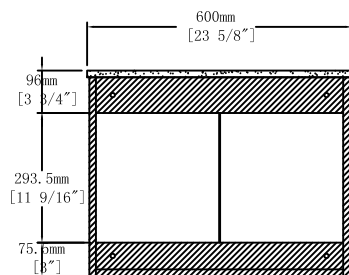
2022-11-23



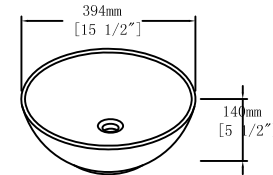
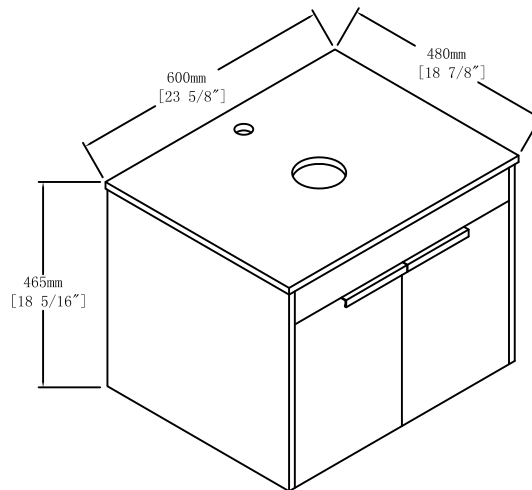
Top View



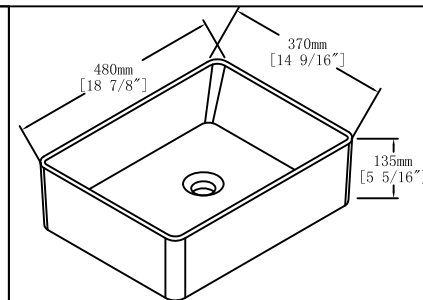
Front View



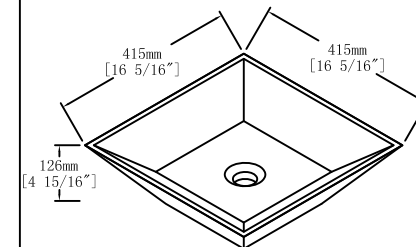
Back View



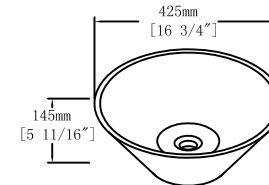
BA B321MO WH



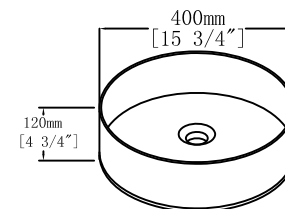
BA B110MO WH



BA B101MO WH



BA B217MO WH



BA B400MO WH



Item NO.

BV C04224

Version

V1

Projece

Date

2022-11-23