

Heavy Duty TV Cart with Shelves

SKU: STAND-TV100D

Instruction Manual

Assembly Video & Product Info
www.vivo-us.com/products/stand-tv100d



! CAUTION! !

If you do not understand these directions, or if you have any doubts about the safety of the installation, please contact our product support team at 309-278-5303 or help@vivo-us.com for further assistance. Check carefully to make sure there are no missing or defective parts. Improper installation may cause damage or serious injury. Do not use this product for any purpose that is not explicitly specified in this manual. Do not exceed weight capacity. We cannot be liable for damage or injury caused by improper mounting, incorrect assembly or inappropriate use.



WARNING: CHOKING HAZARD

SMALL PARTS - NOT FOR CHILDREN UNDER 3 YEARS. ADULT SUPERVISION IS REQUIRED.



DO NOT EXCEED WEIGHT CAPACITY

FAILURE TO DO SO MAY RESULT IN SERIOUS INJURY.



TIPOVER WARNING

SERIOUS OR FATAL CRUSHING INJURIES CAN OCCUR FROM TIPOVER.

TO HELP PREVENT TIPOVER:

- NEVER ALLOW CHILDREN TO CLIMB, STAND, HANG, OR PLAY ON ANY PART OF TV STAND
- USE TIPOVER RESTRAINT OR ANCHOR STAND TO WALL.

NOTE: USE OF TIPOVER RESTRAINTS MAY ONLY REDUCE, BUT NOT ELIMINATE RISK OF TIPOVER.



DO NOT ADJUST WHILE PLUGGED IN

ALWAYS UNPLUG CABLES BEFORE MOVING THE STAND.

FAILURE TO DO SO MAY CAUSE DAMAGE TO CABLES AND OUTLETS.

We're Here for You

Open **Monday - Friday 7:00am - 7:00pm CST**,

our dedicated support team can offer immediate assistance with rapid response times. If any parts are received damaged or defective, please contact us. We are happy to replace parts to ensure you have a fully functioning product.



Give us a Call:

309-278-5303

AVG. RESOLUTION TIME *(within office hrs)*: **5M 4S**



Chat Us:

www.vivo-us.com

AVG. RESOLUTION TIME *(within office hrs)*: **< 15 M**



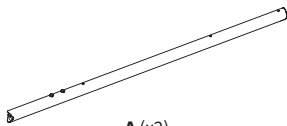
Email Us:

help@vivo-us.com

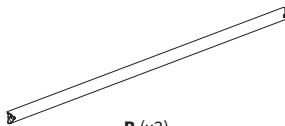
AVG. RESPONSE TIME *(within office hrs)*: **1HR 8M**

- 23% within < 15m
- 38% within < 30m
- 61% within < 1hr
- 83% within < 2hr
- 92% within < 3hr

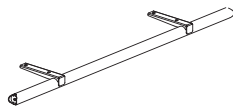
Package Contents



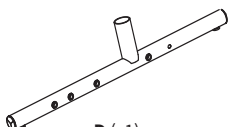
A (x2)
Vertical Support



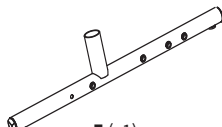
B (x3)
Crossbar



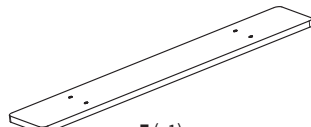
C (x1)
Shelf Support



D (x1)
Left Foot



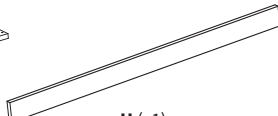
E (x1)
Right Foot



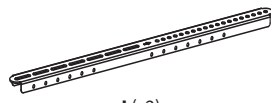
F (x1)
Upper Shelf



G (x1)
Lower Shelf



H (x1)
Back Shelf Panel



I (x2)
VESA Bracket



J (x2)
Diagonal Support



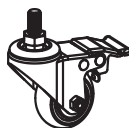
K (x2)
Lower Shelf Bracket



L (x1)
Tray



M (x2)
Side Shelf Panel



N (x4)
Caster



O (x4)
Mounting Bracket



P (x2)
Locking Bracket



Q (x2)
Cable Clip

Included Hardware & Tools



S-A (x12)
M8x20mm
Screw



S-B (x10)
M8x50mm
Screw



S-C (x8)
M6x12mm
Screw



S-D (x10)
ST3.5x20mm
Screw



S-E (x3)
ST3.5x12mm
Screw



S-F (x2)
M5x18mm
Screw



S-G (x10)
M5x8mm
Screw



S-H (x7)
Wooden Dowel
Spin



M-A (x4)
M4x12mm
Screw



M-B (x4)
M4x30mm
Screw



M-C (x4)
M6x20mm
Screw



M-D (x4)
M6x35mm
Screw



M-E (x4)
M8x20mm
Screw



M-F (x4)
M8x35mm
Screw



M-G (x4)
M8x50mm
Screw



M-H (x4)
M4 Washer



M-I (x4)
M6 Washer



M-J (x4)
M8 Washer



M-K (x4)
M6 Spacer



M-L (x4)
M8x20mm
Spacer



M-M (x8)
M8x5mm
Spacer



T-A (x1)
Wrench



T-B (x1)
4mm Allen
Wrench



T-C (x1)
5mm Allen
Wrench

Tools Needed:



**Phillips
Screwdriver**

Weight Capacity:



TV

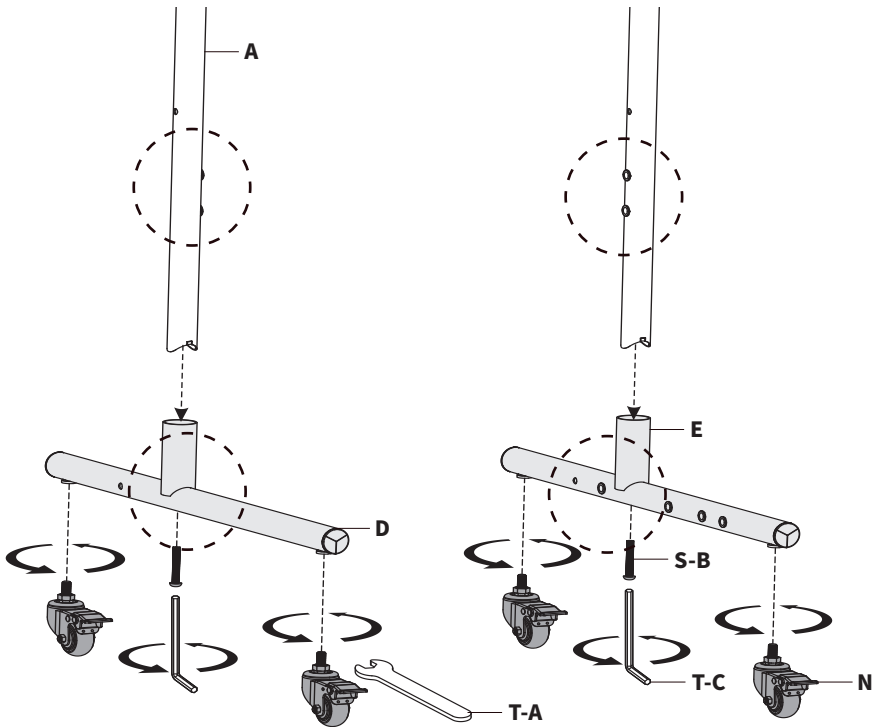


Shelf

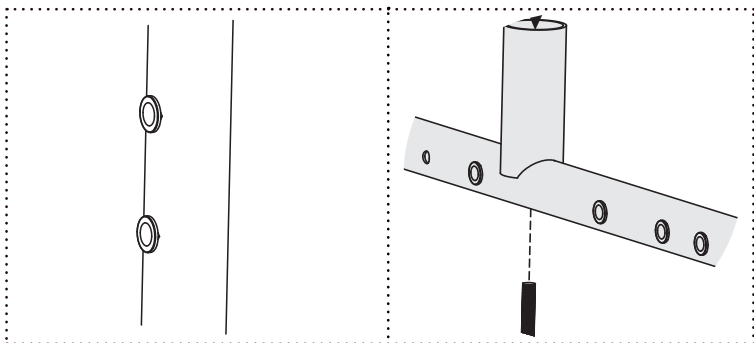
ASSEMBLY STEPS

STEP 1

Attach Vertical Supports (**A**) to Left and Right Feet (**D,E**) using M8x50mm Screws (**S-B**) and 5mm Allen Wrench (**T-C**). Attach Casters (**N**) to feet using Wrench (**T-A**).



Ensure rivet nuts on parts A, D, and E, are facing inwards towards each other.

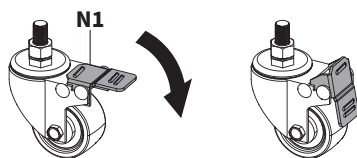
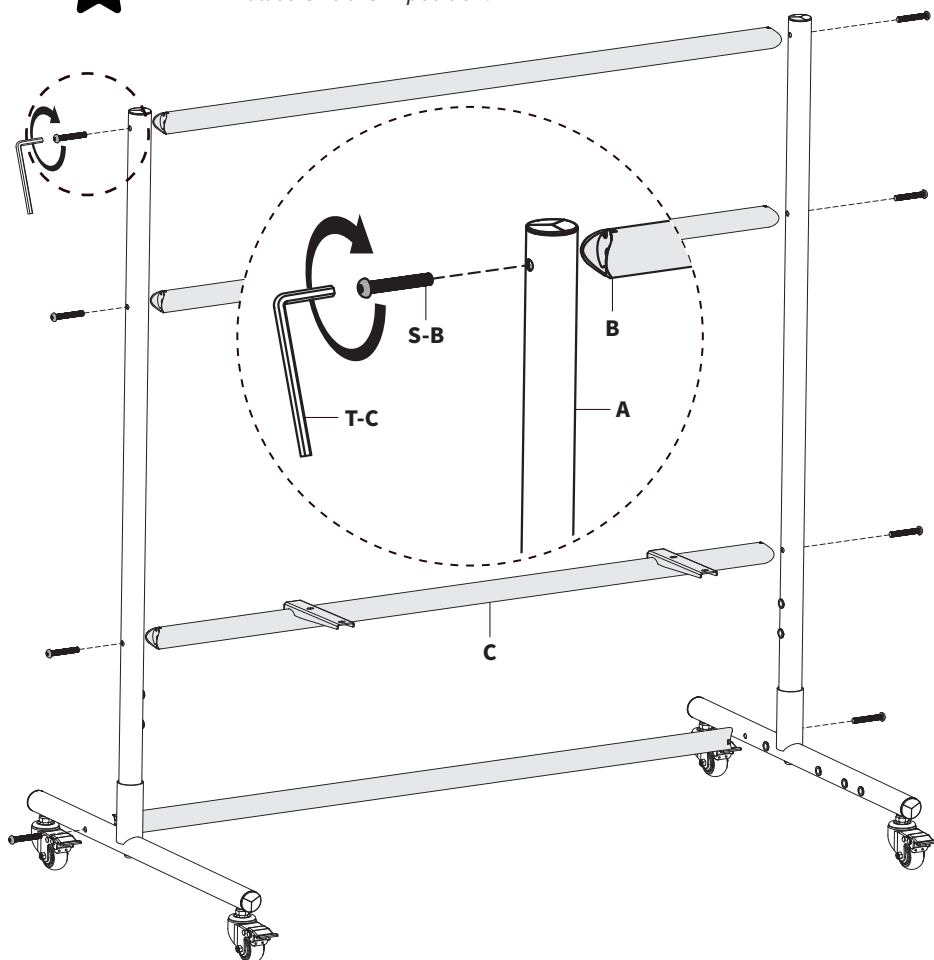


STEP 2

Attach Crossbars (**B**) and Shelf Support (**C**) to Vertical Supports (**A**) as shown using M8x50mm Screws (**S-B**) and 5mm Allen Wrench (**T-C**).



*For optimal assembly, tighten screws
AFTER all screws are in position.*

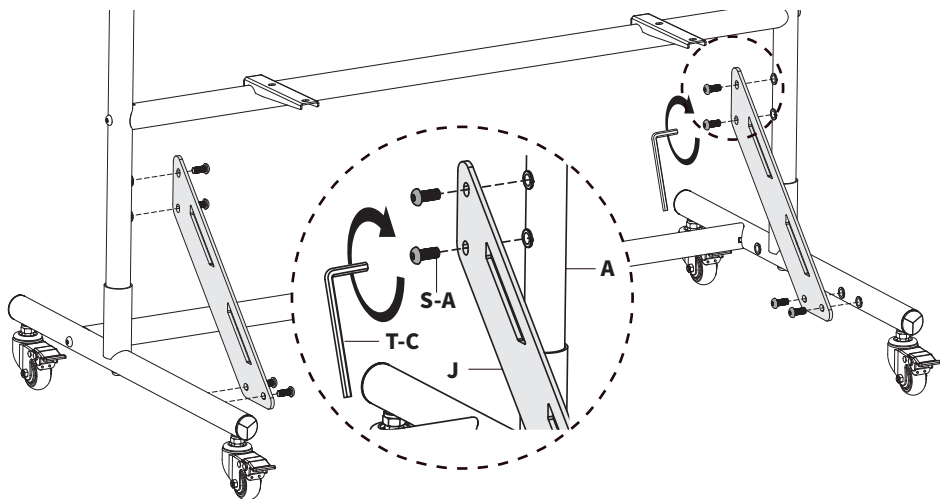


LOCKING CASTERS

To avoid sudden movements during the installation process,
press down the Locking tab (**N1**) on Casters.

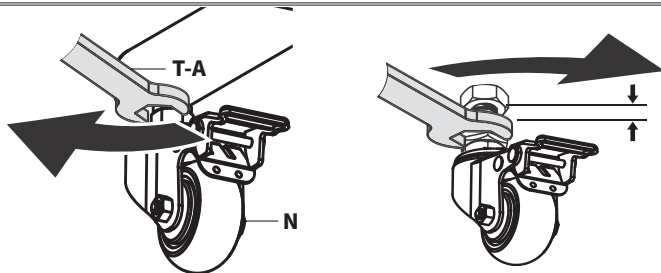
STEP 3

Secure Diagonal Supports (**J**) to Vertical Supports (**A**) using M8x20mm Screws (**S-A**) and 5mm Allen Wrench (**T-C**).

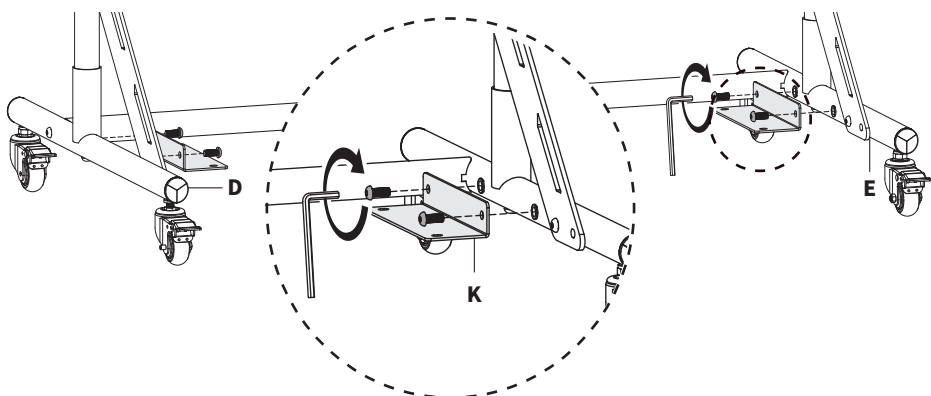


Leveling Casters

If the Caster (**N**) can't touch the ground, loosen the lower nut with Wrench (**T-A**) as shown to adjust the caster to proper position, then tighten the upper nut.

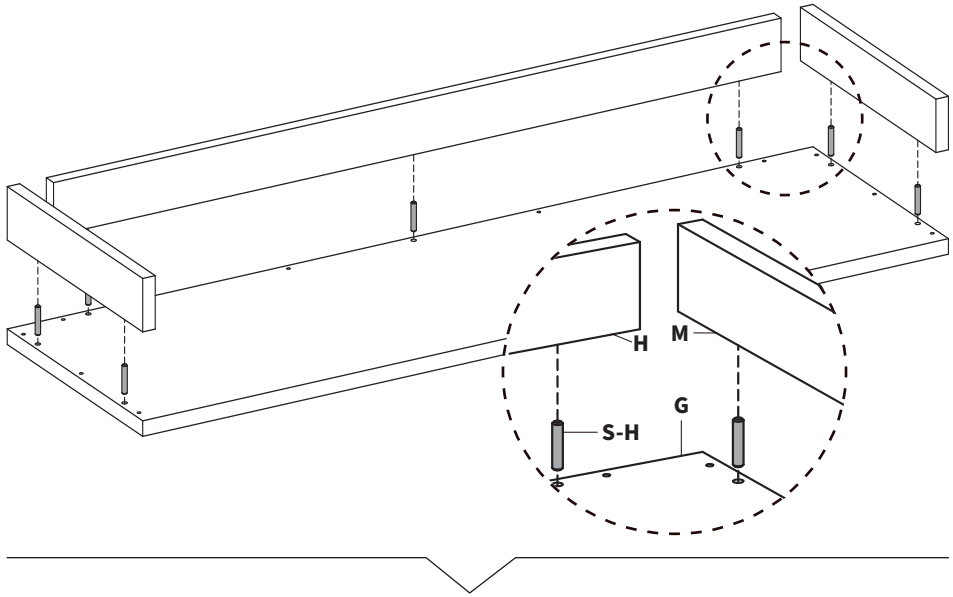


Attach Shelf Brackets (**K**) to Feet (**D,E**) using M8x20mm Screws and 5mm Allen Wrench.

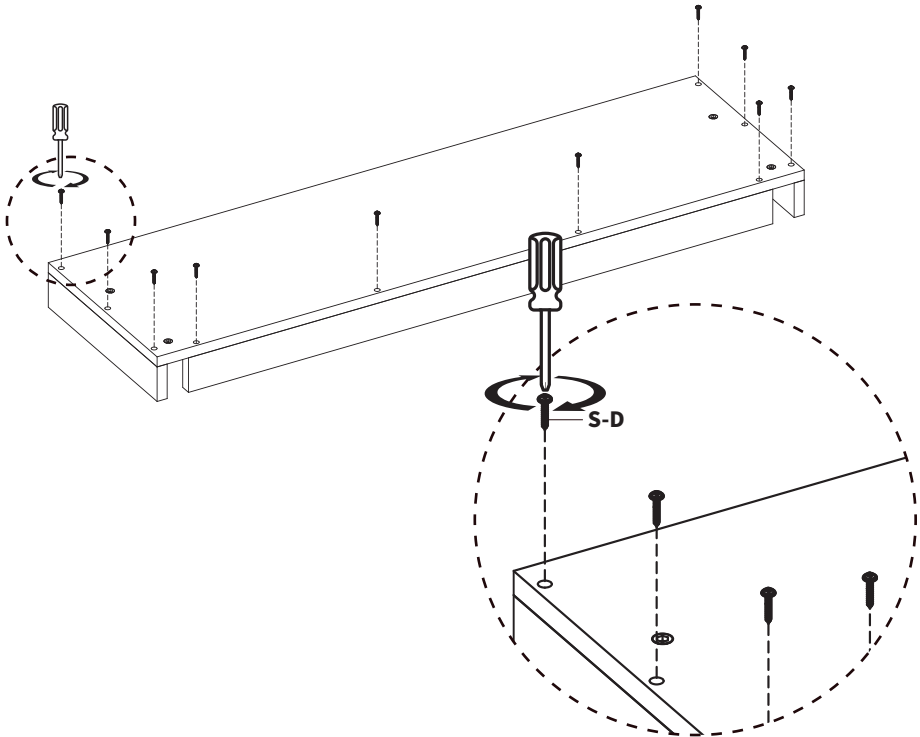


STEP 4

Insert Wooden Dowel Pins (**S-H**) into the Lower Shelf (**G**). Connect Back Shelf Panel (**H**) and Side Shelf Panel (**M**) to Lower Shelf.

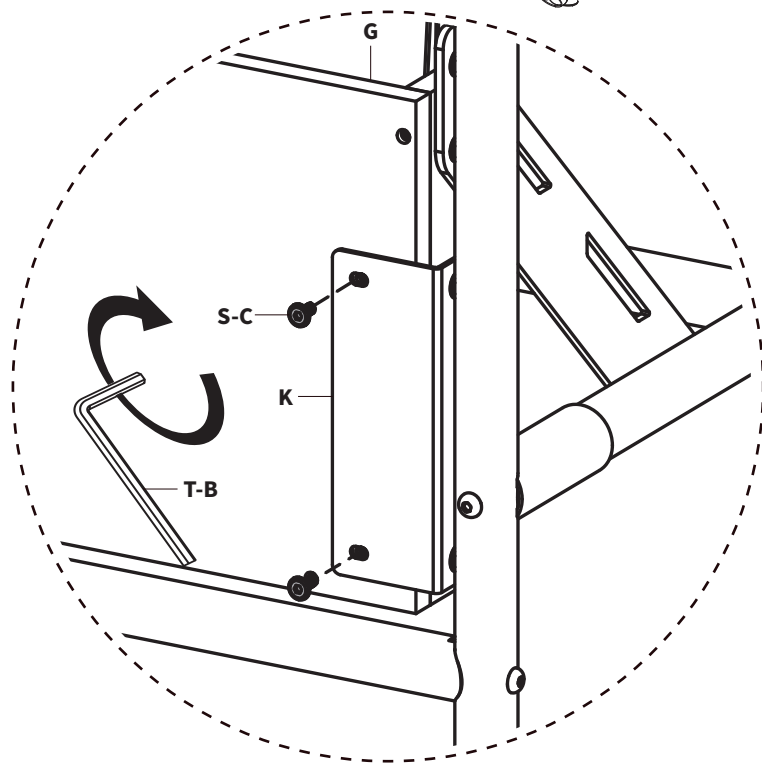
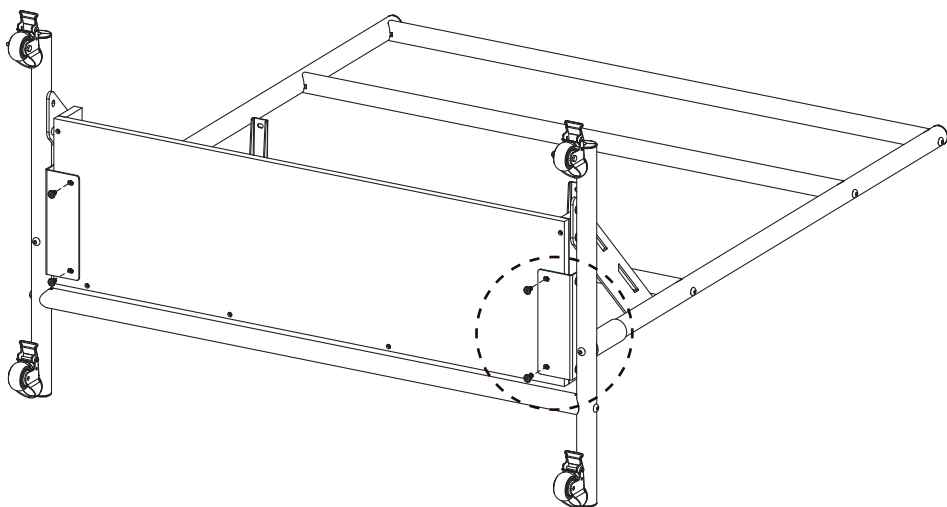


Secure using ST3.5x20mm Screws (**S-D**) and a Phillips screwdriver.



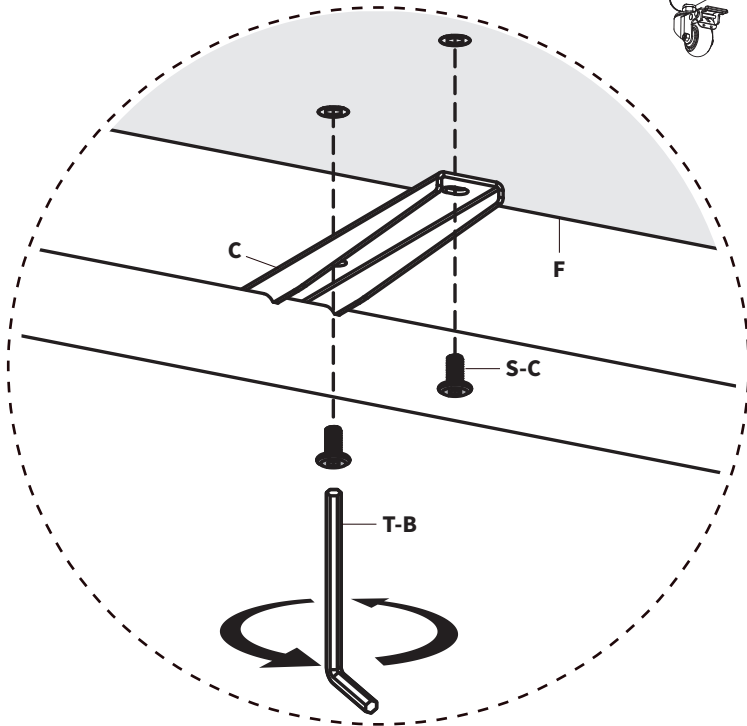
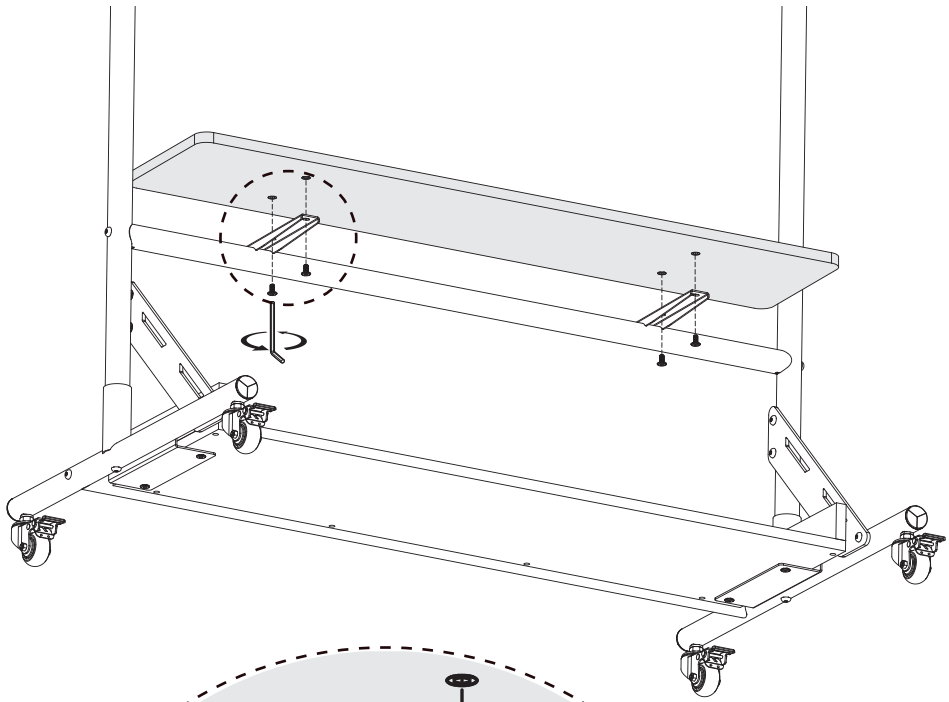
STEP 5

Secure Lower Shelf (**G**) to Shelf Brackets (**K**) using M6x12mm Screws (**S-C**) and 4mm Allen Wrench (**T-B**).



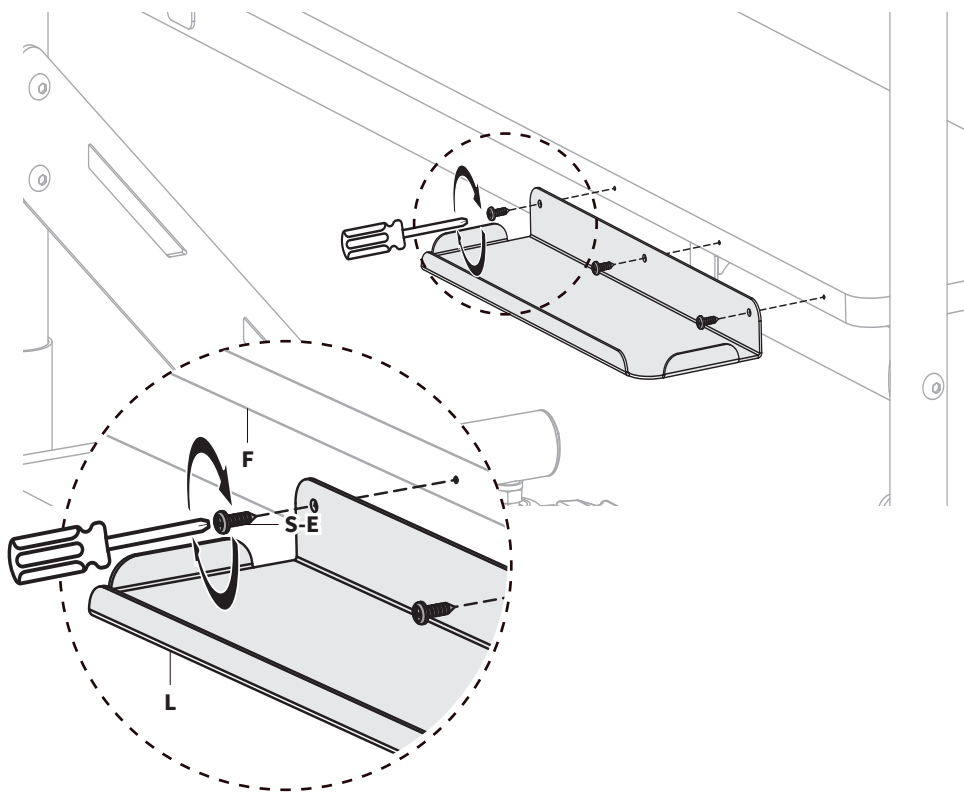
STEP 6

Secure Upper Shelf (**F**) to Shelf Support (**C**) using M6x12mm Screws (**S-C**) and 4mm Allen Wrench (**T-B**).

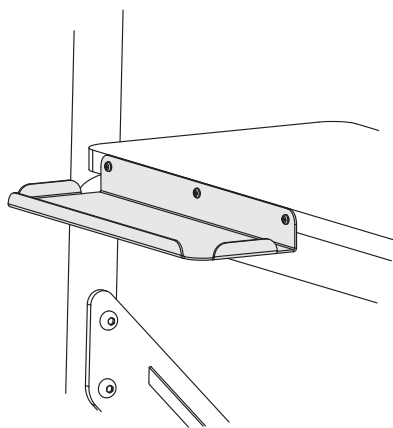


STEP 7

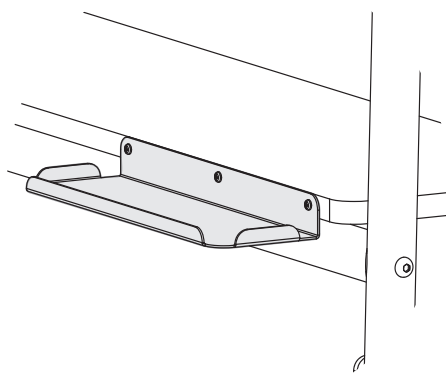
Secure Tray (L) to Upper Shelf (F) on desired side using ST3.5x12mm Screws (S-E).



LEFT



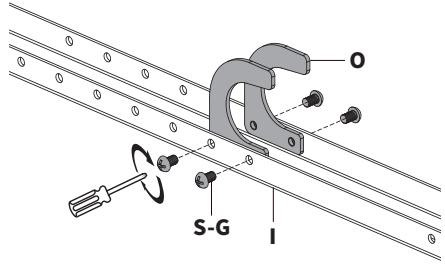
RIGHT



STEP 8

Use the images below to determine the positioning of the Mounting Brackets (**O**) based on your desired viewing height.

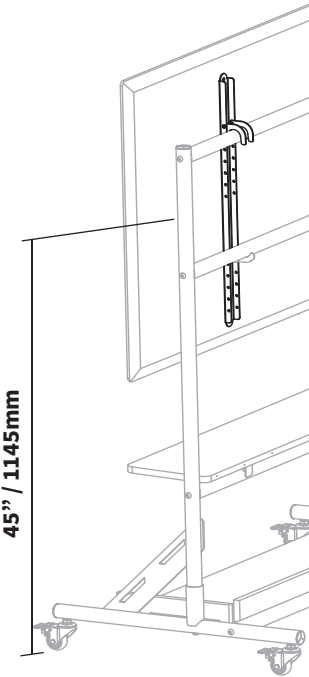
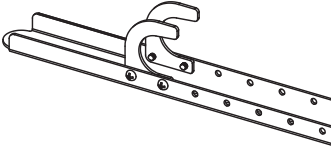
Follow the instructions for your chosen height and secure Mounting Brackets onto the VESA Brackets (**I**) using the M5x8mm Screws (**S-G**) and a Phillips screwdriver.



Standard Viewing Height

[49" / 1250mm]

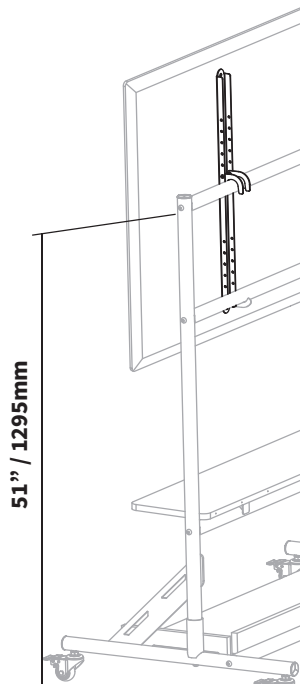
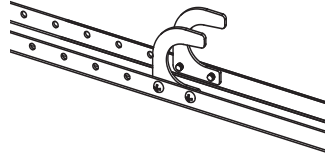
Install Mounting Brackets near the **TOP** of VESA Brackets



Tall Viewing Height

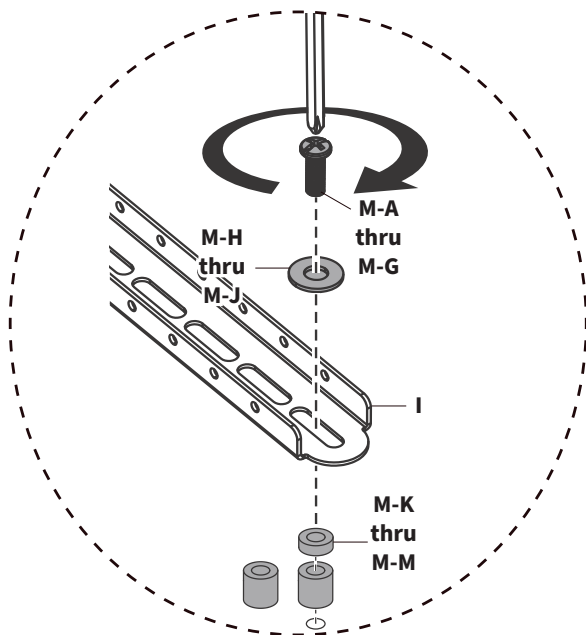
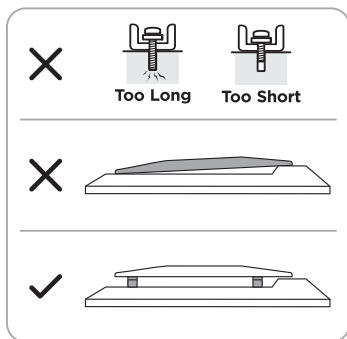
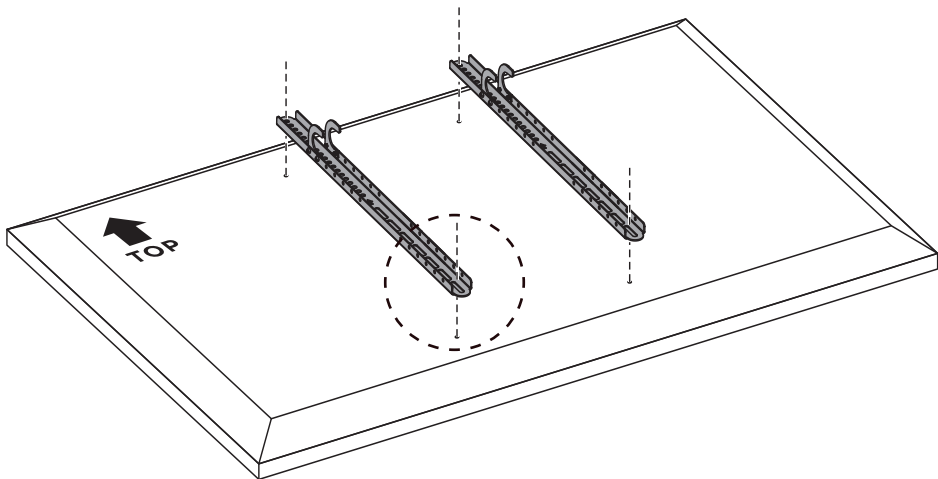
[55" / 1400mm]

Install Mounting Brackets near the **MIDDLE** of VESA Brackets



STEP 9

Attach VESA Brackets (**I**) to back of TV using appropriate Screws (**M-A thru M-G**), Washers (**M-H thru M-J**), and Spacers (**M-K thru M-M**). Tighten using Phillips screwdriver.



STEP 10

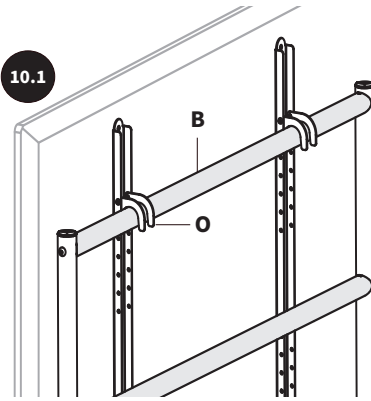
Follow directions below to verify proper location for Mounting Brackets (O).



2 Person Mounting is Recommended

10.1 Temporarily Hang TV:

With the help of a second person, hand your TV on the upper Crossbar (B).

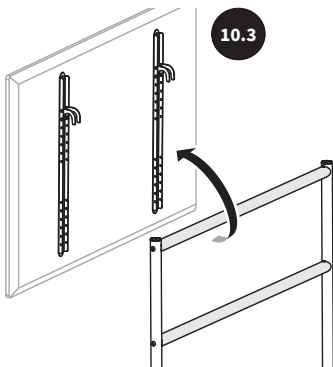


10.2 Identify Mounting Holes:

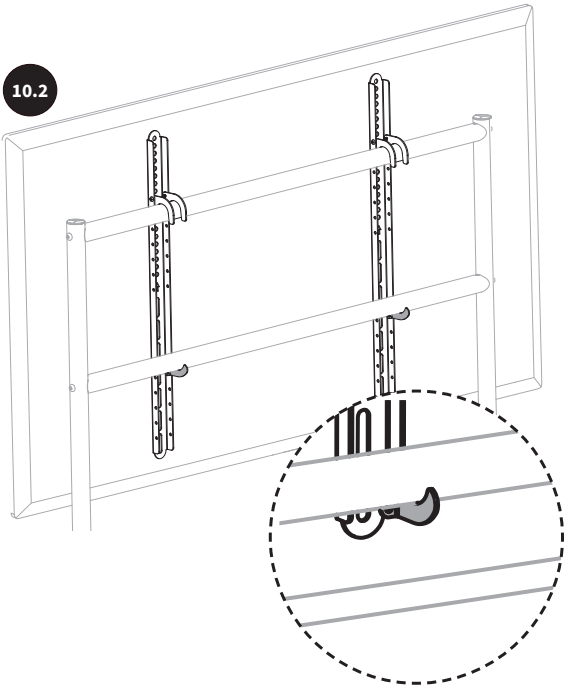
Use the image at right to help visualize how the brackets should look after being installed.

This will aid in choosing the correct mounting holes for your TV.

10.3 Remove TV from stand.



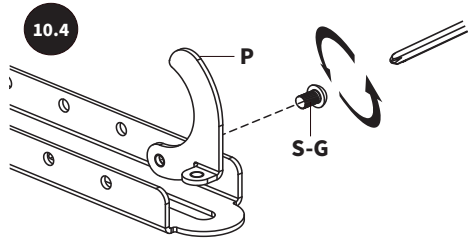
10.2



NOTE: DO NOT install Locking Brackets (P) yet. Image for reference only.

10.4 Install Locking Brackets:

Install Locking Brackets (**P**) into the mounting holes you observed using the M5x8mm Screws (**S-G**) and a Phillips screwdriver.



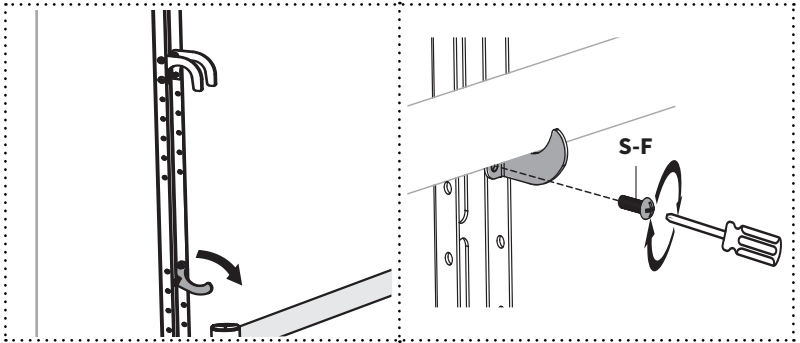
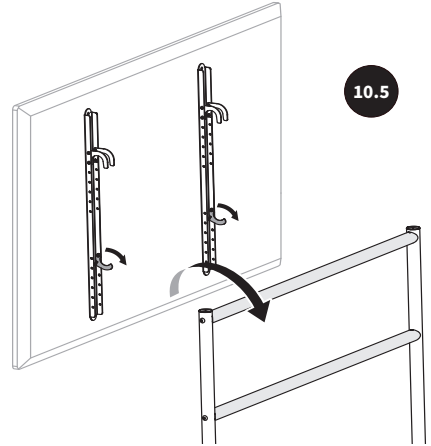
10.5 Mount TV:

Rotate open the Locking Brackets and mount the TV on the stand.

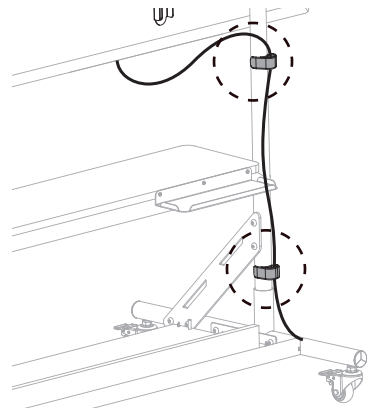
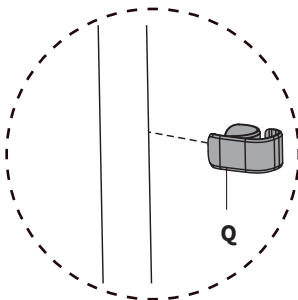
Once mounted, secure the Locking Brackets using the M5x18mm Screws (**S-F**) and a Phillips screwdriver.



2 Person Mounting is Recommended



Manage your cables using Cable Clips (**Q**).





Need Help? Get In Touch

Monday-Friday from 7:00am-7:00pm CST



help@vivo-us.com



www.vivo-us.com

Chat live with an agent!



309-278-5303



VIVO-us @vivo_us

FOR MORE GREAT VIVO PRODUCTS,
CHECK OUT OUR WEBSITE AT: WWW.VIVO-US.COM