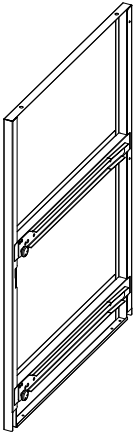
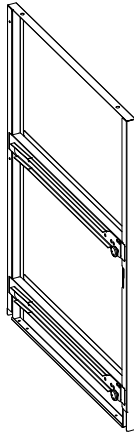
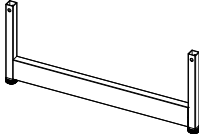
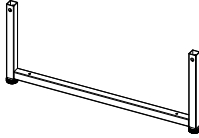
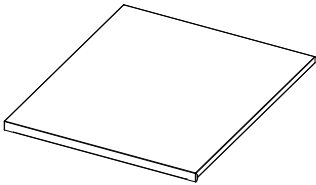
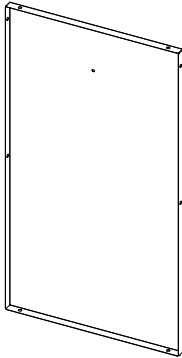
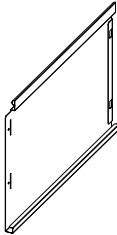
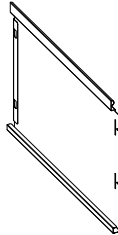
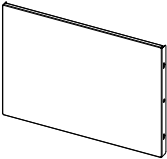
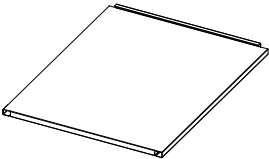
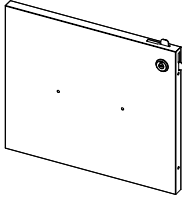
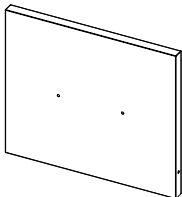


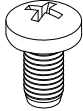


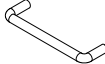
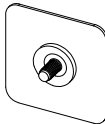

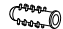


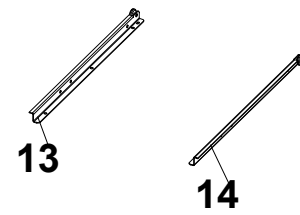
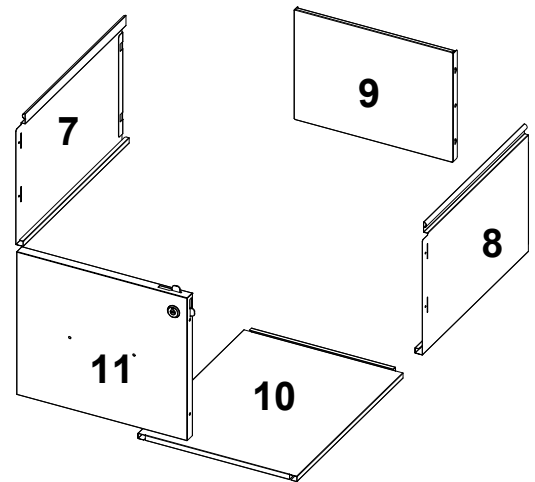
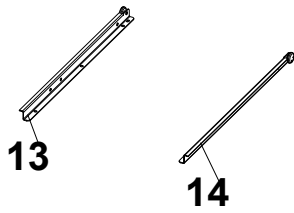
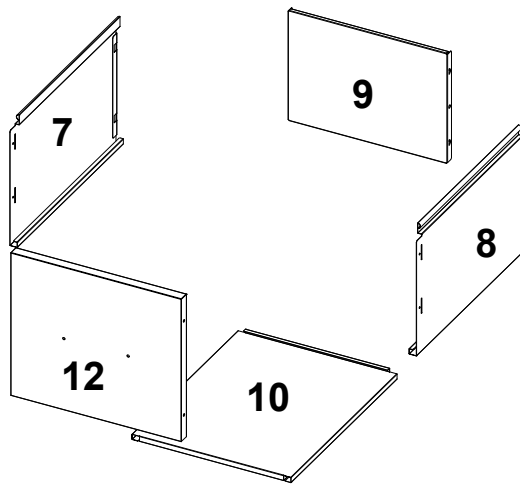
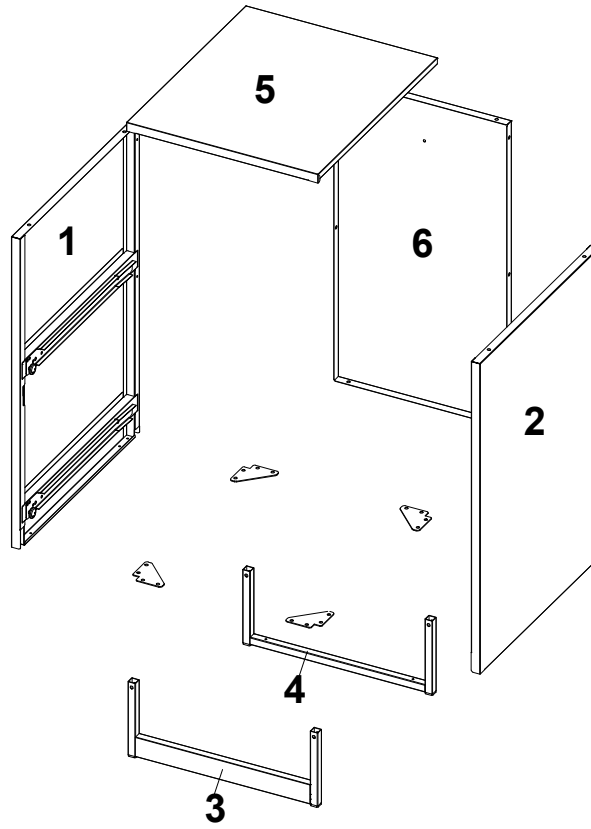
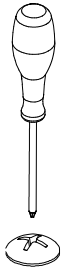
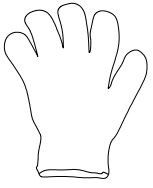
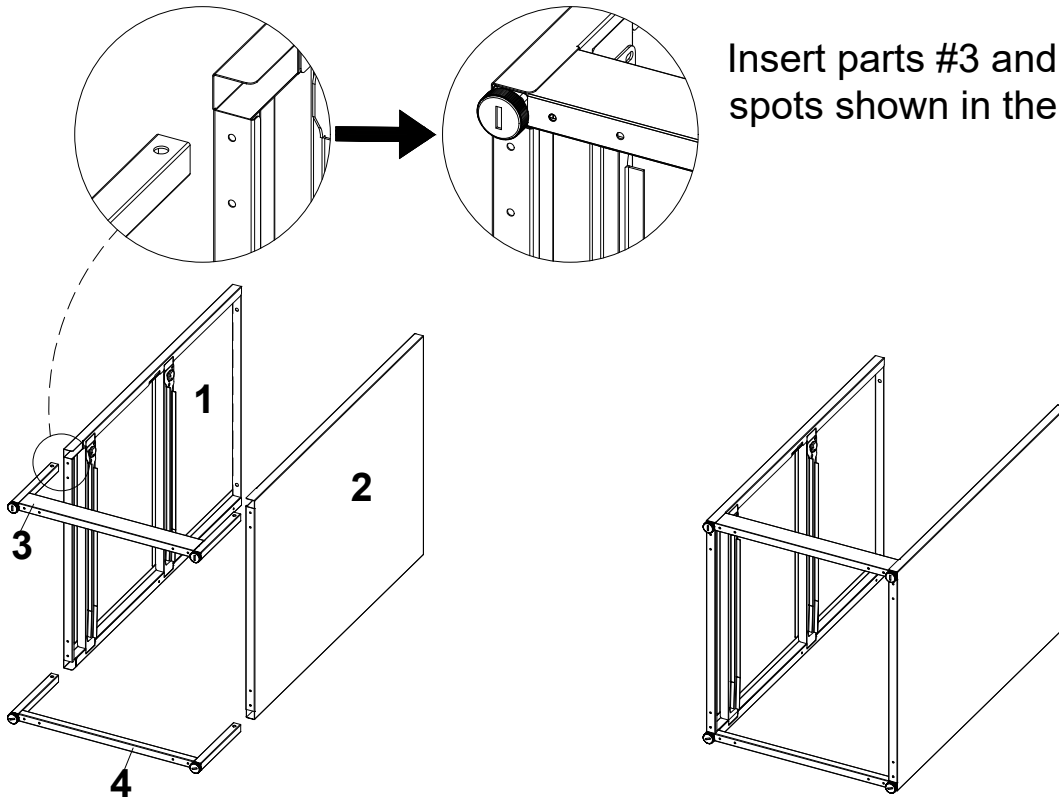


1×1pc		2×1pc		3×1pc		4×1pc	
							
5×1pc		6×1pc		7x2pcs		8×2pcs	
							
9×2pcs		10×2pcs		11×1pc		12×1pc	
							
13×2pcs	14×2pcs	A×48pcs	B×4pcs	C×4pcs	D×2pcs	E×1pc	F×1pc
		 M4x8mm	 M4x5mm			 	 M8  M5× 30mm 1.18inch  M5

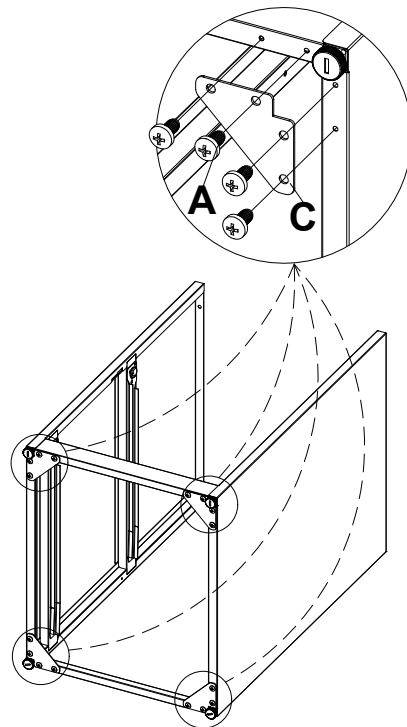


1

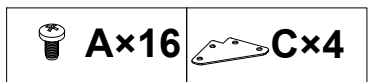


Insert parts #3 and #4 into the spots shown in the diagram

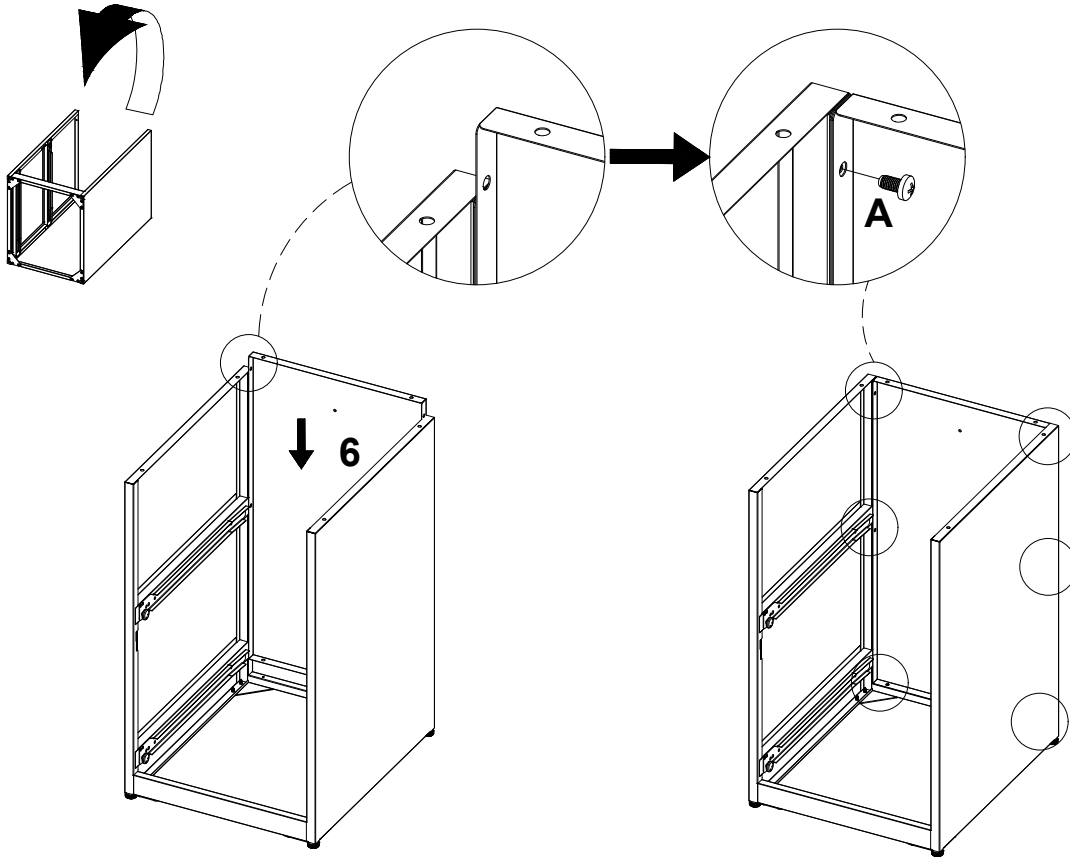
2



Attach the triangle piece C with screw A



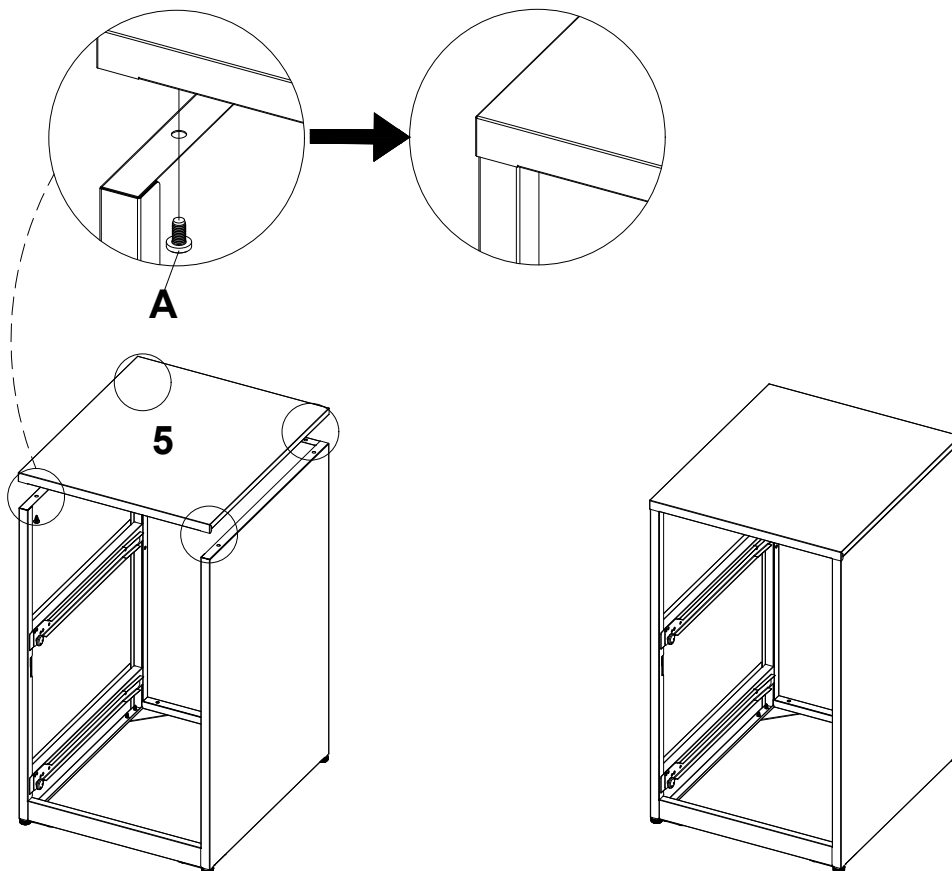
3



Installation of Backplate #6

 A×6

4



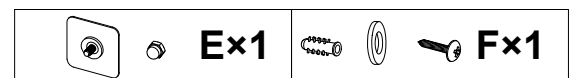
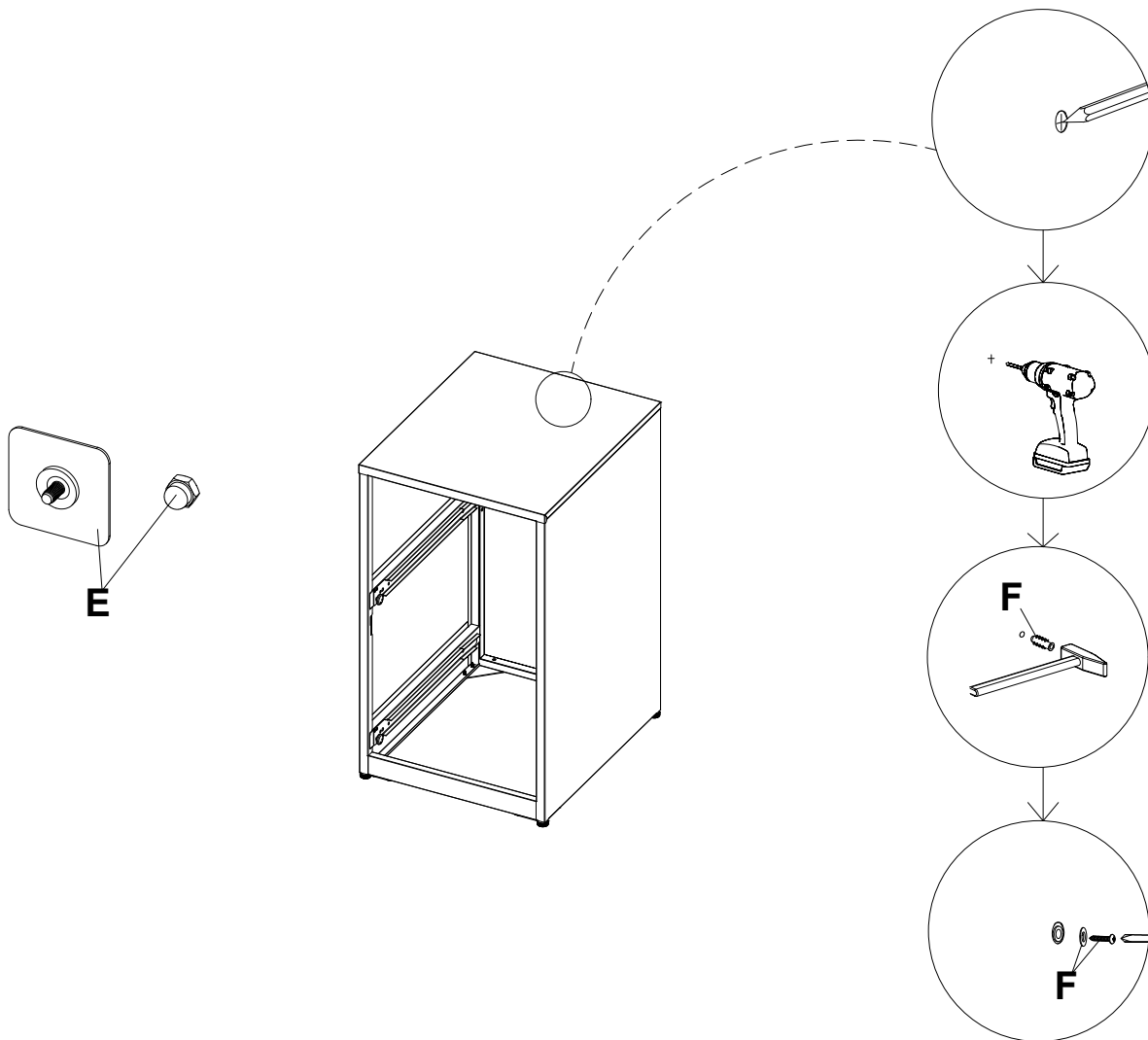
Installation of #5 on the top

 A×6

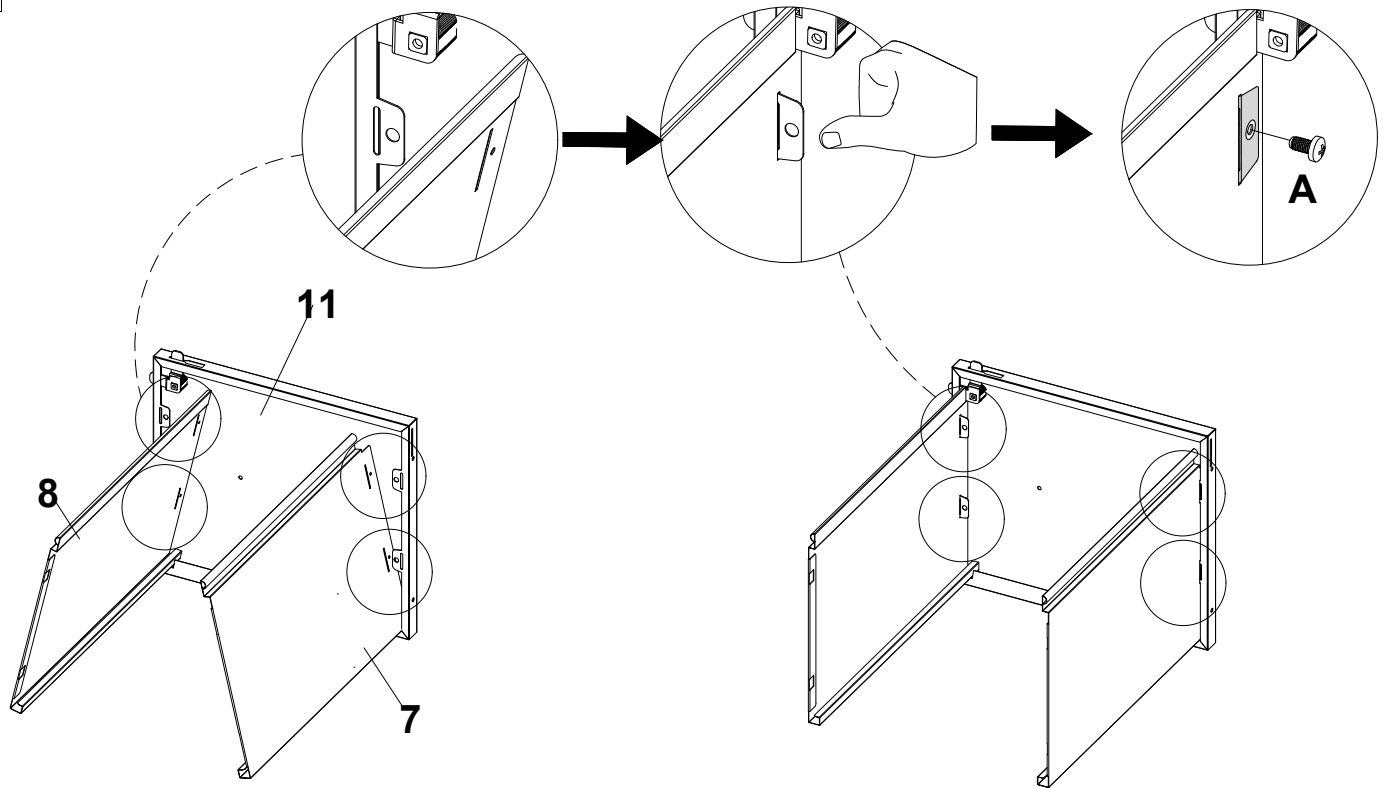
5

An optional anti-tipping kit is included to help you secure the cabinet and prevent it from tipping over.

1. For a permanent fix, use part #F. Please assess the wall with tools to make sure it can handle the stress. Choose screws and plug that match your wall type and the load it's expected to bear.
2. If you want to avoid damaging walls, choose part #E. It works best on flat surfaces like glass and tiles.
3. Please don't sit or stand on the cabinet to prevent serious injury.
4. If you're not sure which method to choose, feel free to contact our customer service for professional advice.



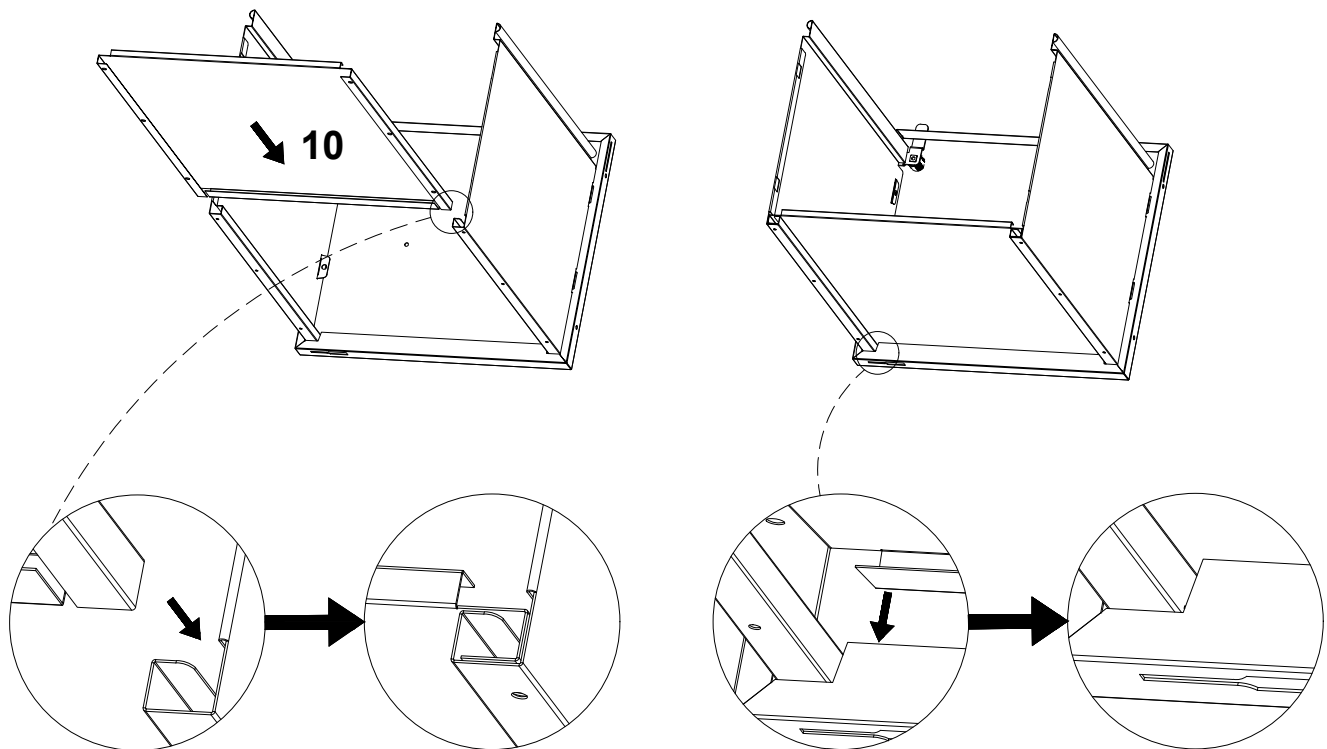
6



Attach bib #7 and #8 to panel #11

 A×4

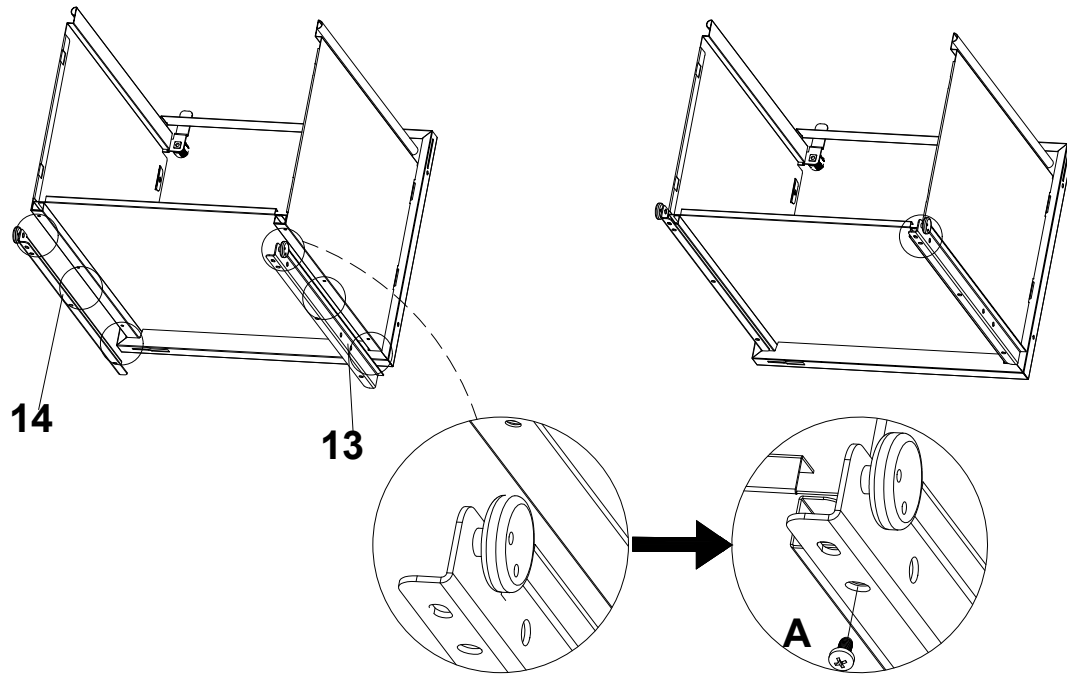
7



Drawer base plate #10 installed in position shown

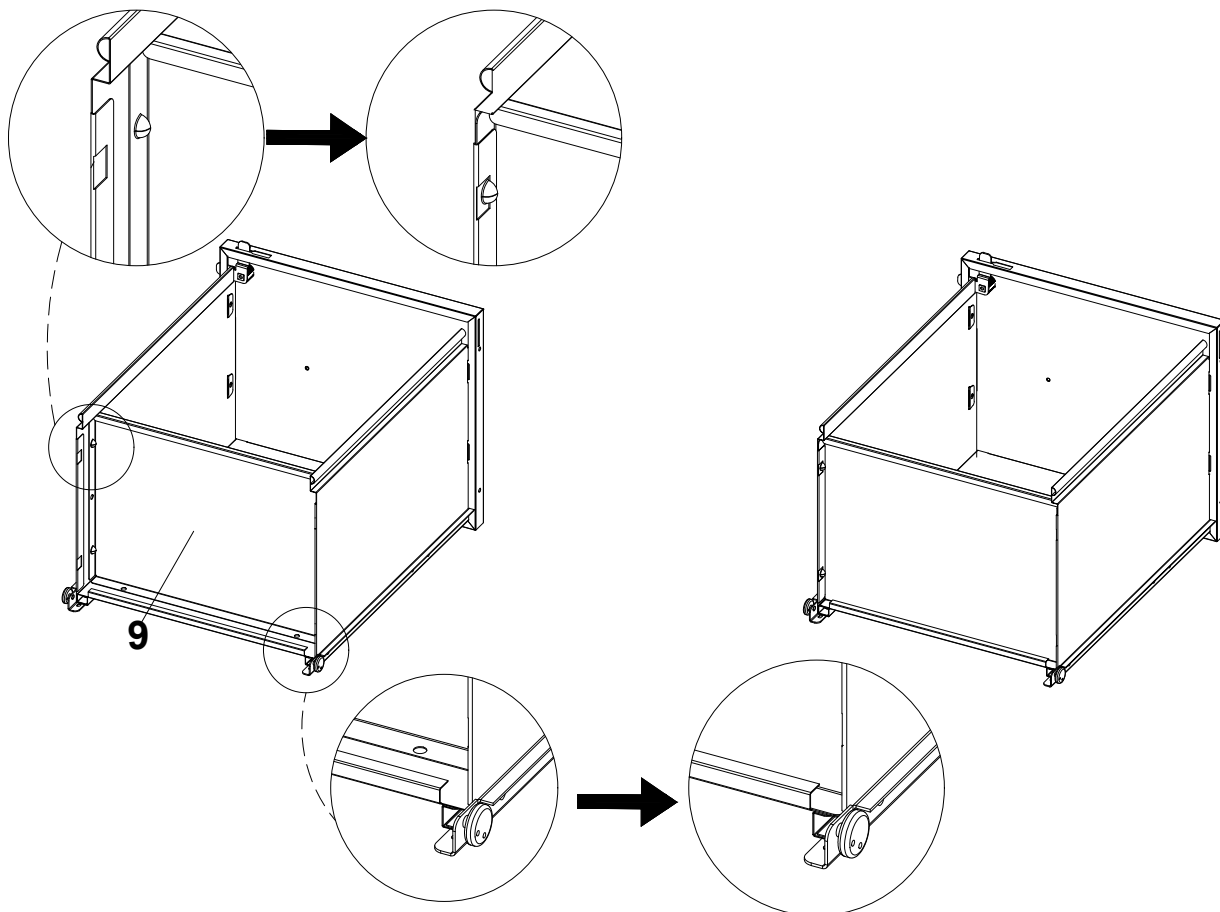
8

Installation of slides #13 and #14

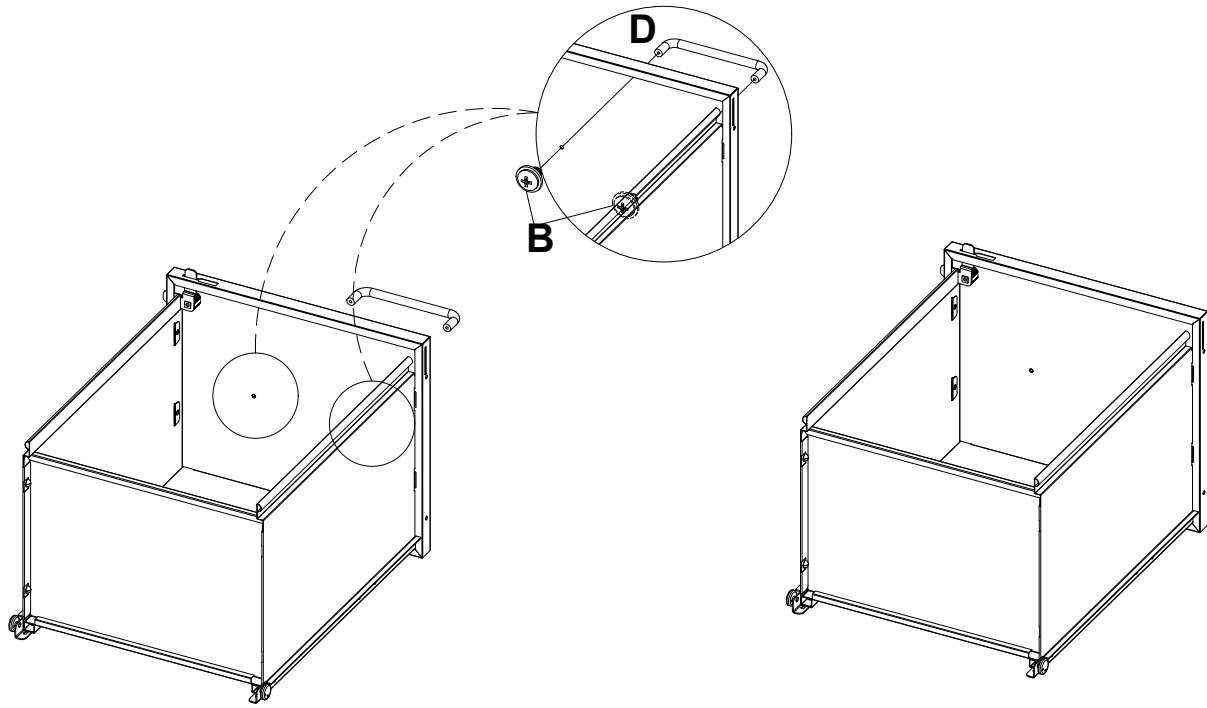


9

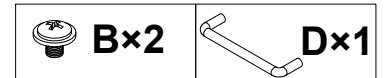
Installation of drawer #9 back plug



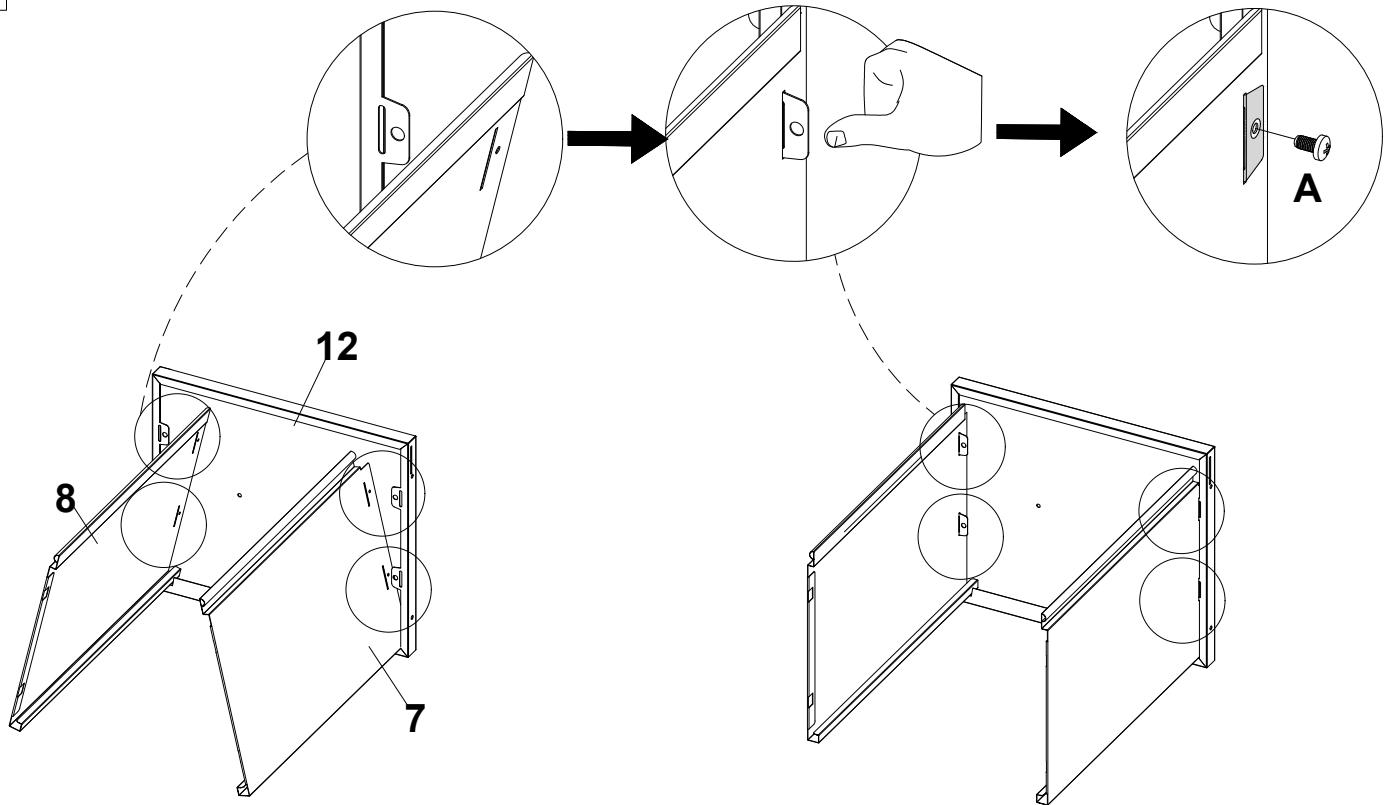
10



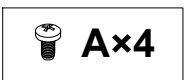
Installation of handles



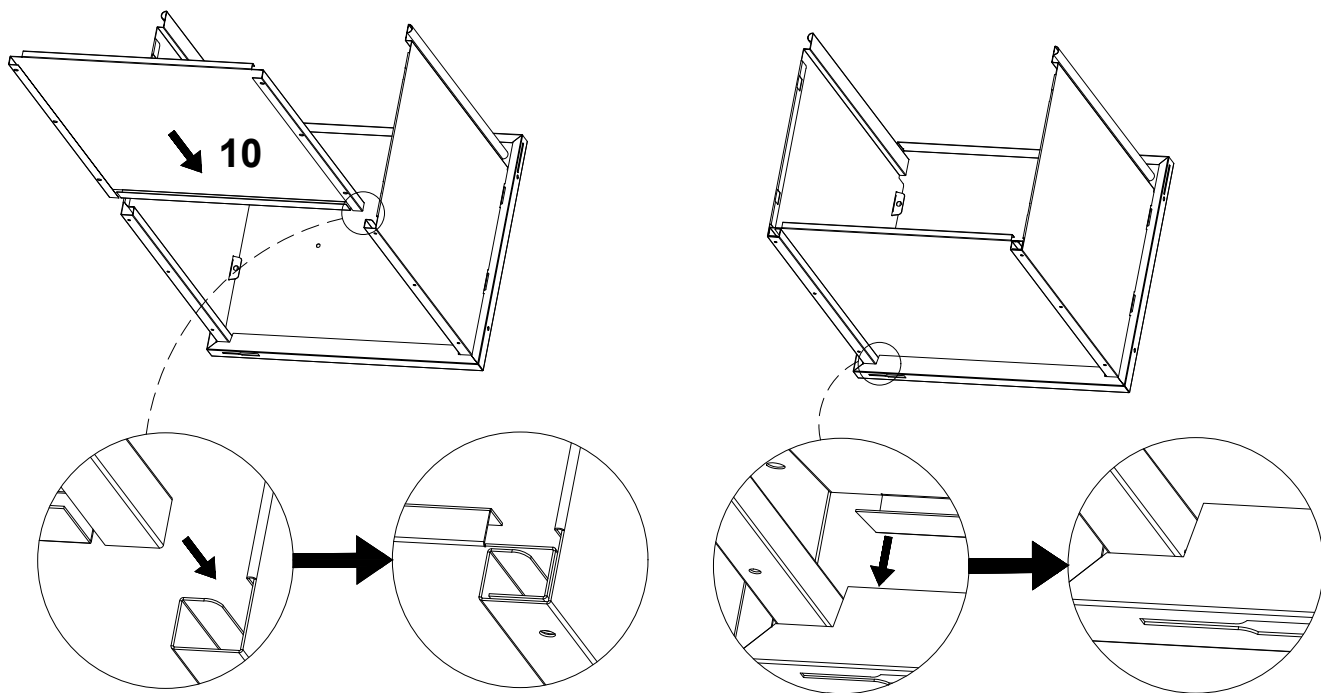
11



Attach bib #7 and #8 to panel #12



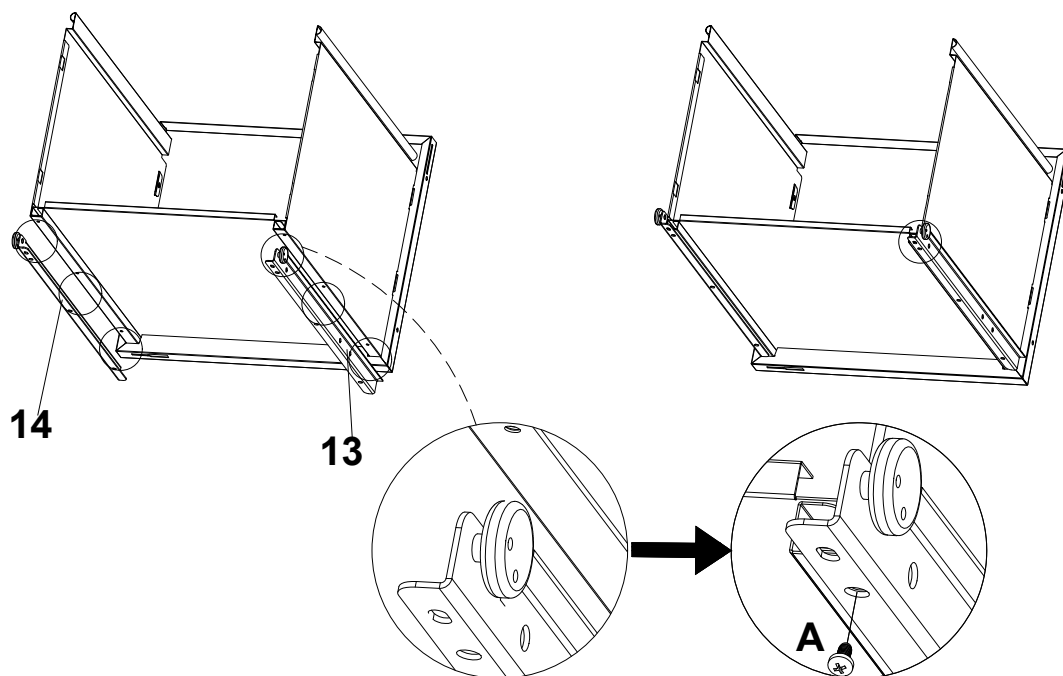
12



Drawer base plate #10 installed in position shown

13

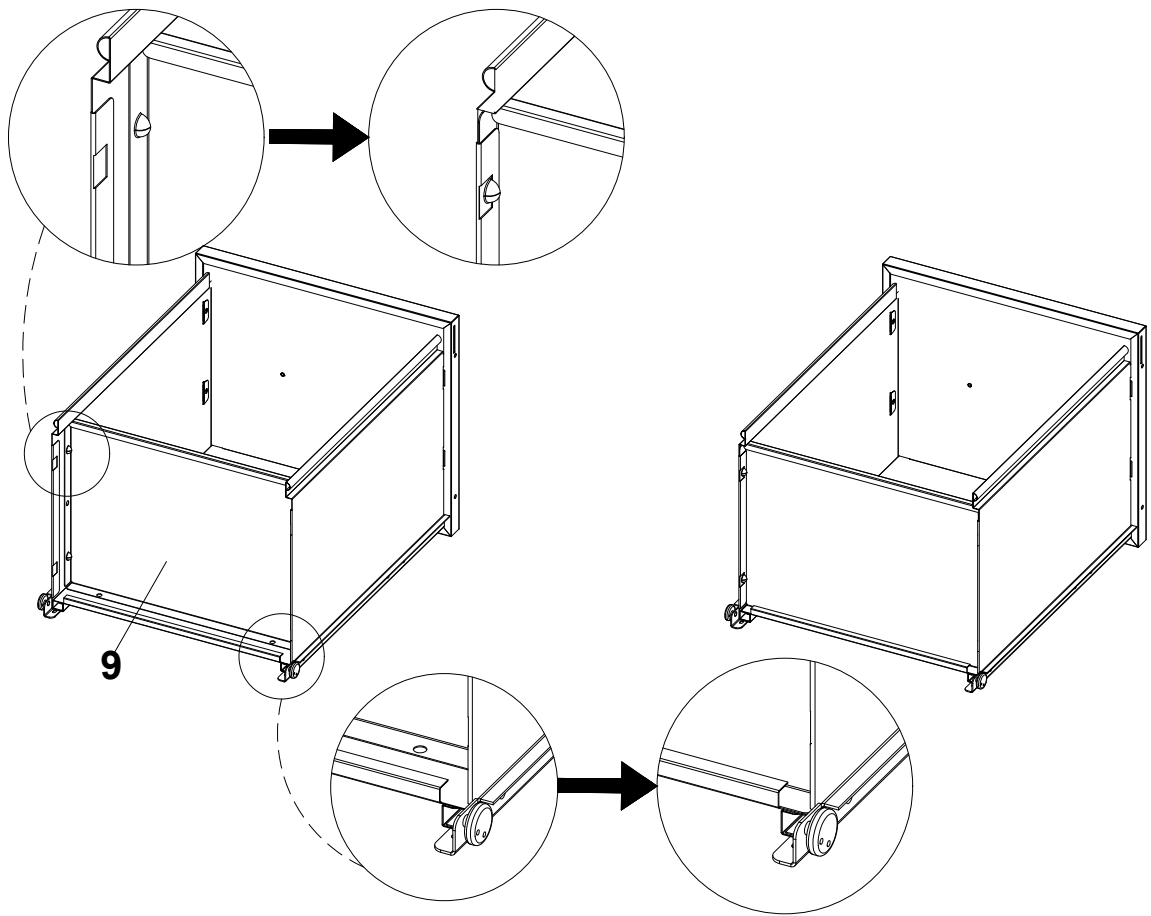
Installation of slides #13 and #14



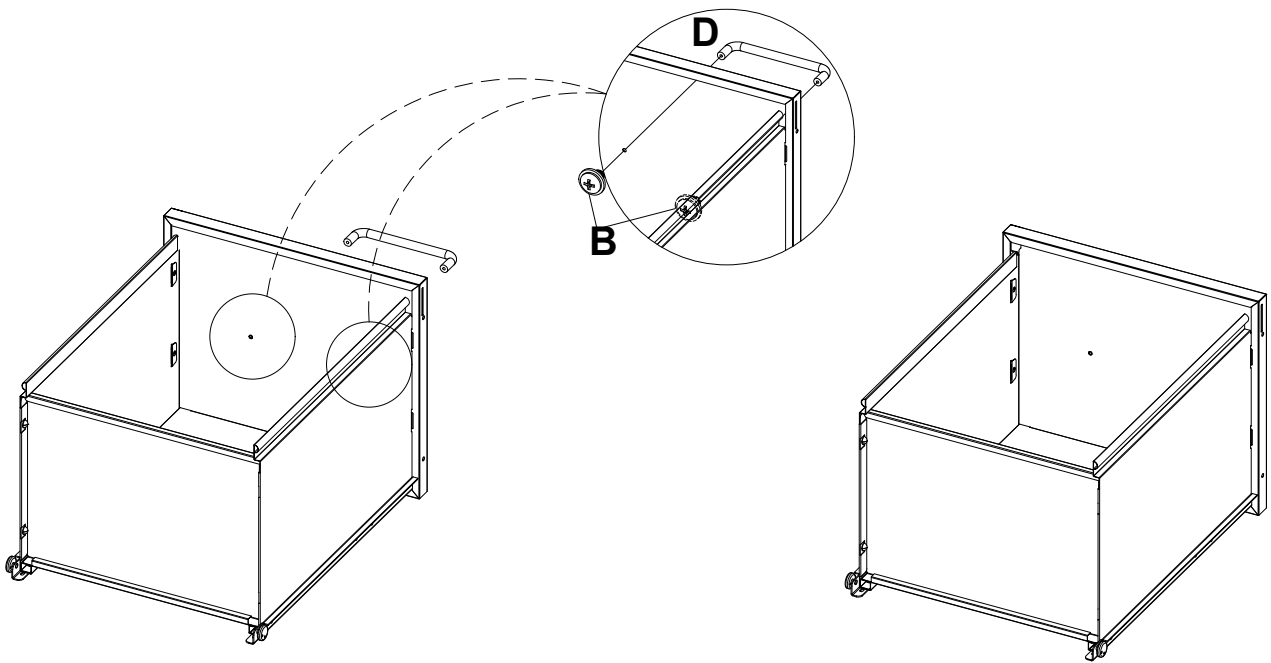
 **A×6**

14


Installation of drawer #9 back plug



15

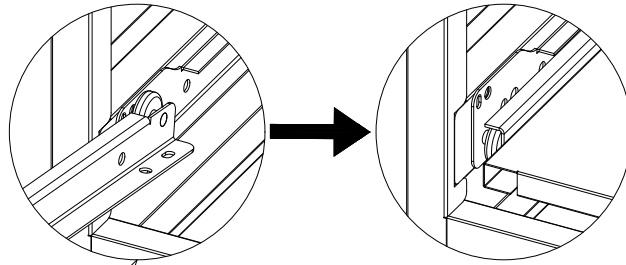


Installation of handles

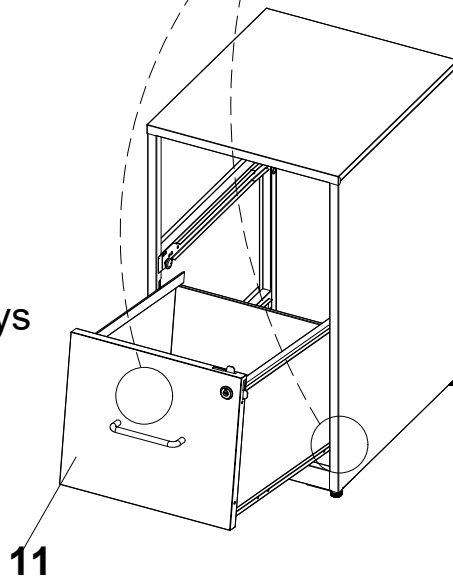
 B×2	 D×1
---	---

16

Note that drawers with locking panels are installed at the bottom of the cabinet



When installing the drawer, put the drawer into the cabinet at an angle and put the pulleys on the drawer onto the slides on both sides of the cabinet



17

Follow step 16 to put the other drawer in place
The loading weight limit is 10kg/22lbs per drawer
It's recommended to place heavy items in the lower drawer to prevent the upper drawer from tipping when opened

