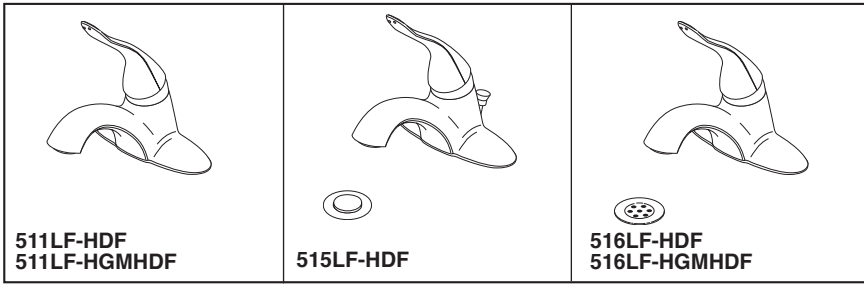




# BATHROOM FAUCET

## ■ Single Handle Deck Mount



511LF-HDF  
511LF-HGMHDF

515LF-HDF

516LF-HDF  
516LF-HGMHDF

### STANDARD SPECIFICATIONS:

- Max flow rate 1.2 gpm @ 60 psi, 4.5 L/min @ 414 kPa
- HGM models only - maximum 0.50 gpm @ 60 psi, 1.9 L/min @ 414 kPa
- Two ( 511LF & 515LF) and three-hole (516LF) mount
- Diamond coated ceramic cartridge
- Vandal resistant 6" (152 mm) elbow handle. Red/blue indicator markings
- Adjustable handle limit stop
- Vandal resistant aerator or spray outlet
- 1/4" threaded mounting studs
- 3/8" O.D. copper supply tubes with 1/2"-14 NPSM adapters
- Lift rod hole (515LF); no lift rod hole (511LF & 516LF)

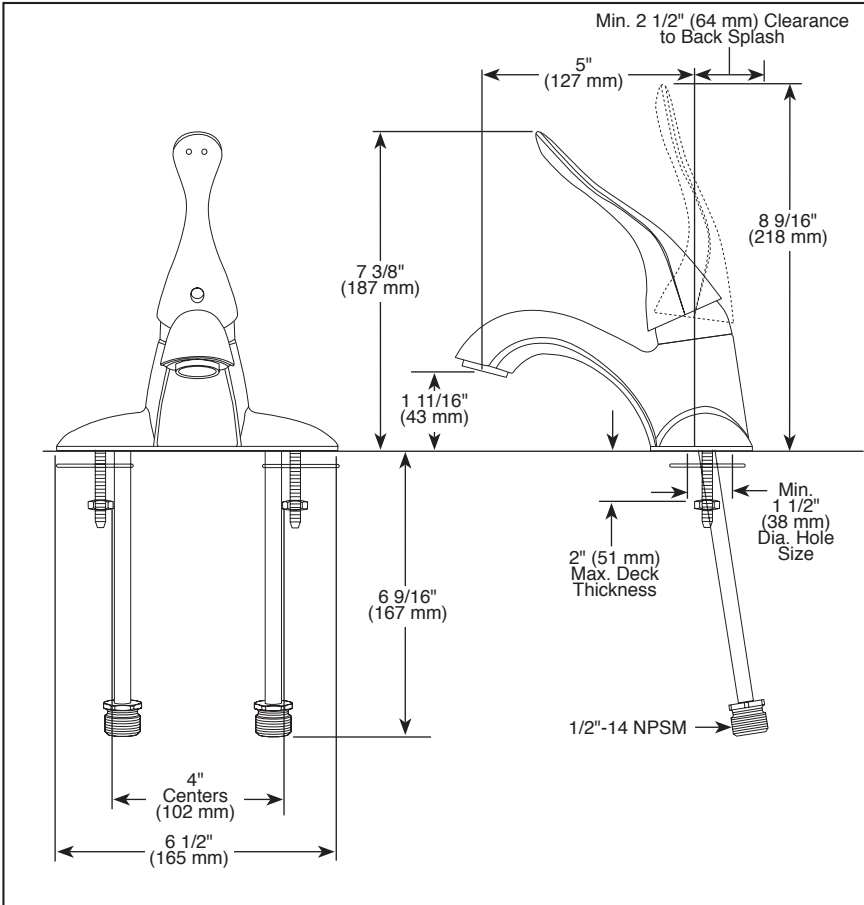
### WARRANTY

- Parts and Finish - Lifetime limited warranty; or for commercial purchasers, 10 years for multi-family residential (apartments and condominiums) and 5 years for all other commercial uses, in each case from the date the product is received by the original purchaser or their authorized representative (installation contractor, etc.).
- Please go to [www.deltafaucet.com](http://www.deltafaucet.com) for the complete details of our limited warranty.

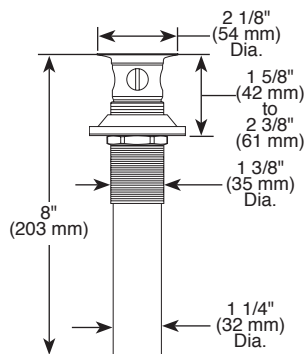


### COMPLIES WITH:

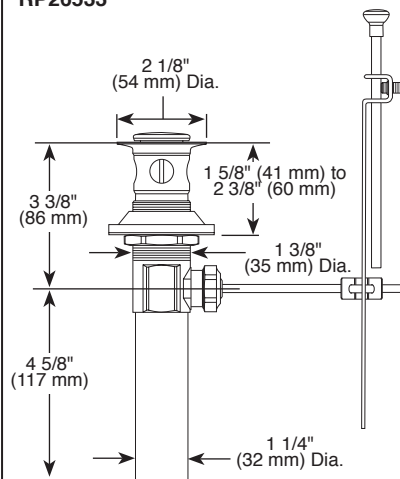
- ASME A112.18.1 / CSA B125.1
- ASME A112.18.2 / CSA B125.2
- EPA WaterSense® - Applies to 511FL-HDF, 515LF-HDF, 516LF-HDF only
- ICC/ANSI A117.1 - Valve control only



RP6346



RP26533



Delta Faucet Company reserves the right (1) to make changes in specifications and materials, and (2) to change or discontinue models, both without notice or obligation. Dimensions are for reference only. See current full-line price book or [www.deltafaucet.com](http://www.deltafaucet.com) for finish options and product availability.

### Delta Faucet Company

55 E. 111th Street, Carmel, IN 46280  
350 South Edgeware Road, St. Thomas, ON N5P 4L1  
© 2025 Delta Faucet Company