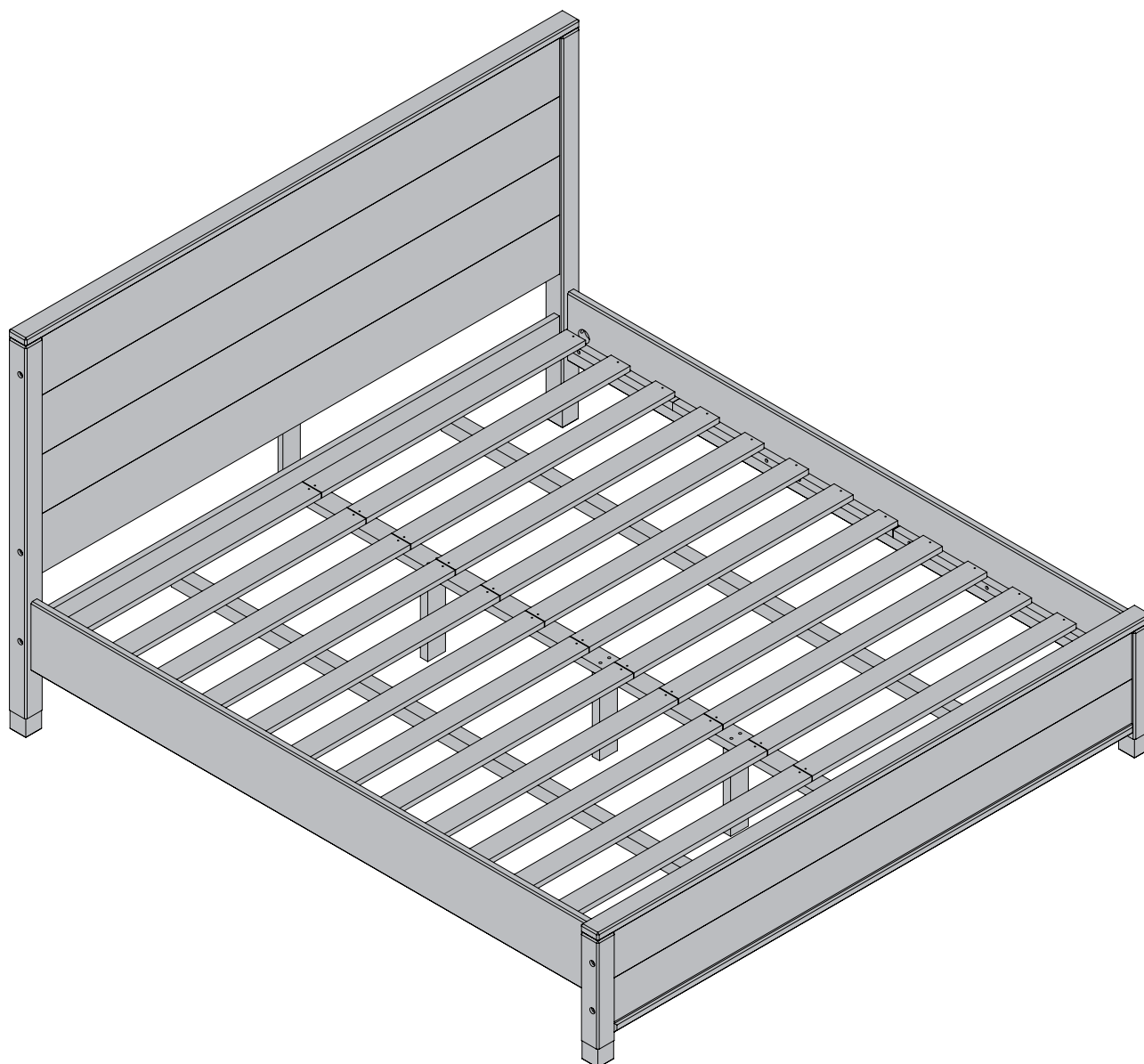


# Baja Platform Bed - King Size



Assembly  
02 people



Time  
1:30 hours approximately

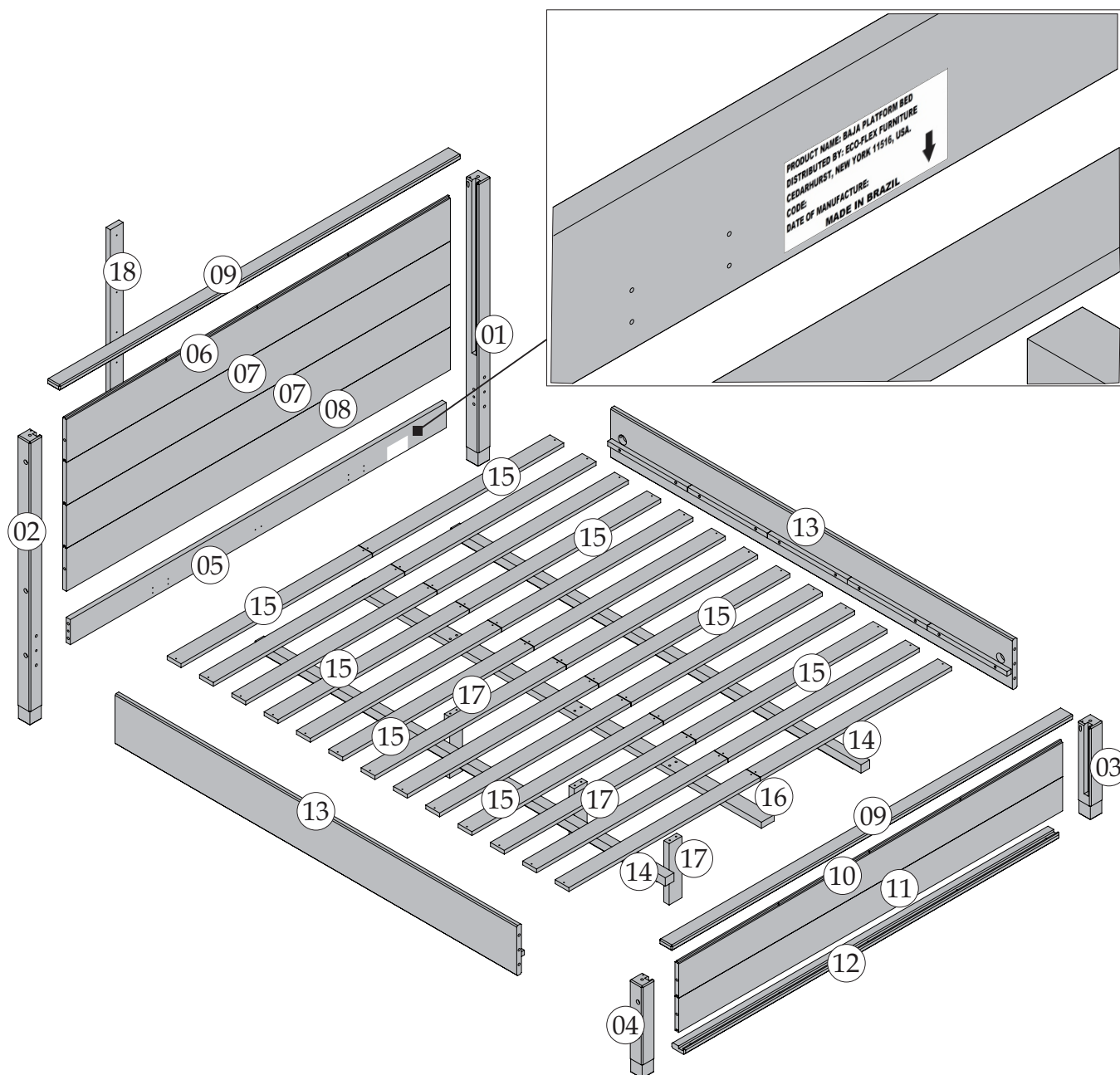


Tools  
philips key, rubber hammer



Volume quantity  
02 boxes

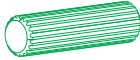
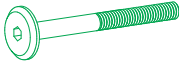



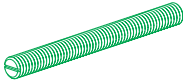




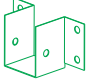


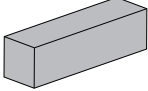
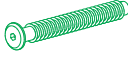
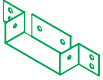
Parts list for assembly. Please confirm all parts available before assembly

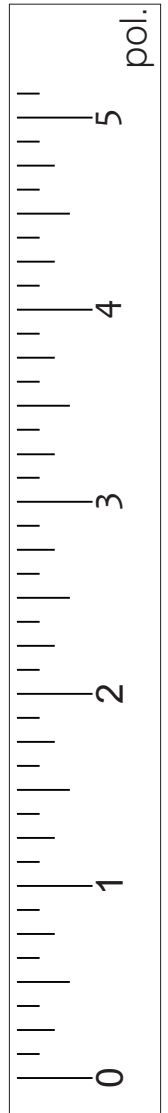


### ATTENTION

- \* Read and observe carefully all the assembly instructions before beginning assembly.
- \* The assembly of the product must be done on a clean and flat surface. We suggest to use the packaging to cover the floor to avoid damages.
- \* The screws must be tightened periodically.
- \* Avoid contact with sharp objects.
- \* Avoid banging pieces together.

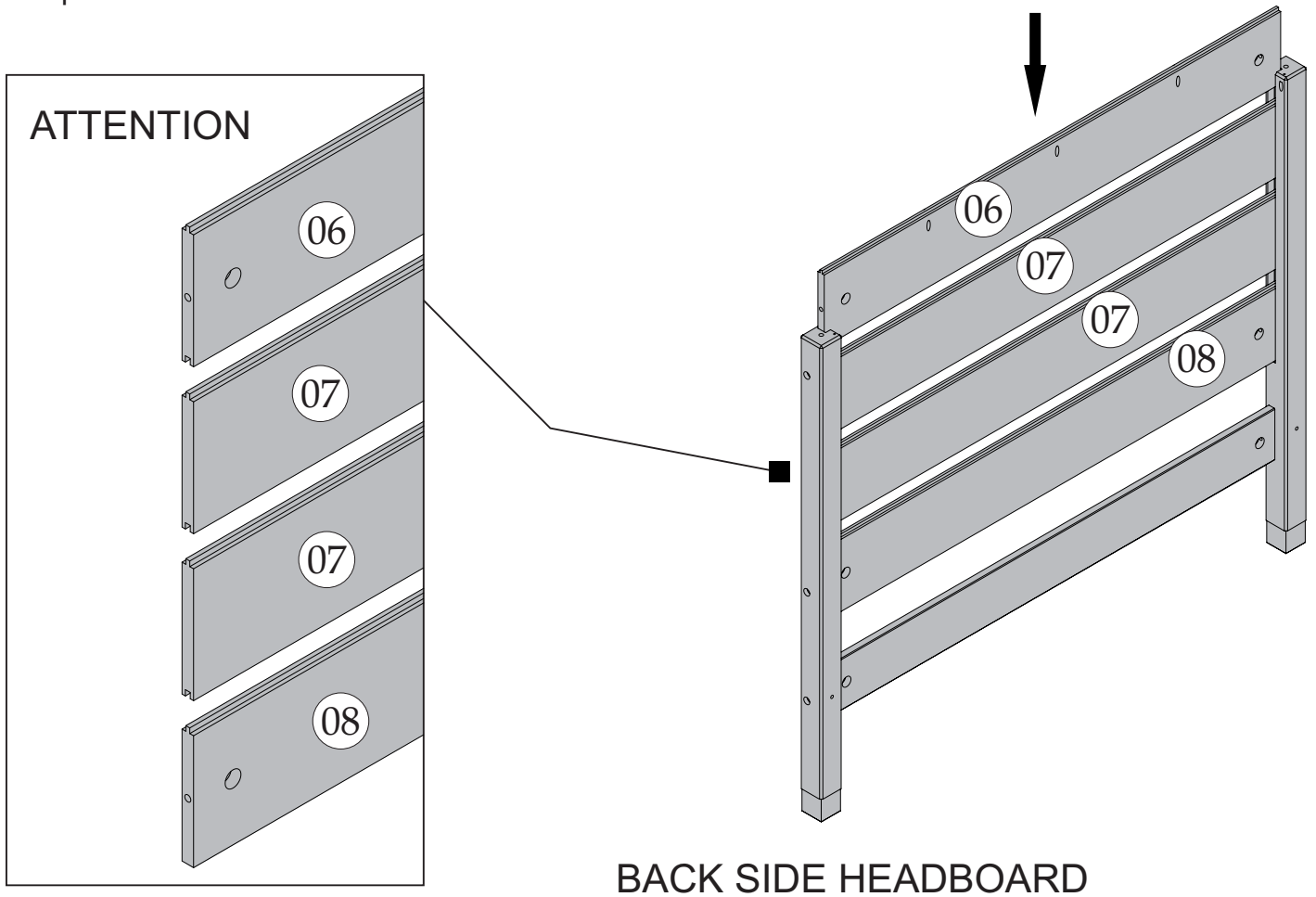
Hardware list for assembly.  
Please confirm all hardware available before assembly

					SPARE
A		$\varnothing 3/8" \times 1' 9/16"$	16x	+	02x
B		$\varnothing 1/4" \times 4' 1/4"$	10x	+	01x
F			01x	+	01x
Z		$\varnothing 1/8" \times 5/8"$	40x	+	02x
AP		$\varnothing 1/8" \times 1' 3/8"$	75x	+	02x
AR		$\varnothing 5/16" \times 3' 1/2"$	02x		
AS		$1/2" \times 1' 1/4"$	02x		
AT		$\varnothing 5/16"$	02x	+	01x
AU		$1/2"$	01x		
BC		$1/4"$	12x	+	02x
BF			04x		
BI		$\varnothing 1/4" \times 5"$	02x	+	01x
BJ		$\varnothing 3/4"$	10x	+	02x
BK		$3' 1/2"$	02x		
BL		$\varnothing 1/4" \times 2"$	06x		
BU			02x		

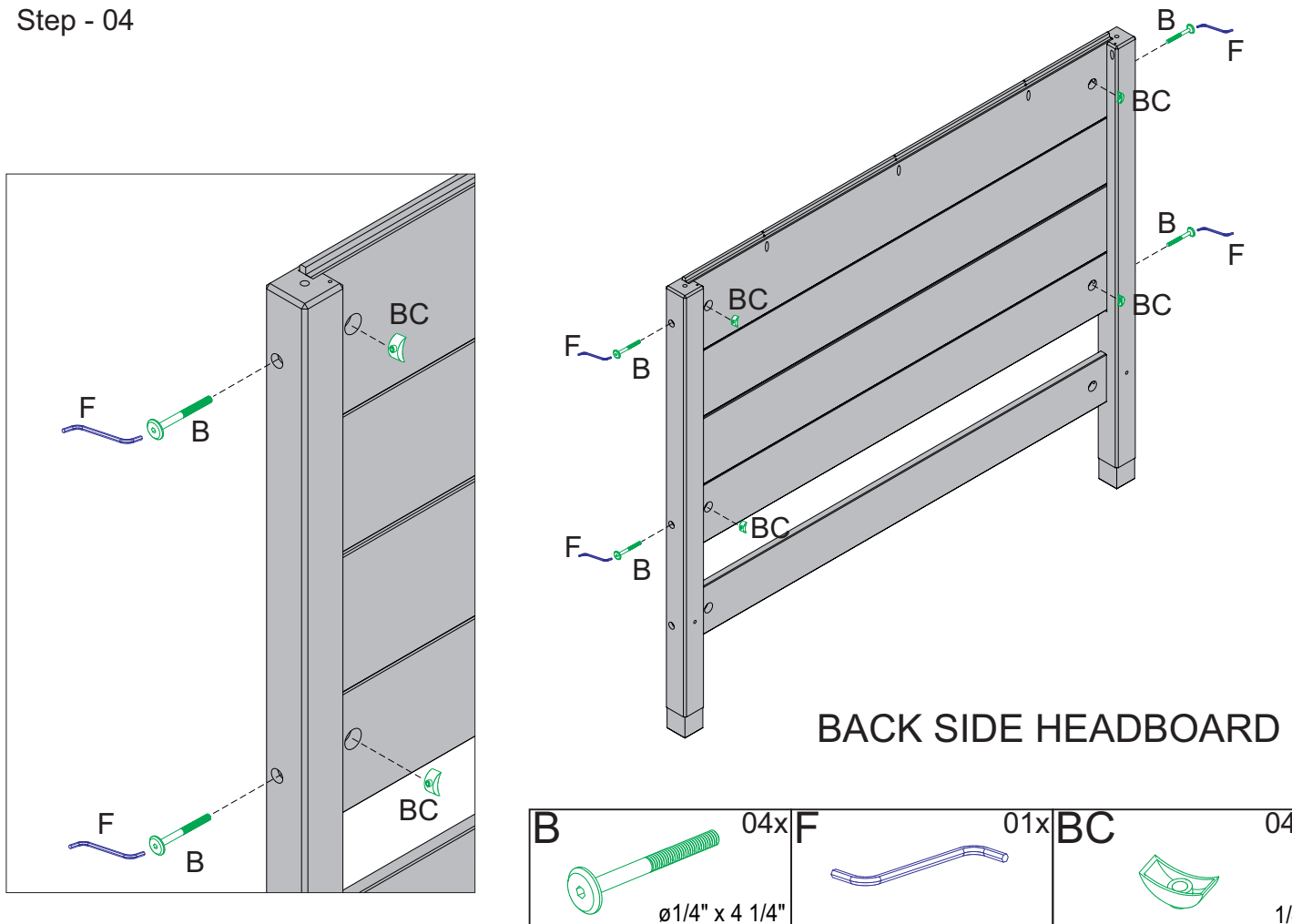




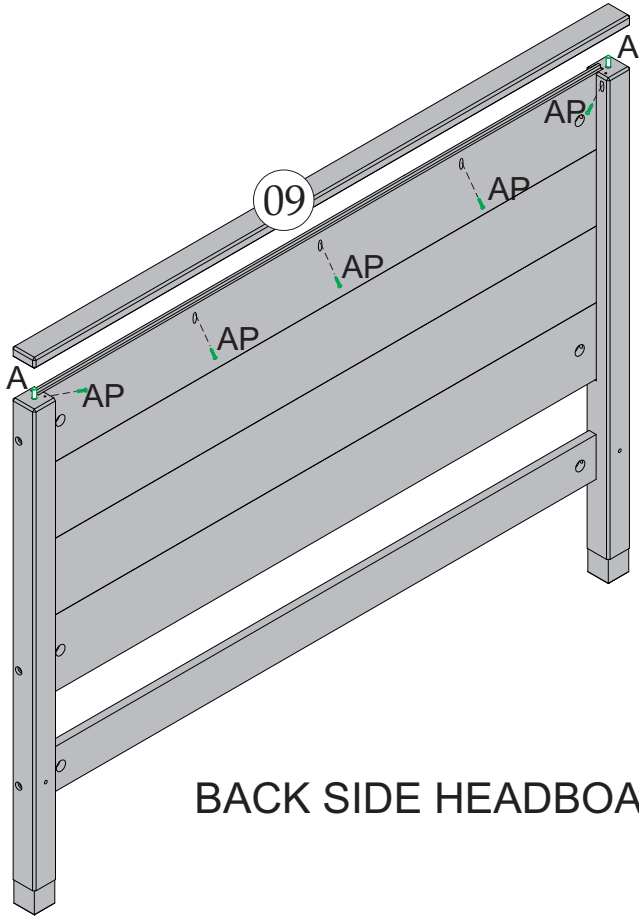
Step - 03



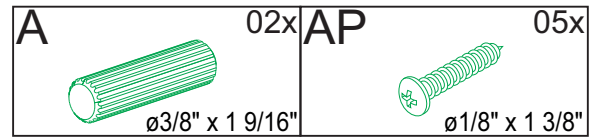
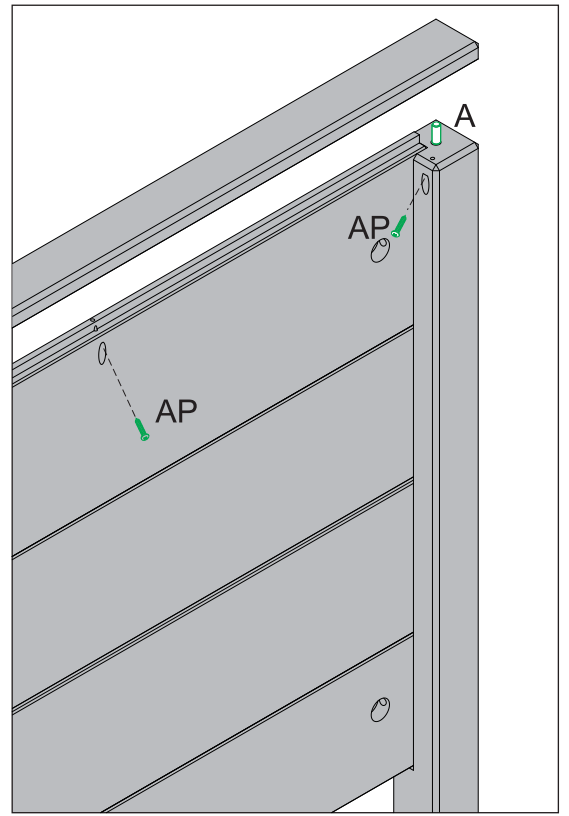
Step - 04



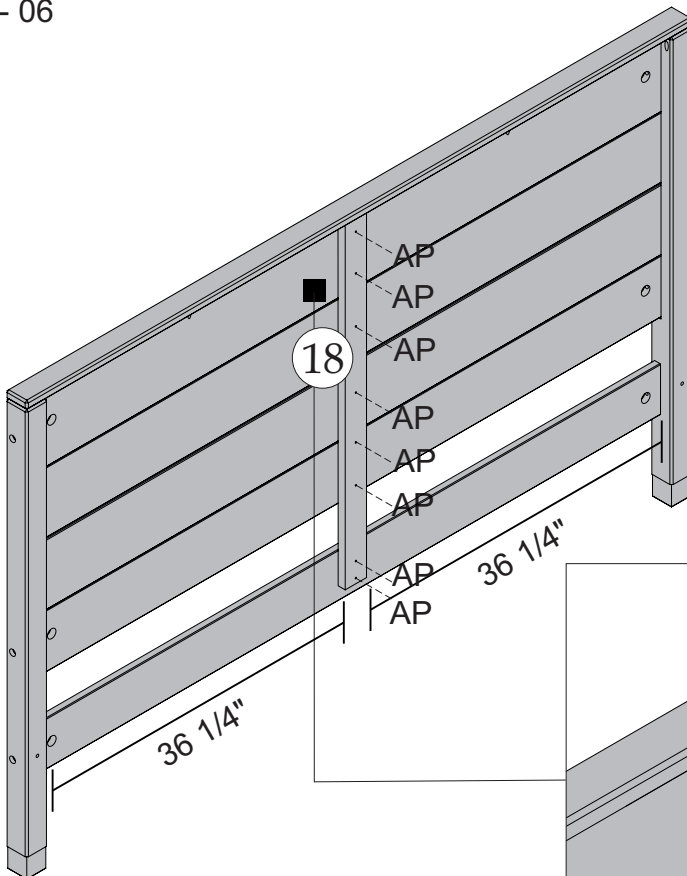
Step - 05



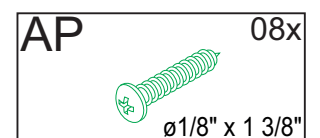
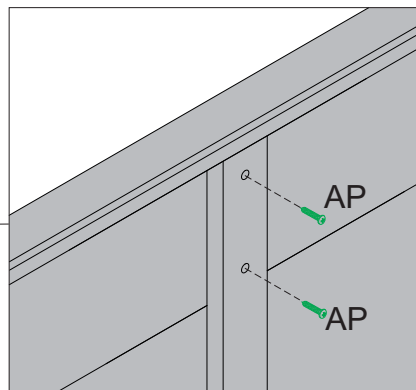
BACK SIDE HEADBOARD



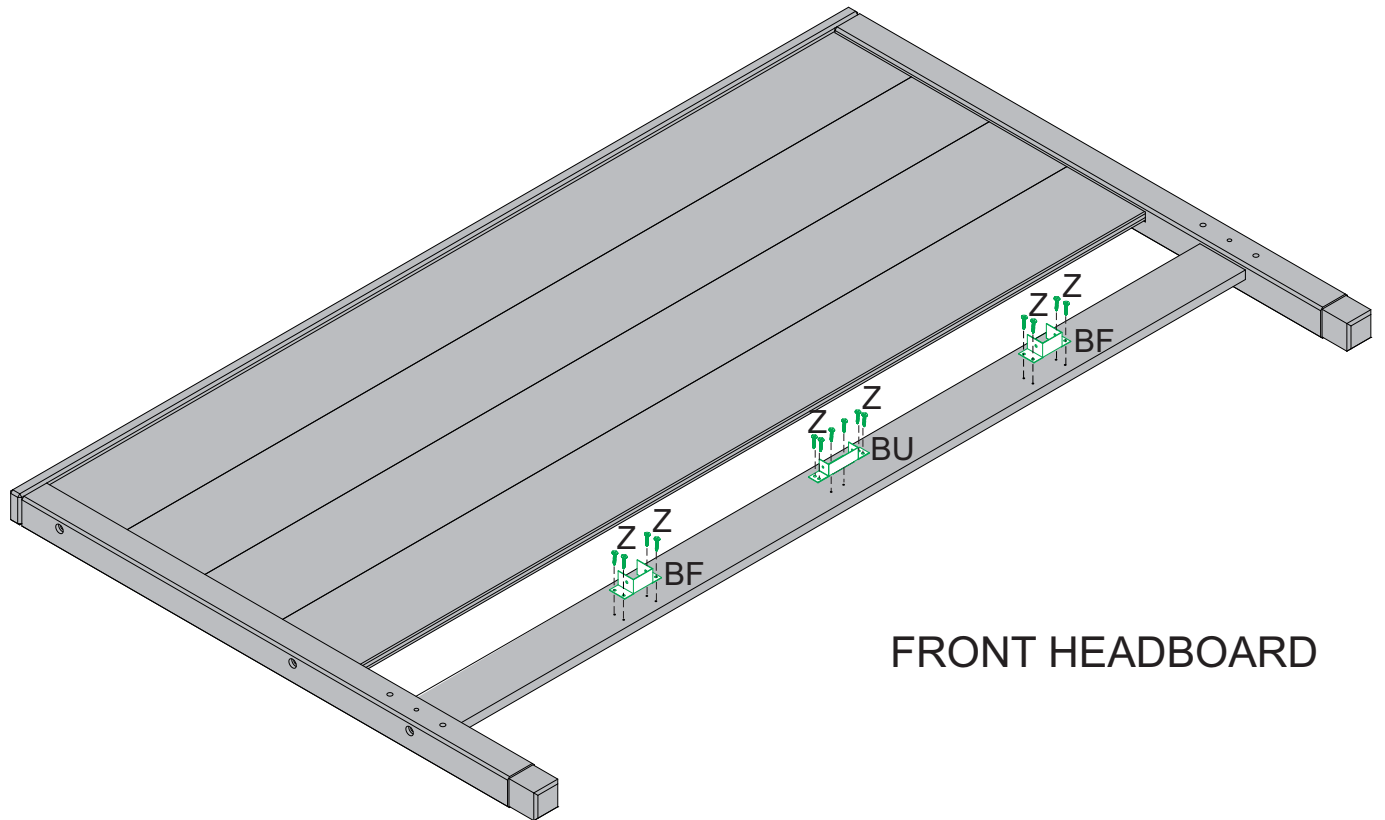
Step - 06


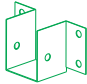
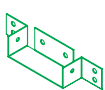


BACK SIDE HEADBOARD

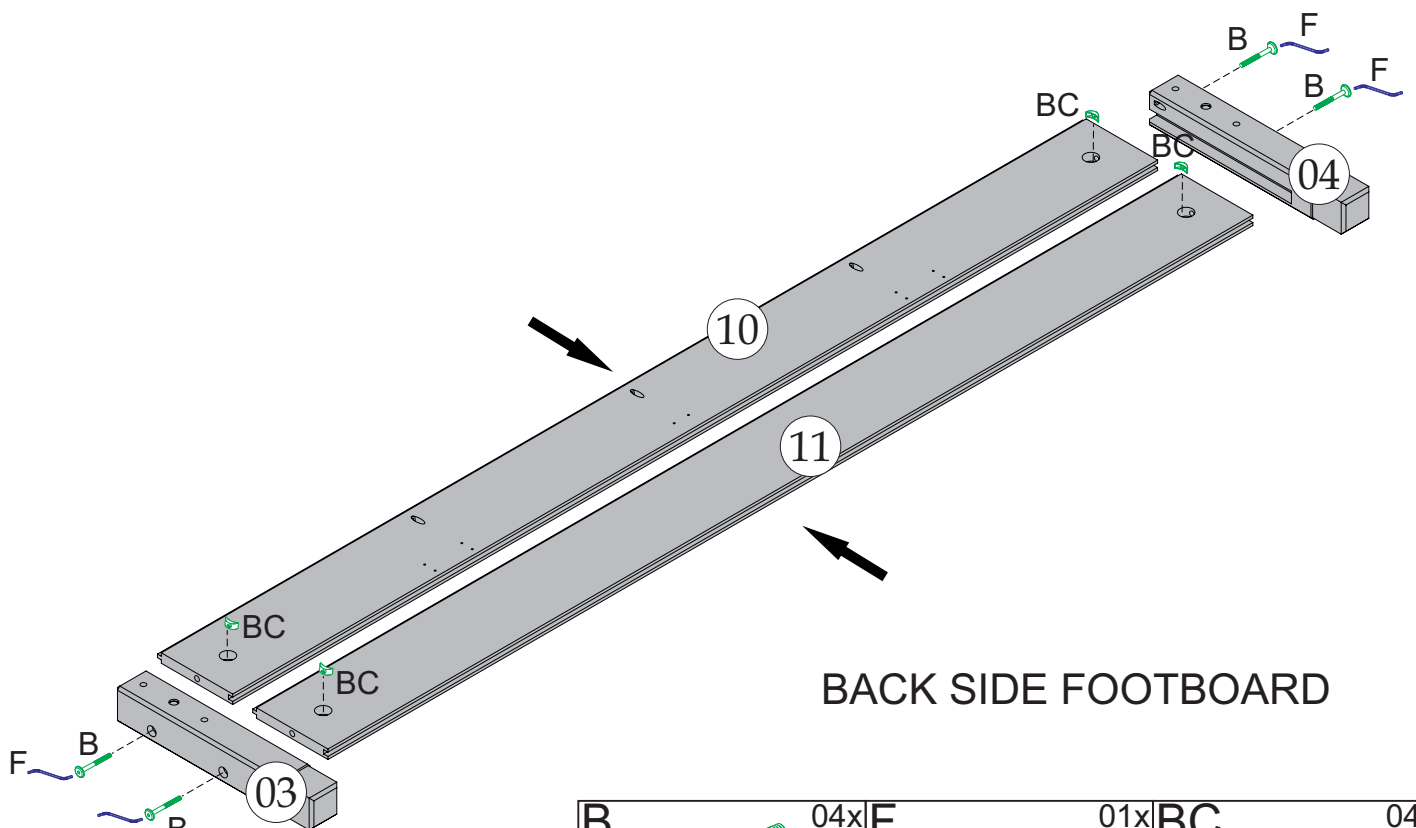


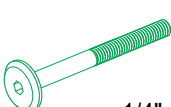


Step - 07



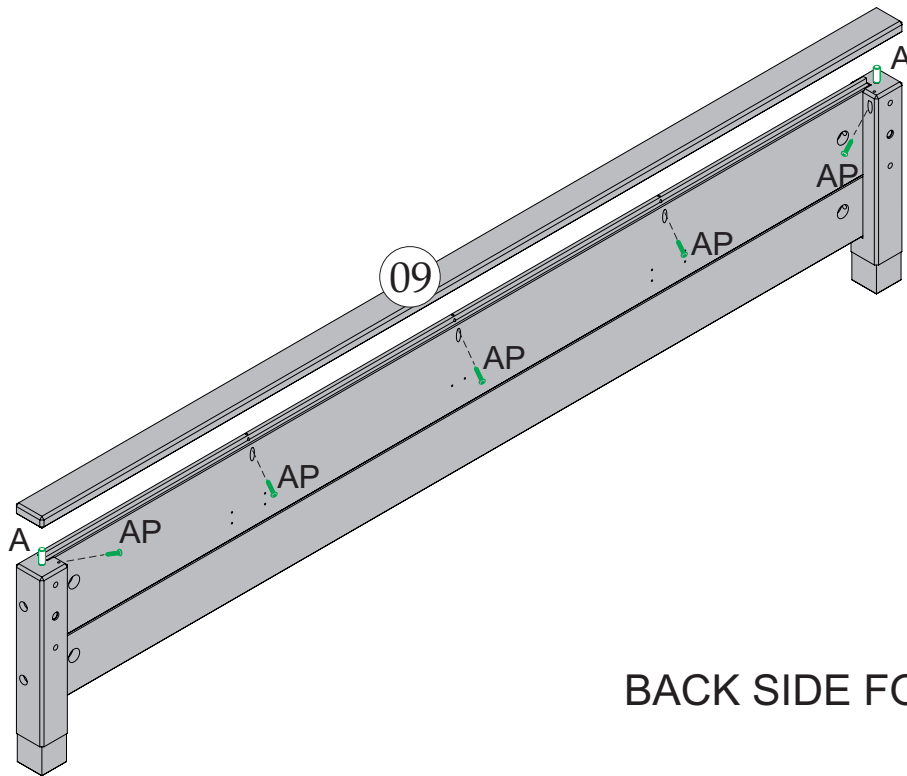
Z	14x	BF	02x	BU	01x
					
	ø1/8" x 5/8"				

Step - 08

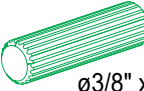



B	04x	F	01x	BC	04x
					
	ø1/4" x 4 1/4"				1/4"

Step - 09

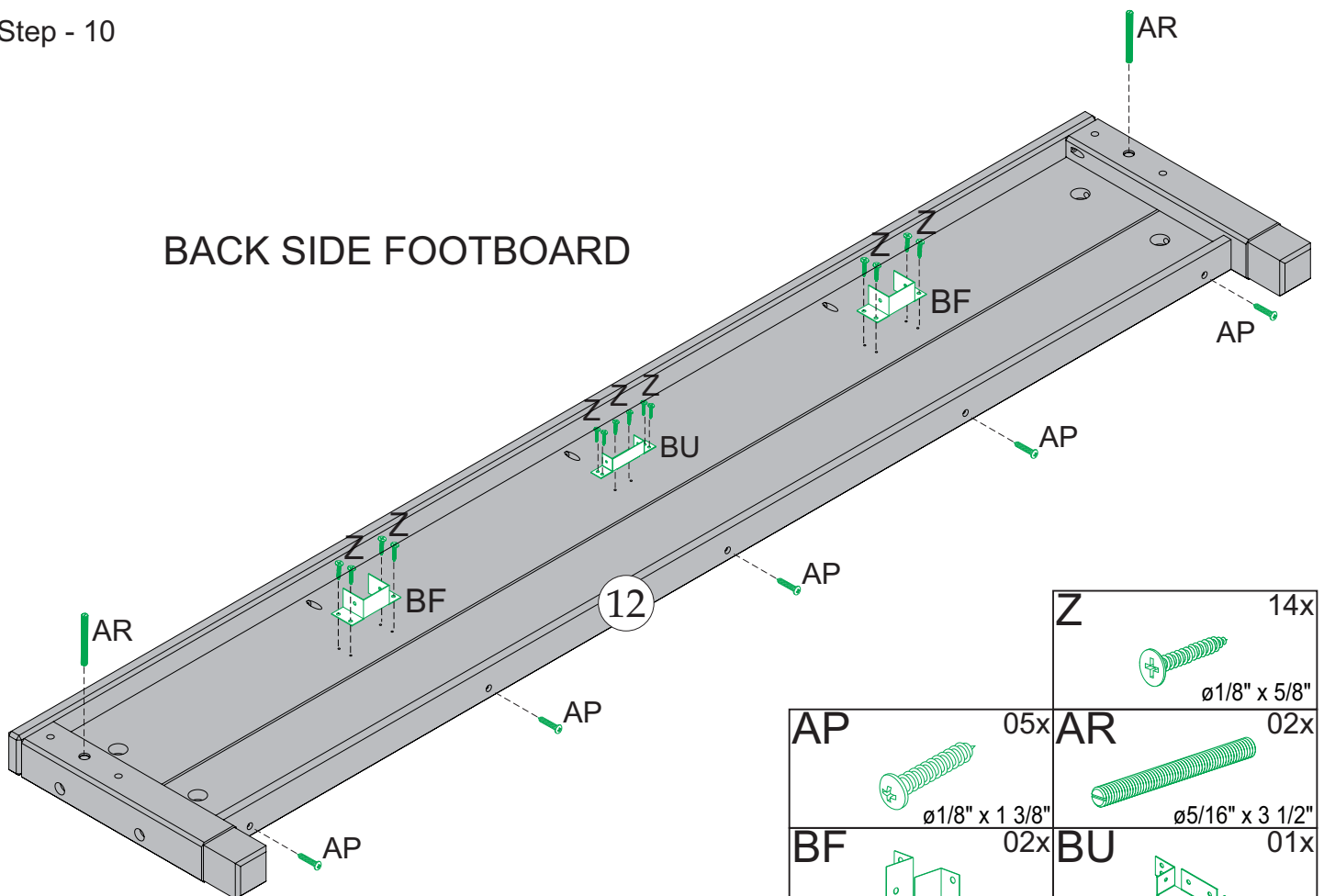



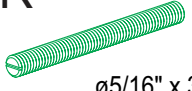



BACK SIDE FOOTBOARD

<b>A</b>	02x	<b>AP</b>	05x
			
ø3/8" x 1 9/16"		ø1/8" x 1 3/8"	

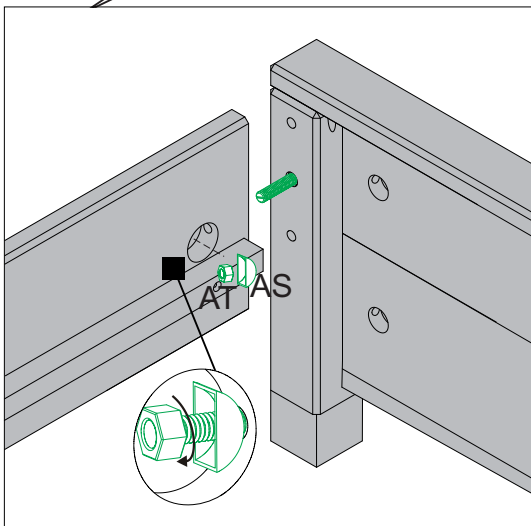
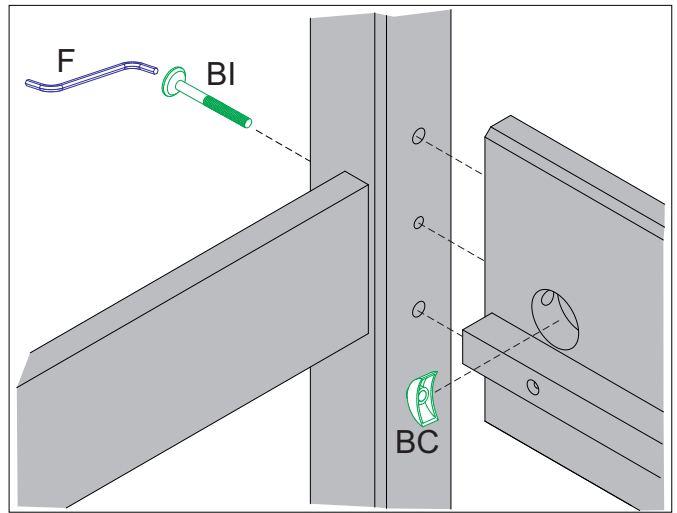
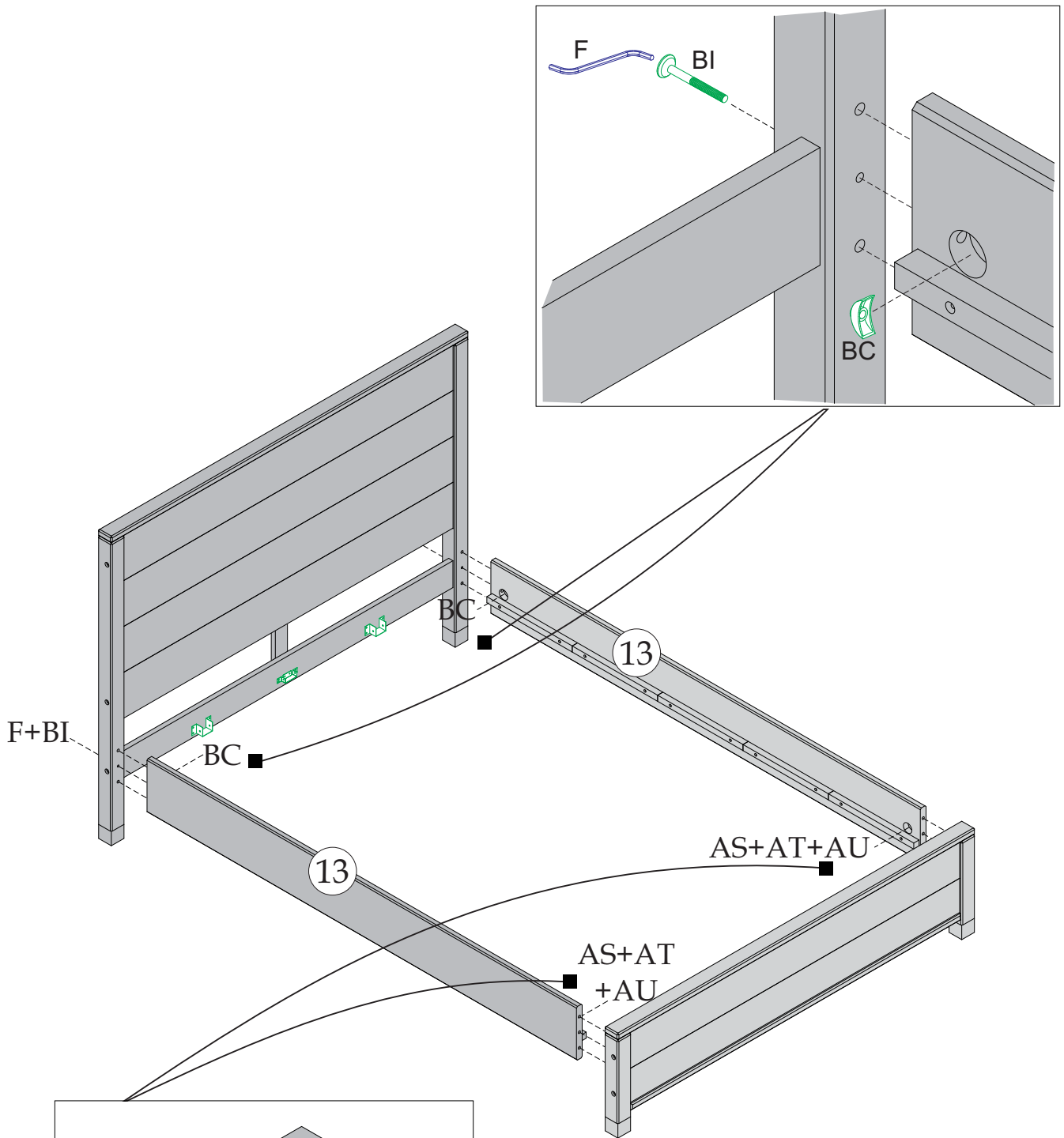
Step - 10






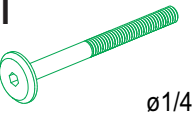
BACK SIDE FOOTBOARD



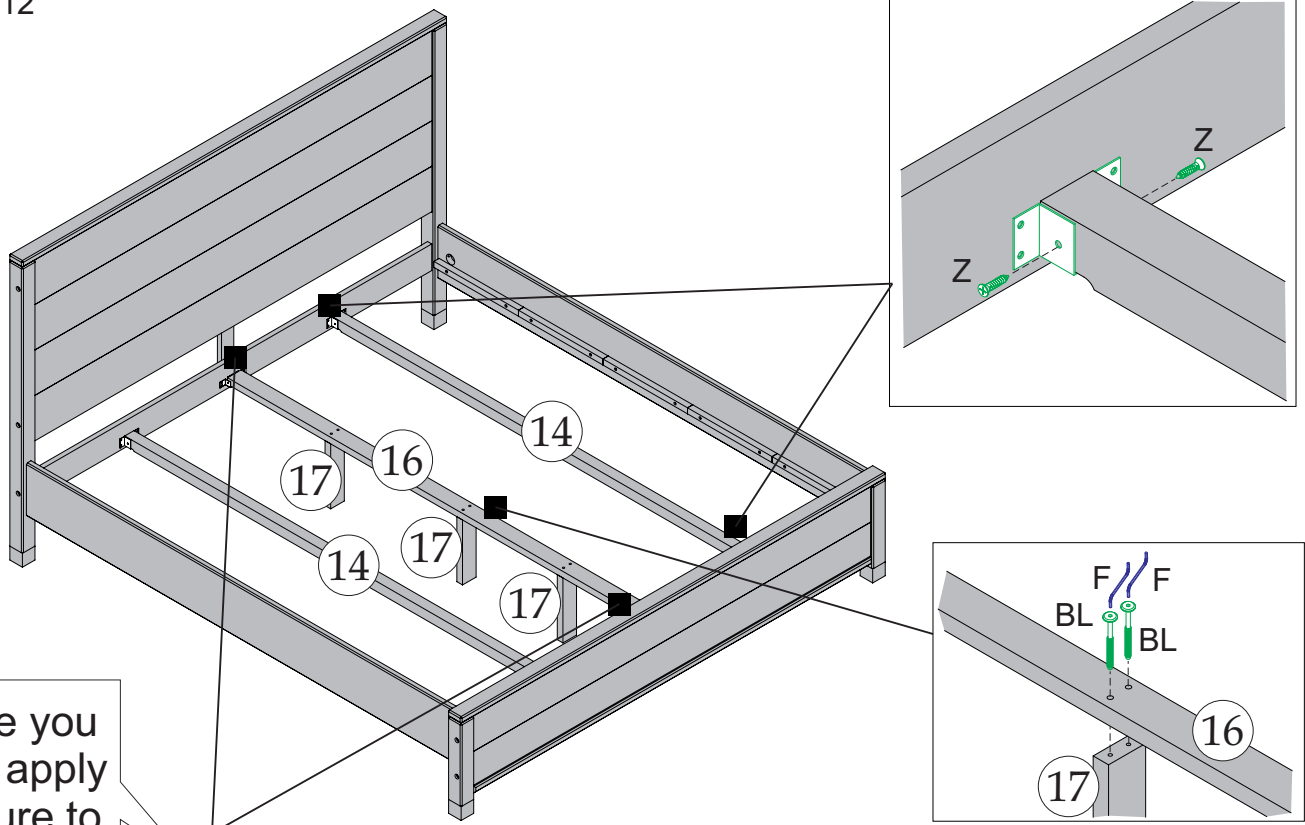
<b>Z</b>	14x	<b>AR</b>	02x
			
ø1/8" x 5/8"		ø5/16" x 3 1/2"	
<b>AP</b>	05x	<b>BF</b>	02x
			
ø1/8" x 1 3/8"		<b>BU</b>	01x
			

Step - 11

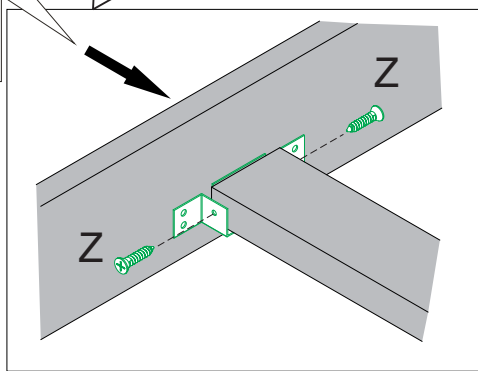


<b>F</b>	01x	<b>AS</b>	02x
			1/2" x 1 1/4"
<b>AT</b>	02x	<b>AU</b>	01x
			1/2"
<b>BC</b>	02x	<b>BI</b>	02x
	1/4"		ø1/4" x 5"

Step - 12

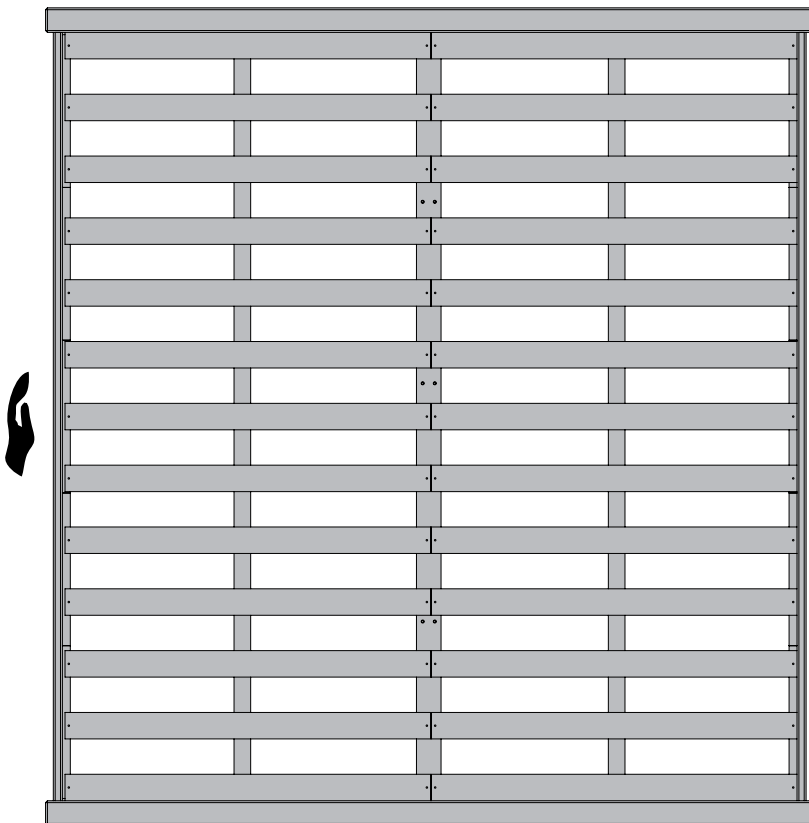
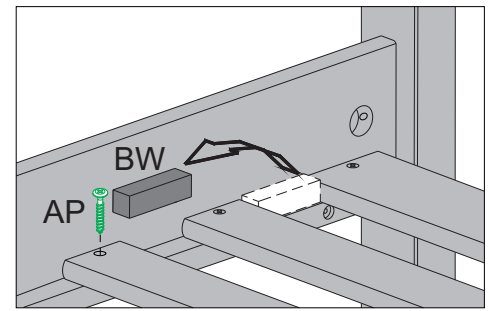
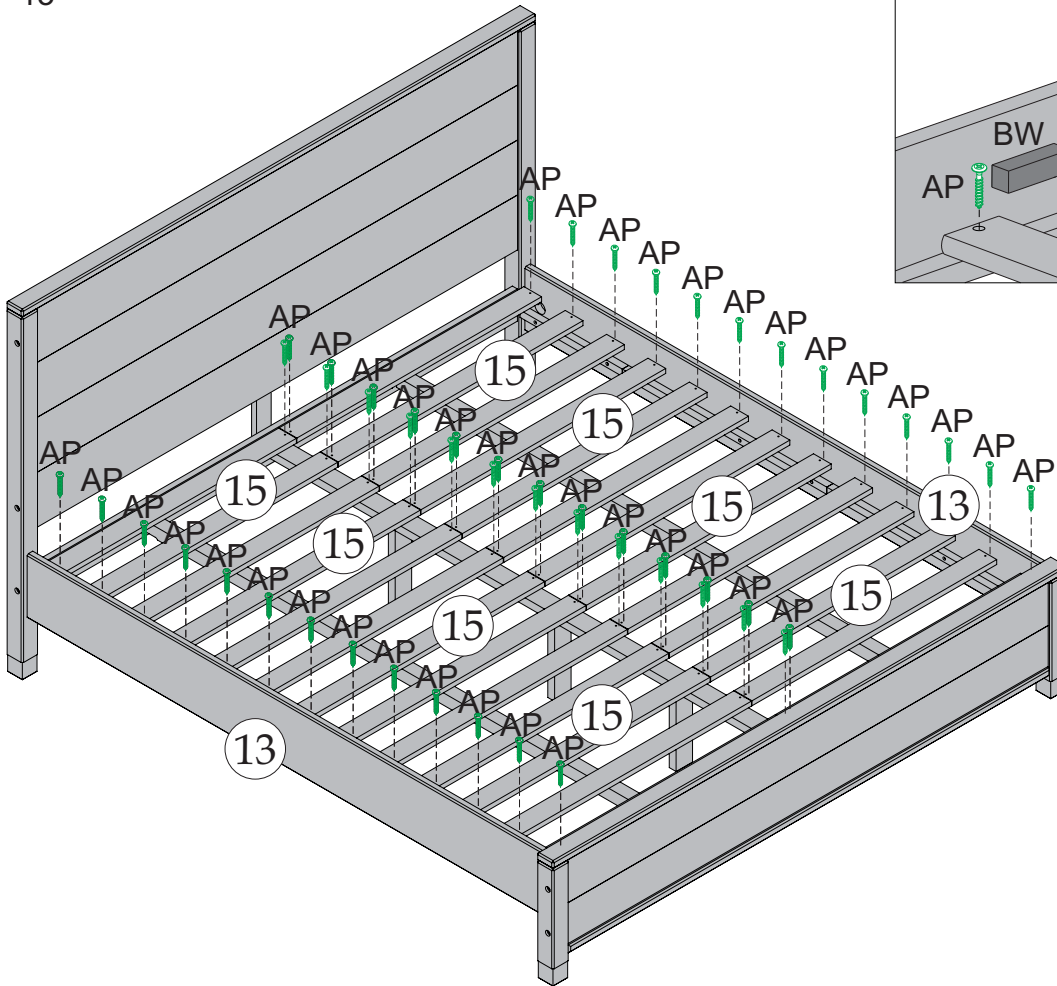


Before you screw apply pressure to cross beam.



<b>F</b>	01x	<b>Z</b>	12x	<b>BL</b>	06x
			$\varnothing 1/8" \times 5/8"$		$\varnothing 1/4" \times 2"$

Step - 13



Before you screw in the slats, apply pressure to center of cross beams (part. No. 13) to ensure slats (part. No. 15) fit evenly between cross beams.



