

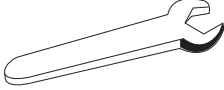
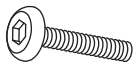

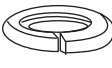
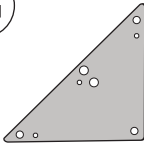

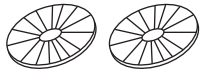


Assembly Instructions
Camea Bed
Queen Size

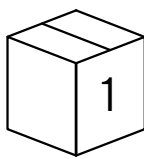
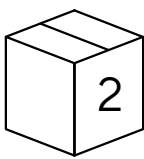
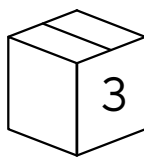


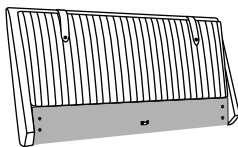
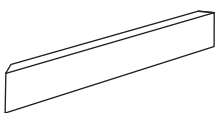
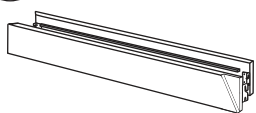

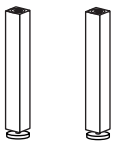
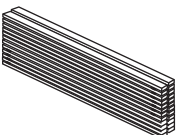
Assembly Items

<p>A</p>  <p>M4 Allen Key x 1pc</p>	<p>B</p>  <p>M5 Allen Key x 1pc</p>	<p>C</p>  <p>M13 Spanner x 1pc</p>	<p>D</p>  <p>M8 x 40mm x 4pcs</p>
<p>E</p>  <p>M8 Nut x 2pcs</p>	<p>F</p>  <p>M8 Spring Washer x 6pcs</p>	<p>G</p>  <p>Triangle Brackets x 2pcs</p>	<p>H</p>  <p>Legs x 4pcs</p>
<p>I</p>  <p>Plastic Washers x 2pcs</p>			

Parts List

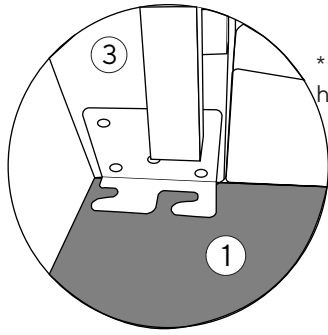
Numbered parts can be found in the following numbered boxes

 <p>1</p>	 <p>2</p> <p>Assembly items pack</p>	 <p>3</p>
<p>①</p>	<p>② ③ ④ ⑤</p>	<p>⑥</p>

<p>1</p>  <p>Headboard x 1pc</p>	<p>2</p>  <p>Footboard x 1pc</p>	<p>3</p>  <p>Side Rails x 2pcs</p>	<p>4</p>  <p>Center Rail x 1pc</p>
<p>5</p>  <p>Support Legs x 2pcs</p>	<p>6</p>  <p>Slats x 1 set</p>		

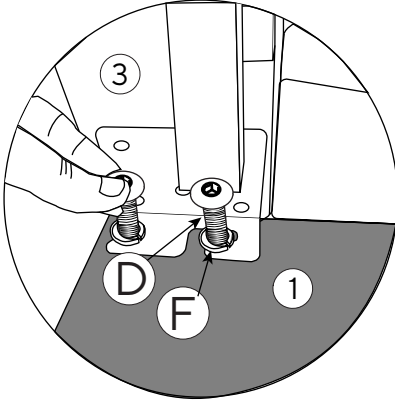
Step 1

Step 1



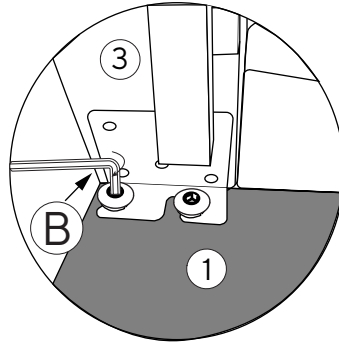
* Place the siderail on headboard.

Step 2

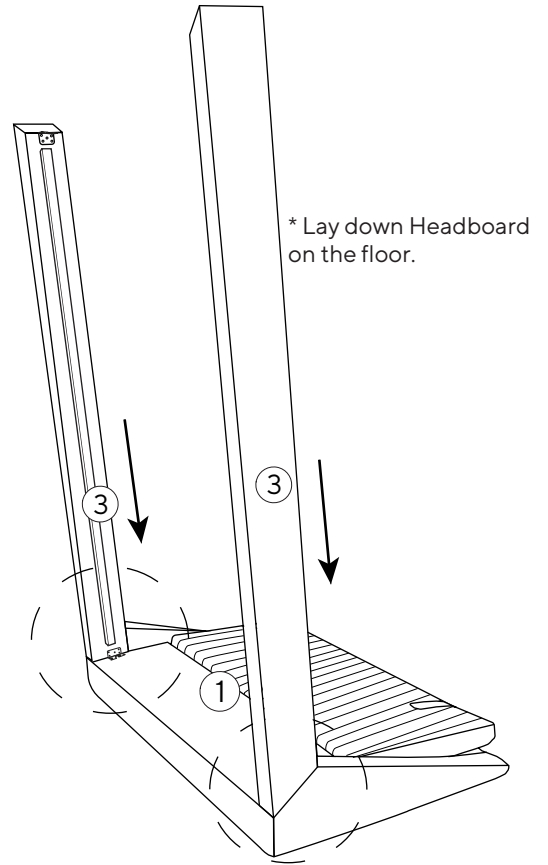


* Insert & fix the bolt by hand

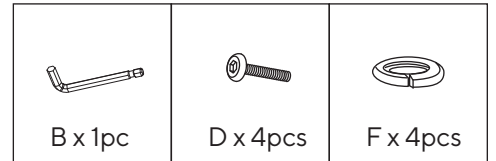
Step 3



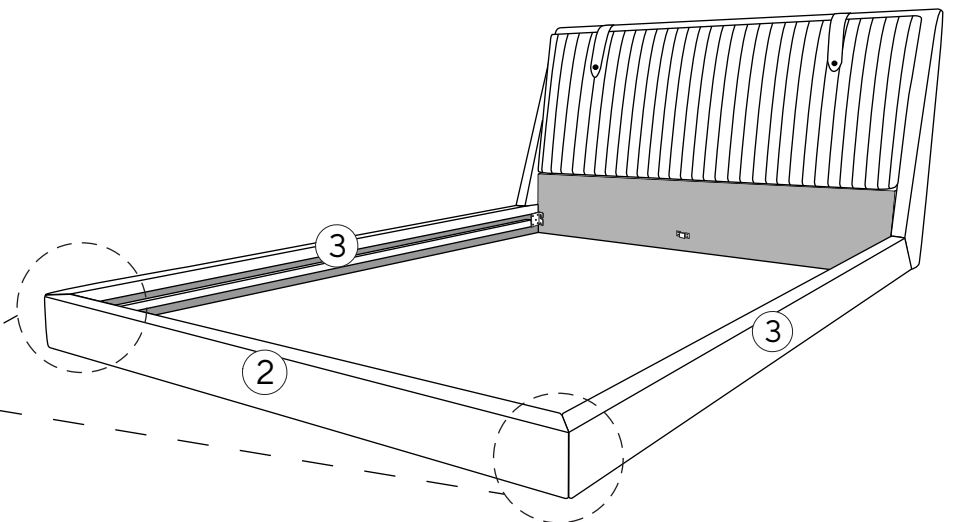
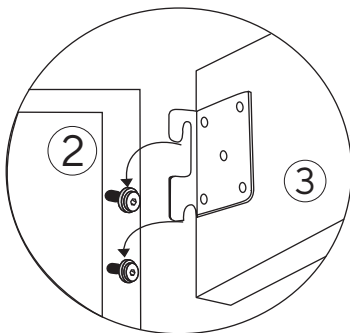
*Tighten all bolts



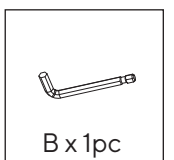
* Lay down Headboard on the floor.



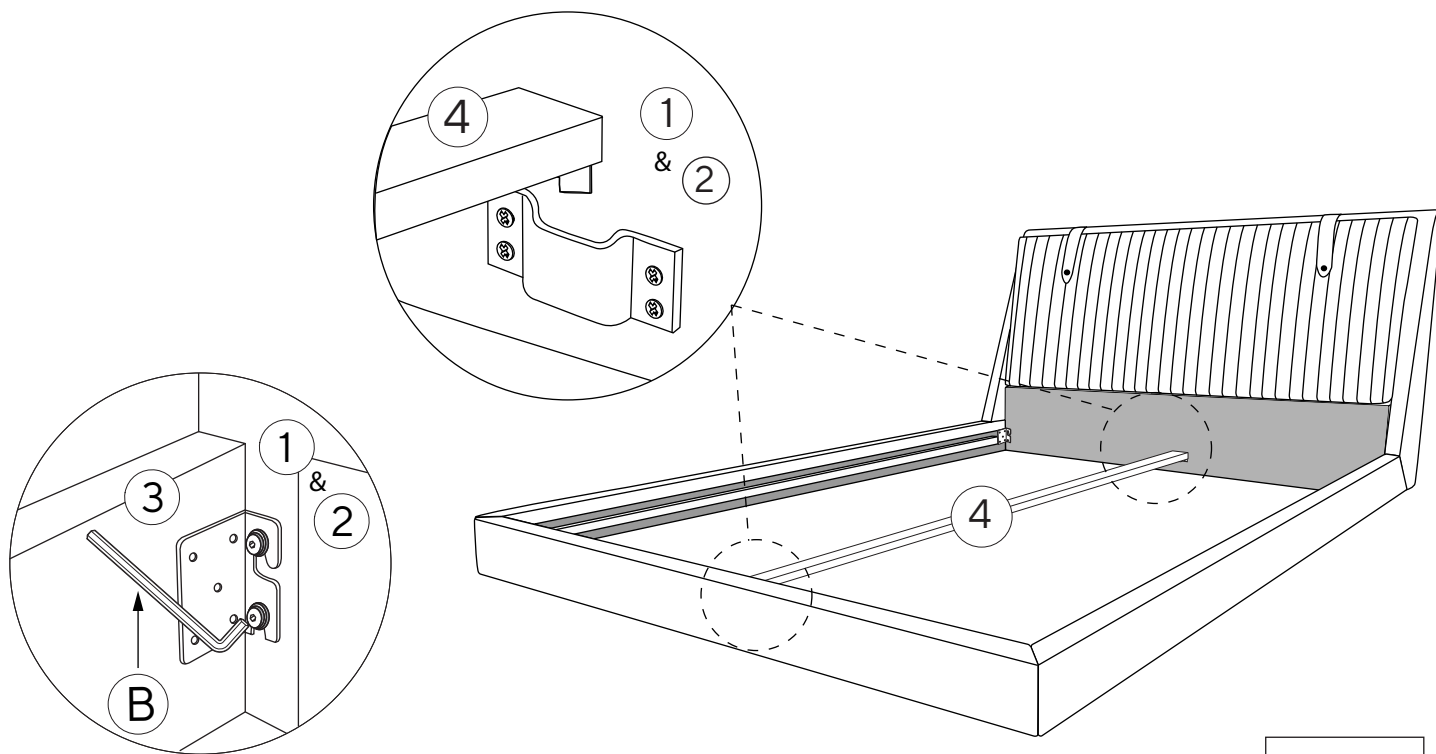
Step 2



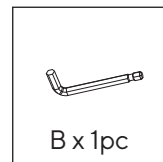
*Loosely secure parts until you have installed the Center rail (4) on next step



Step 3

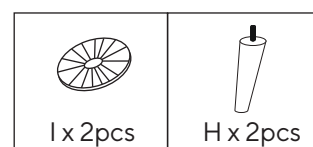
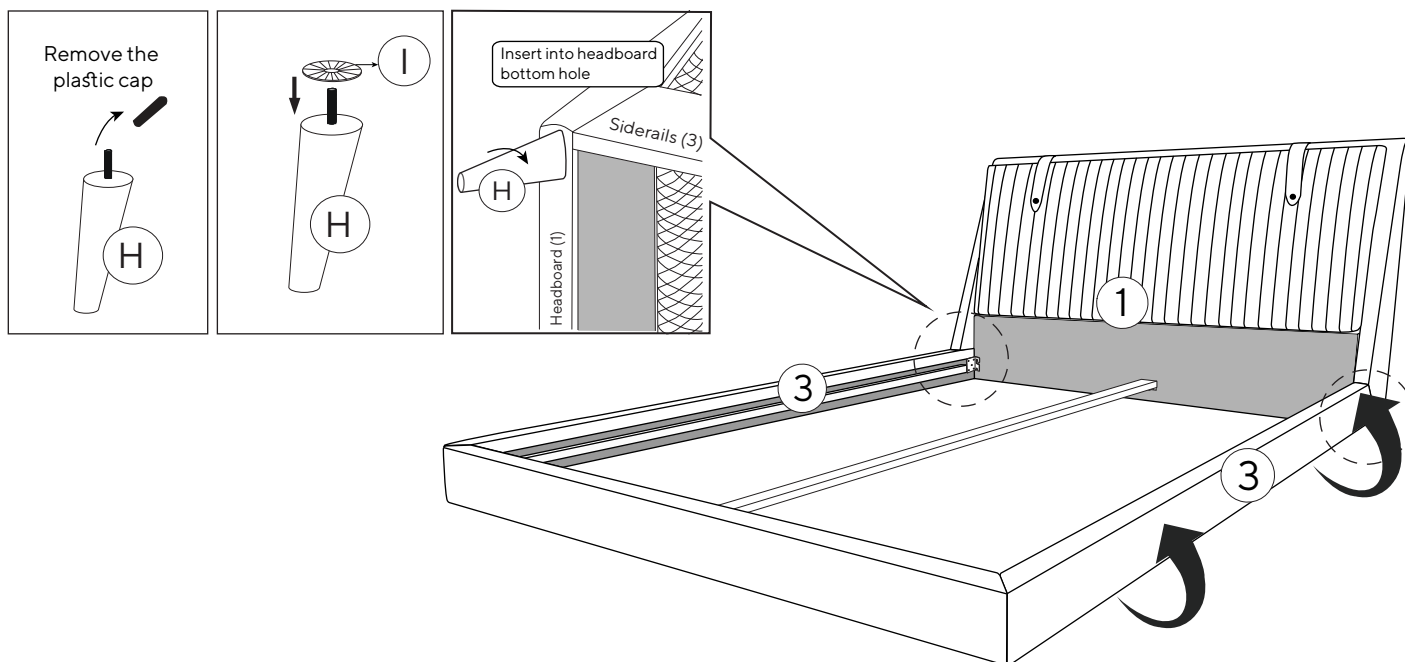


*Tighten all bolts

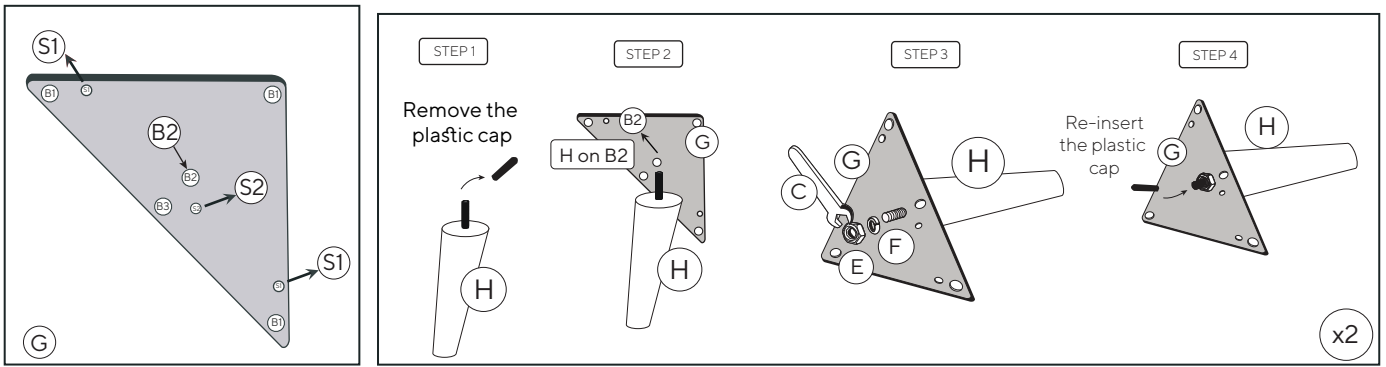


Step 4

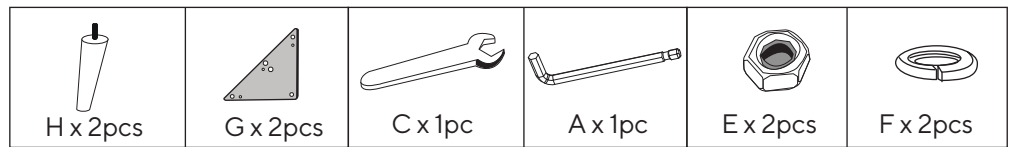
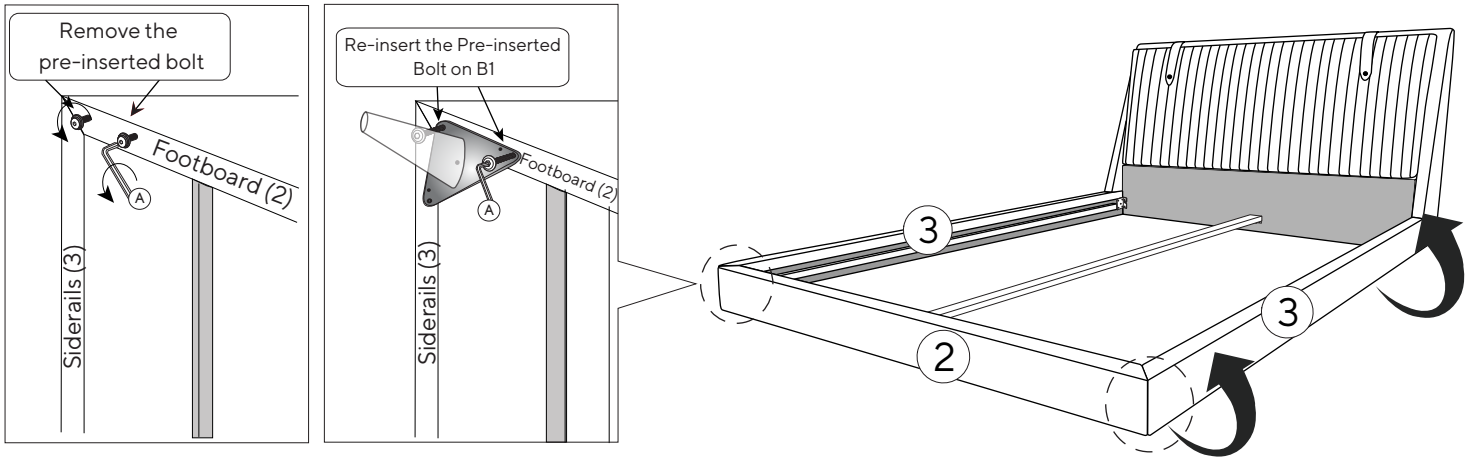
Headboard



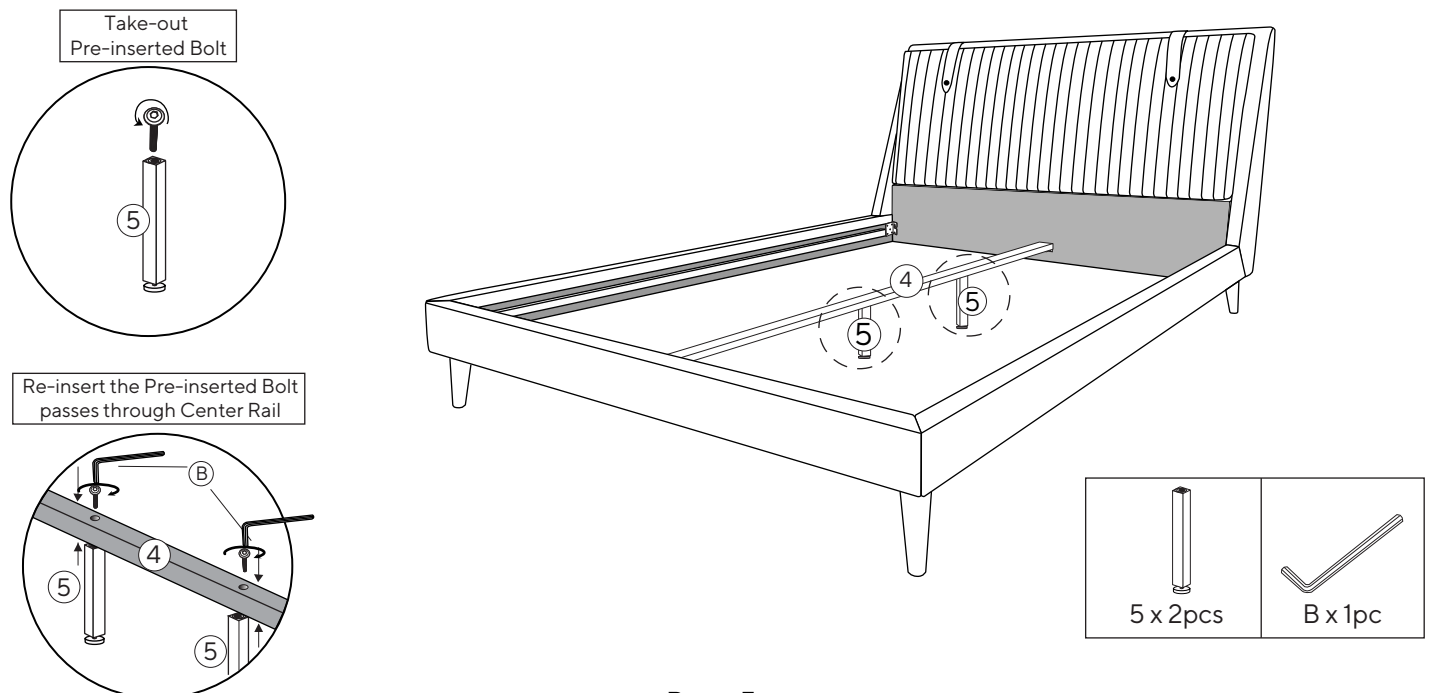
Step 5



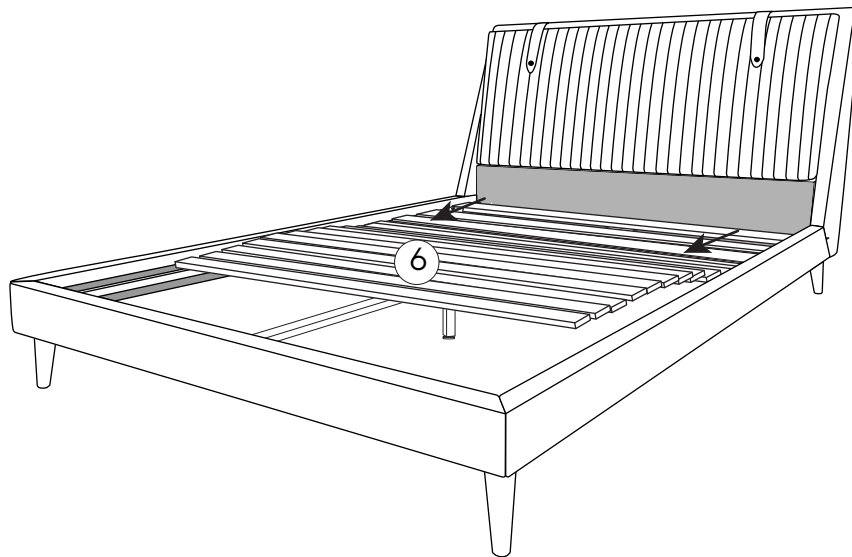
Footboard (2)



Step 6

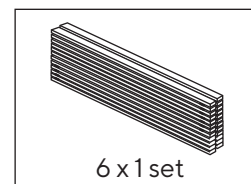
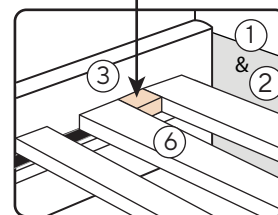
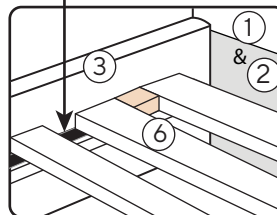


Step 7



Strapping belt should be face down

Ensure the first 2 slats are in between the block.



Your bed is ready.

