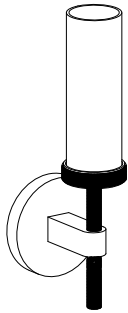
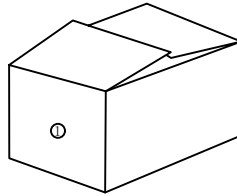


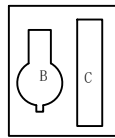
Installation Manual



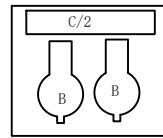
Packing Diagram



①



1 Pack



2 Pack

Before Assembly:



Wishing you a happy life.

★★★★★
5-Star Rating
Thank you

- ★ Please carefully read all instruction steps.
- ★ Retain this manual for future reference.
- ★ Unpack and inventory all parts and hardware.
- ★ Read each step carefully and follow the correct installation sequence.
- ★ To avoid losing parts during assembly, we recommend not moving the fixture until assembly is complete.
- ★ Keep all small parts and packaging materials of this product away from infants and children, as they may cause serious injury.

★ Product Specifications:

Light Holder: E26*125/300 Wattage: 3W Color Temperature: 3000K

Accessories List



4pcs

4pcs

3pcs



A. Main Mounting Plate-1pcs



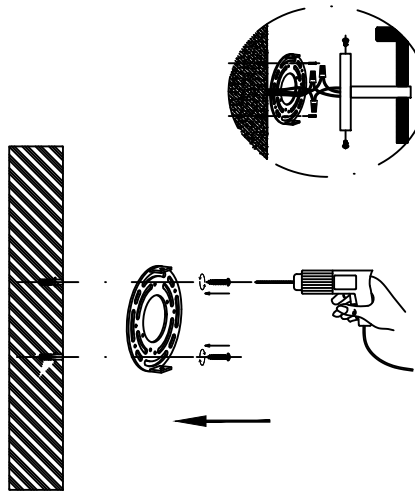
B. Main Lamp Frame-1pcs



C. Glass Lampshade-1pcs

① Lamp body assembly:

- (1) Locate the lamp body from the sorting list.
- (2) Remove the mounting plate and attach it to the wall.
- (3) Connect the main power wire to the lamp body wire, and lock the plateplate.



② Light Source and Lampshade Assembly:

- (1) Screw one E26 bulbs into the lamp holders.
- (2) Install the glass lampshades onto the lamp body.
- (3) Installation complete.

