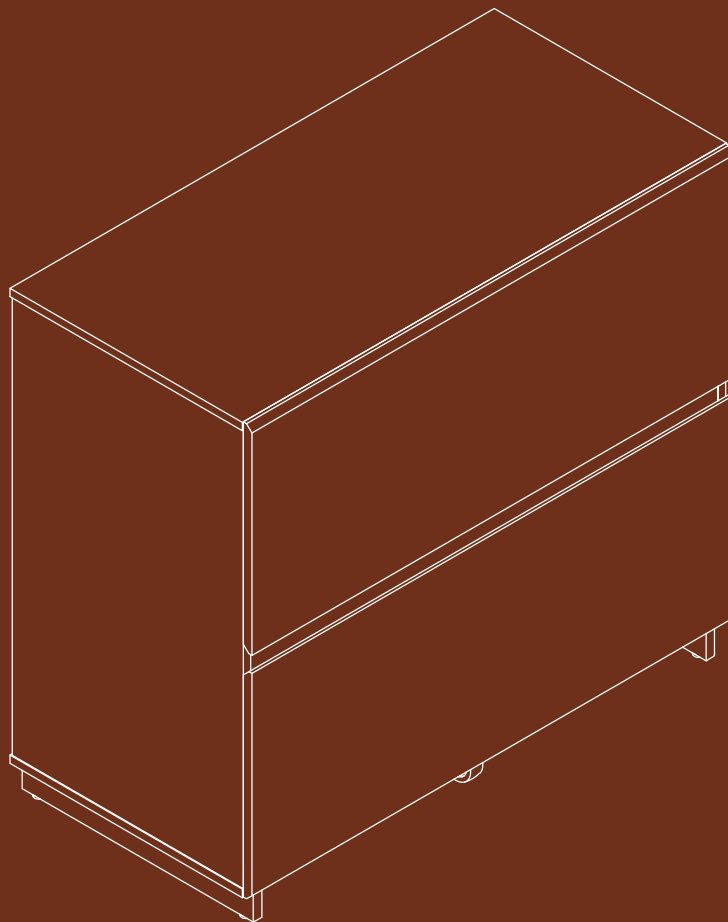


# ASSEMBLY INSTRUCTION

File Cabinet



## INTRODUCTION

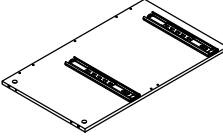
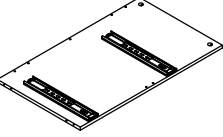
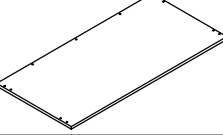
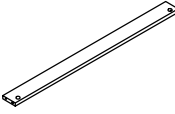
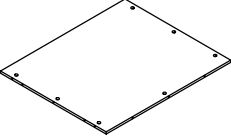
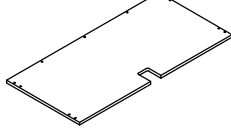
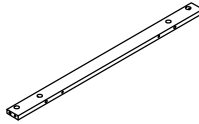
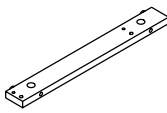
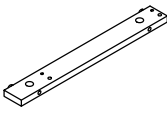
Thank you for purchasing our products. Please read the instructions carefully before installation and keep it in a safe place for future reference. If you need any assistance or support, please feel free to contact our customer support team.

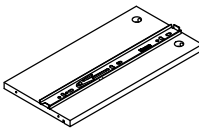
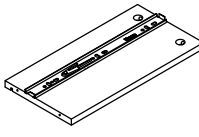
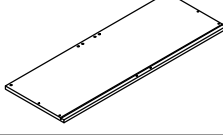
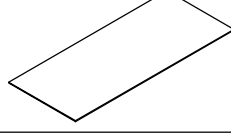
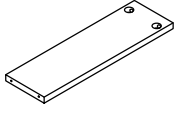
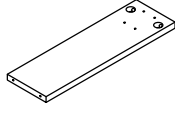
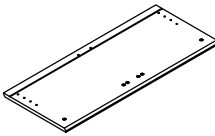
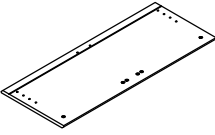
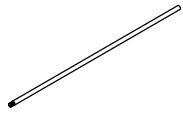
## PRECAUTIONS

1. There are many components and accessories in the package. Each component and accessory is labeled with a letter or a number, check carefully before using any of them. Keep them away from children to prevent accidents.
2. Please install the product on a clean and soft underlay (such as carpet or cardboard) to avoid scratching or damaging the surface of the product.
3. The main components of the product is relatively heavy. Please pay attention to safety during installation.
4. The product is not stable during installation. Please do not move it randomly before it is completely installed.
5. If you have any questions during installation, please contact the customer service in time.

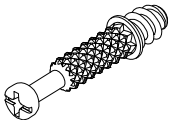

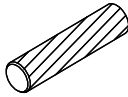
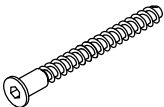
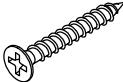
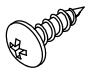

- \* **Please be sure to follow the installation steps in the manual to avoid unnecessary losses caused by improper installation.**
- \* **If you need further assistance, please contact the customer service online.**



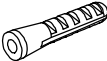

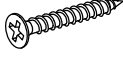
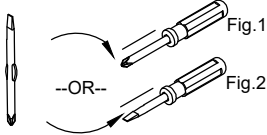
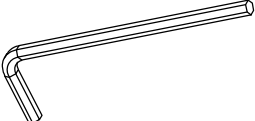
## Parts List

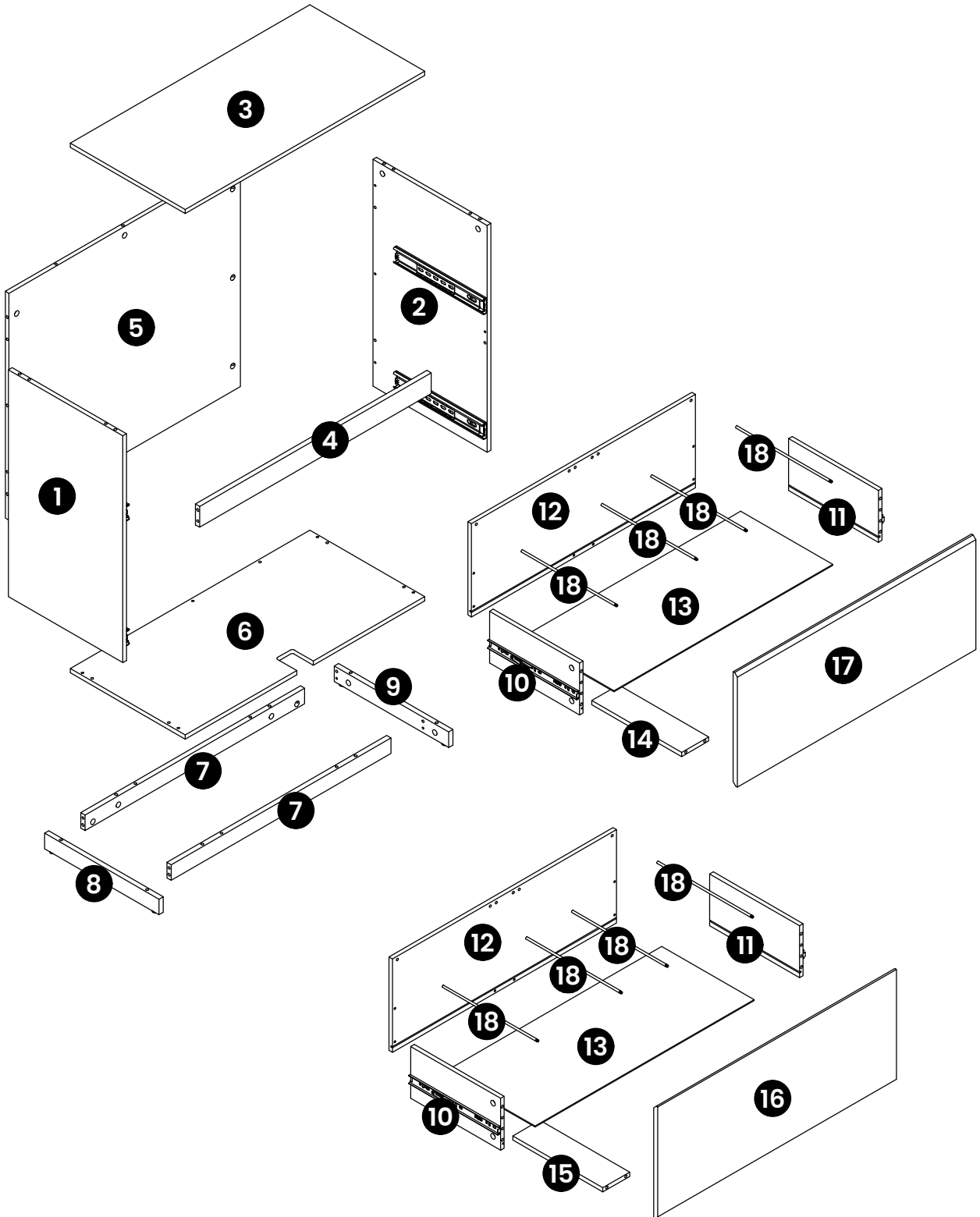
| ID | Parts   | QTY |
|----|---|-----|
| 1  |    | 1   |
| 2  |    | 1   |
| 3  |    | 1   |
| 4  |  | 1   |
| 5  |  | 1   |
| 6  |  | 1   |
| 7  |  | 2   |
| 8  |  | 1   |
| 9  |  | 1   |

| ID | Parts   | QTY |
|----|---|-----|
| 10 |    | 2   |
| 11 |    | 2   |
| 12 |    | 2   |
| 13 |  | 2   |
| 14 |  | 1   |
| 15 |  | 1   |
| 16 |  | 1   |
| 17 |  | 1   |
| 18 |  | 8   |

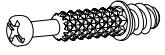
## Hardware List

| ID       | Parts   | QTY  |
|----------|---|------|
| <b>A</b> | Ø6x34mm    | 37+2 |
| <b>B</b> | Ø15x9.5mm  | 37+2 |
| <b>C</b> | Ø6x30mm    | 34+2 |
| <b>D</b> | M5x50mm  | 5    |
| <b>E</b> | Ø4x35mm  | 12+1 |
| <b>F</b> | Ø4x12mm  | 4    |
| <b>G</b> |          | 1    |

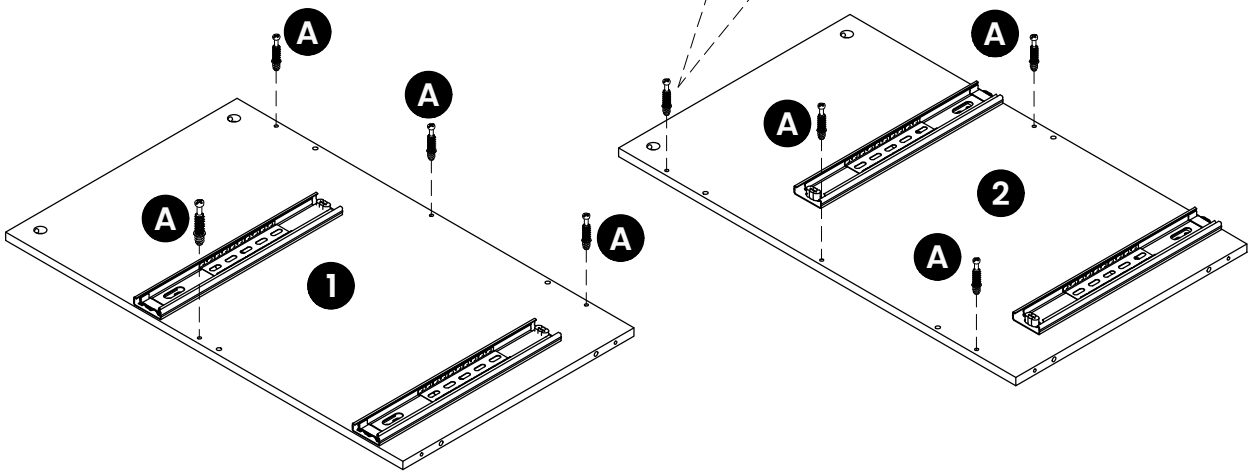
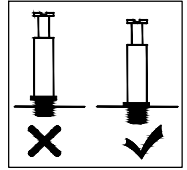
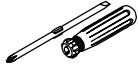
| ID       | Parts   | QTY |
|----------|---|-----|
| <b>I</b> | <br>11 x 2                     | 1   |
|          | <br>12 x 2<br>Ø4x15mm          |     |
|          | <br>13 x 2                     |     |
|          | <br>14 x 2                   |     |
|          | <br>15 x 2<br>Ø4x30mm        |     |
| <b>J</b> | <br>Fig.1<br>--OR--<br>Fig.2 | 1   |
| <b>K</b> |                              | 1   |



# STEP 1



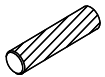
**A** x8



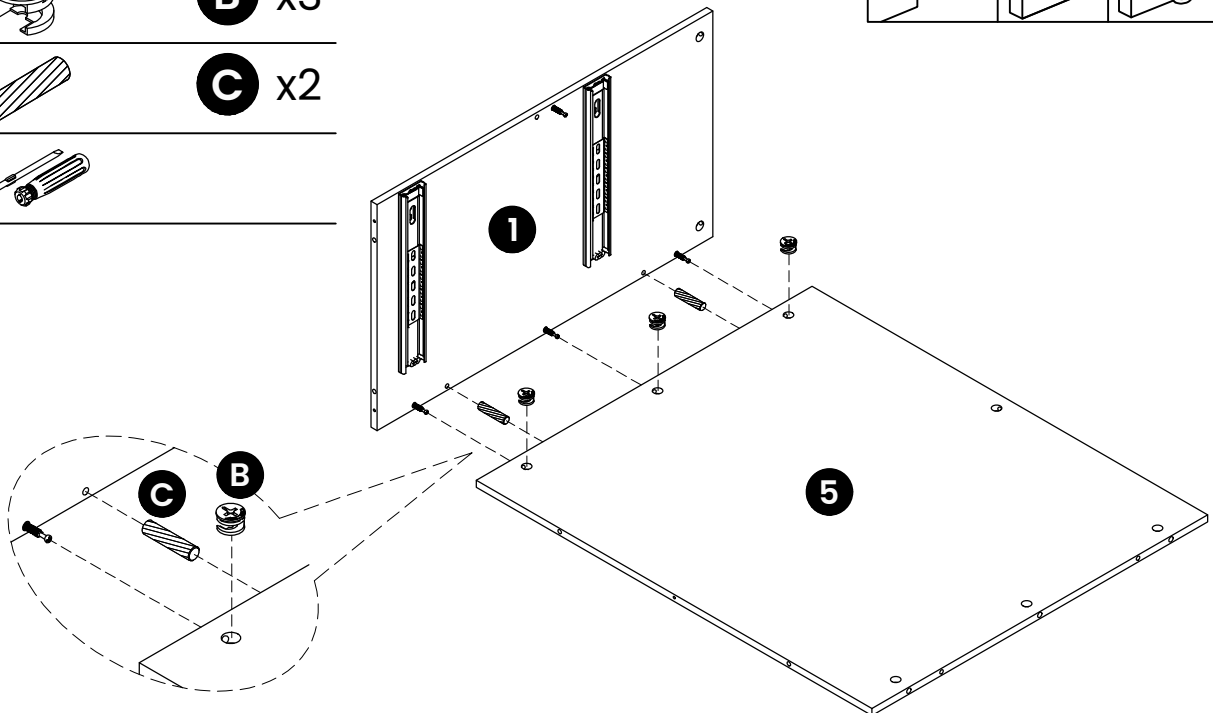
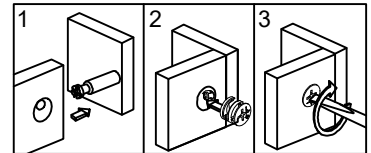
# STEP 2



**B** x3



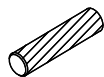
**C** x2



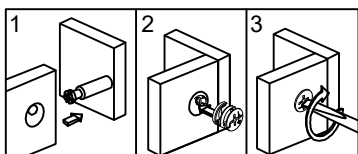
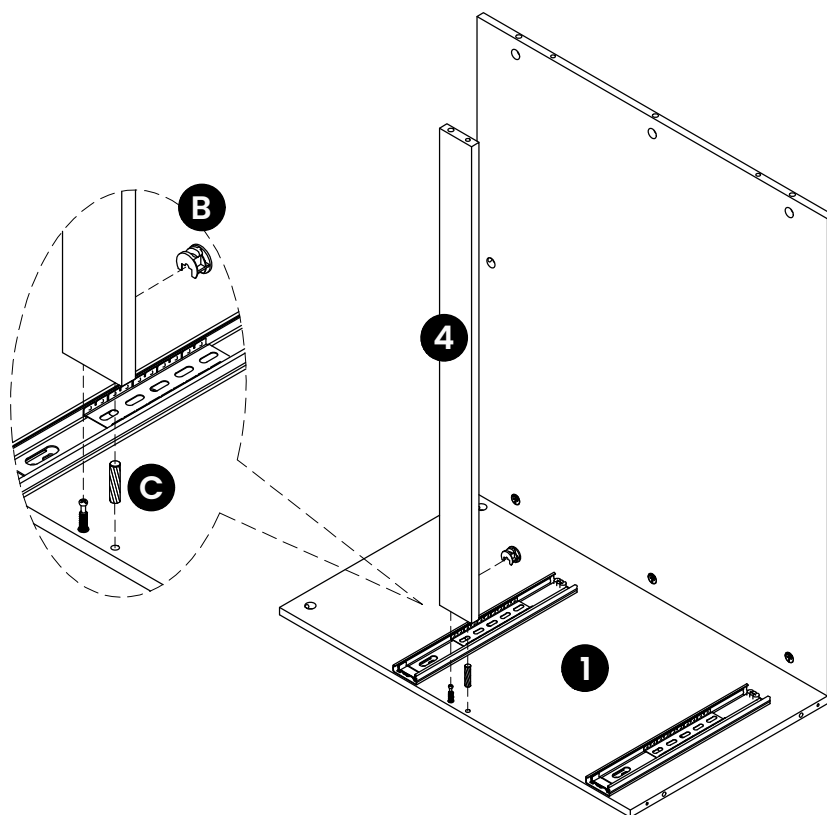
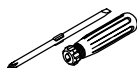
## STEP 3



**B** x1



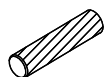
**C** x1



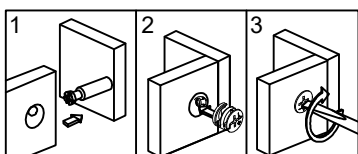
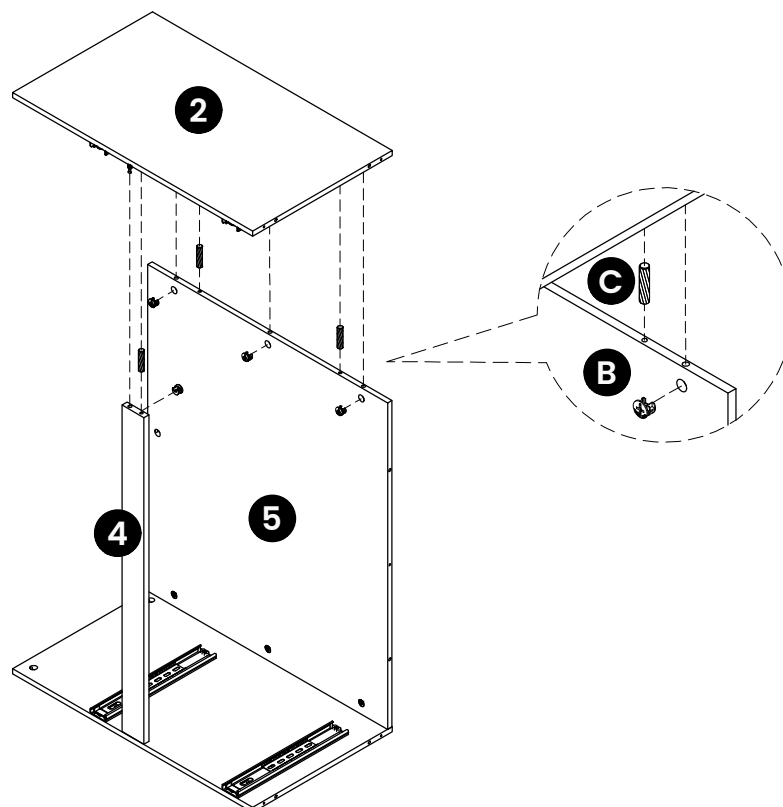
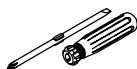
## STEP 4



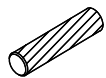
**B** x4



**C** x3



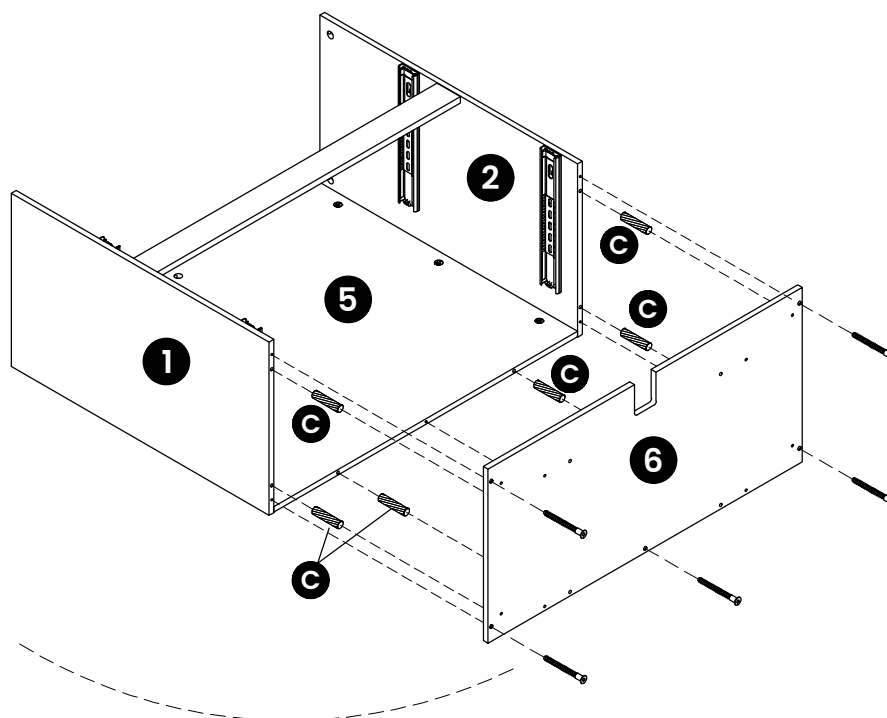
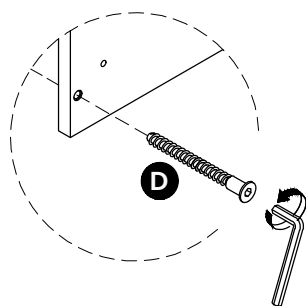
## STEP 5



**C** x6



**D** x5

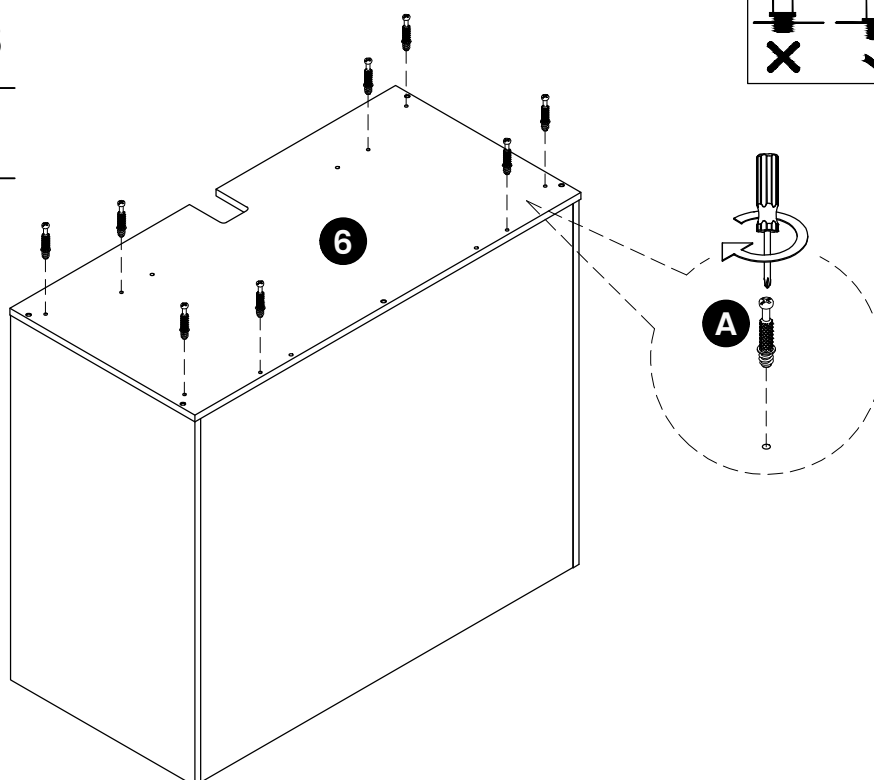
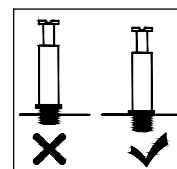
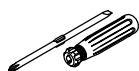


After finished:  
Turn over 90° to next step

## STEP 6



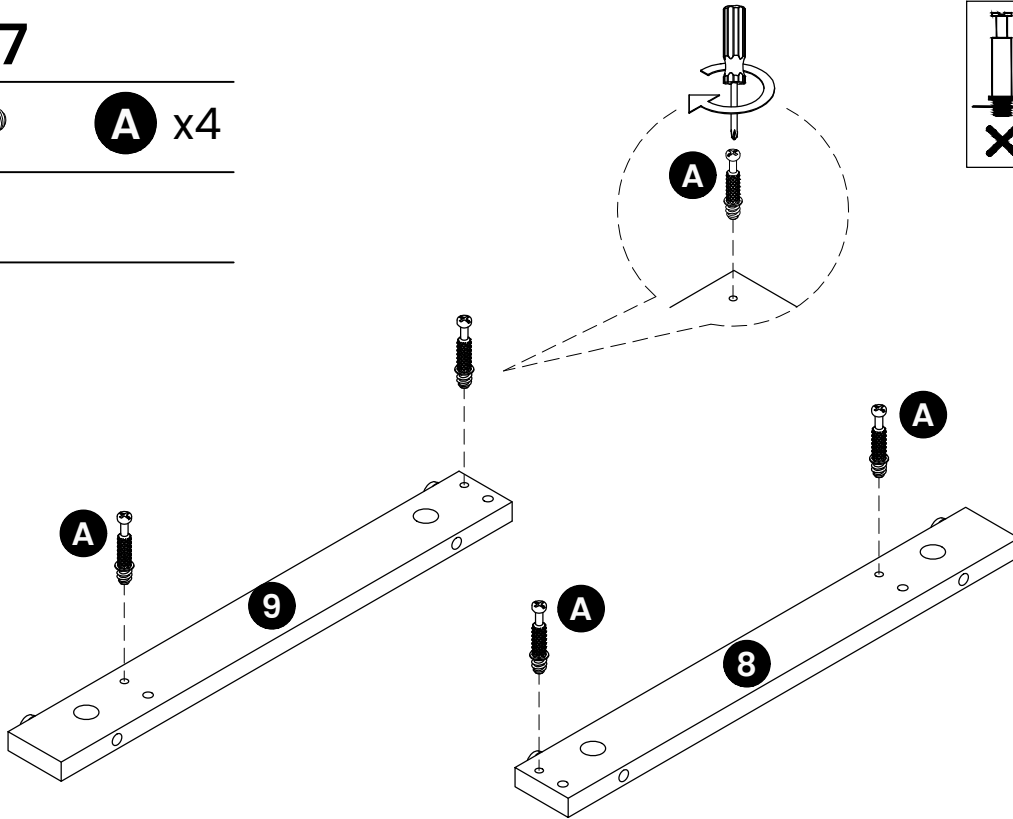
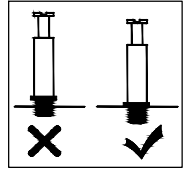
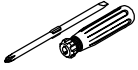
**A** x8



# STEP 7



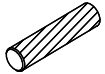
**A** x4



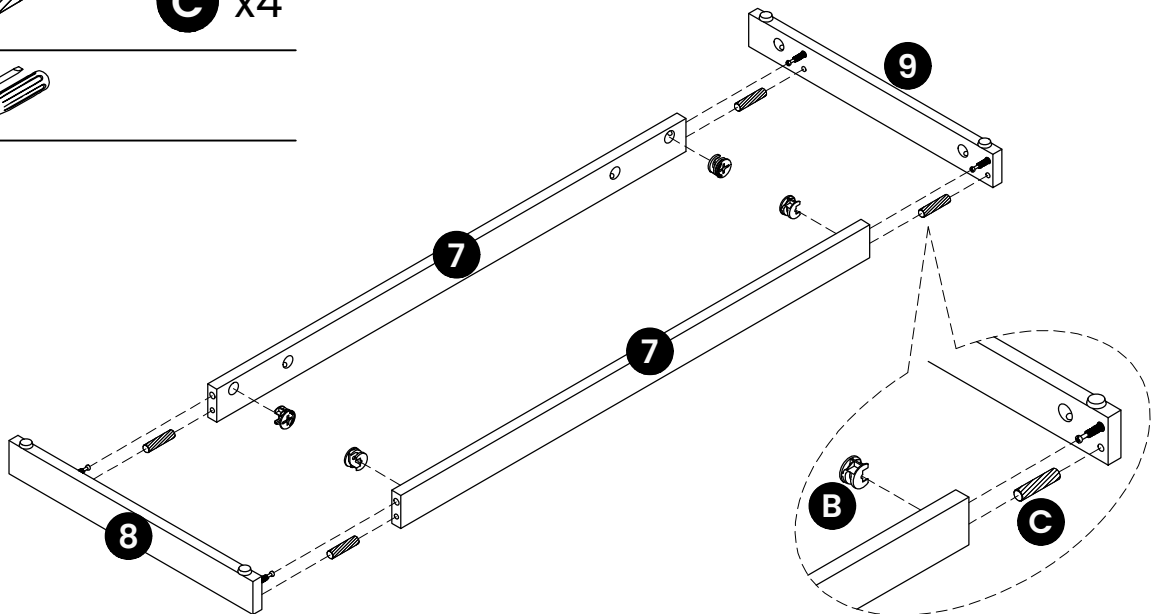
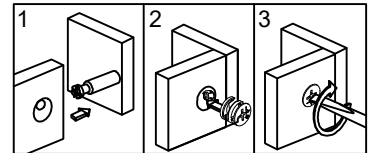
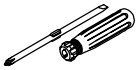
# STEP 8



**B** x4



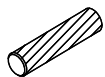
**C** x4



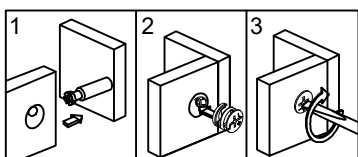
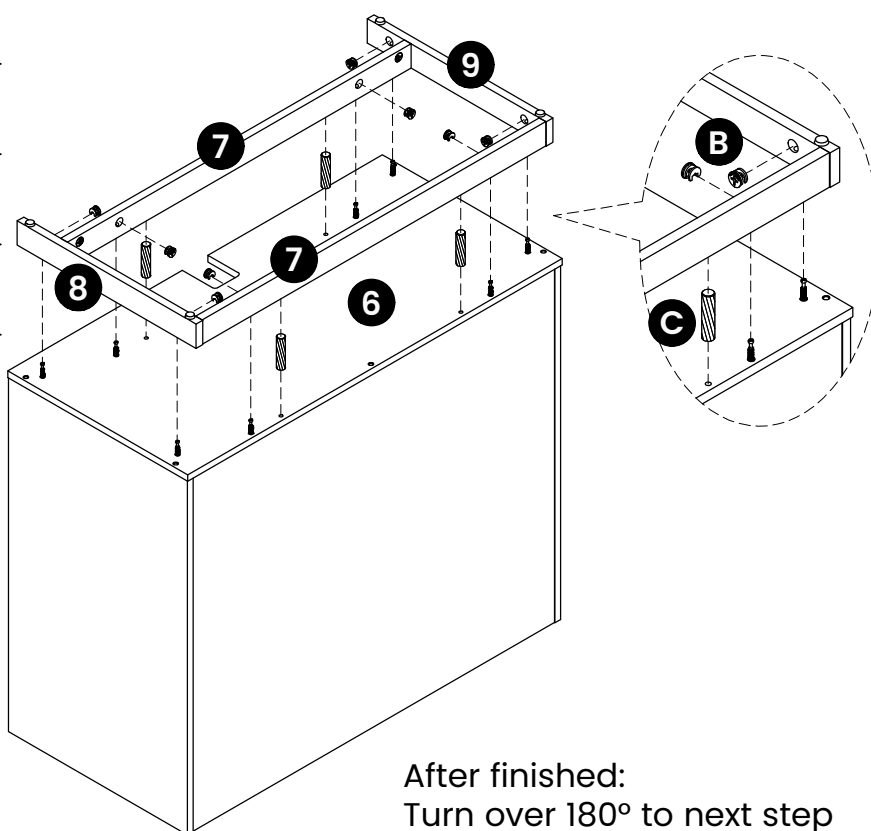
## STEP 9



**B** x8



**C** x4

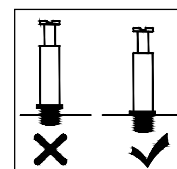
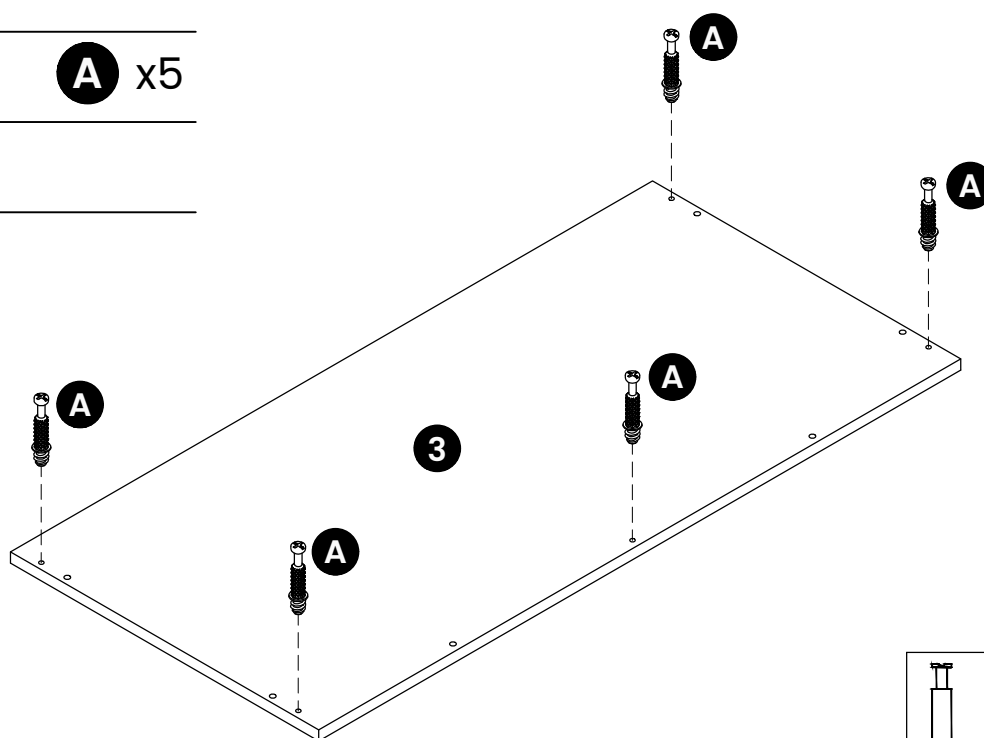
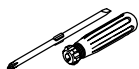


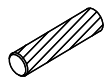
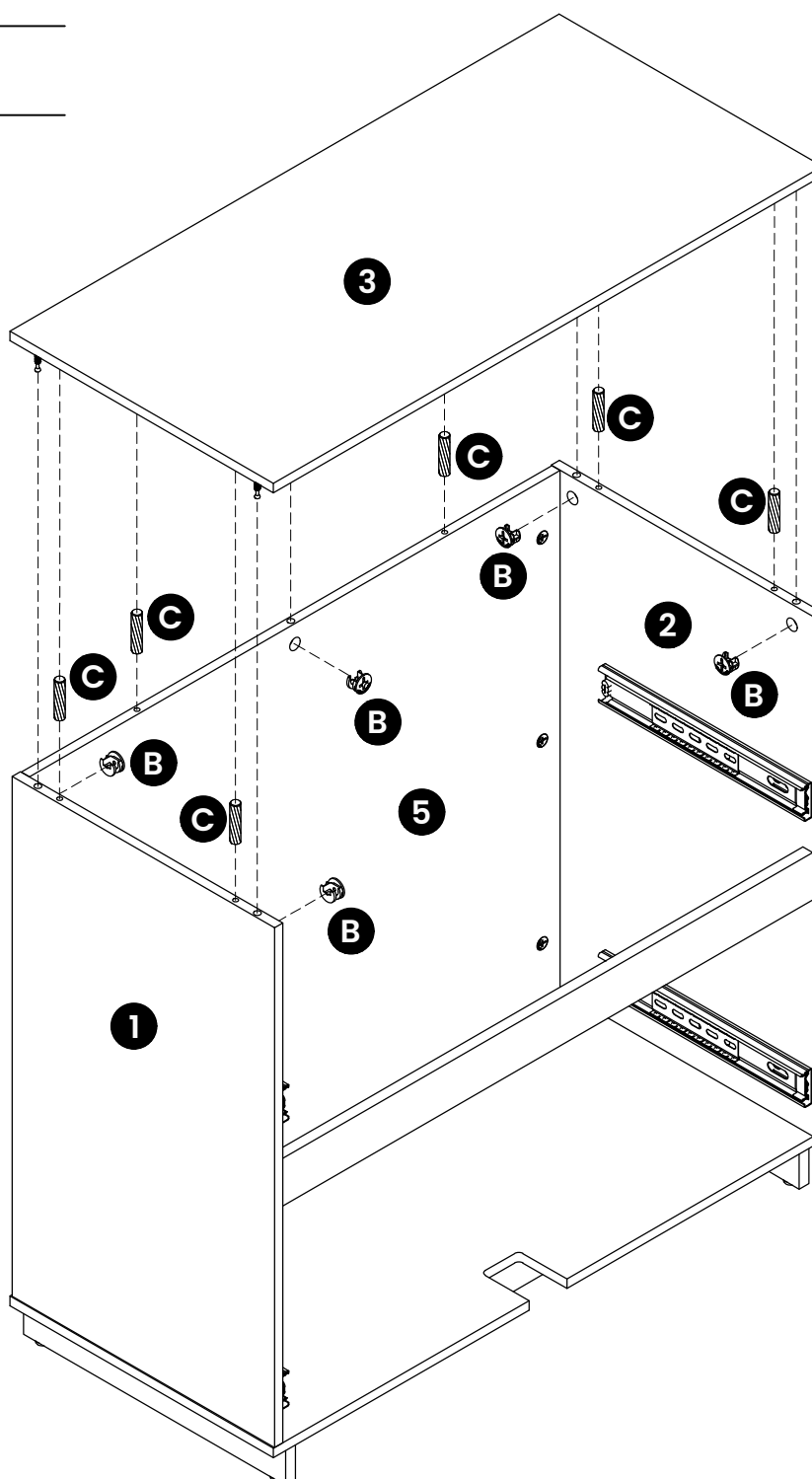
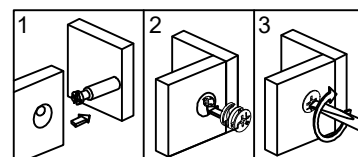
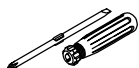
After finished:  
Turn over 180° to next step

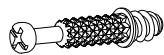
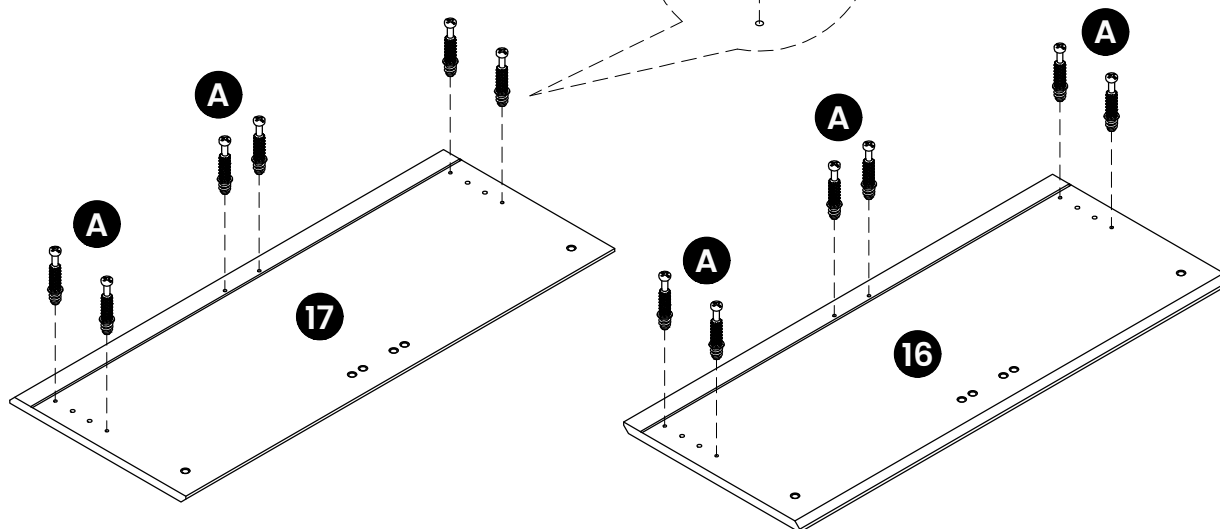
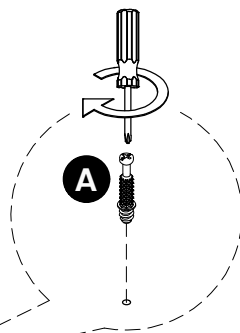
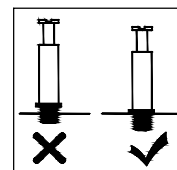
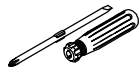
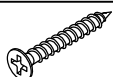
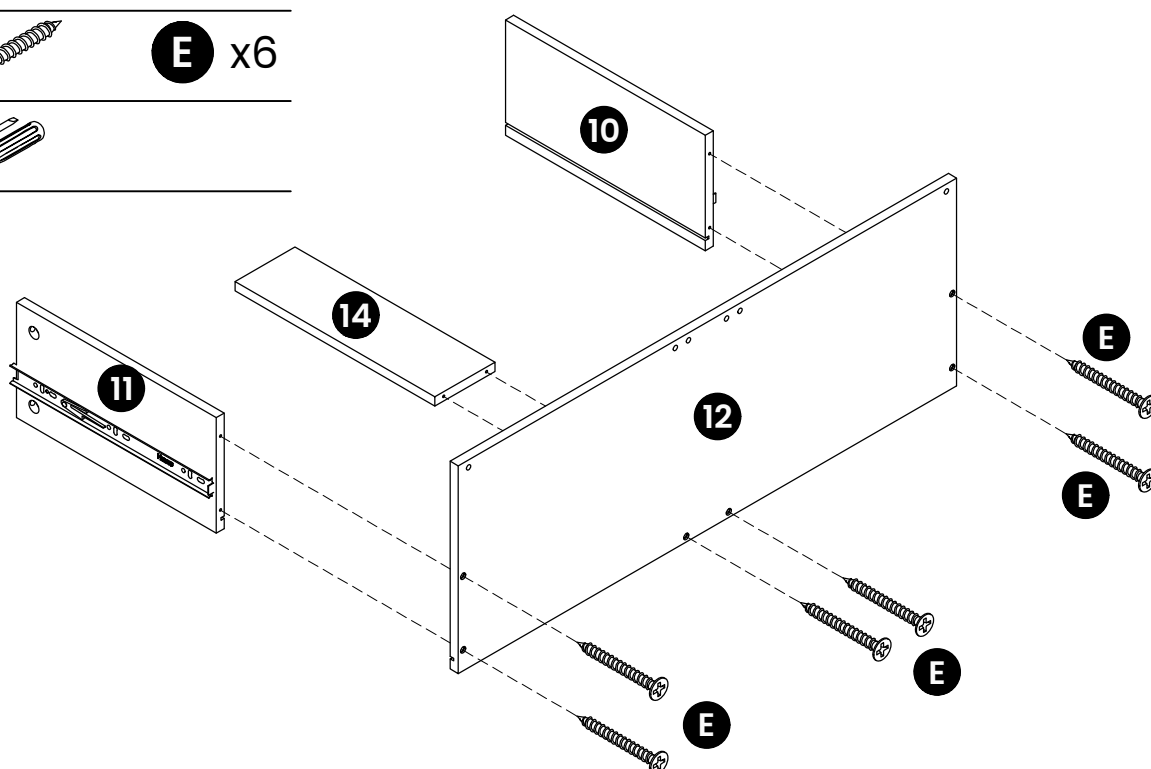
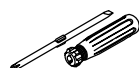
## STEP 10



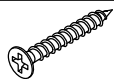
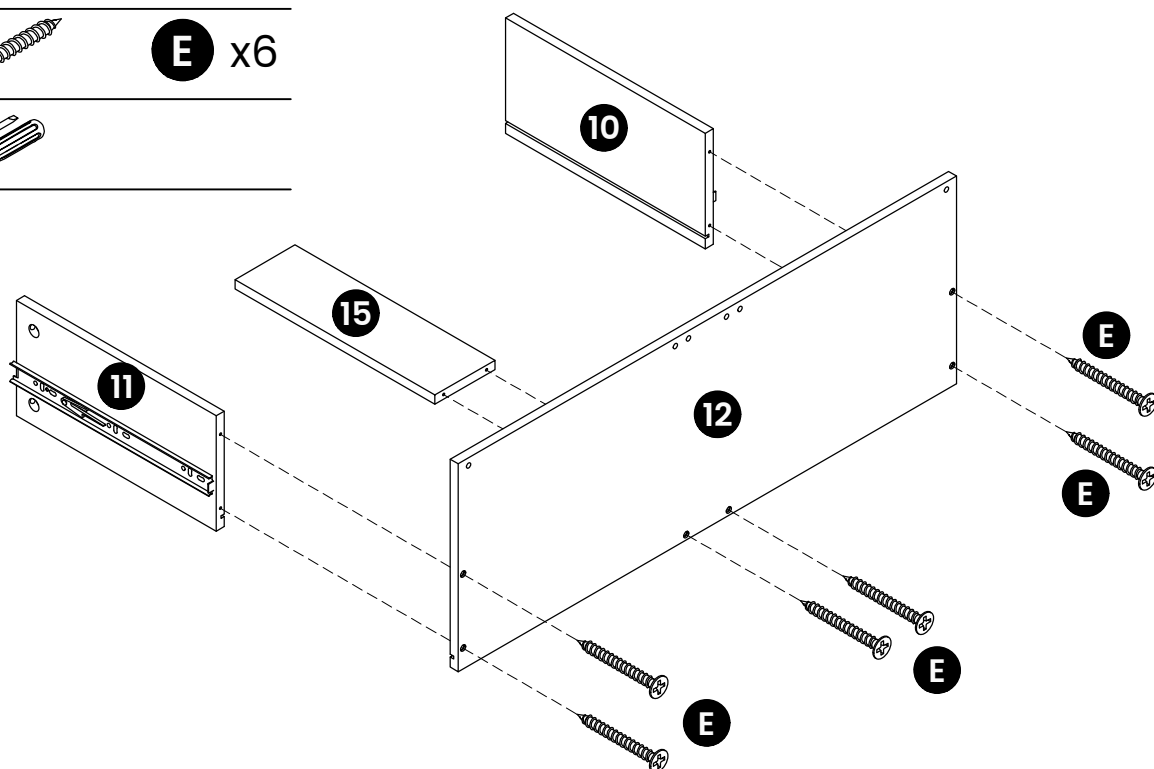
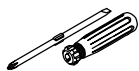
**A** x5



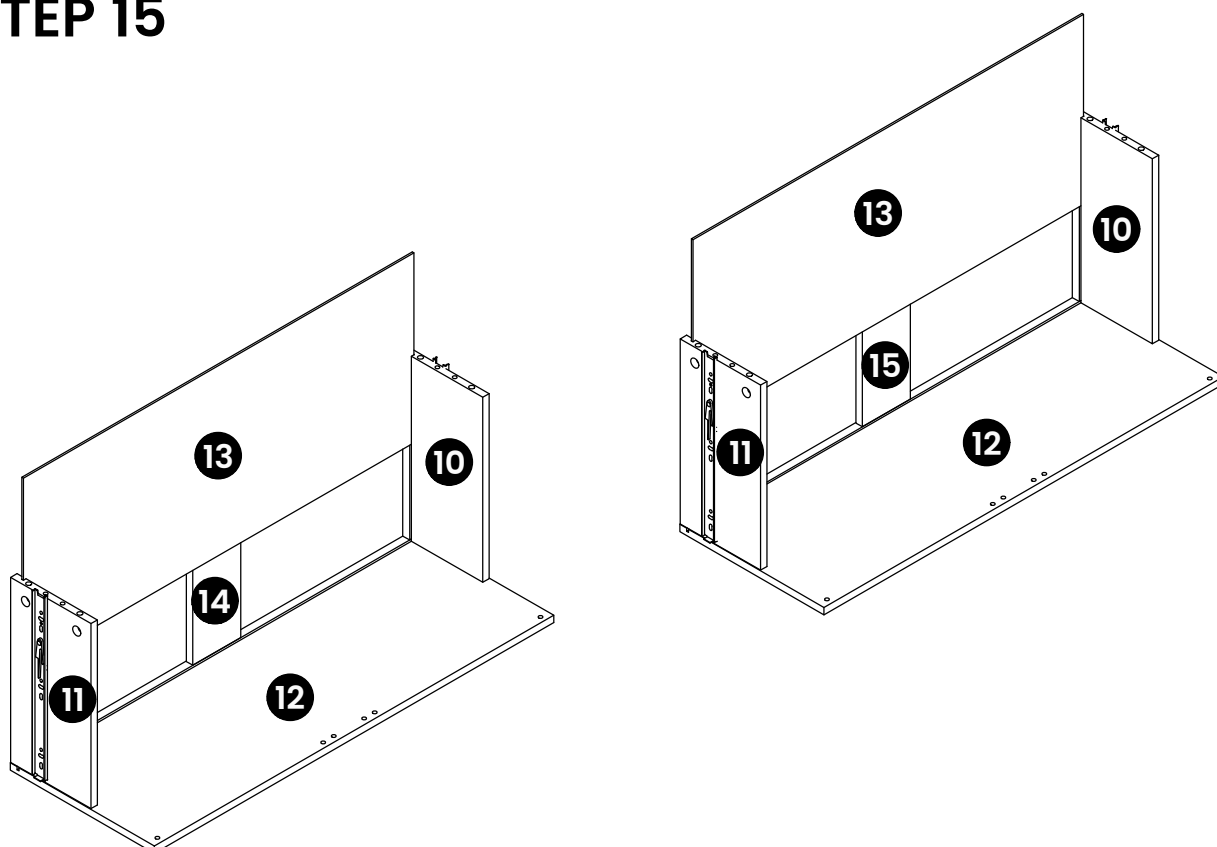
**STEP 11****B** x5**C** x6

**STEP 12****A** x12**STEP 13****E** x6

## STEP 14

**E** x6

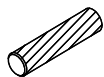
## STEP 15



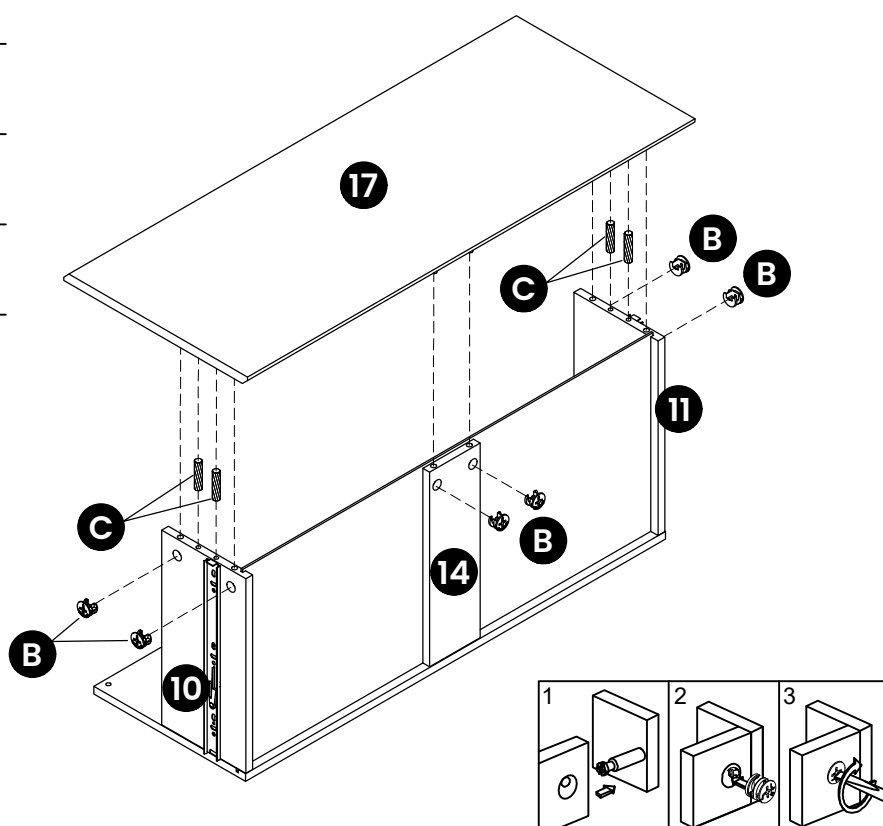
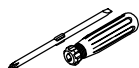
## STEP 16



**B** x6



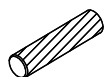
**C** x4



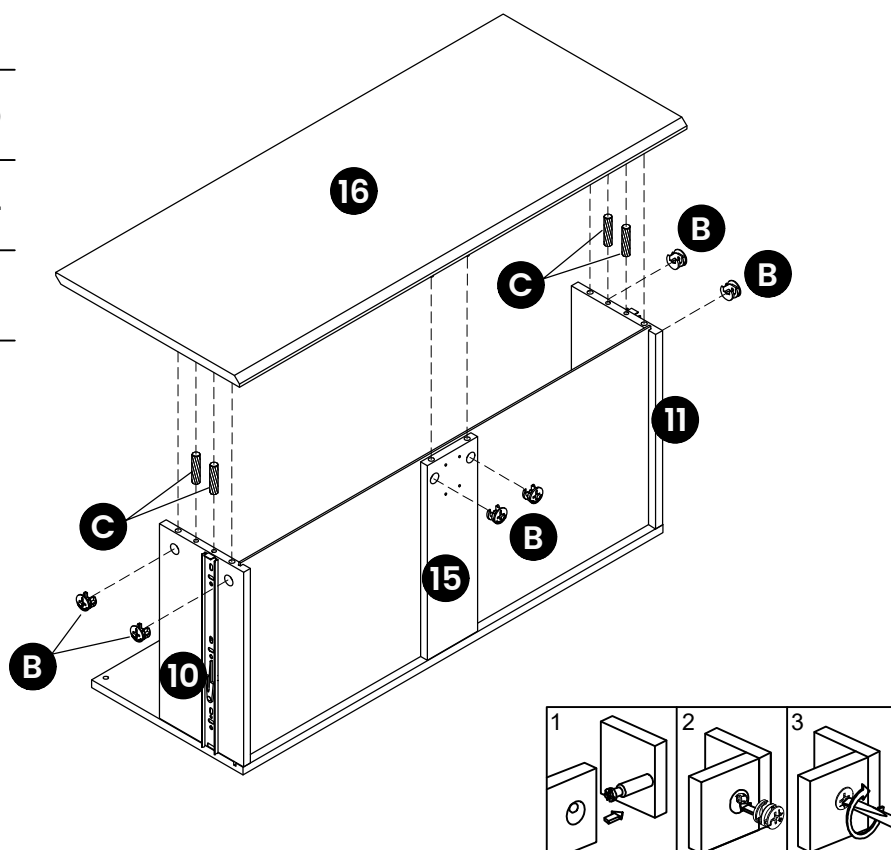
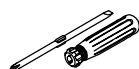
## STEP 17

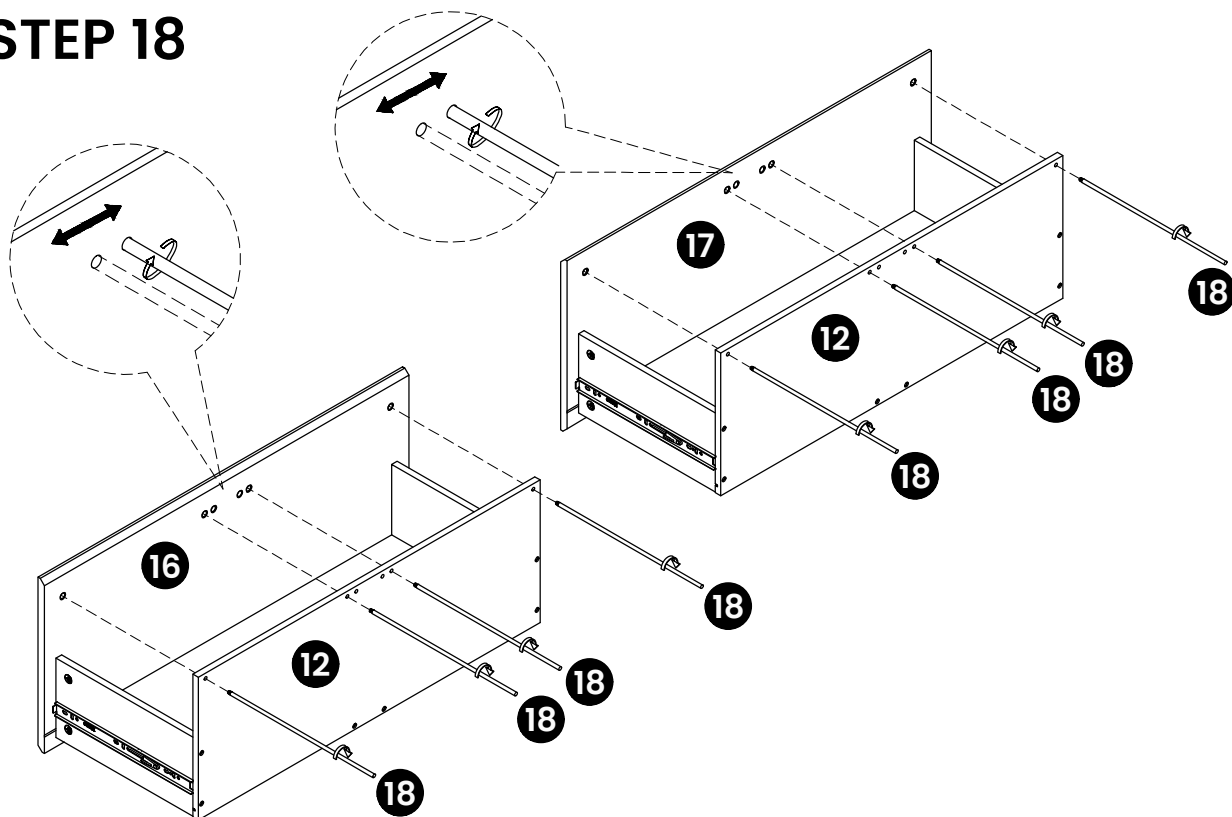
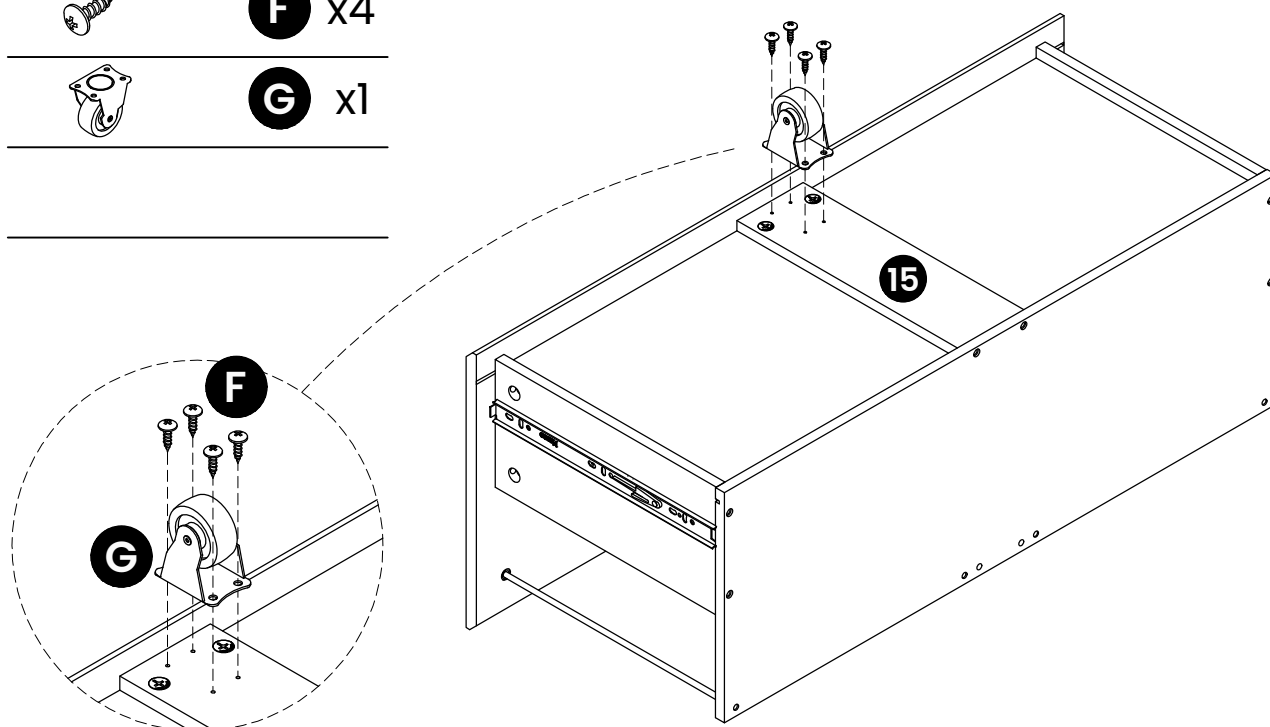


**B** x6

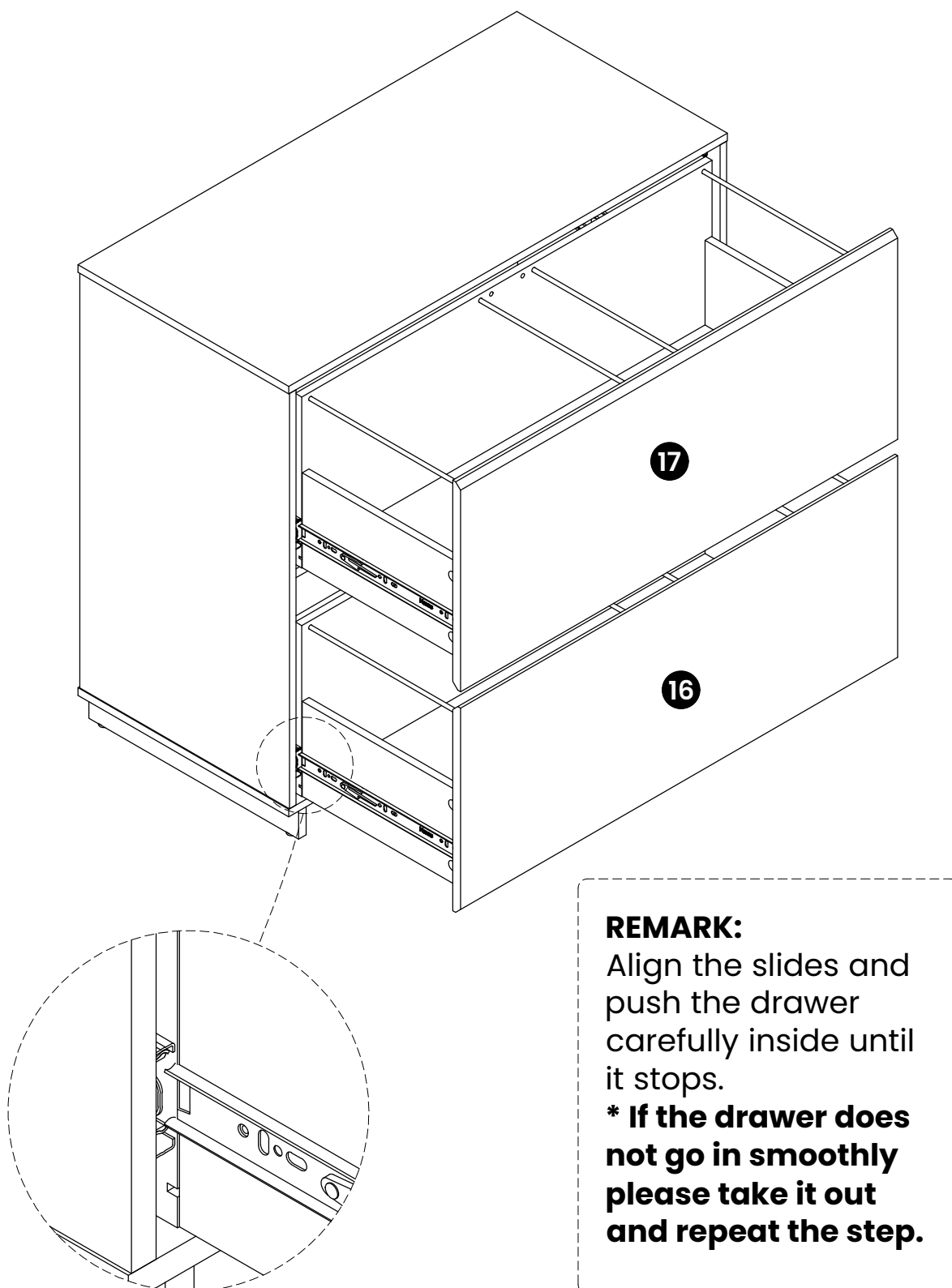


**C** x4

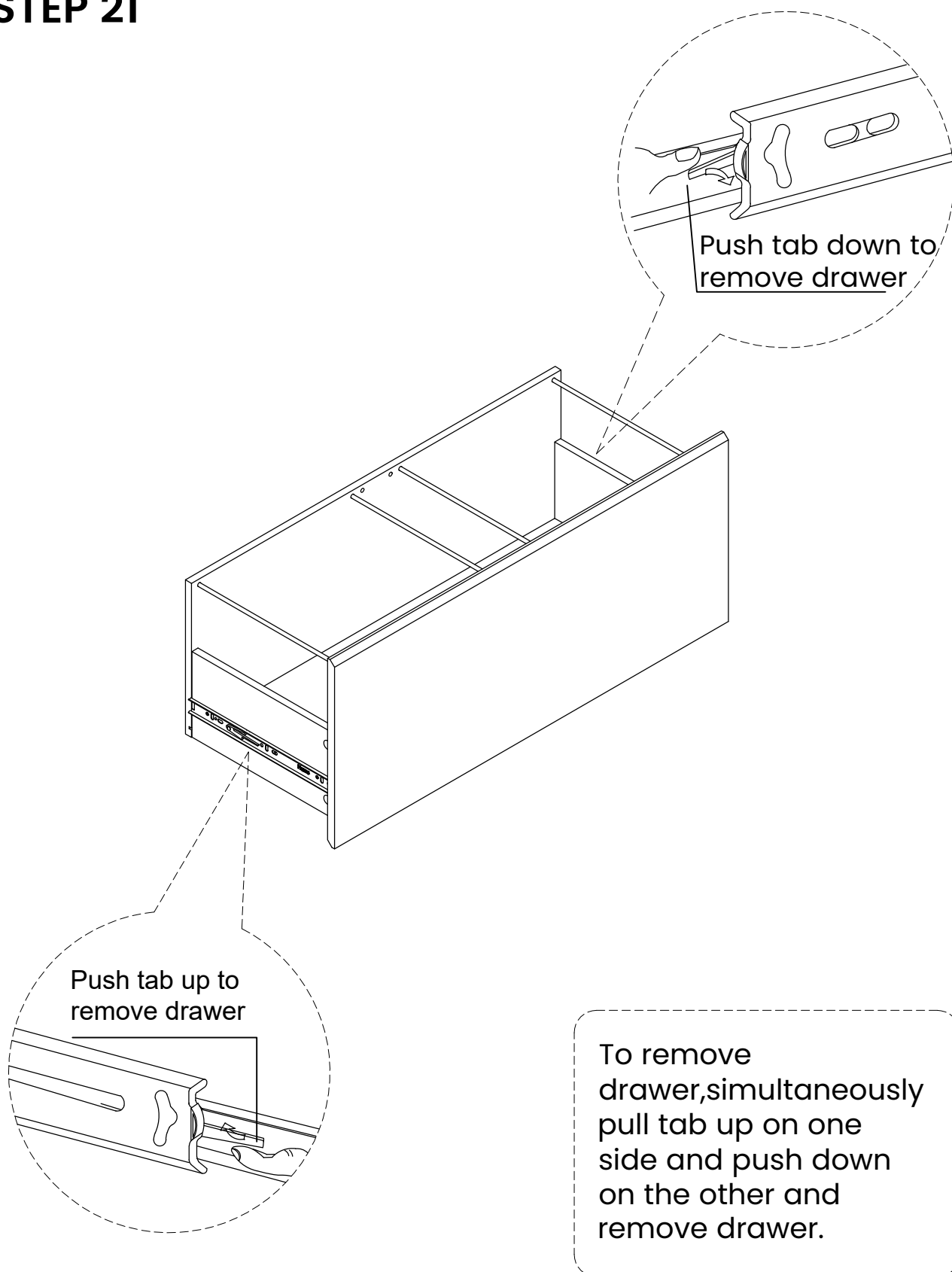


**STEP 18****STEP 19****F** x4**G** x1

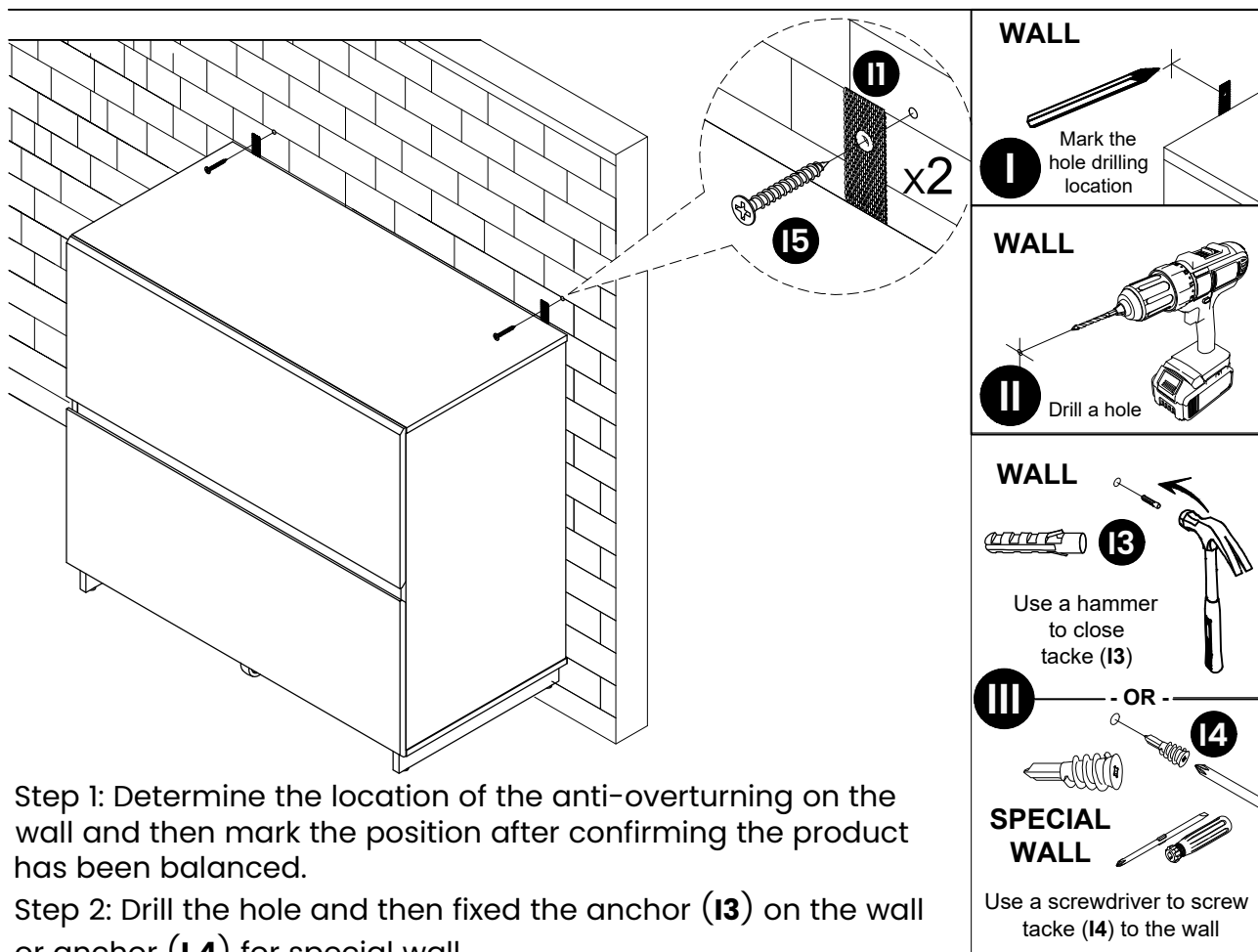
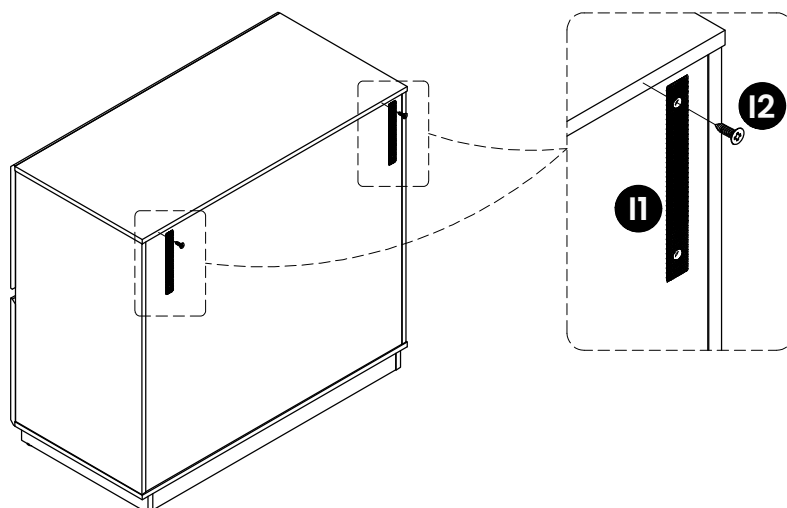
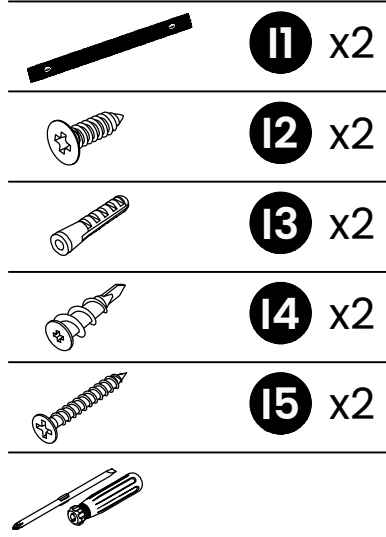
## STEP 20



## STEP 21



## STEP 22



Step 1: Determine the location of the anti-overturning on the wall and then mark the position after confirming the product has been balanced.

Step 2: Drill the hole and then fixed the anchor (13) on the wall or anchor (14) for special wall.

Step 3: Use screw (15) to fix the strap (11) on the **wall** or **special wall**