

PARLOS®

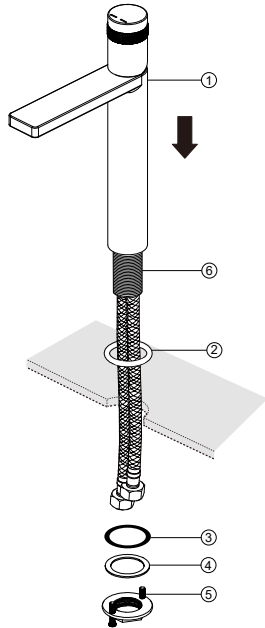
Installation Guide

BEFORE INSTALLATION

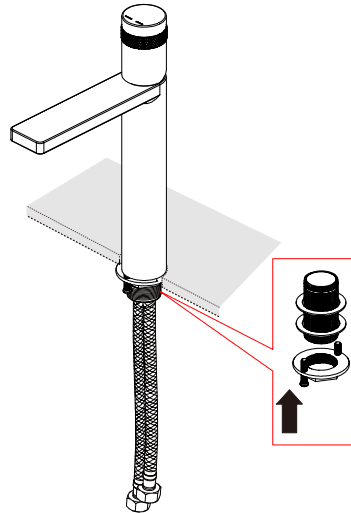
- To insure proper installation, please read the following instructions carefully.
- Please make sure that the water supply has been shut off at the stop valve.
- PARLOS® reserves the right to update product without notice.

If you have any question or need help,
please visit **PARLOS®** website
<http://www.parlos.com>

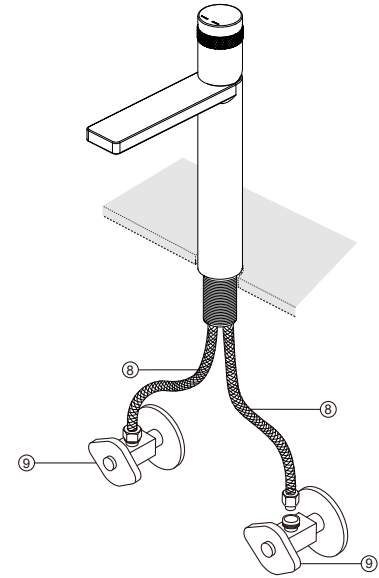
Single Hole Application



1. Install Gasket ② onto Faucet Body ①.
Slide single hole faucet through the mounting hole.



2. Place Stainless Steel Washer ④ and Rubber Washer ⑤ onto Mounting Studs ⑥ under the sink, and tighten the Mounting Nuts ⑤ securely as shown.



3. Connect and screw on the Supply Hoses ⑧ to Valves ⑨.
4. Turn on faucet to check for leaks.

· Every once in a while, please rinse the faucet with lukewarm soapwater, and wipe it clean with a soft duster cloth.
Please avoid any abrasive cleaners, steel wools, or corrosive chemicals.