








Installation Instructions

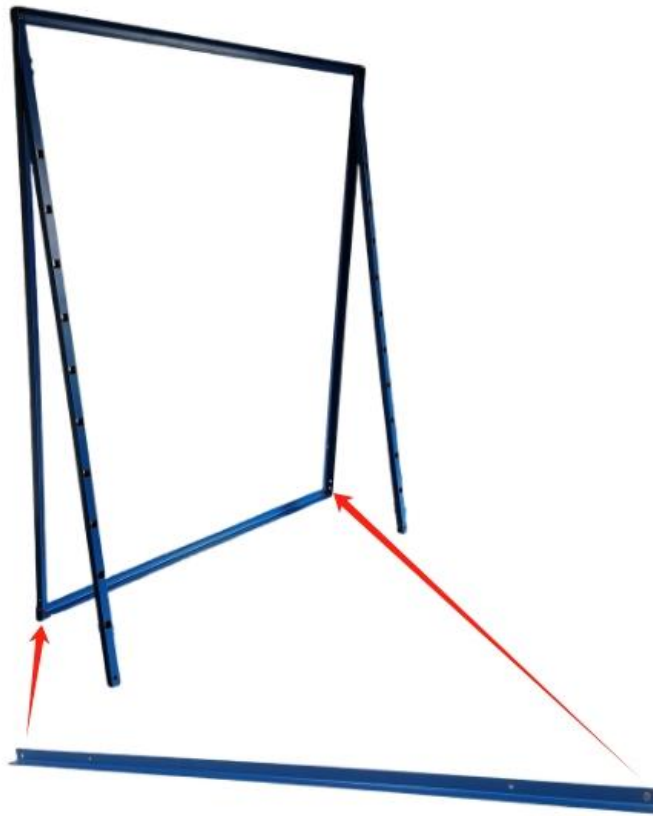
	M8 X30		M8-40 X10
	M8-30 X8		M8-20 X12
	M8 X1		M8 X1
	M4-30 X16		



Step1: As shown in the figure, lock the two brackets together



Step2: Connect the top crossbar to the main brackets on both sides and securely lock it in place



Step3: Connect the bottom crossbar to the bracket and lock it securely



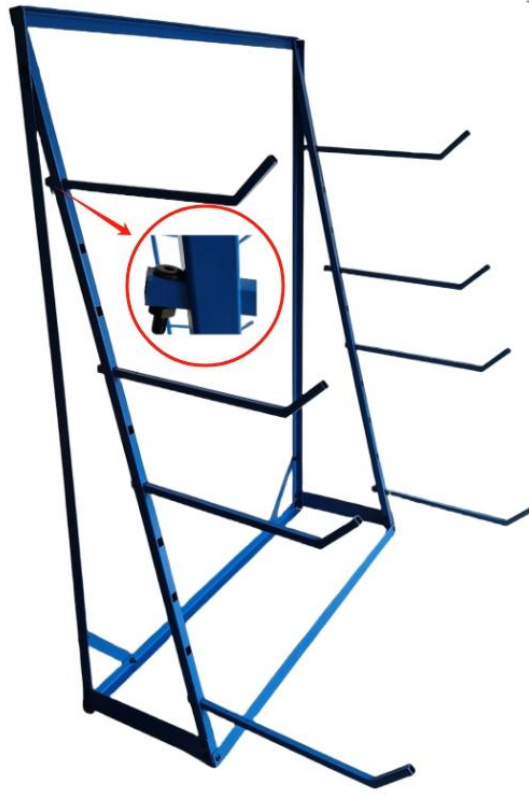
Step4: As shown in the figure, lock the two iron plates onto the bracket to make it more secure



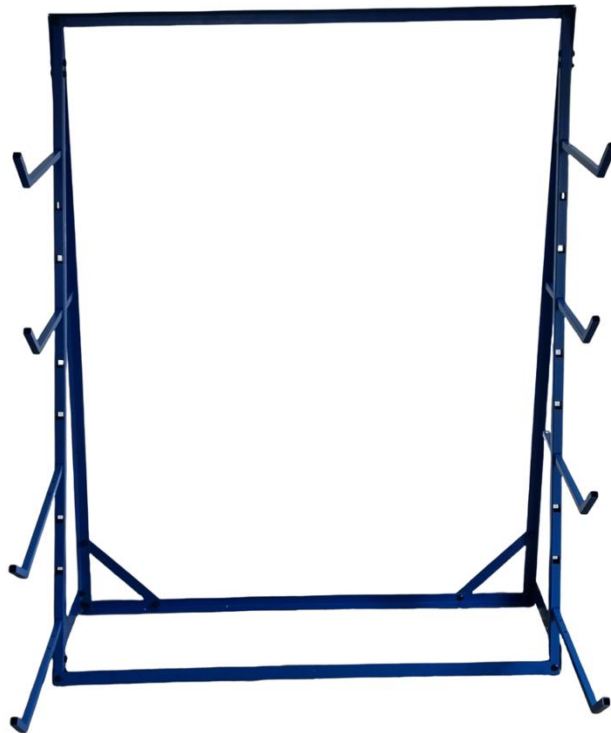
Step5: As shown in the picture, lock this short board on both sides of the bracket



Step6: Lock the long iron plate in front of the bracket



Step7: Insert 8 brackets into the diagonal rod and lock the screws onto the 8 brackets



Step8: Installation is complete