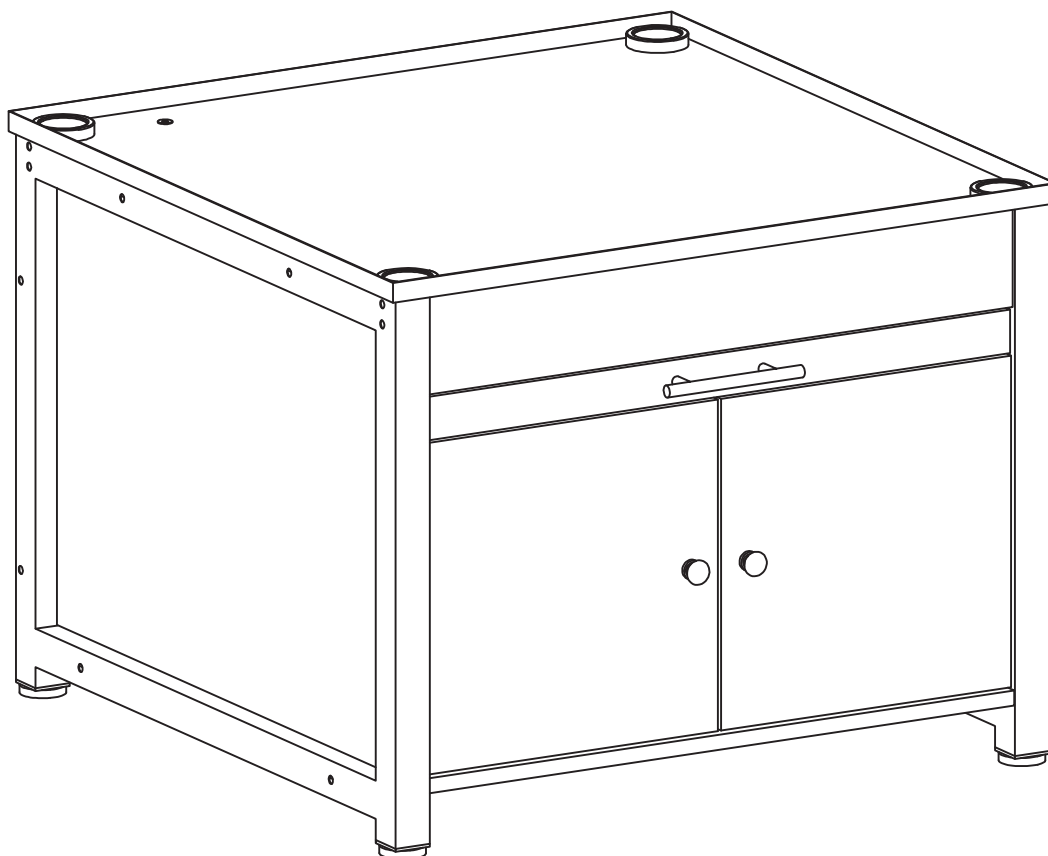


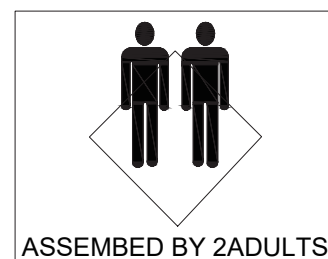
 **GOOD LIFE**

Assembly Instructions

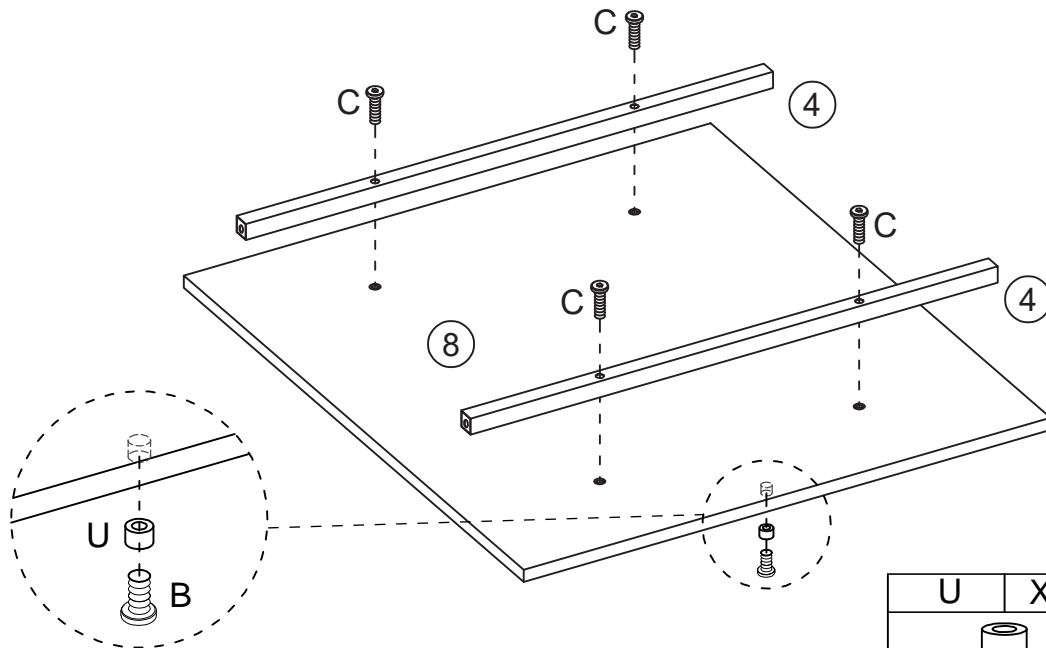
HOU 801



We come with the necessary tools for assembly
but for faster assembly, a power drill is recommended



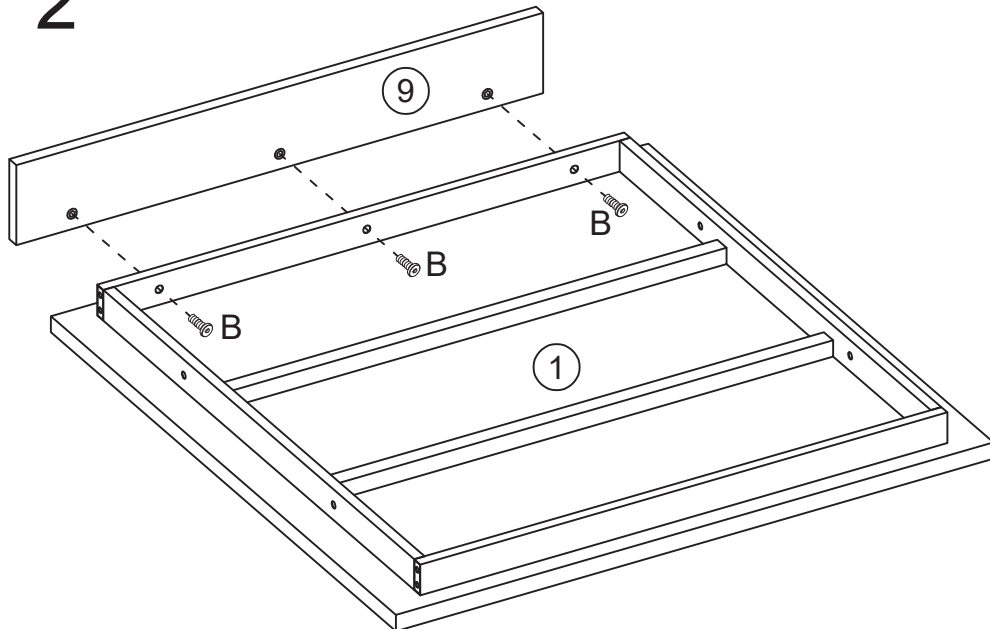
STEP 1



Install Rail Part#4*2 to board Part #8 with screw C*4 as shown.
 Install Door stop U to the bottom with screw B*1 as shown.

U	X1	B	X1
		M6x22mm	
W	X1	C	X4
		M6x30mm	

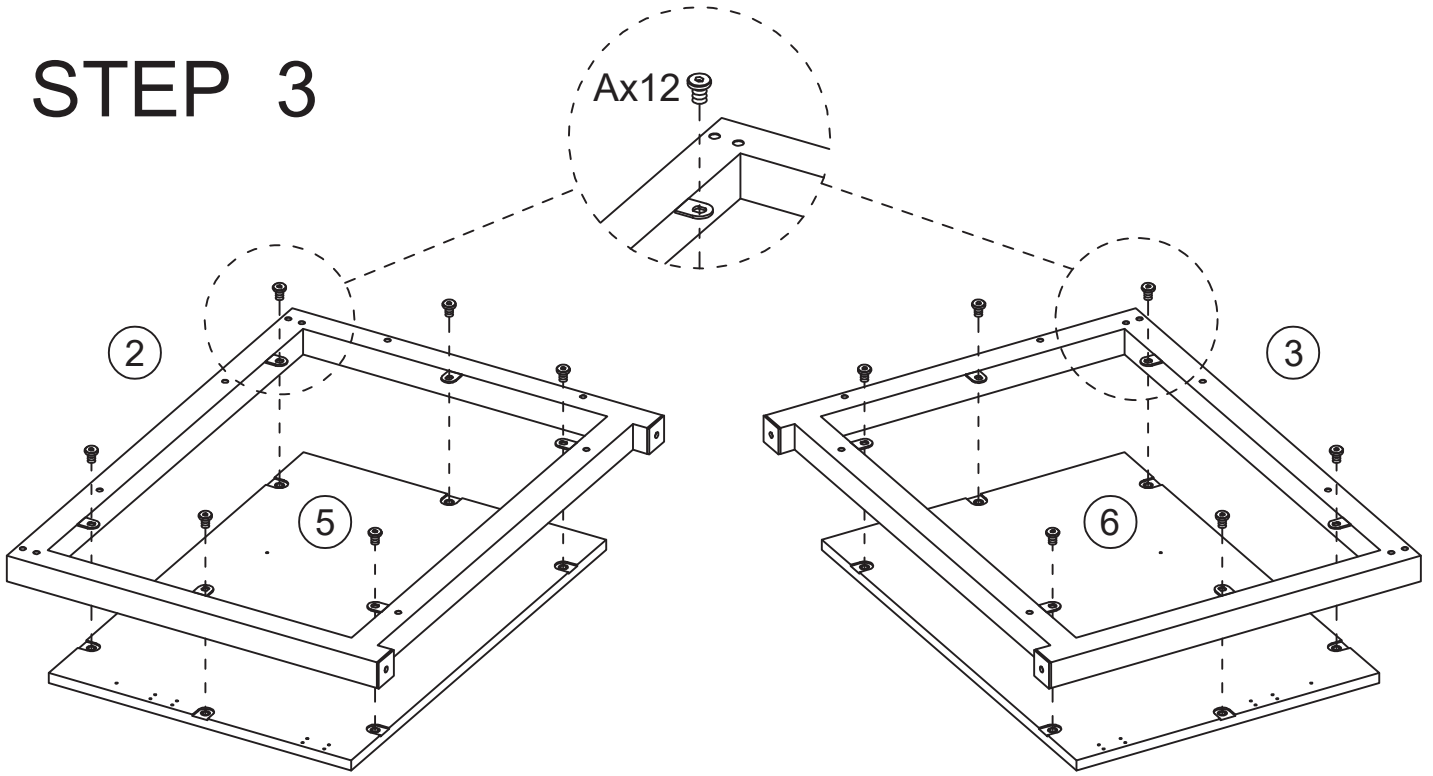
STEP 2



Install board Part#9 to Part #1 with screw B*3 as shown.

W	X1	B	X3
		M6x22mm	

STEP 3



Ax12

2

5

3

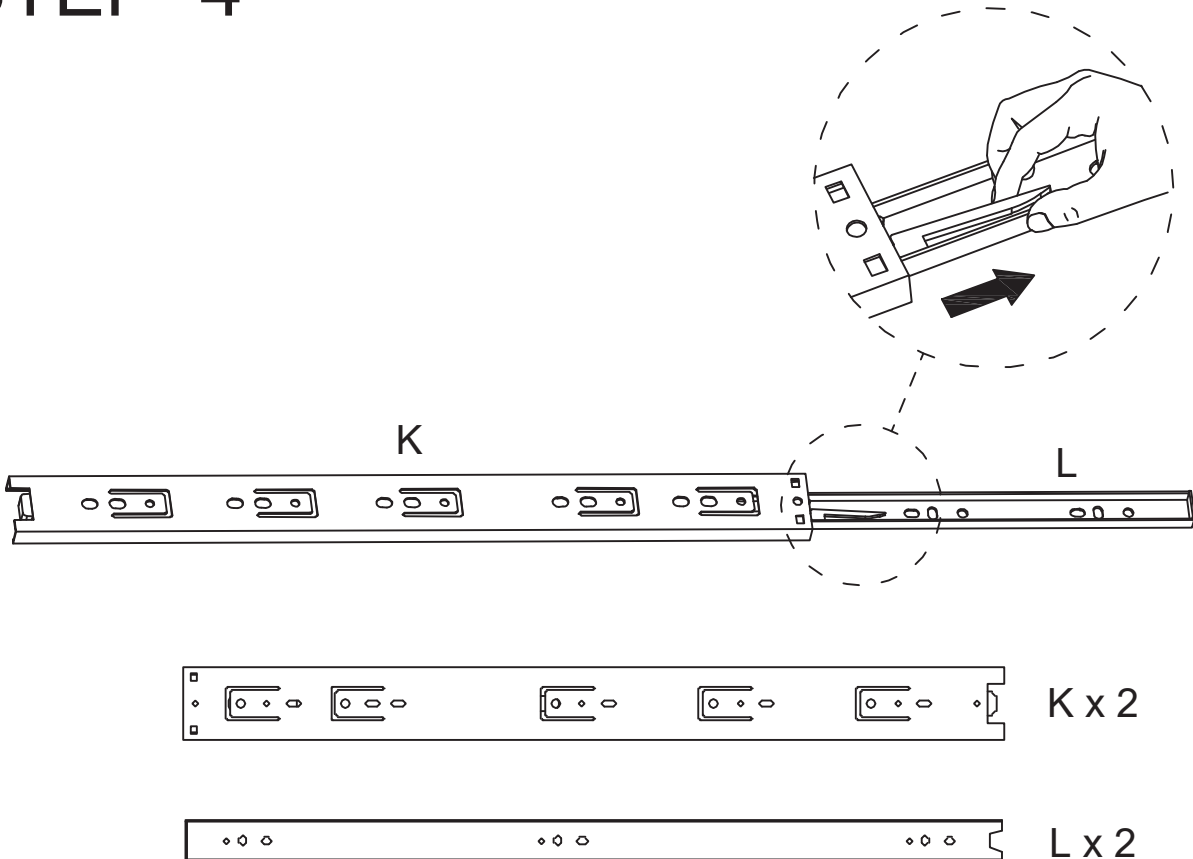
6

Install Part#2 to board Part #5 with screw A*6 as shown.
Install Part#3 to board Part #6 with screw A*6 as shown.

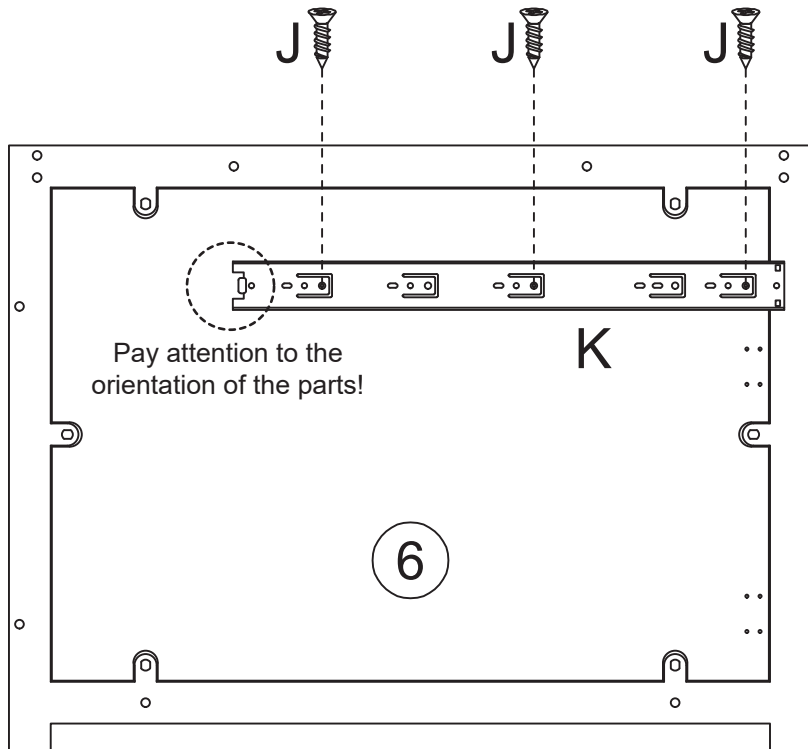
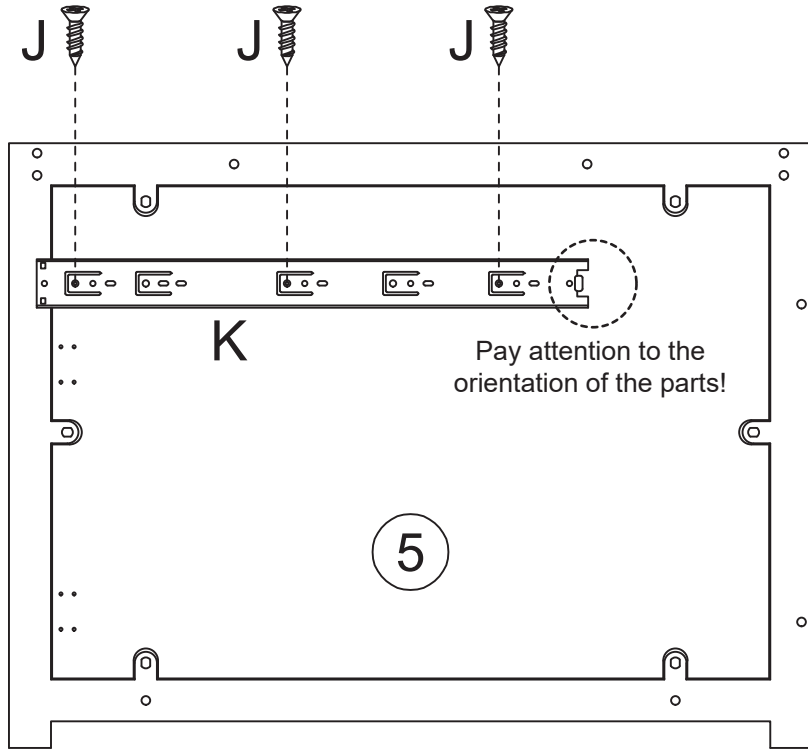
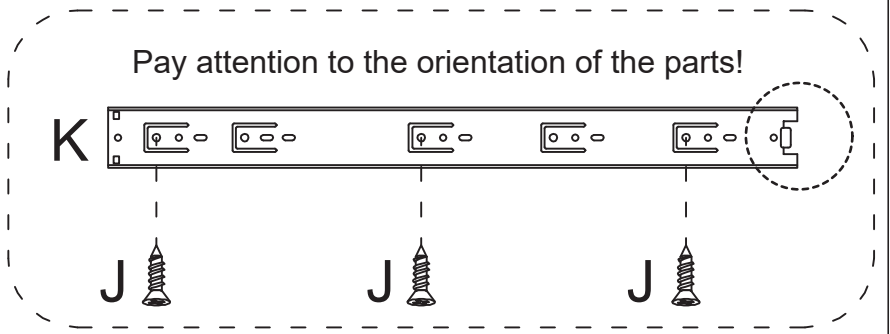
W	X1	A	X12
		M6x10mm	

STEP 4

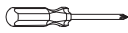


Separate Slide Rail set as K and L as shown for further use.



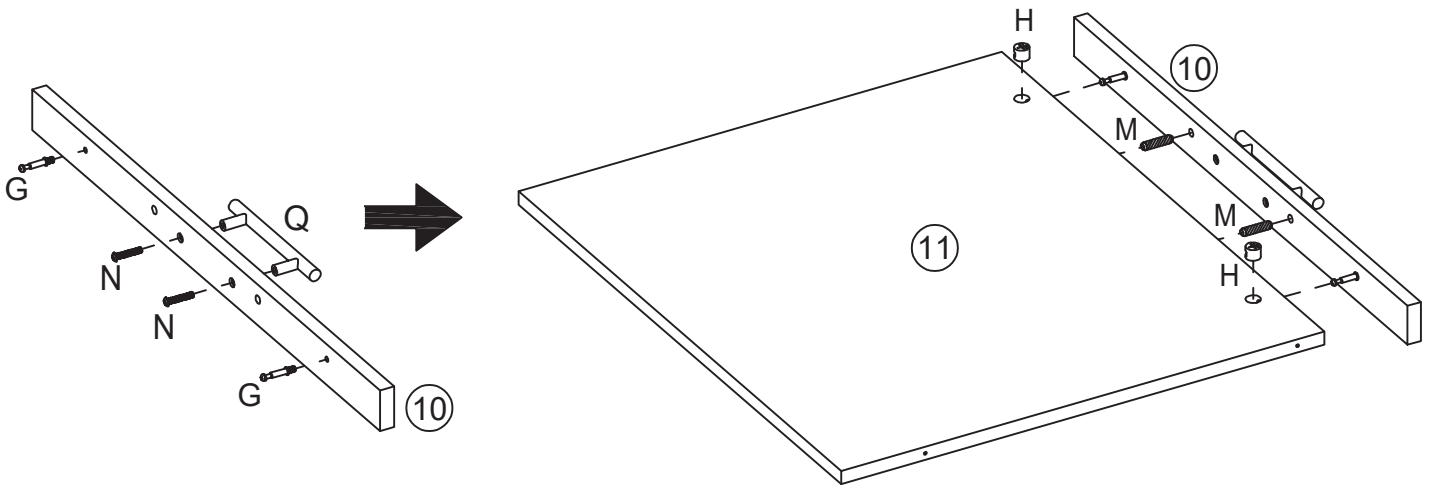
STEP 5



Install Slide Rail Part#K*2 to Part#5 and Part#6 as shown with screws J*6.

V	X1	K	X2	J	X6
					
		L500		3.5x14mm	

STEP 6



Install Handle Part Q to Part#10 with screws N*2 as shown.

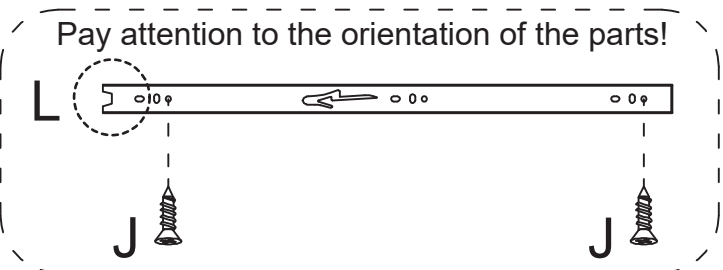
Install Cam Screws G*2 to Part#10 as shown.

Put Dowel M*2 into Part#10, put connector nuts H*2 into Part#11.

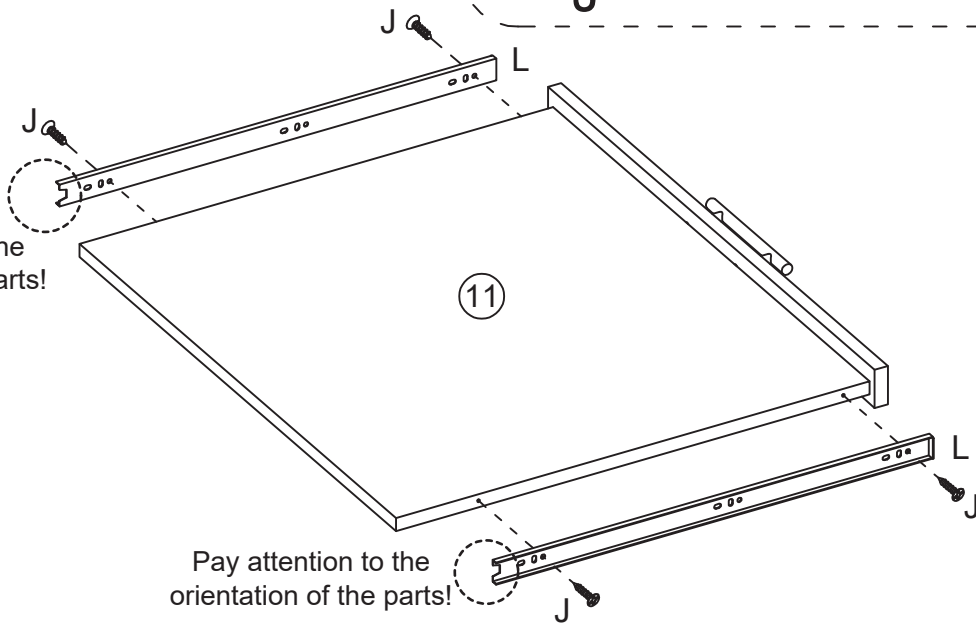
Then connect Part#10 and Part#11 and tighten connector nuts H*2.

Q	X1	G	X2	H	X2	M	X2	N	X2
		6x35mm		15x12mm		8x30mm		M4x18mm	

STEP 7



Pay attention to the orientation of the parts!

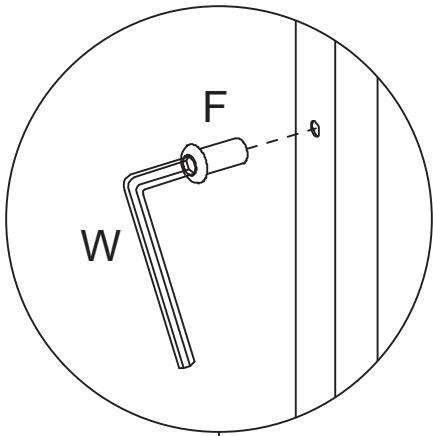


Pay attention to the orientation of the parts!

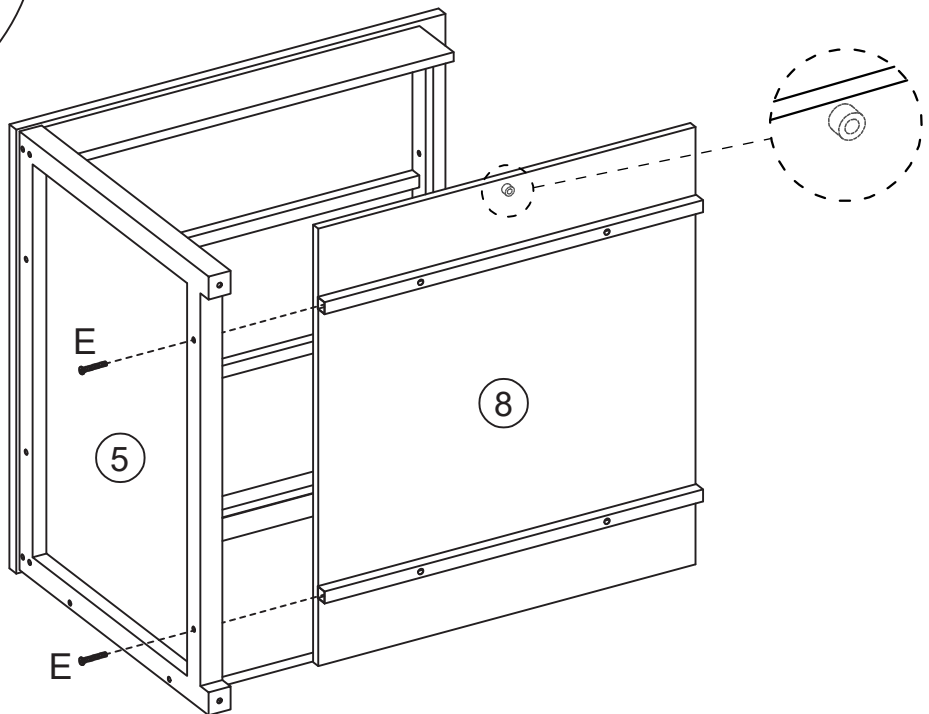
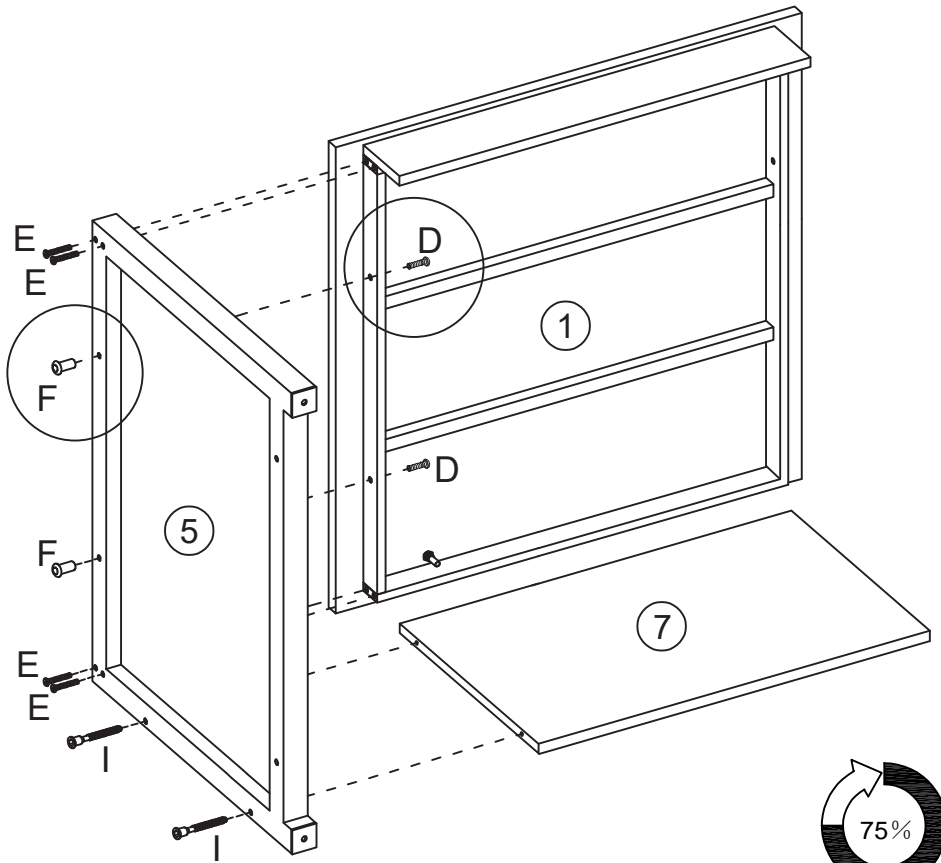
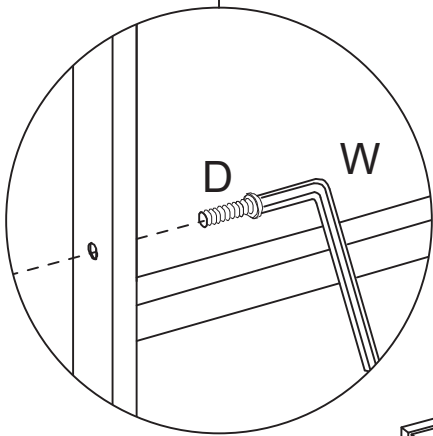
Install Rail Part#L*2 to board Part #11 with screw J*4 as shown.

V	X1	J	X4	L	X2
		3.5x14mm		L500	

STEP 8



Screws D and F are used together

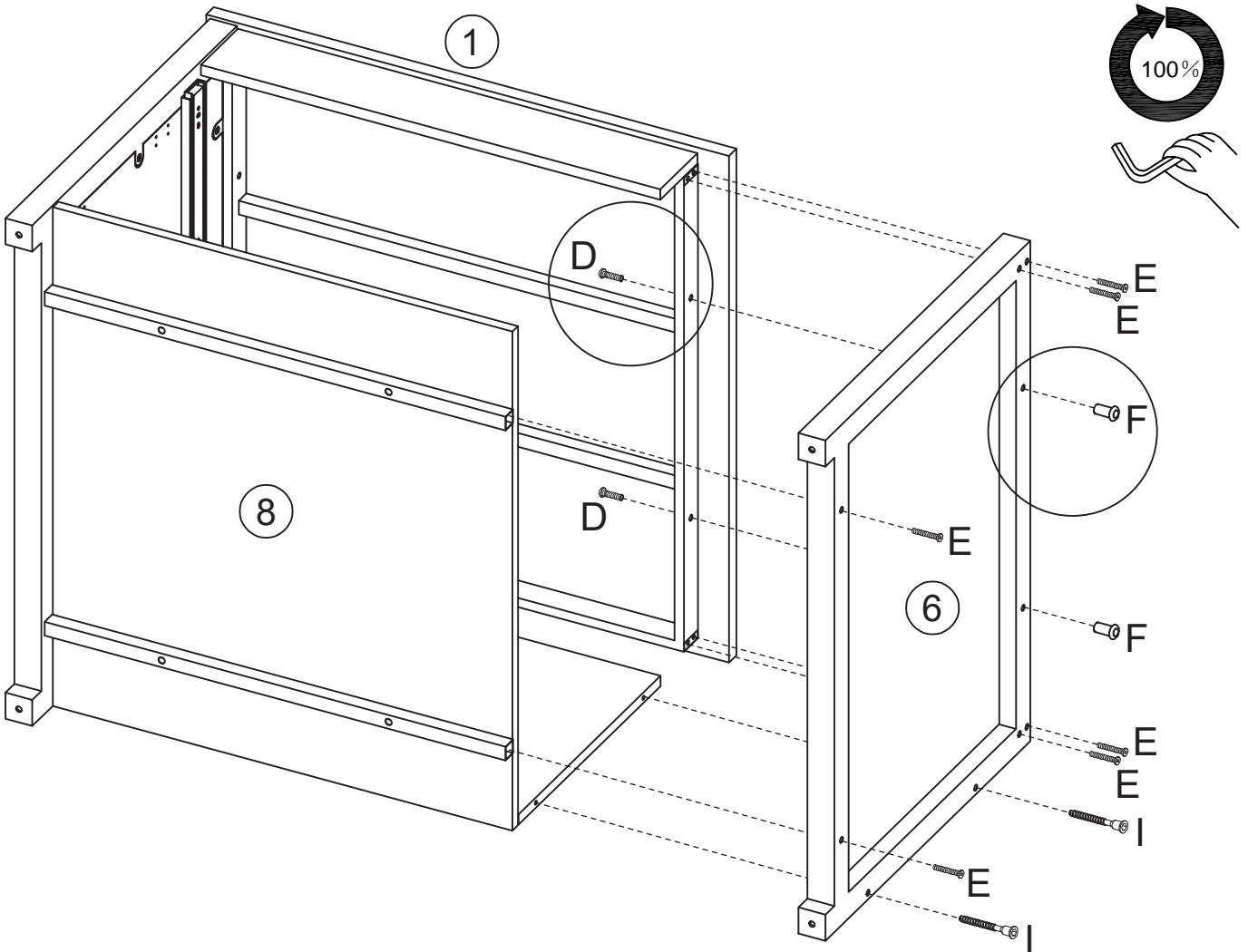
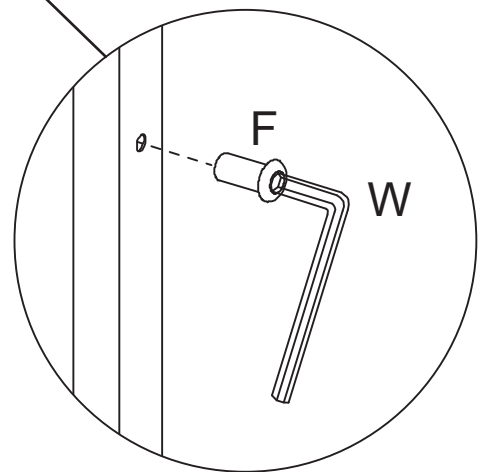
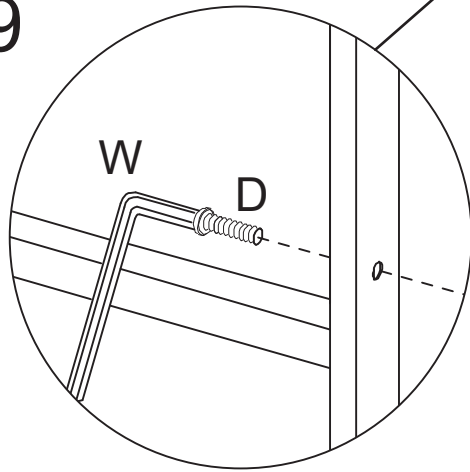


Attach Part#1 and Part#7 to Part#5 with screws E*4,I*2,D&F*2 as shown.
 Attach Part#8 to the assembled unit with screws E*2 as shown.

W	X2	E	X6	I	X2	F	X2	D	X2
		M6x60mm		7x70mm		M6x17mm		M6x40mm	

STEP 9

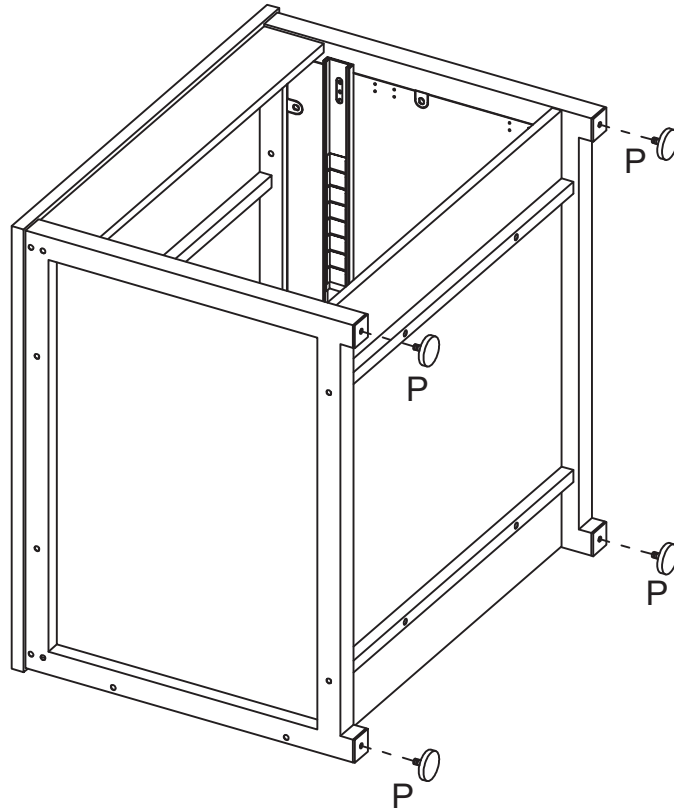
Screws D and F are used together




Attach Part#6 to the assembled unit from step 8 with screws E*6,I*2, D&F*2 as shown.

W	X2	E	X6	I	X2	F	X2	D	X2
		M6x60mm		7x70mm		M6x17mm		M6x40mm	

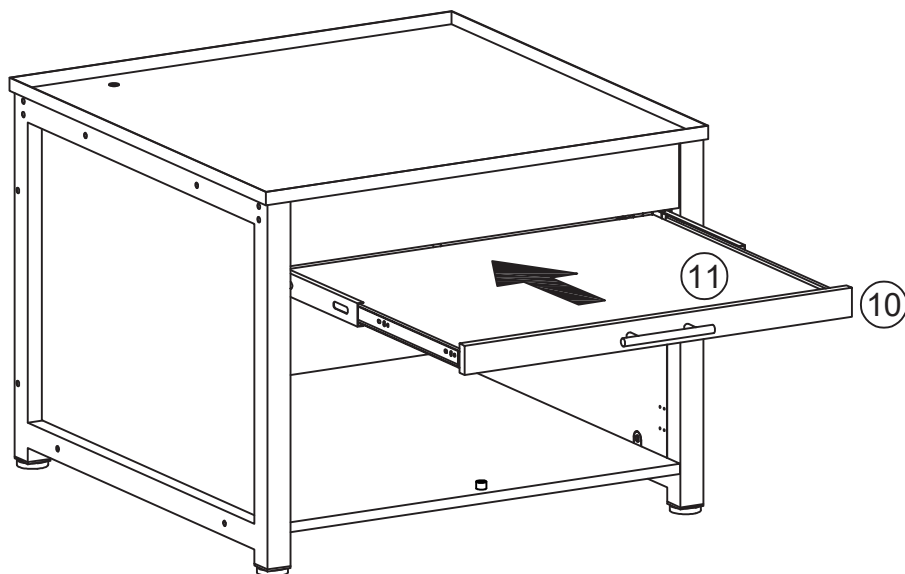
STEP 10



Attach adjustable feet P*4 as shown.

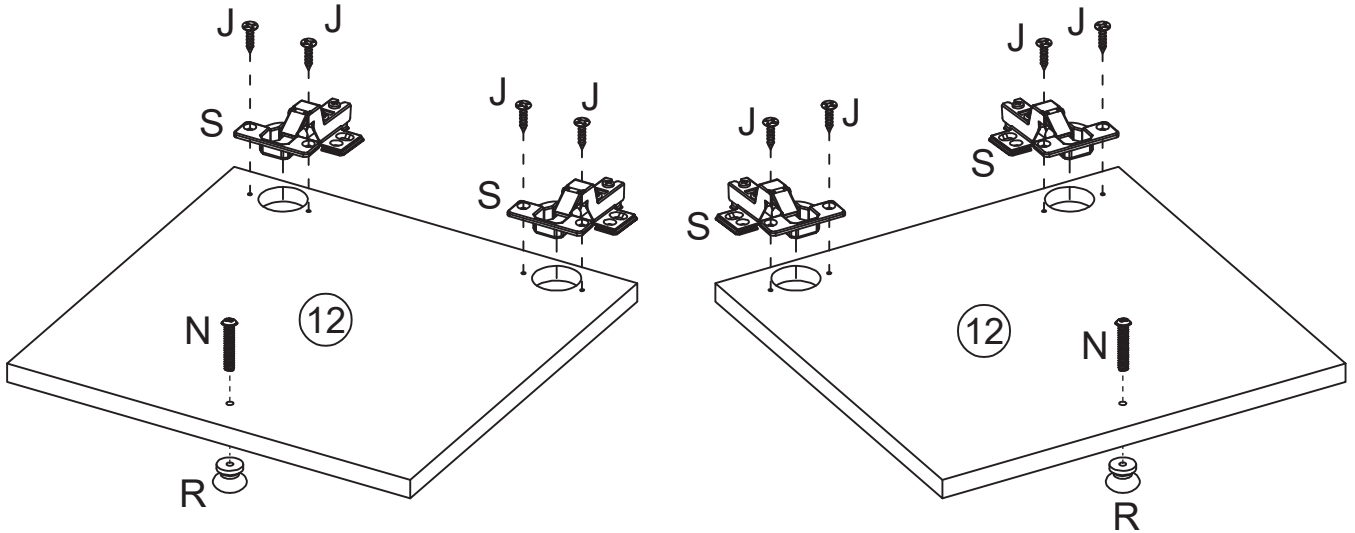
P	X4
	

STEP 11



Attach Pullable drain basket board Part#10&11 to the unit as shown. After aligning, put it in and you'll be fine if you hear a click.

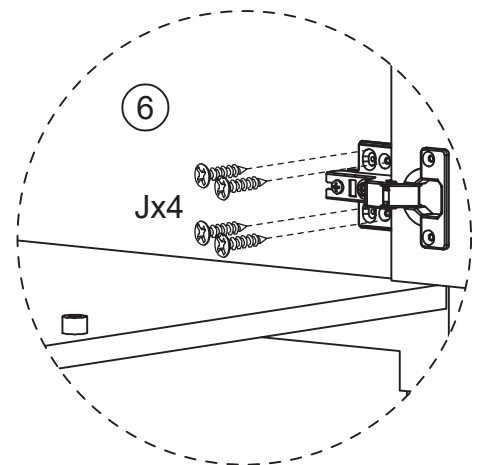
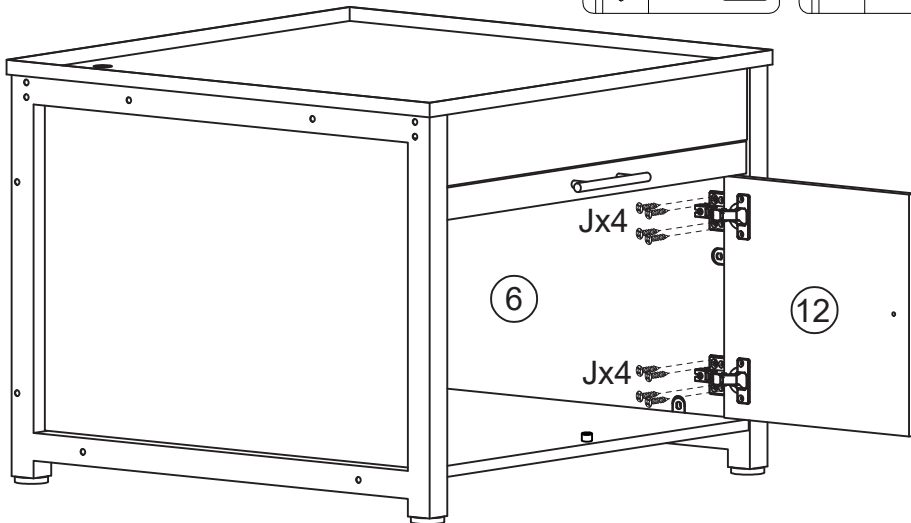
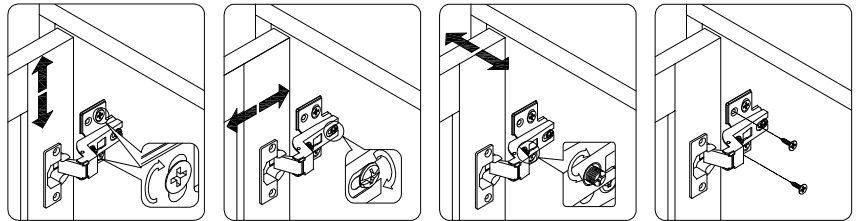
STEP 12



Install door hinges Part S*4 on doors parts #12*2 as shown using screws J*8
 Attach door handle R*2 with screws N*2 as shown.

V	X1	R	X2	N	X2	J	X8	S	X4
				M4x18mm		3.5x14mm			

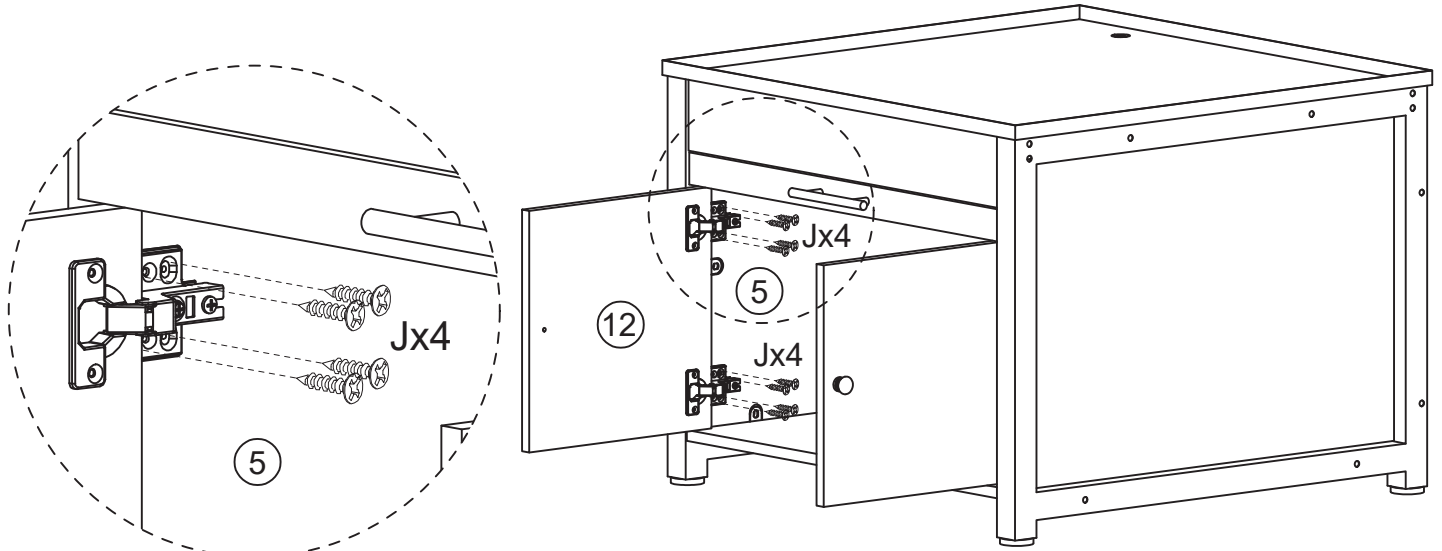
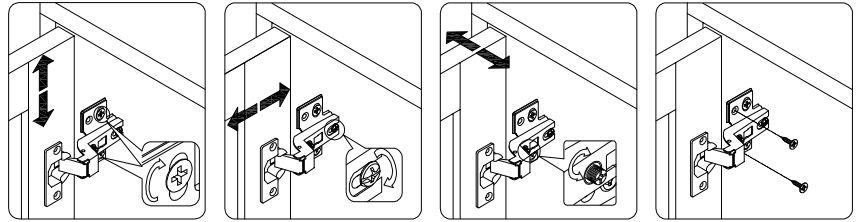
STEP 13



Install Door to the main unit with screws J*8 as shown.
 (You can make the door more compliant by adjusting the door hinges as the above image shows.)

V	X1	J	X8
		3.5x14mm	

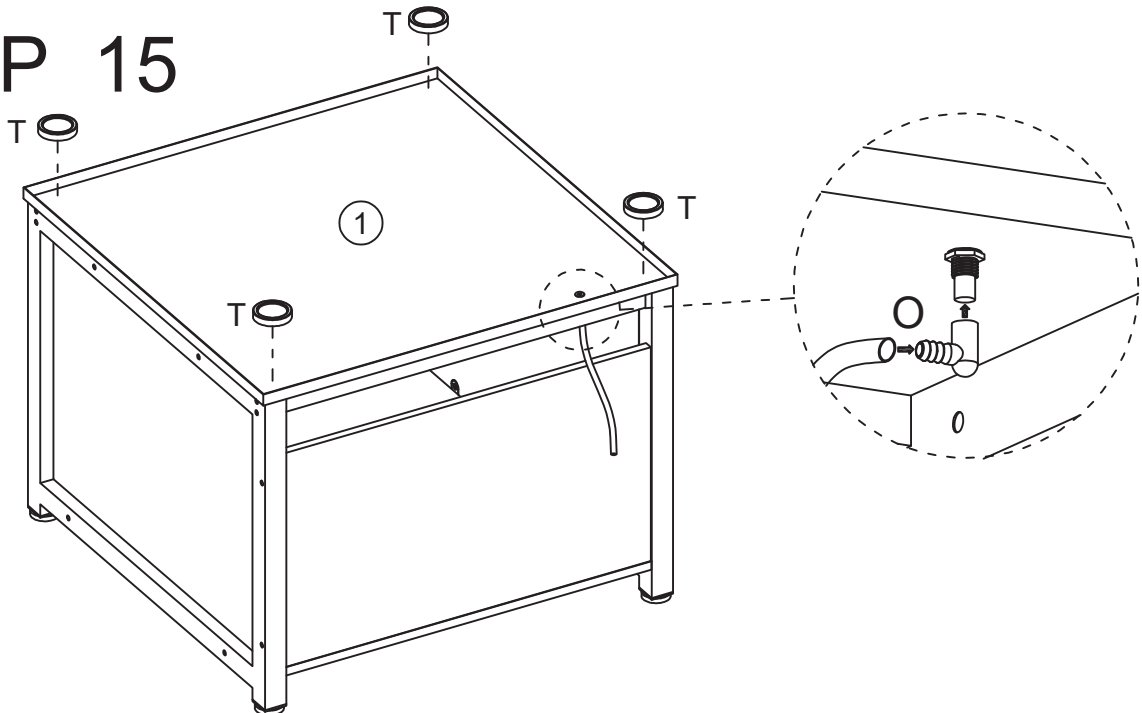
STEP 14



Install Door to the main unit with screws J*8 as shown, same as step 13.
 (You can make the door more compliant by adjusting the door hinges as the above image shows.)

V	X1	J	X8
		3.5x14mm	

STEP 15



Attach the water drain hose O to the unit.
 To make the assembly easier, or if the temperature is too low, it is better to use hot water to soften the accessories before installing the drain hose.
 We are equipped with anti-vibration pads. Can be used together if necessary.

T	X4	O	X1