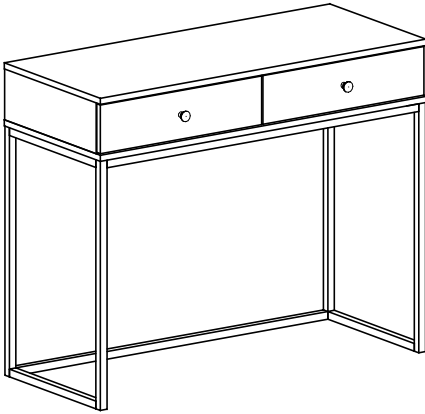
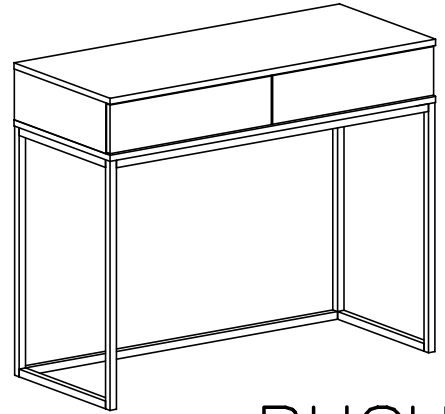


Installation & Assembly

ver.1

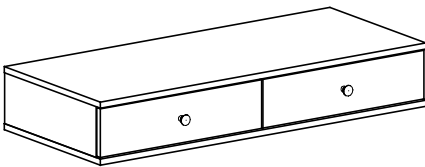


ver.2

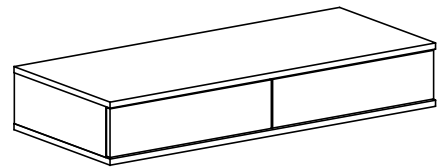


PUSH

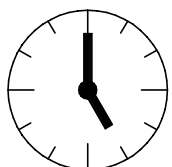
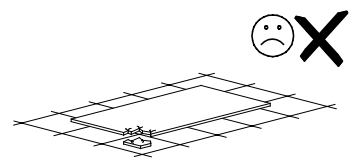
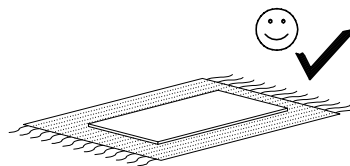
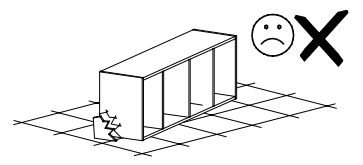
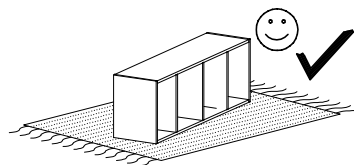
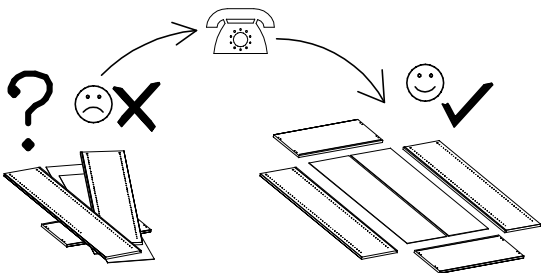
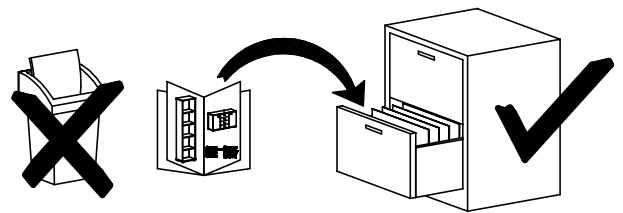
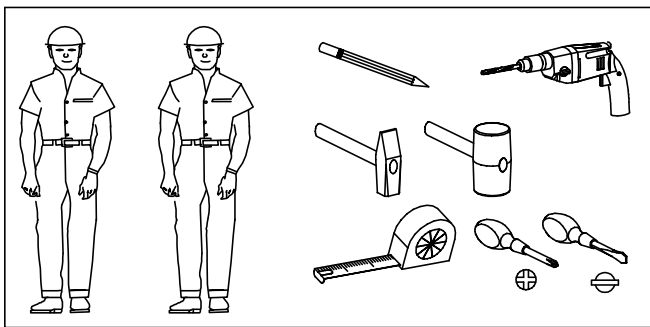
ver.3



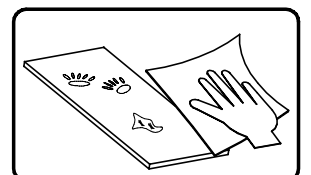
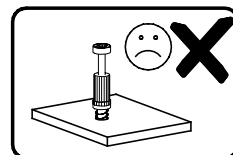
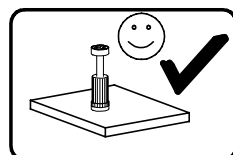
ver.4



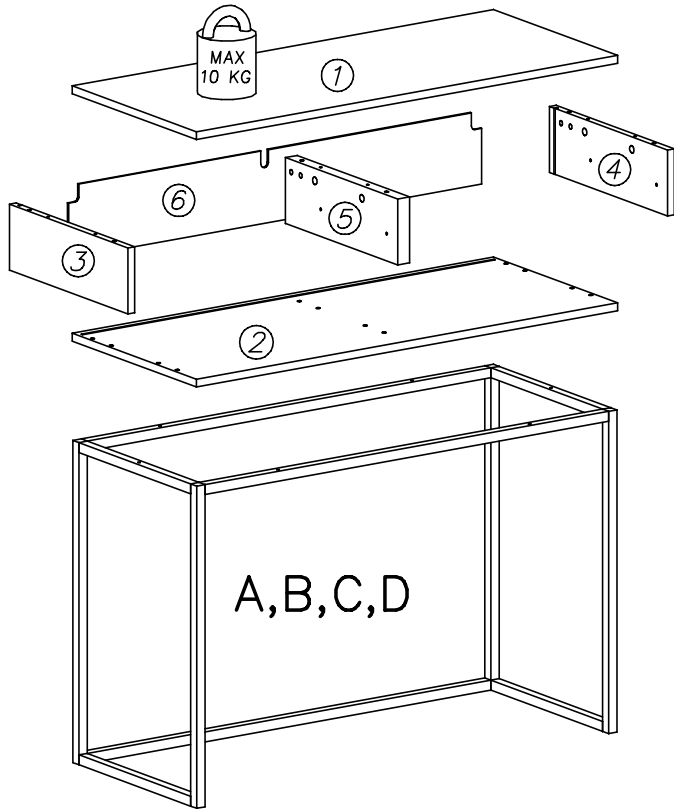
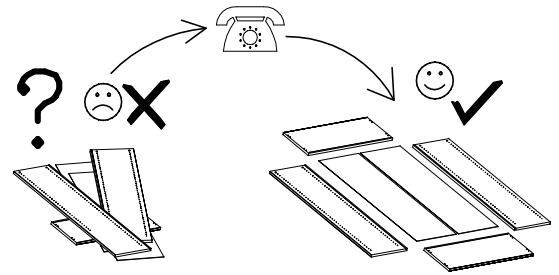
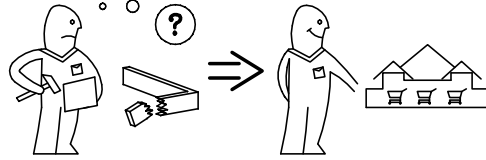
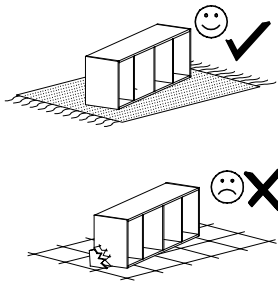
PUSH



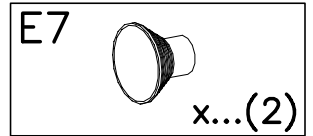
1,5h



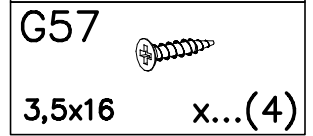
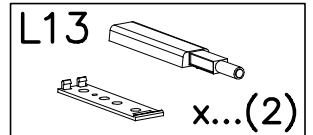
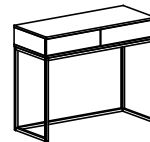
Table



ver.1,3

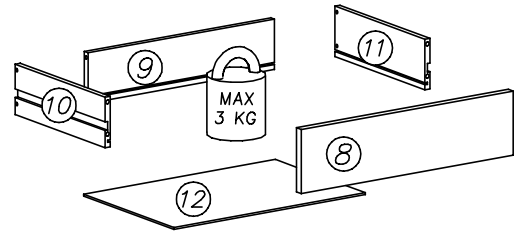


ver.2,4



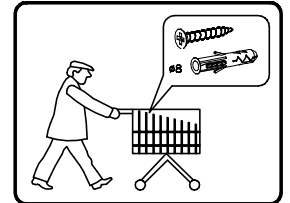
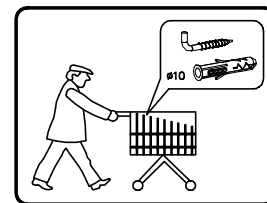
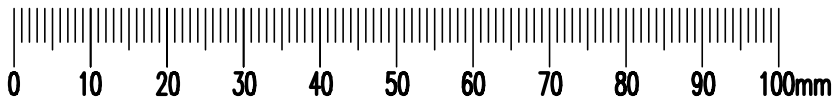
A,B,C,D

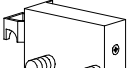


PUSH

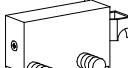
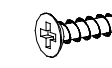






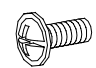
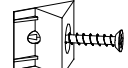

nr	L[mm]	B[mm]	T[mm]	Menge	Coll
1	1002	422	16	1	1/1
2	1002	422	16	1	1/1
3	133	400	16	1	1/1
4	133	400	16	1	1/1
5	133	380	28	1	1/1
6	145	980	2,5	1	1/1

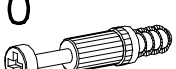

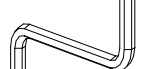


nr	L[mm]	B[mm]	T[mm]	Menge	Coll
8	494	126	16	2	1/1
9	437	100	12	2	1/1
10	300	100	12	2	1/1
11	300	100	12	2	1/1
12	447	301	2,5	2	1/1



U9L  x...(1)	F4  x...(1)	G34  3,5x16 x...(1)
---	--	--

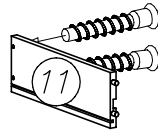
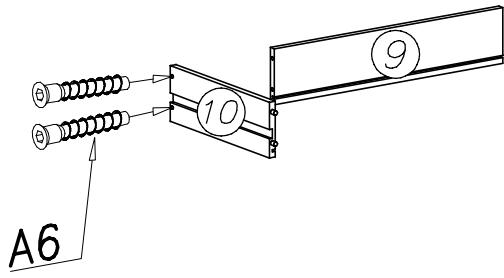
U9R  x...(2)	G34  3,5x16 x...(2)	H3  280mm x...(4)	G50  6x13 x...(8)
---	--	---	--

K1  Ø15x12 x...(6)	G8  4x30 x...(8)	N1  M4x9 x...(4)	I1  x...(4)	W1  GLUE, LEIM, LEPIDLO, LIM x...(1)
---	---	---	--	---

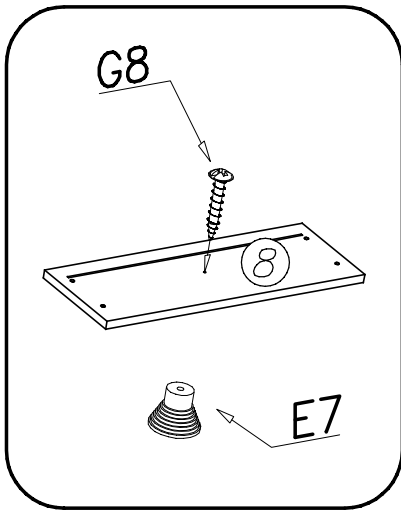
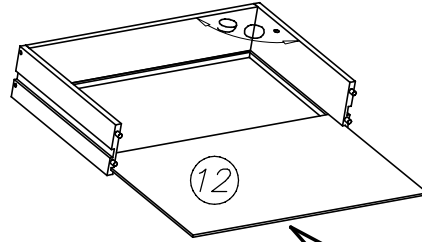
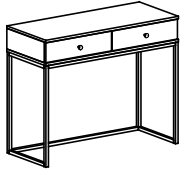
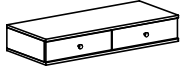
K10  x...(6)	B1  Ø8x35 x...(20)	W2  x...(1)	A6  Ø7x40 x...(8)	A1  Ø7x50 x...(6)
---	---	--	--	--

Table

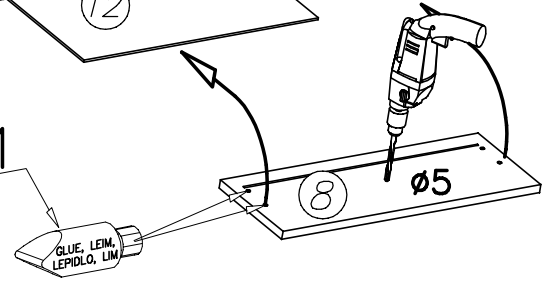
I



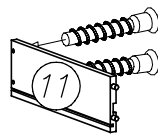
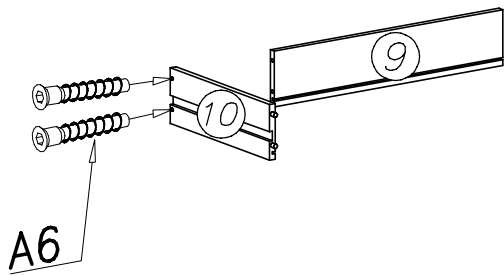
ver 1,3



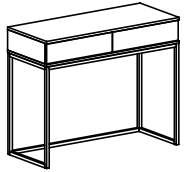
W1



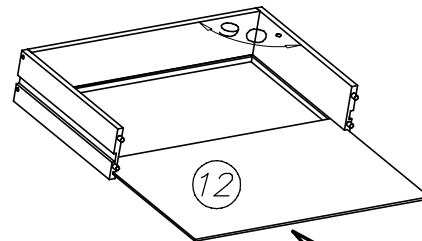
II



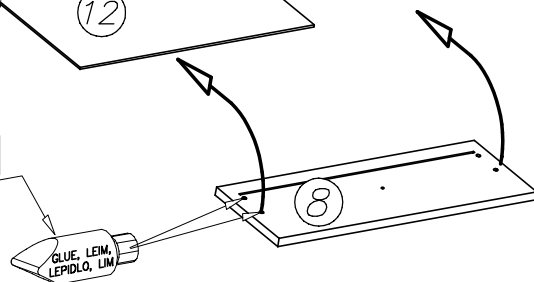
ver 2,4



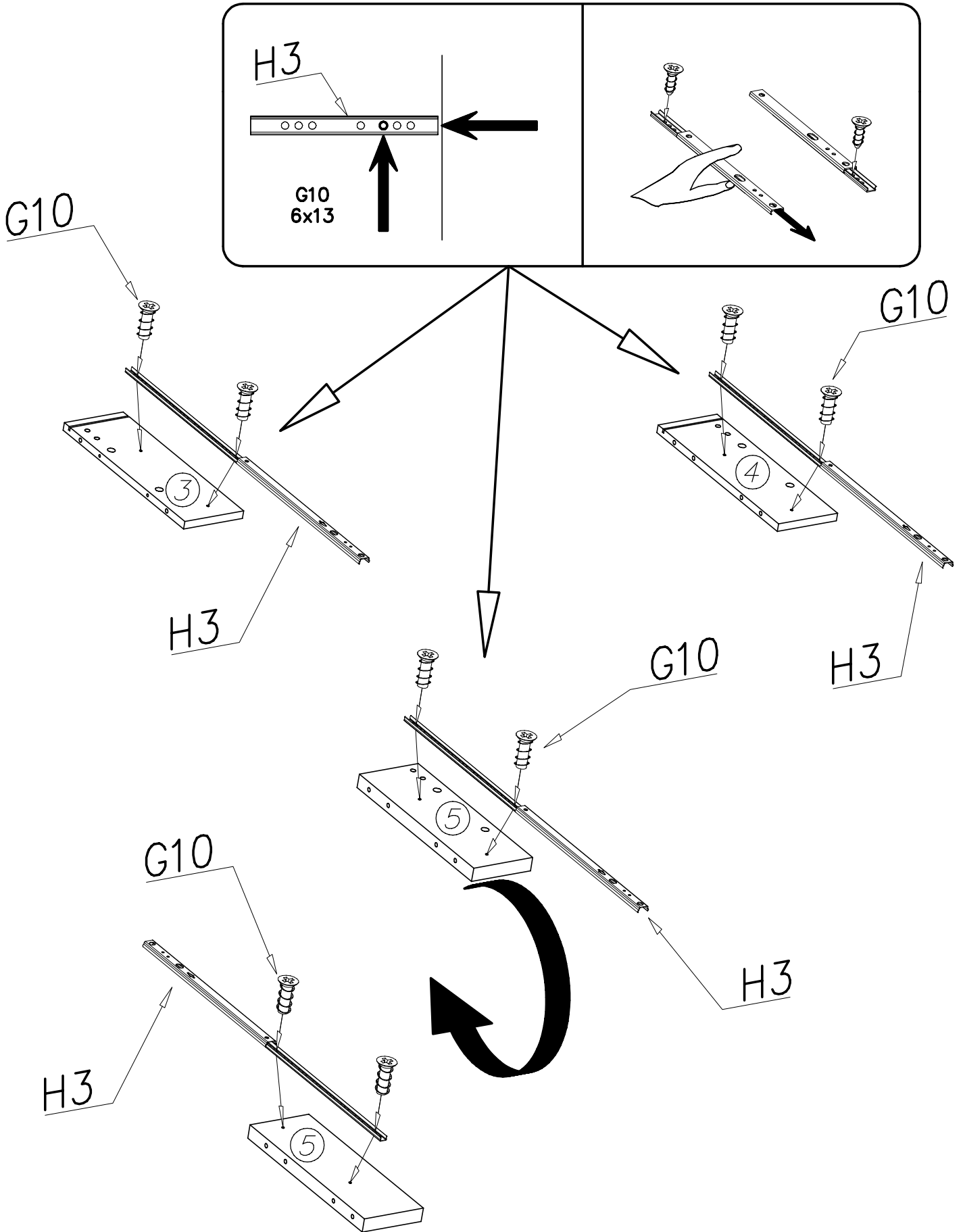
PUSH



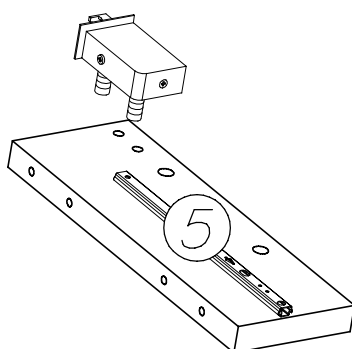
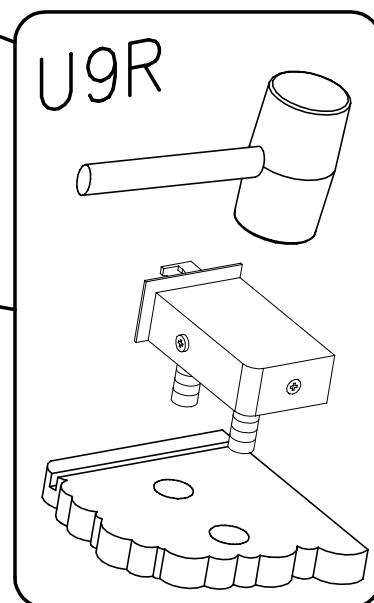
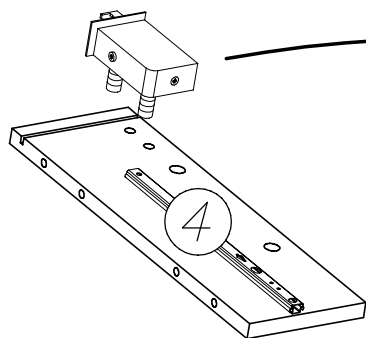
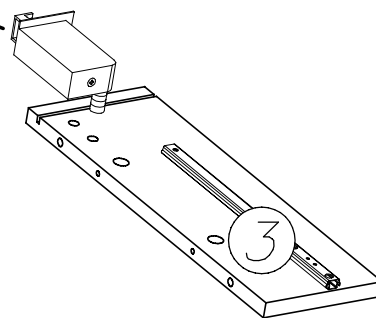
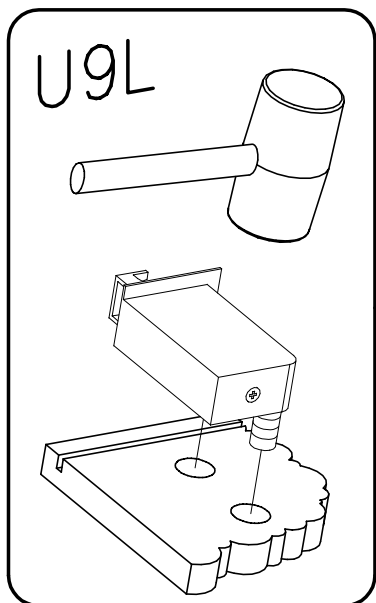
W1



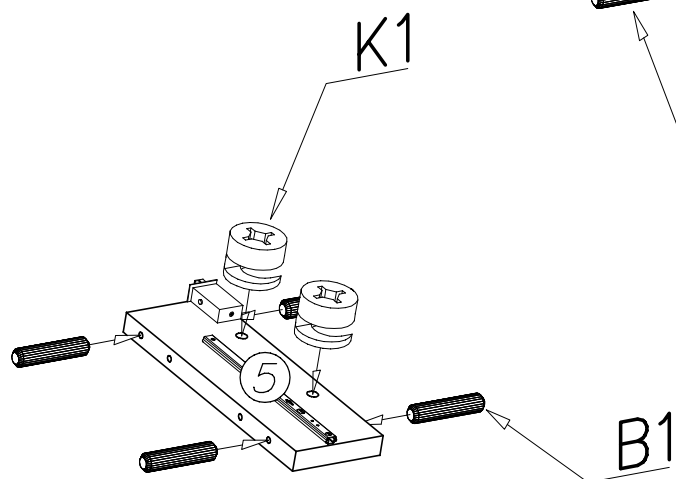
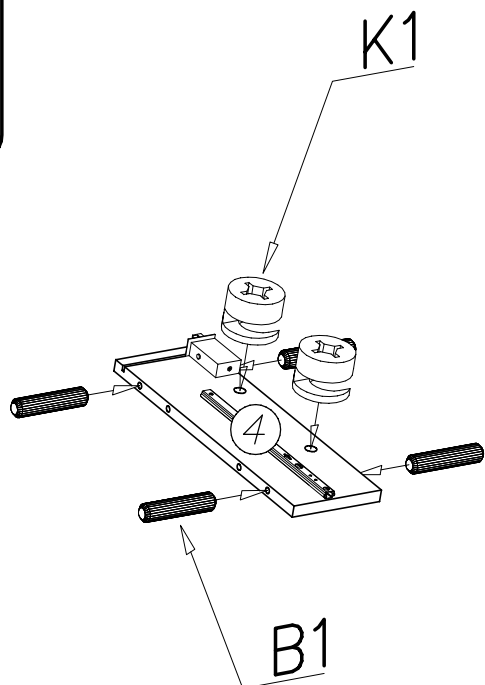
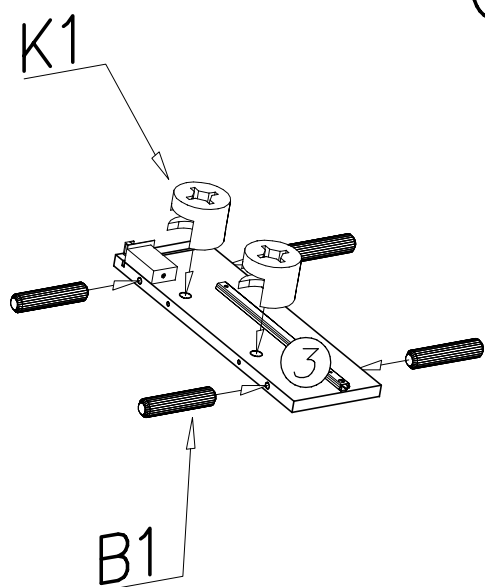
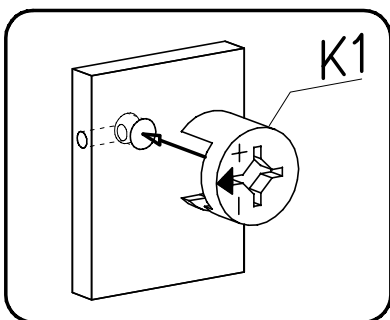
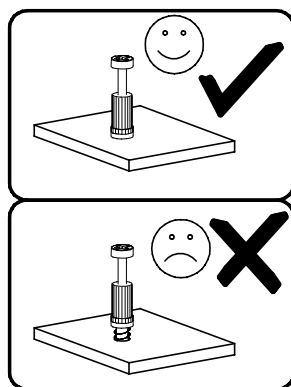
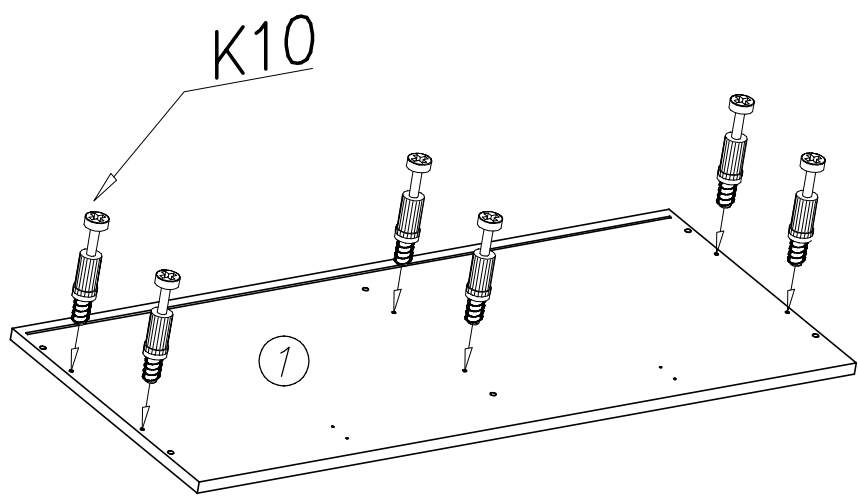
III



IV

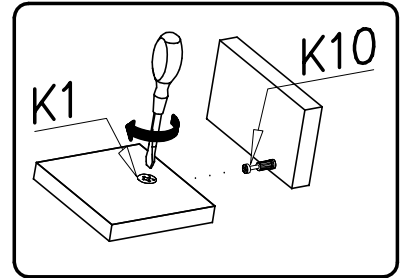
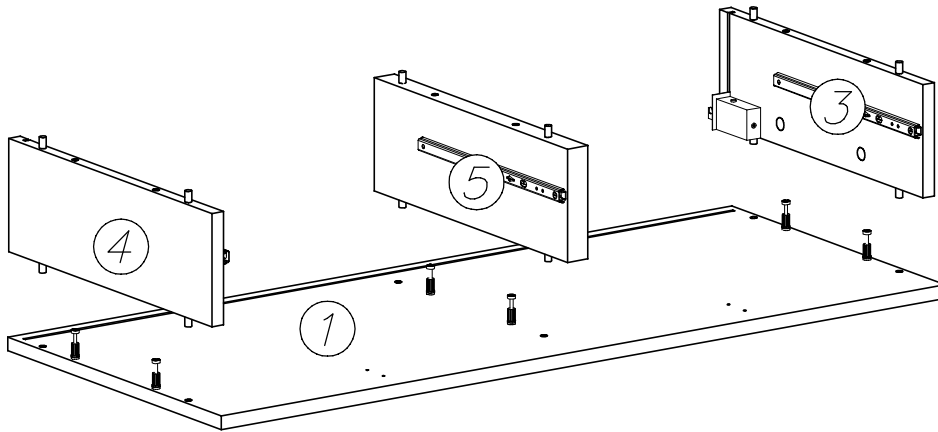


V

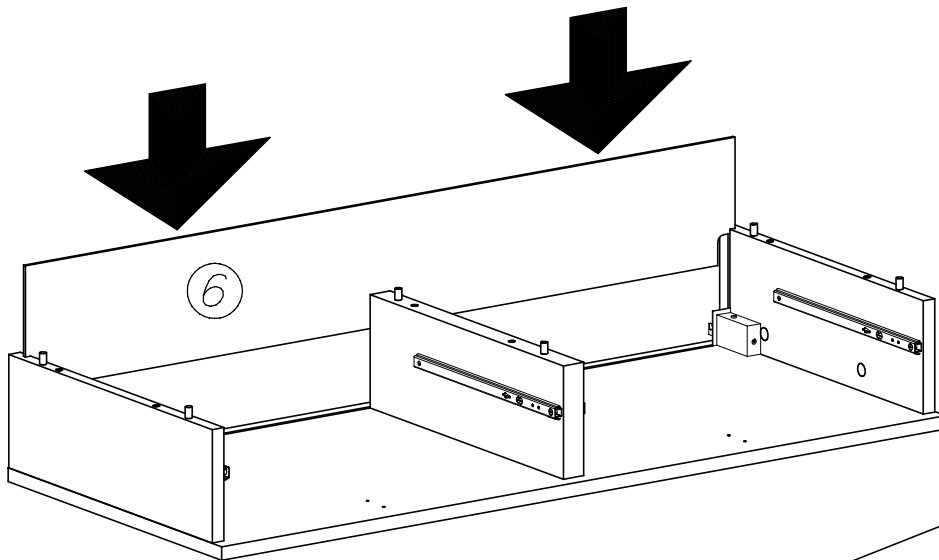


Table

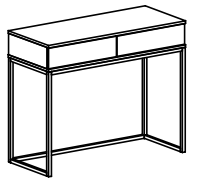
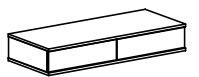
VI



VII

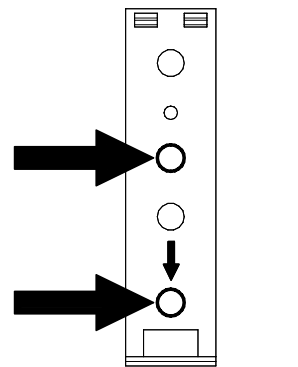
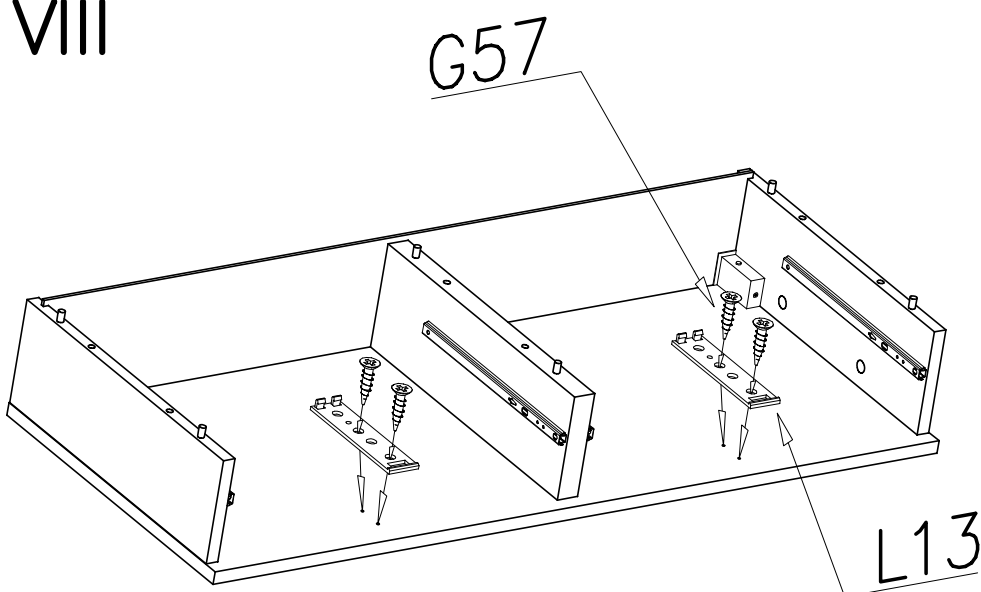


ver 2,4



PUSH

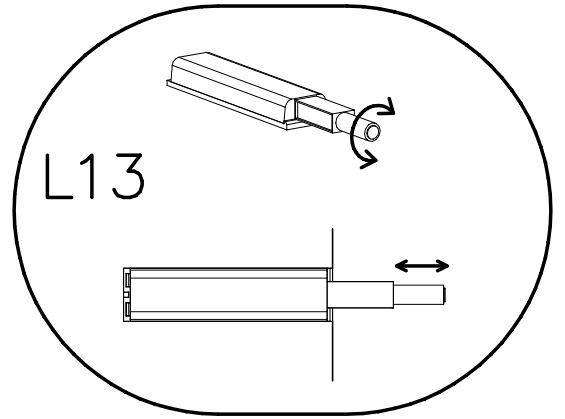
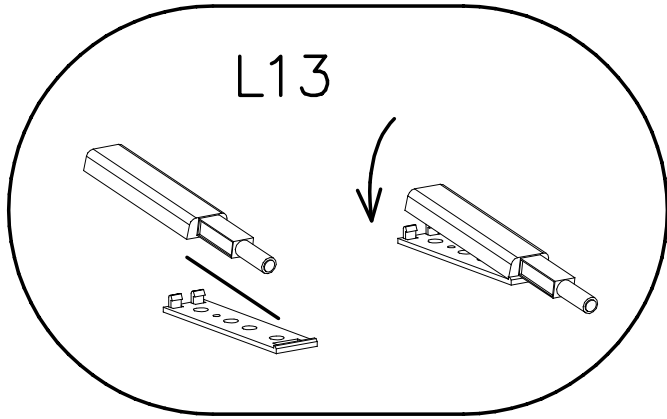
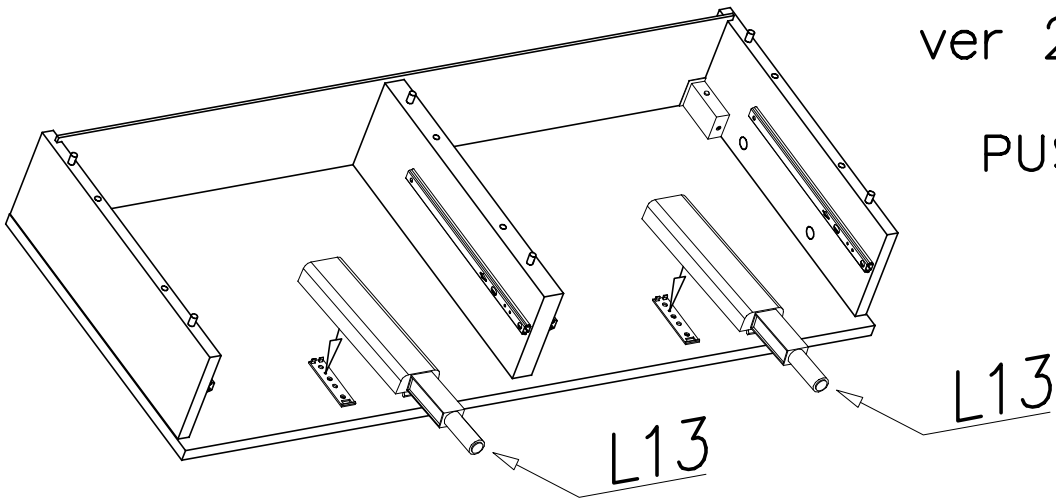
VIII



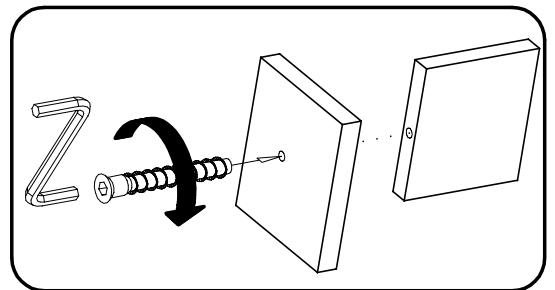
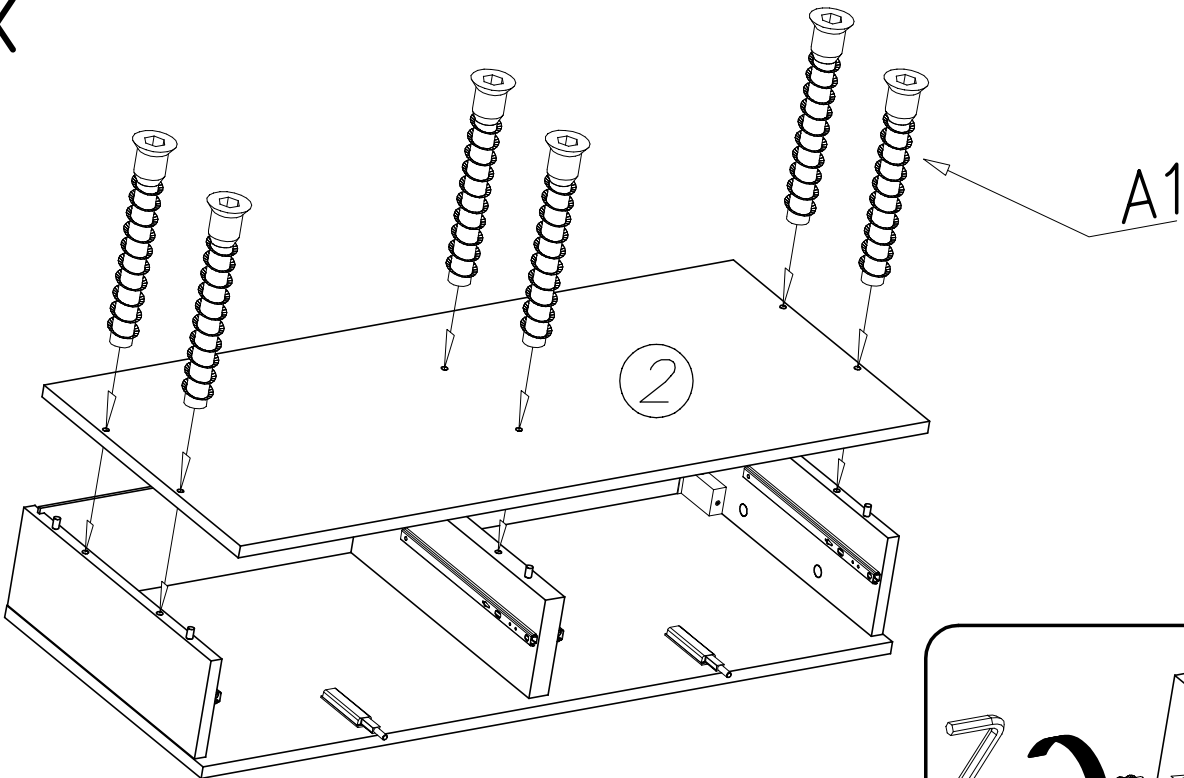
front

Table

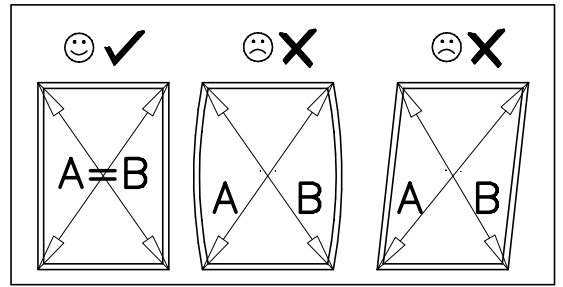
IX



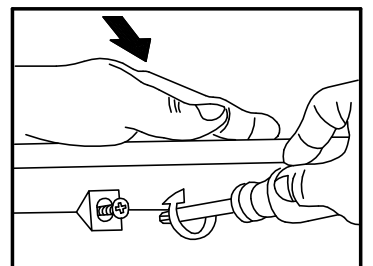
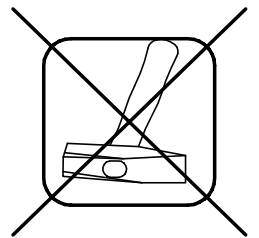
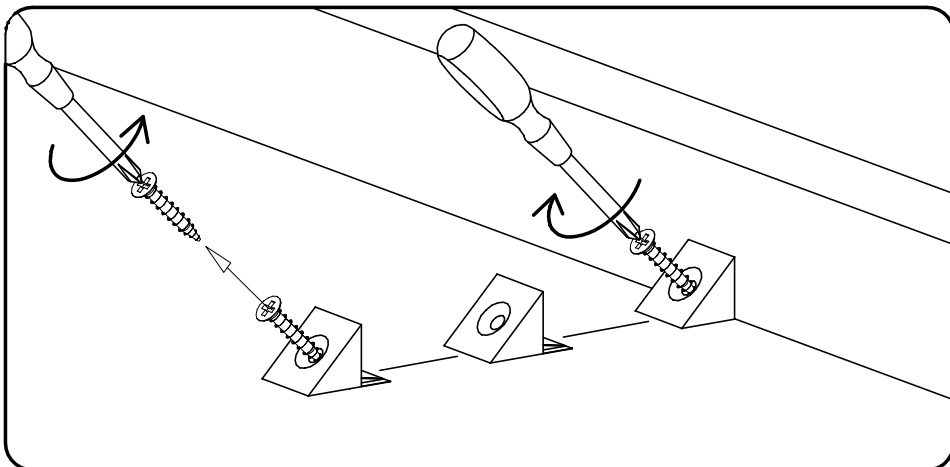
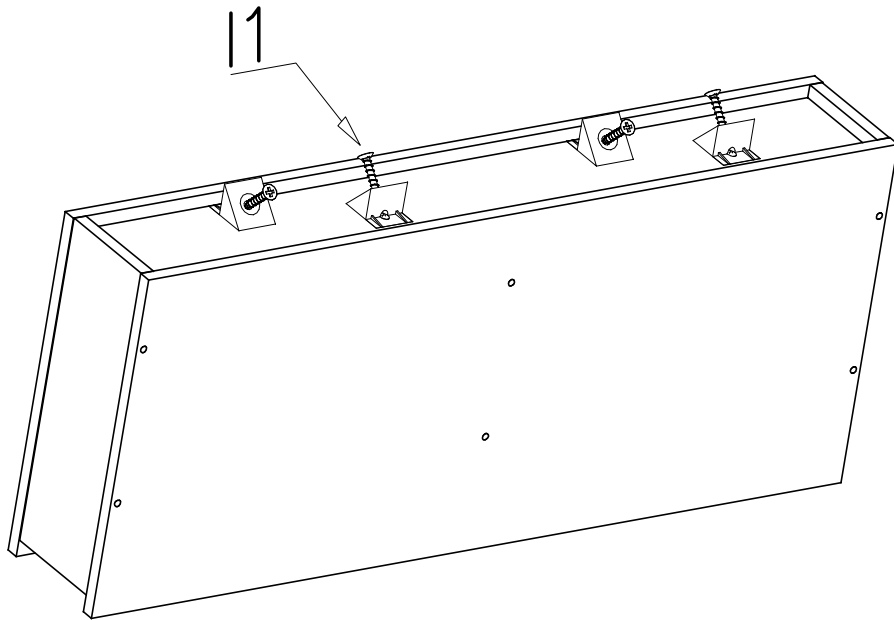
X



XI

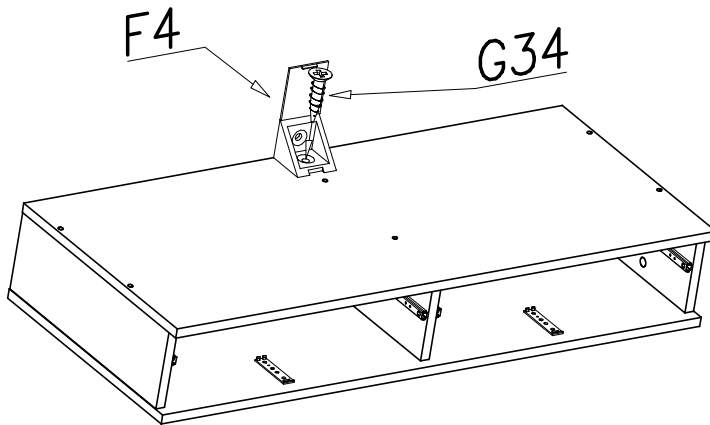


$A=B$

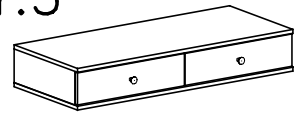


Table

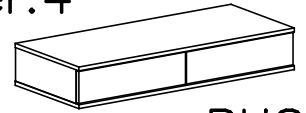
XII



ver.3



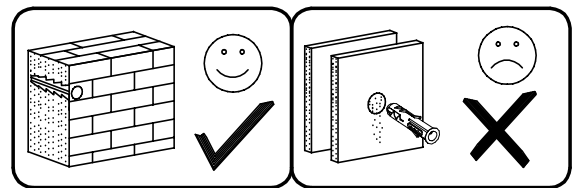
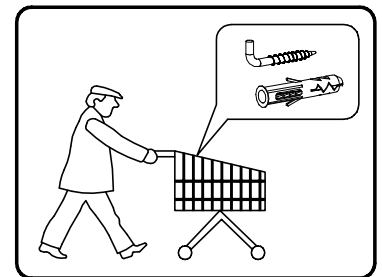
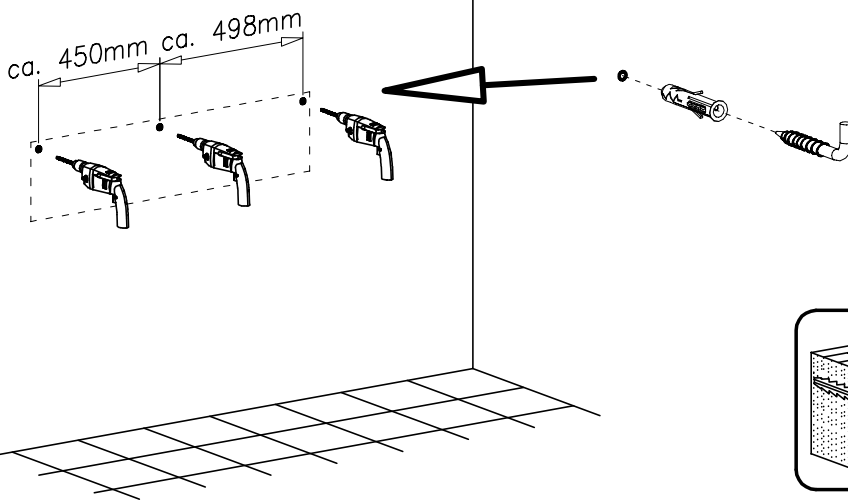
ver.4



PUSH

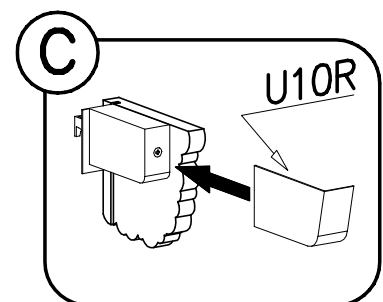
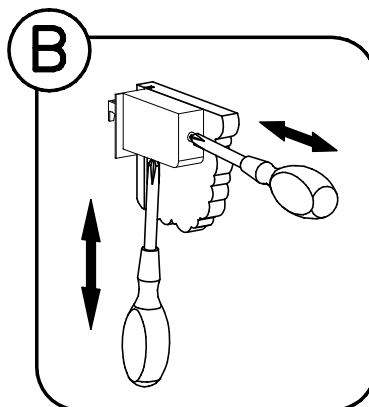
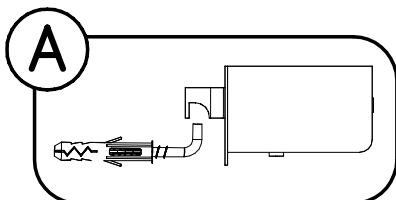
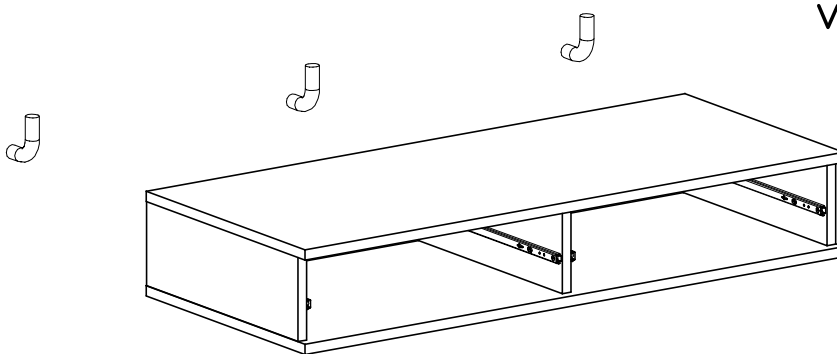
XIII

ver.3,4

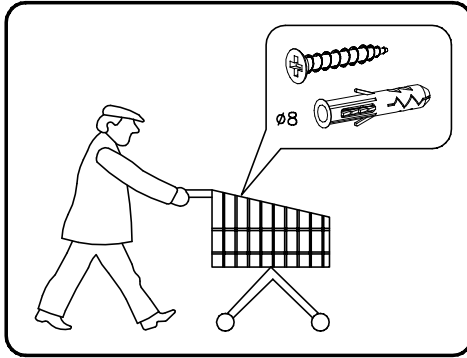


XIV

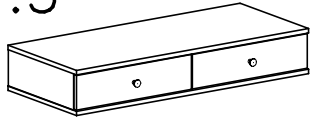
ver.3,4



XV



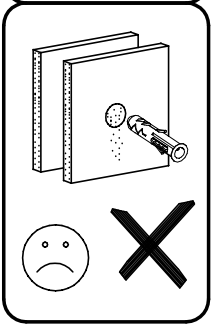
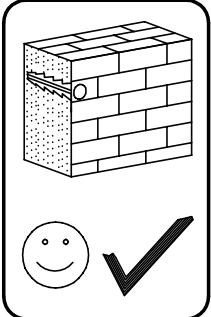
ver.3



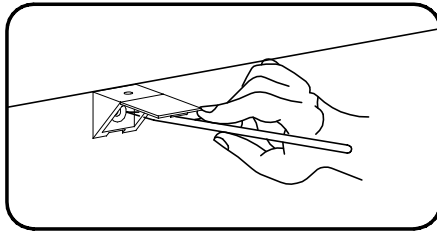
ver.4



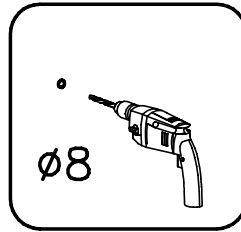
PUSH



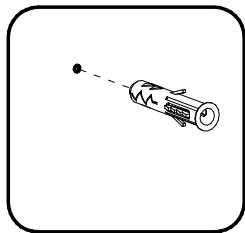
1



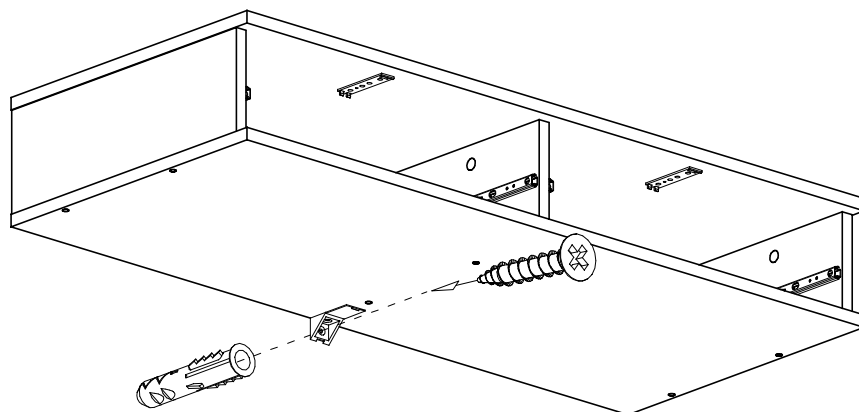
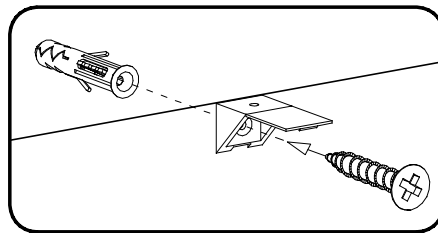
2



3

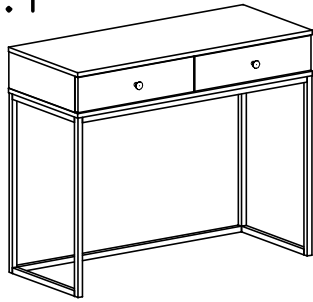


4

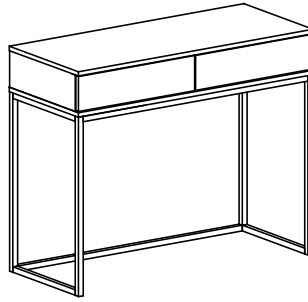


Table

ver.1

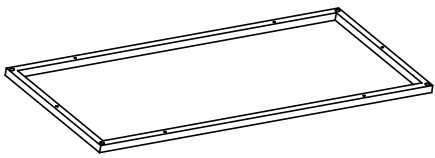


ver.2



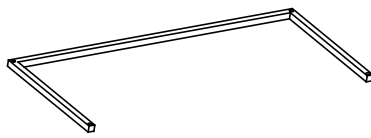
PUSH

A



x1

B



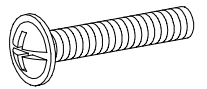
x1

C



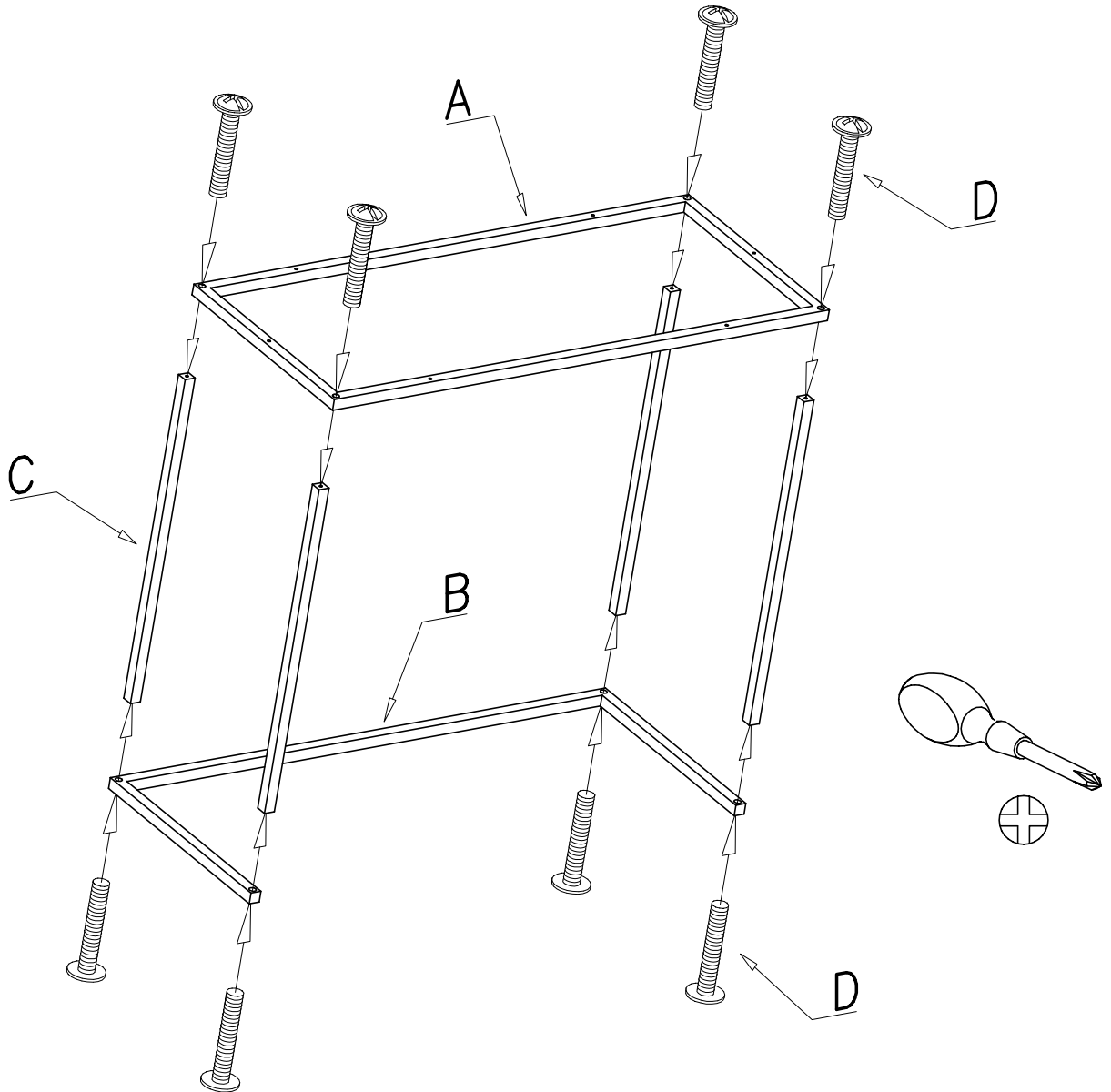
x4

D

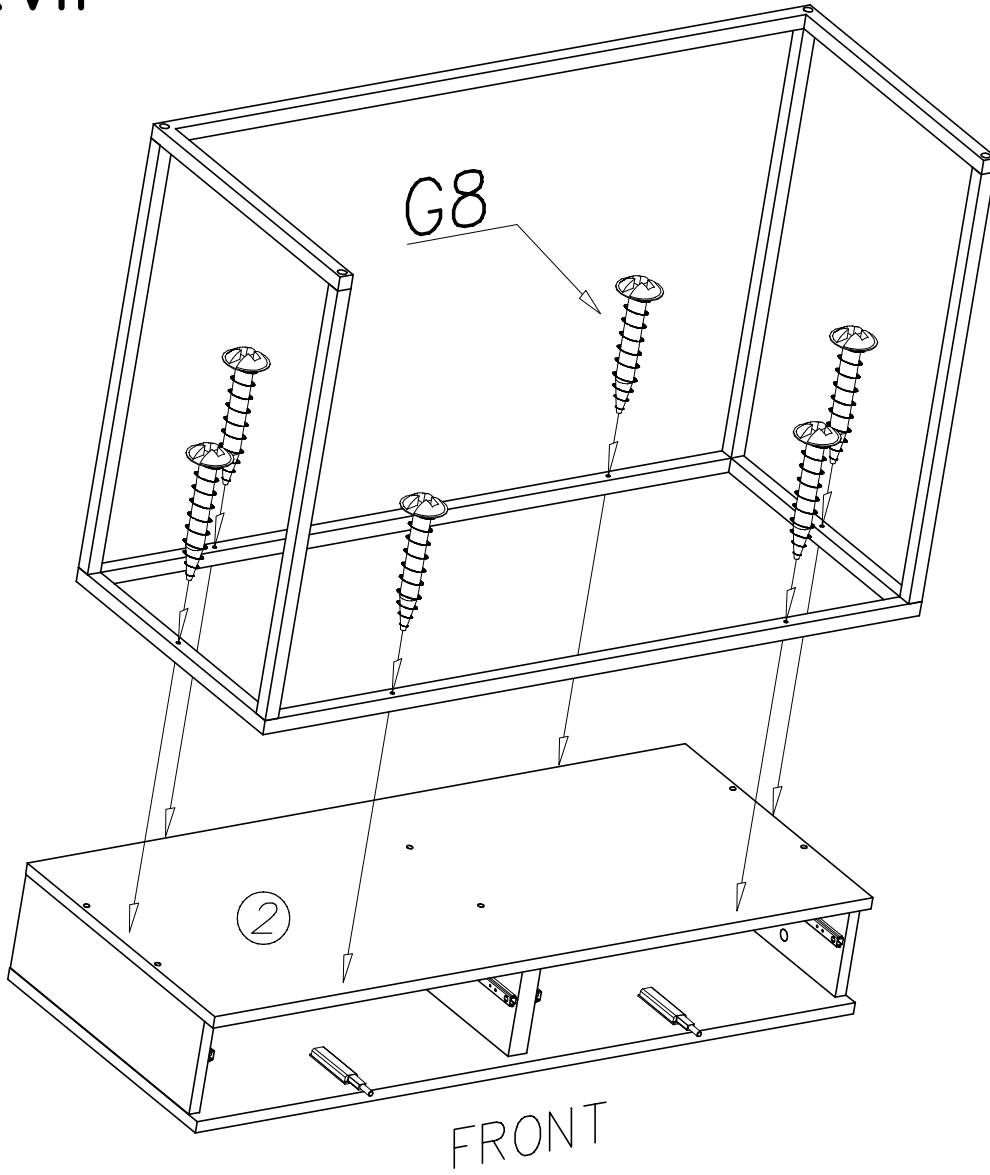


x8

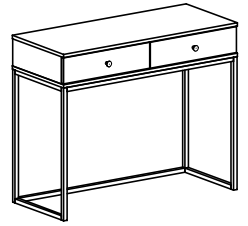
XVI



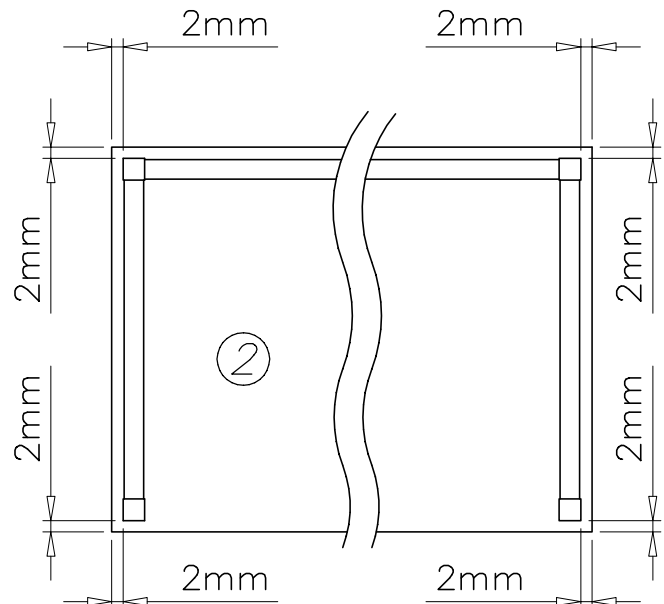
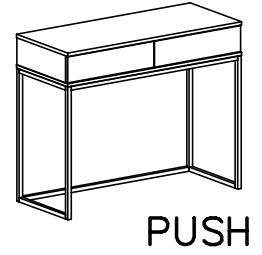
XVII



ver.1



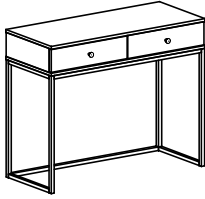
ver.2



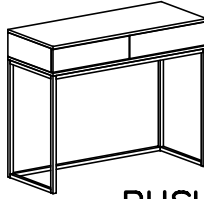
Table

XVIII

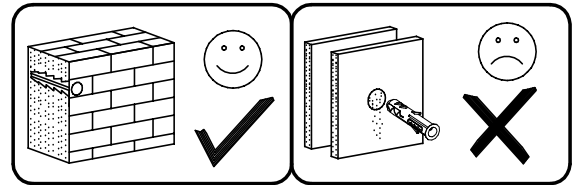
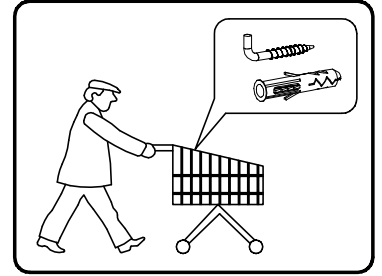
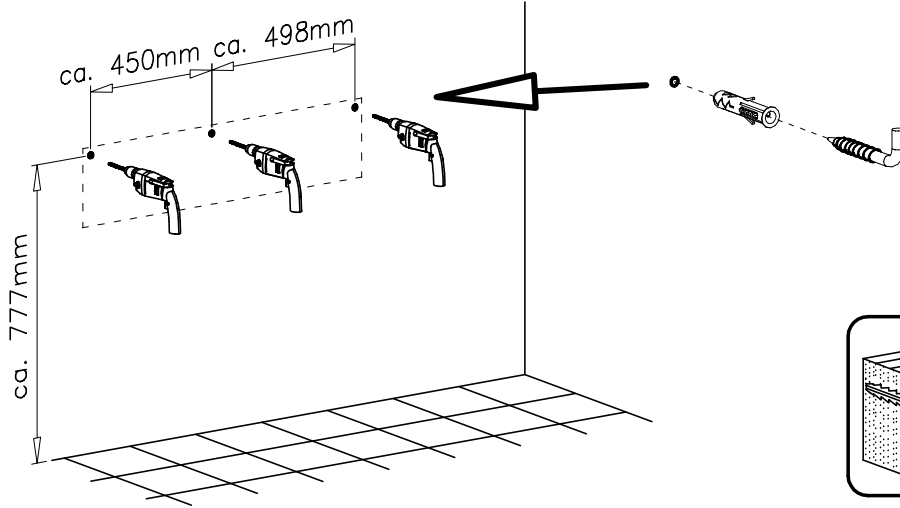
ver.1



ver.2

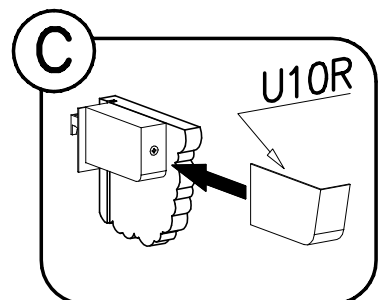
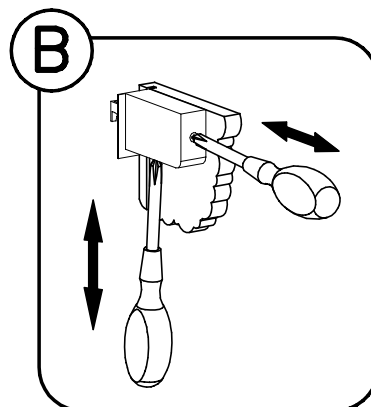
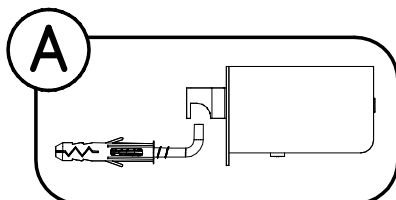
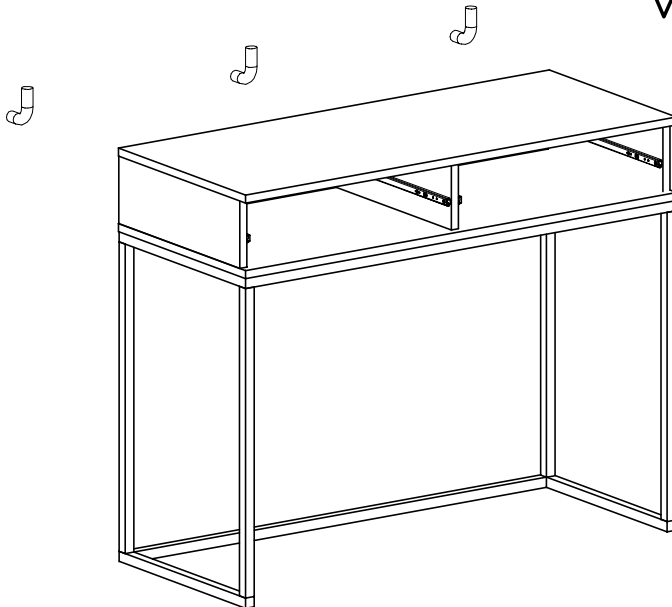


PUSH



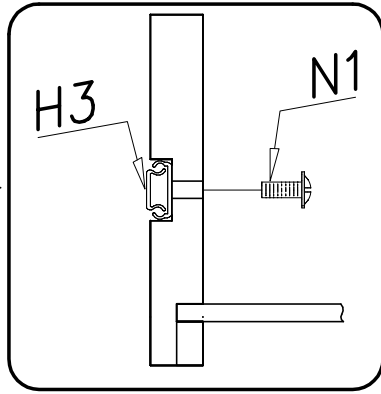
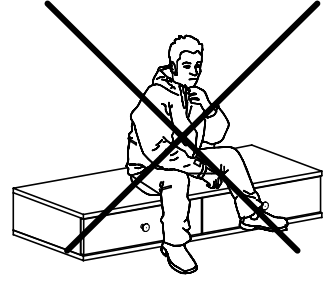
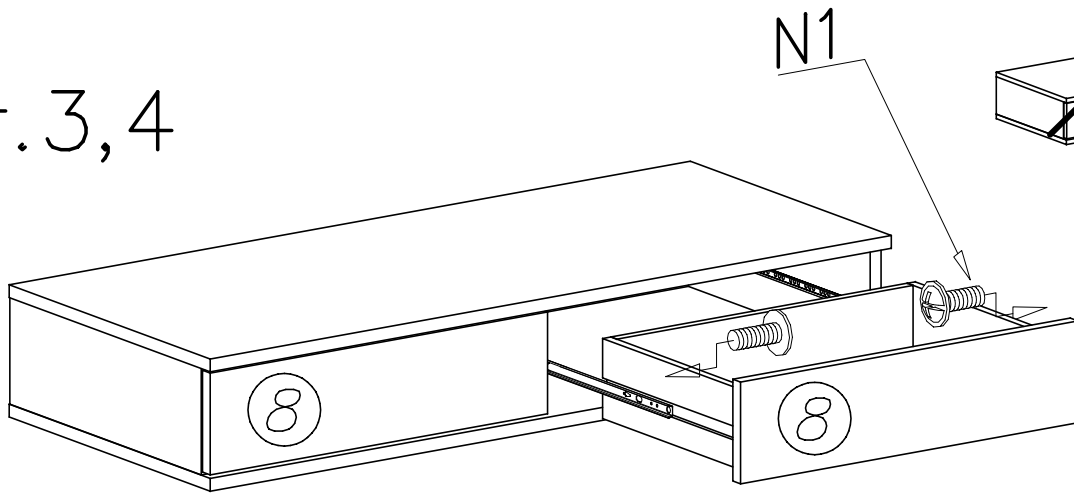
XIX

ver.1,2

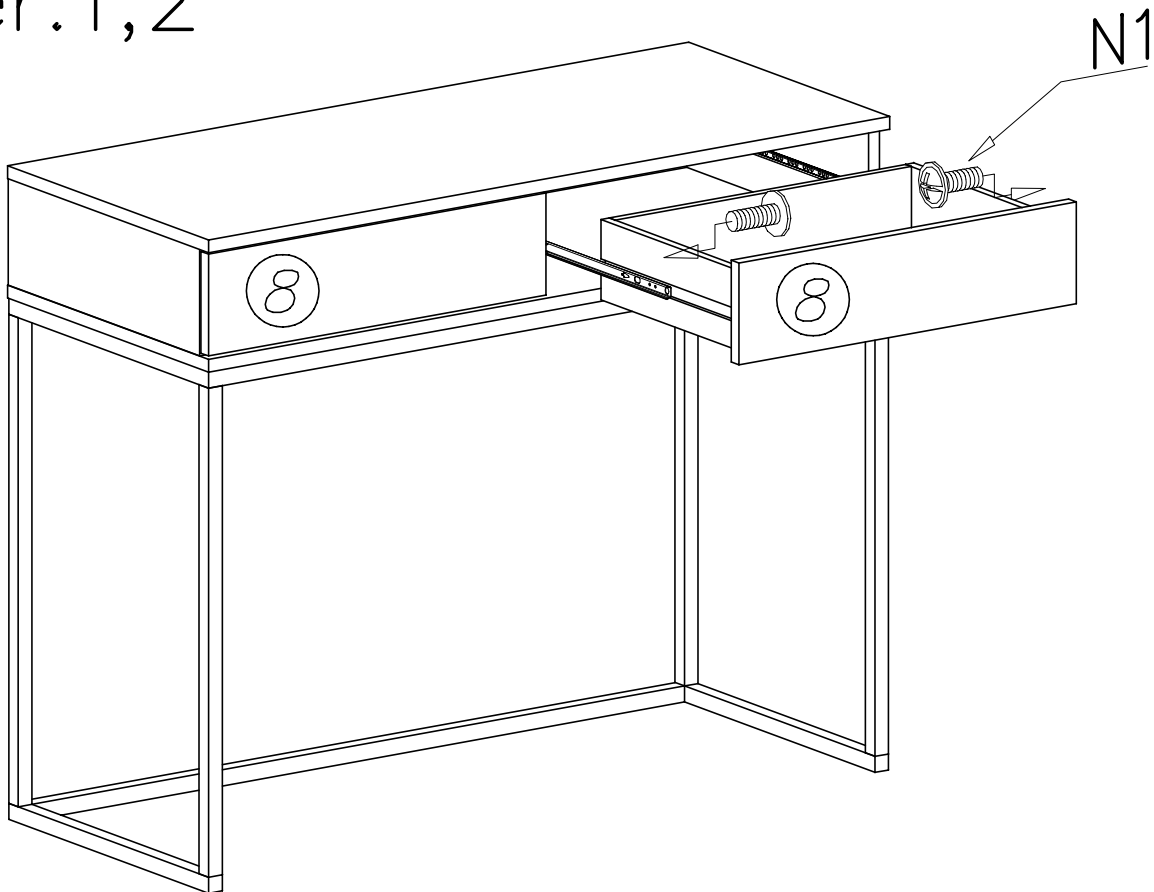


XX

ver. 3,4



ver. 1,2





Uwaga • Upozornění • Achtung • Attention • Caution • Figyelem
 Attenzione • Opgelet • Внимание • Atenție • Upozornenie • Dikkat

