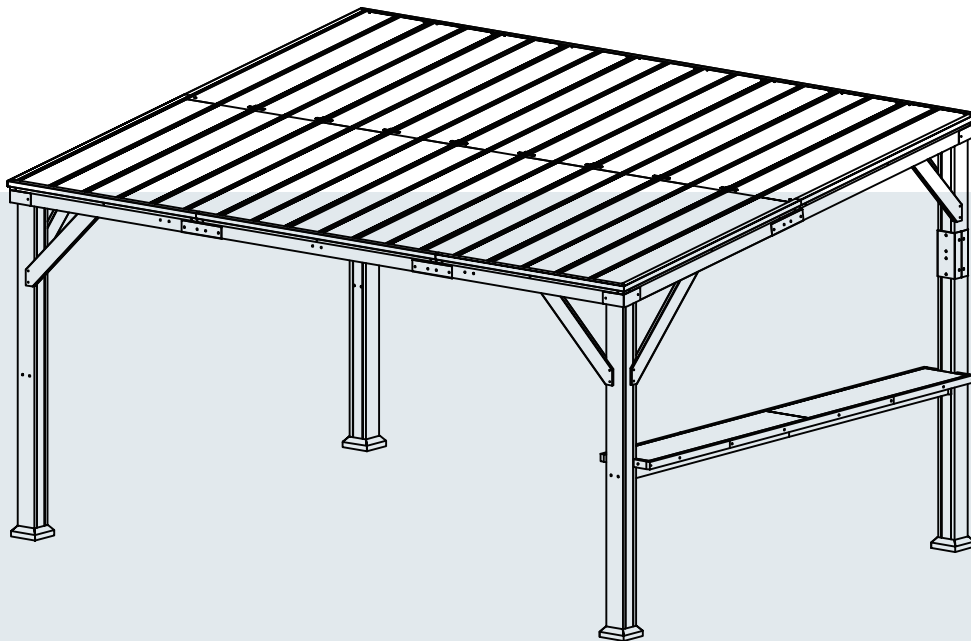


# GAZEBO

**Assembly Instruction - Please keep properly for future reference.**

If you find any missing boxes, damaged parts, or accessory shortages, please contact the customer service team of your purchasing channel immediately. We will resolve the issue as quickly as possible.



Arrive in 4 separate boxes and may not be part of the same shipment.  
Please install the product after receiving all the packages.

## CONTACT US

10X14FT

- **Email: [service@gandtunnel.com](mailto:service@gandtunnel.com)**

In order to receive assistance more quickly, please provide

## THE FOLLOWING INFORMATION:

- Order number
- Purchase platform
- Purchase date
- Detailed description of the issue along with photos (if applicable)

EN

**Important** – Please read these instructions carefully before starting the installation.

# BEFORE YOU START

---

## Owner's Manual

Prior to installation, it is important that you contact your local government authority to determine if building approval is required. Study and understand this owner's manual.

Important information and helpful tips will make your construction easier and more enjoyable.

## Assembly instructions

In structions are supplied in this manual and contain all appropriate information for your building model. Review all instructions before you begin. During assembly, follow the step sequence carefully for correct results .Please be aware: **requires four people and take 7-10 hours for installation.**

## Parts

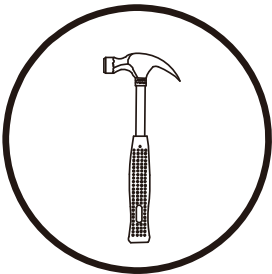
Check to be sure that you have all the necessary parts for the building.

Separate contents of the carton by the part number while reviewing parts list.

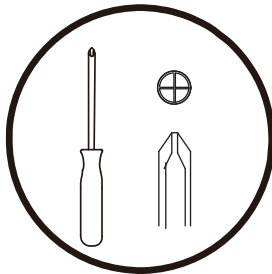
Familiarize yourself with the hardware and fasteners for easier use during construction. These are packaged within the carton. Note that extra fasteners have been supplied for your convenience.

# TOOLS MY REQUIRED

---



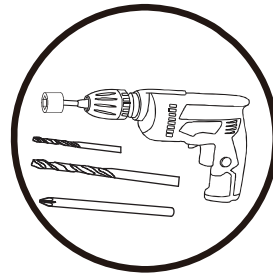
Hammer



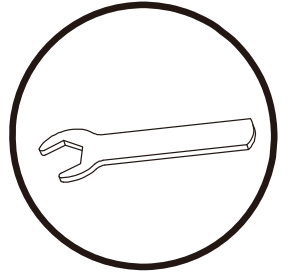
Screwdriver



Ladder



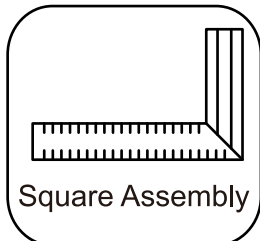
Electric screw driver



Wrench

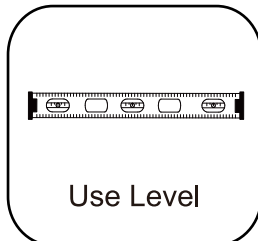


This identifies information that requires special attention. Improper assembly could lead to an unsafe or dangerous condition.



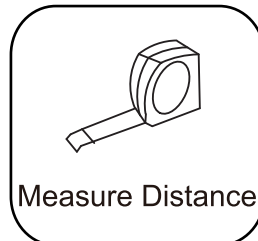
Square Assembly

Check that assembly is square before tightening bolts.

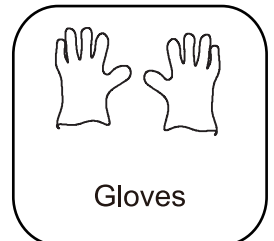


Use Level

Check that set or assembly is properly level before proceeding.



Measure Distance

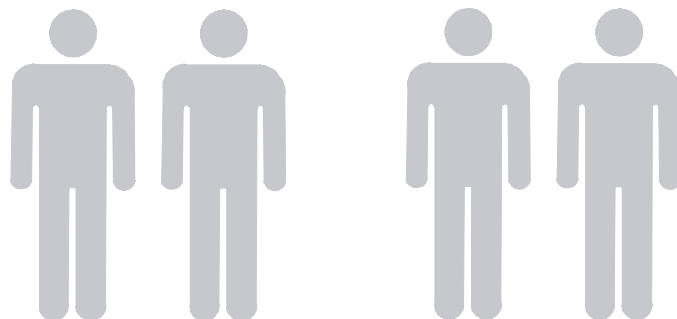


Gloves

# IMPORTANT

---

How many people needed for the installation work  
Requires Four people and take 7-10 hours for installation.



## PLAN AHEAD

---

### Site Selection

Avoid overhanging trees as much as possible as leaves will make regular cleaning necessary and broken branches are a potential hazard.

Small trees, bushes or fences nearby can be helpful, acting as a wind break.

### Site Preparation

The site must be prepared so that the base of the shed is level all round and checking with a spirit level is required.

The base can be constructed by treated timber or concrete, in order to stop the moisture getting into the shed.

**The shed is not designed to be built onto lawn directly.** Also the ground will get muddy during rainy days.

If a concrete pad is made, it is important that this slopes towards the edges to prevent water ingress.

Time must be allowed for any concrete or cement to dry before building the shed on top.

Bases can also be constructed from bricks, blocks, or mounted on a concrete pad.

The bricks or blocks should be cemented onto firm and level concrete footings and the greenhouse frame drilled and screwed to the base.

## IMPORTANT NOTES:

---

Find someone to help you: it is much easier with someone to hold parts, pass tool sect. Also some steps require two people to lift structures together. This is not very heavy work so would suit most able-bodied people.

Allow plenty of time: rushing often causes errors and the re-doing of incorrect assemblies. If you have never built a shed before, it can take most of a day to carefully complete the construction.

Have the right tools to hand.

Safety clothing as recommended in the 'Tools' section.

Ideally let out the parts and check that all are present before commencing construction. Lay on cloths or plastic sheets if there is any risk of scratching the parts.

Tighten all nuts carefully, being sure not to miss any. Check the frame is square and using a spirit level to check that it is upright.

For your safety concern, please do not stand under the metal shed in heavy wind or snow days.

For safety, please use expansion screws to reinforce the posts to the ground.

Please clear the snow off the roof in time for the heavy snowfall.

Make sure all screws are tightened before use.

Repeat to confirm all screws, buckles and straps every 90 days.

Please keep all screws loose during the assembly process and tighten them after completing the installation.

Do not use or store objects in the Metal Shed with open flames or flammable chemicals.

Please note that some parts have sharp edges and should be handled with gloves.

If any parts are missing, broken, damaged or worn, discontinue use of the product until repairs are made or factory replacement parts are installed.

Installation of the product in a manner that does not conform to the manufacturer's instructions may result in the loss of the warranty policy for this product.

# CUSTOMER SERVICE GUIDE

Thank you for choosing our product! We are committed to providing you with excellent service. If you find any missing parts, damaged packaging, or product damage after receiving all packages, please follow the steps below to quickly contact our customer service team. We will do our best to resolve your issue.

## 1. Missing Parts

### Verify Parts:

1. Refer to the “Parts List” in the manual to verify the name, specifications, and quantity of the missing parts.
2. Take a clear photo of the parts list and mark the missing parts with detailed information, e.g., “Missing 5 pieces of M6x30mm screws.”

### Contact Us:

- By Email:

Send an email to [service@grandtunnel.com](mailto:service@grandtunnel.com), with the subject line “Missing Parts Issue.” Include the following in the email:

- A description of the missing parts and a photo of the parts list.
- Order details (order number, purchase platform, purchase date).

## 2. Product or Packaging Damage

### If it affects normal use:

#### Steps:

1. Take clear photos or videos showing the damaged parts and the extent of the damage (multi-angle shots are recommended).
2. Email the photos/videos along with other details to [service@grandtunnel.com](mailto:service@grandtunnel.com), with the subject line “Product Damage Issue.”

#### Resolution:

After verification, we will arrange for a replacement part, product exchange, or refund as quickly as possible.

### If it does not affect normal use:

#### Steps:

1. Contact our customer service team (by email: [service@grandtunnel.com](mailto:service@grandtunnel.com)).
2. Provide a description of the damage and include relevant photos or videos.

#### Resolution:

We will provide repair guidance or an appropriate compensation plan based on the specific situation.

### Contact Us:

- Customer Service Email: [service@grandtunnel.com](mailto:service@grandtunnel.com)

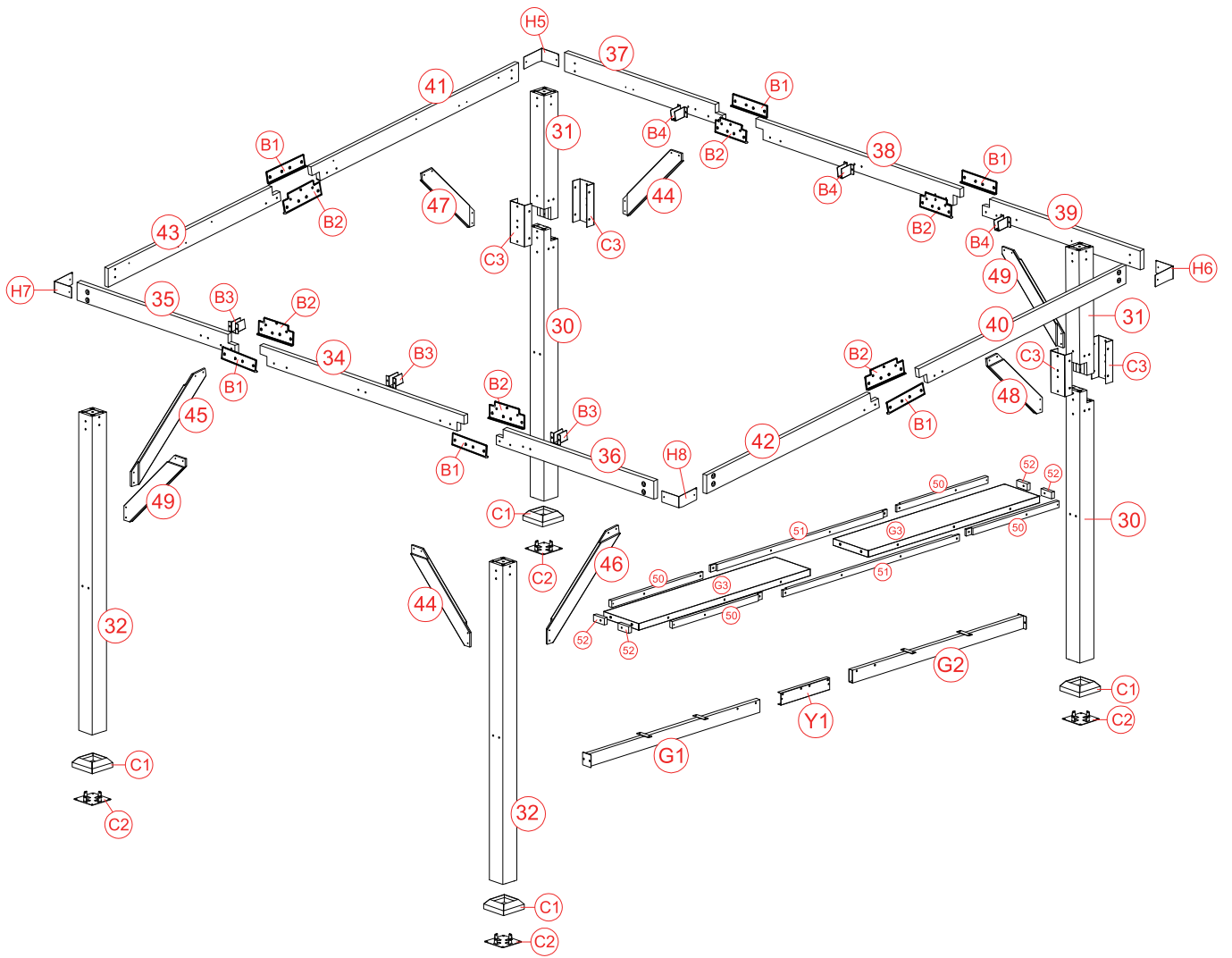
## Helpful Tips

To process your issue efficiently, please prepare the following information:

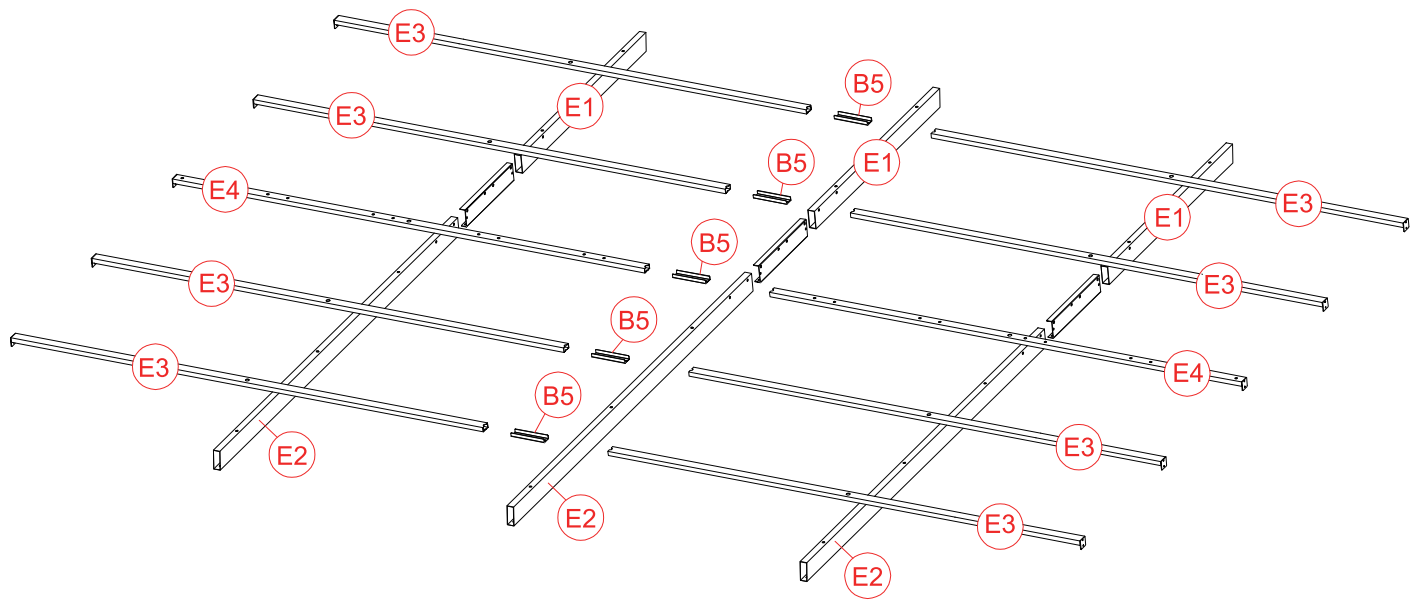
- Order details (order number, purchase platform, purchase date).
- Clear photos or videos.
- We are committed to providing quick and professional solutions, no matter the size of the issue, to ensure your satisfaction.

Thank you for your trust and support! We hope you enjoy using our product!

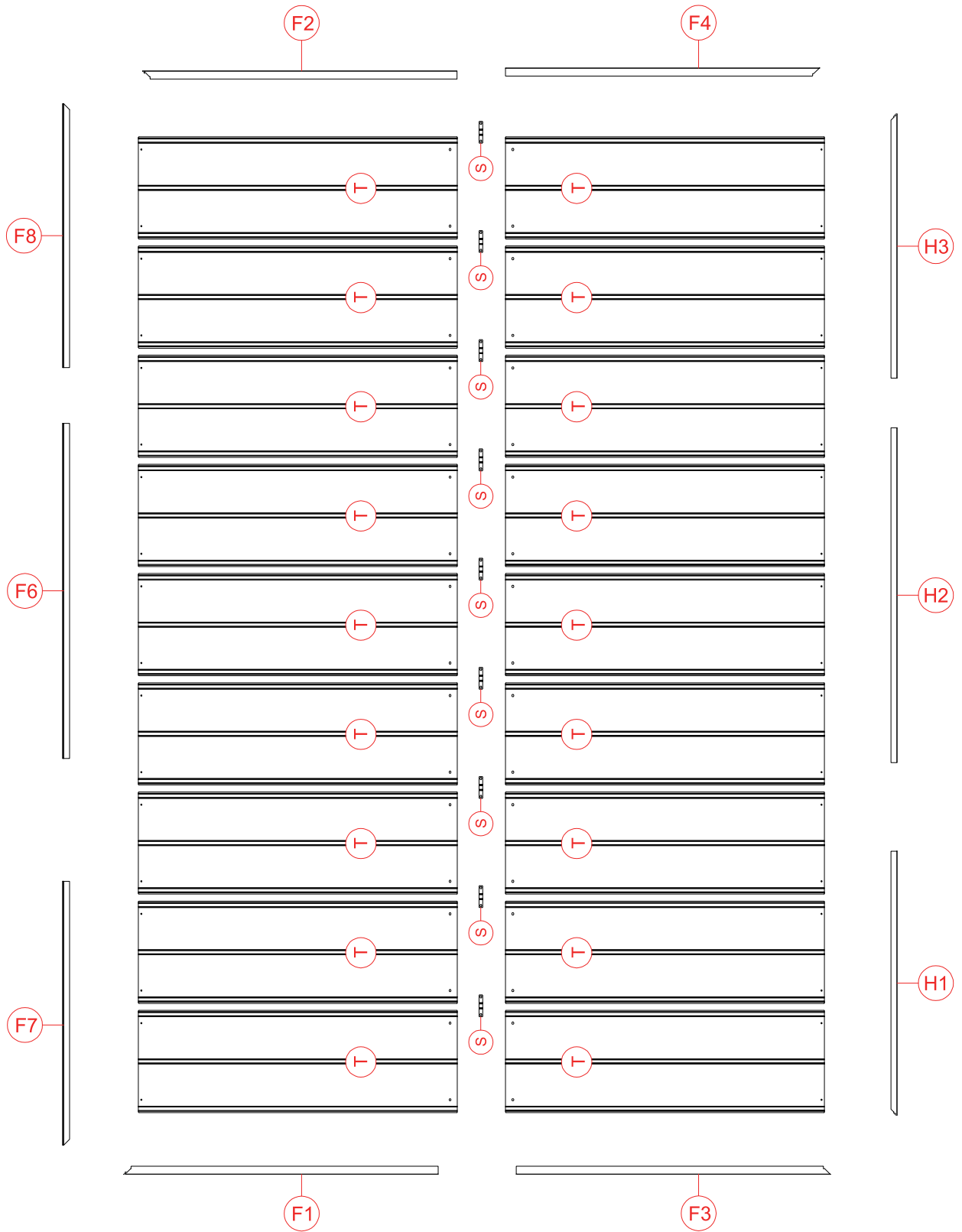
# FIRST PART



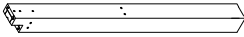
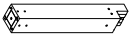
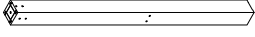
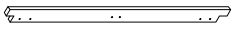
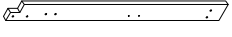
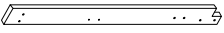
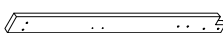
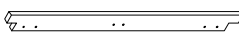
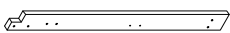
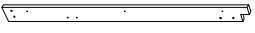
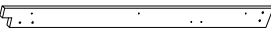
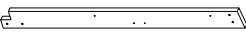
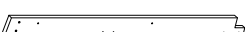


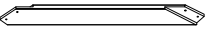

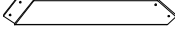
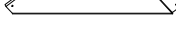


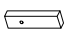
# SECOND PART












# THIRD PART




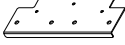


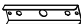
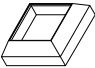

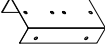



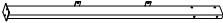



Parts List (Box 1)


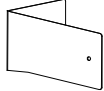
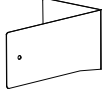
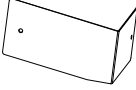
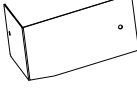
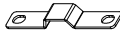
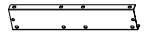
<p>30</p> 	<p>31</p> 	<p>32</p> 	<p>34</p> 	<p>35</p> 
<p>x2</p>	<p>x2</p>	<p>x2</p>	<p>x1</p>	<p>x1</p>
<p>36</p> 	<p>37</p> 	<p>38</p> 	<p>39</p> 	<p>40</p> 
<p>x1</p>	<p>x1</p>	<p>x1</p>	<p>x1</p>	<p>x1</p>
<p>41</p> 	<p>42</p> 	<p>43</p> 	<p>44</p> 	<p>45</p> 
<p>x1</p>	<p>x1</p>	<p>x1</p>	<p>x2</p>	<p>x1</p>
<p>46</p> 	<p>47</p> 	<p>48</p> 	<p>49</p> 	<p>50</p> 
<p>x1</p>	<p>x1</p>	<p>x1</p>	<p>x2</p>	<p>x4</p>
<p>51</p> 	<p>52</p> 			
<p>x2</p>	<p>x4</p>			

Parts List (Box 2)

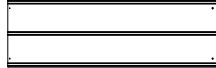
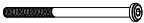
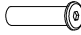



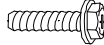






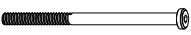


<b>E2</b> 	<b>E3</b> 	<b>E4</b> 	<b>F1</b> 	<b>F2</b> 
<b>×3</b>	<b>×8</b>	<b>×2</b>	<b>×1</b>	<b>×1</b>
<b>F3</b> 	<b>F4</b> 	<b>F6</b> 	<b>H2</b> 	
<b>×1</b>	<b>×1</b>	<b>×1</b>	<b>×1</b>	


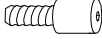







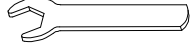

Parts List (Box 3)

<b>B1</b> 	<b>B2</b> 	<b>B3</b> 	<b>B4</b> 	<b>B5</b> 
<b>×6</b>	<b>×6</b>	<b>×3</b>	<b>×3</b>	<b>×5</b>
<b>C1</b> 	<b>C2</b> 	<b>C3</b> 	<b>E1</b> 	<b>F7</b> 
<b>×4</b>	<b>×4</b>	<b>×4</b>	<b>×3</b>	<b>×1</b>
<b>F8</b> 	<b>G1</b> 	<b>G2</b> 	<b>G3</b> 	<b>H1</b> 
<b>×1</b>	<b>×1</b>	<b>×1</b>	<b>×2</b>	<b>×1</b>

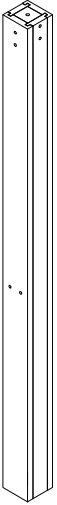
<b>H3</b> 	<b>H5</b> 	<b>H6</b> 	<b>H7</b> 	<b>H8</b> 
×1	×1	×1	×1	×1
<b>S</b> 	<b>Y1</b> 			
×8	×4			

Parts List (Box 4)

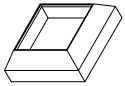
<b>T</b> 				
×18				
<b>AA</b>  M6x110	<b>BB</b>  M6x20	<b>CC</b>  M6x25	<b>DD</b>  M6	<b>EE</b>  M6x35
×16+1	×52+3	×36+2	×6+1	×12+1
<b>FF</b>  M6x20	<b>GG</b>  M6x15	<b>H4</b>  M5x25	<b>H5</b>  M6	<b>H7</b>  M5x40
×18+2	×62+5	×44+3	×38+5	×4+1
<b>H8</b>  M5x35	<b>H9</b>  M8	<b>JJ</b>  M8x170	<b>KK</b>  M6	<b>QQ</b>  M6x55
×32+5	×48+5	×16+1	×18+2	×6+1

<p>(LL)</p>  <p>M8</p>	<p>(HH)</p>  <p>M6x35</p>	<p>(NN)</p>  <p>M8</p>	<p>(RR)</p>  <p>M4x16</p>	<p>(II)</p>  <p>M8x130</p>
<p>×20+2</p>	<p>×15+2</p>	<p>×4+2</p>	<p>×74+8</p>	<p>×4+1</p>
<p>(UU)</p>  <p>M6x80</p>	<p>(PP)</p>  <p>D8x180</p>	<p>(Z1)</p>  <p>M6</p>	<p>(Z2)</p>  <p>M6</p>	<p>(Z3)</p>  <p>M8</p>
<p>×8</p>	<p>×8</p>	<p>×2</p>	<p>×2</p>	<p>×2</p>
<p>(Z4)</p>  <p>M8</p>				
<p>×2</p>				

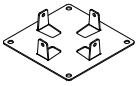
1



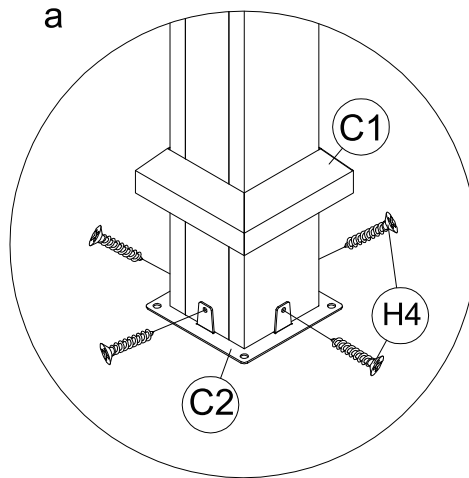
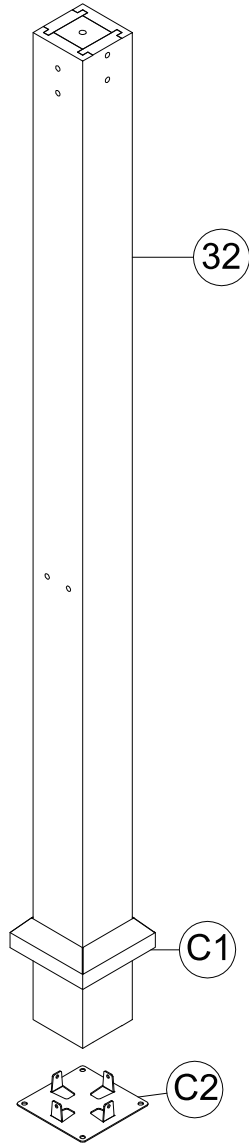
(32) x2



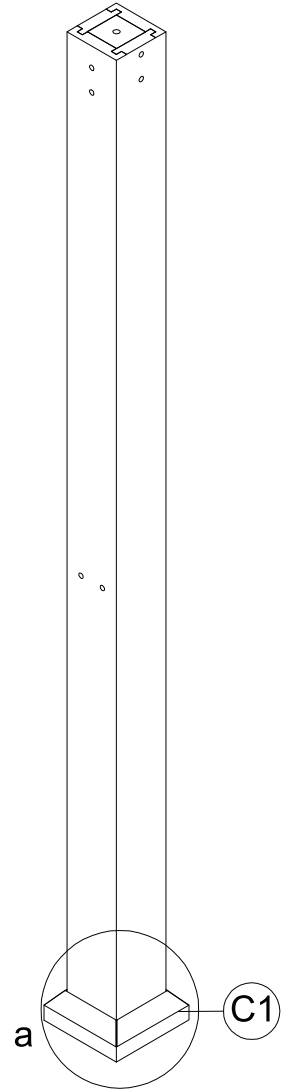
(C1) x2



(C2) x2



x2



First, insert (C1) into the bottom of (32), then insert (C2) into the bottom of (32) and secure it with the locking screw (H4).

(H4) x8



M5x25

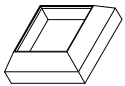
# 2



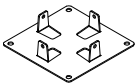
31 x2



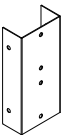
30 x2



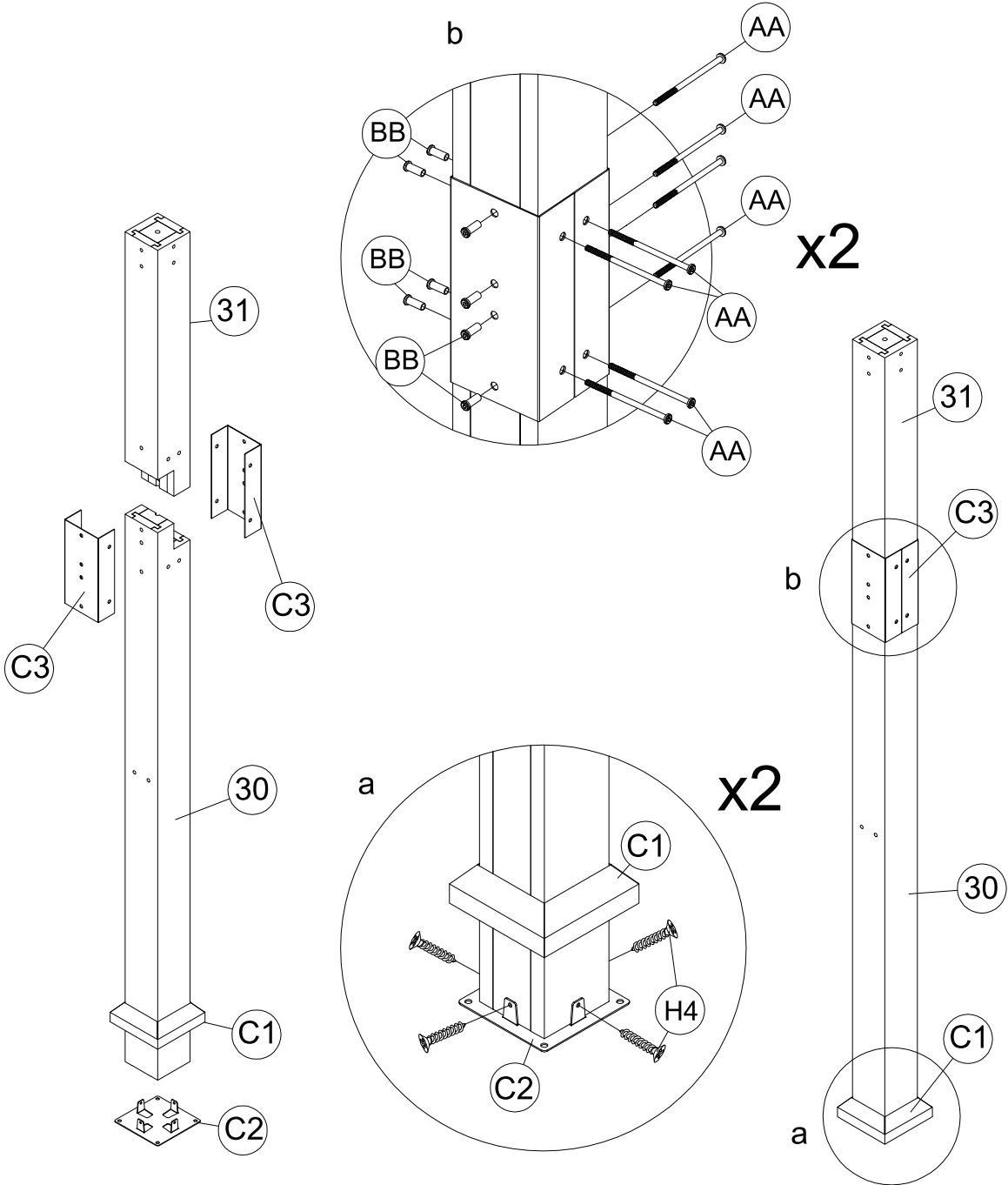
C1 x2



C2 x2



C3 x4



First, connect (31) and (30) using the (C3) locking screws (AA) and (BB).  
Finally, insert (C1) into the bottom of (30), then insert (C2) into the bottom of (30) and secure it with the locking screw (H4).

H4 x8



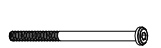
M5x25

BB x16



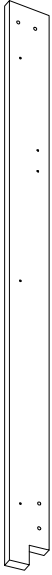
M6x20

AA x16

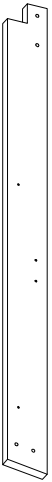


M6x110

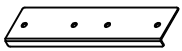
# 3



41 x1



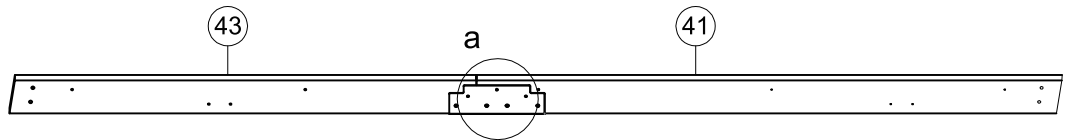
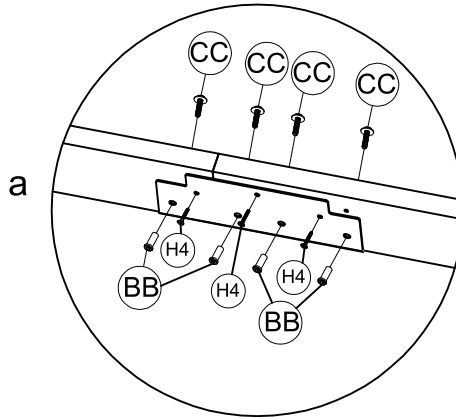
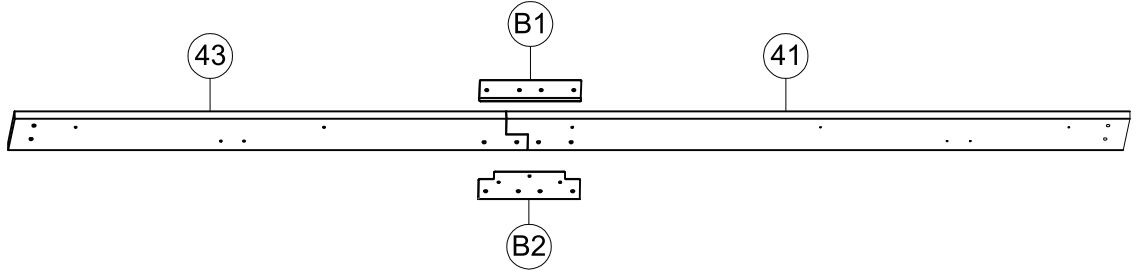
43 x1



B1 x1



B2 x1



As shown in the illustration, connect (41) and (43) using the (B1) and (B2) locking screws (CC), (BB), and (H4).

H4 x3



M5x25

BB x4



M6x20

CC x4



M6x25

# 4



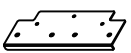
40 x1



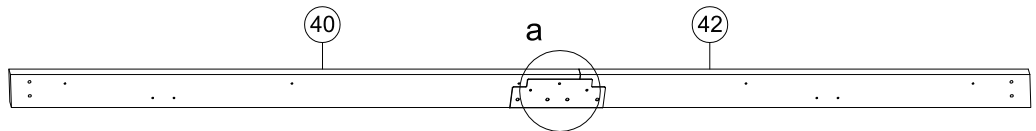
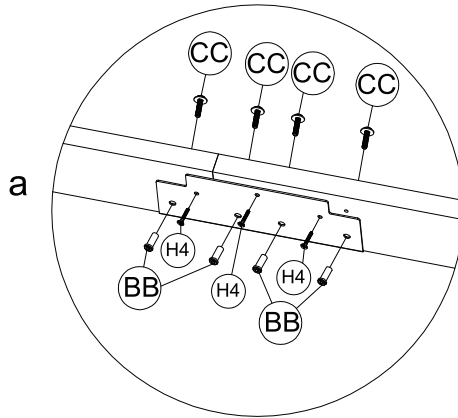
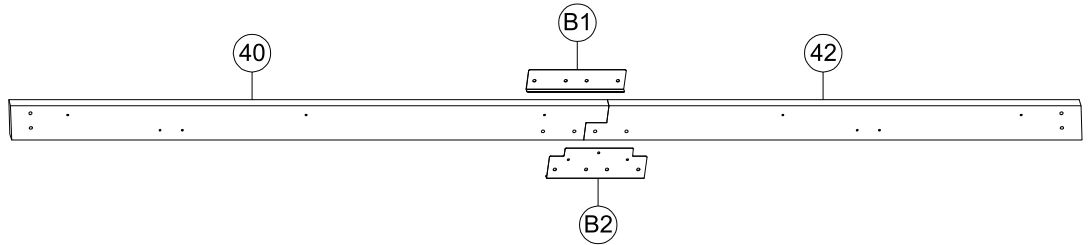
42 x1



B1 x1



B2 x1



As shown in the illustration, connect (40) and (42) using the (B1) and (B2) locking screws (CC), (BB), and (H4).

H4 x3



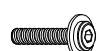
M5x25

BB x4



M6x20

CC x4



M6x25

**5**



**(B3)** x3



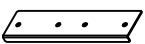
**(35)** x1



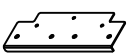
**(34)** x1



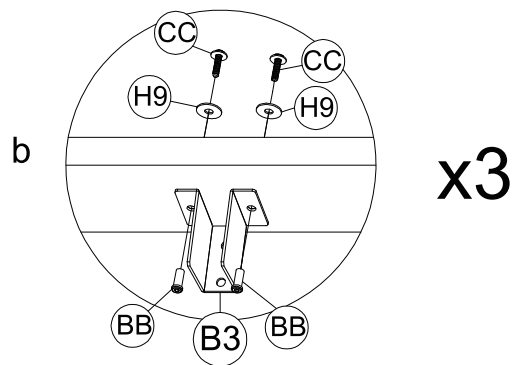
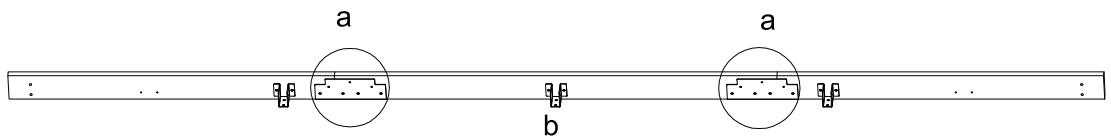
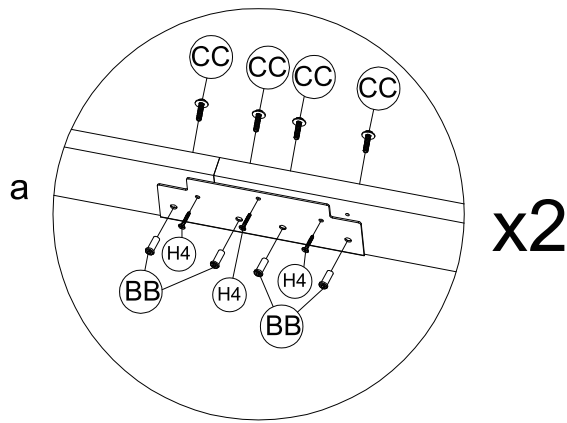
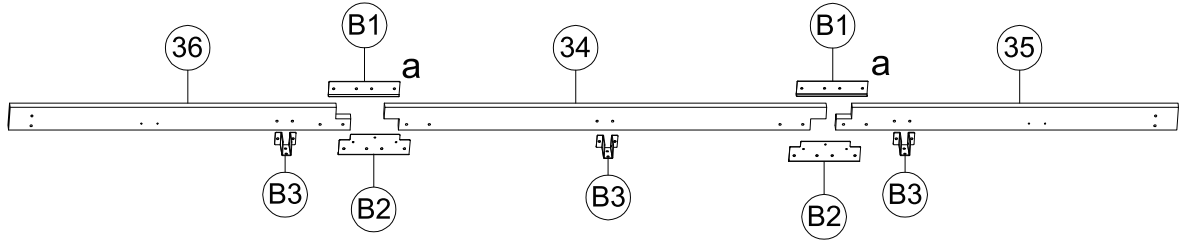
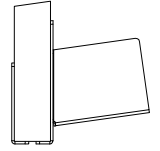
**(36)** x1



**(B1)** x2



**(B2)** x2



As shown in the illustration, first connect (36), (34), and (35) using the (B1) and (B2) locking screws (CC), (BB), and (H4). Then secure (B3) to the crossbeam using the locking screws (CC), (BB), and (H9).

<p><b>(H9)</b> x6</p> <p><b>M8</b></p>	<p><b>(H4)</b> x6</p> <p><b>M5x25</b></p>	<p><b>(BB)</b> x14</p> <p><b>M6x20</b></p>	<p><b>(CC)</b> x14</p> <p><b>M6x25</b></p>
--	---	--	--

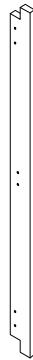
**6**



**(B4)** x3



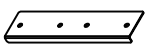
**(39)** x1



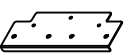
**(38)** x1



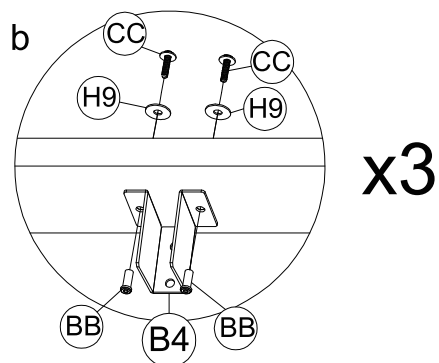
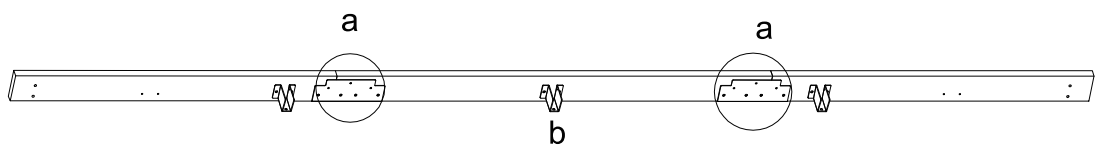
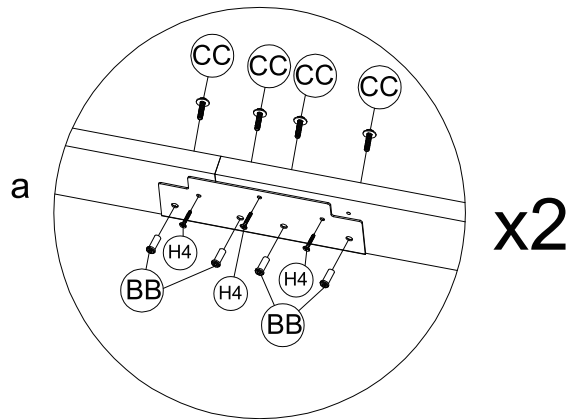
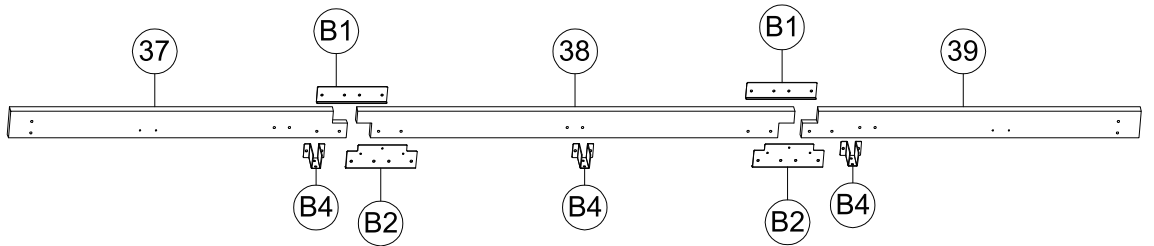
**(37)** x1



**(B1)** x2



**(B2)** x2



As shown in the illustration, first connect (37), (38), and (39) using the (B1) and (B2) locking screws (CC), (BB), and (H4). Then secure (B4) to the crossbeam using the locking screws (CC), (BB), and (H9).

**(H9)** x6



M8

**(H4)** x6



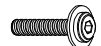
M5x25

**(BB)** x14

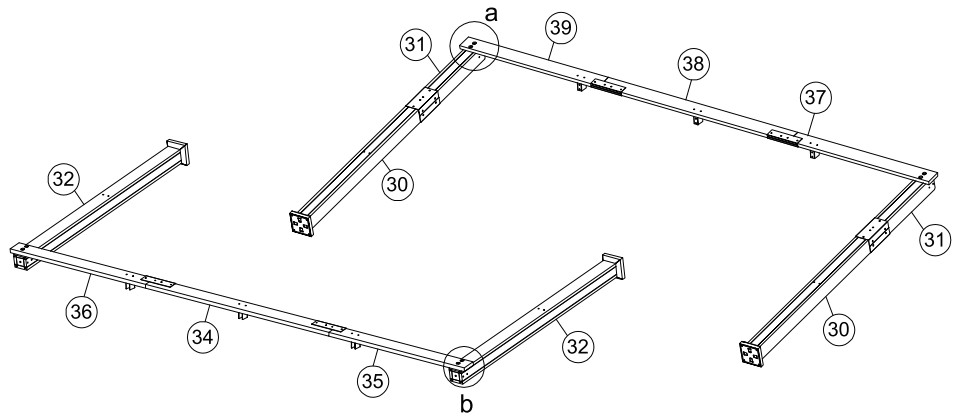
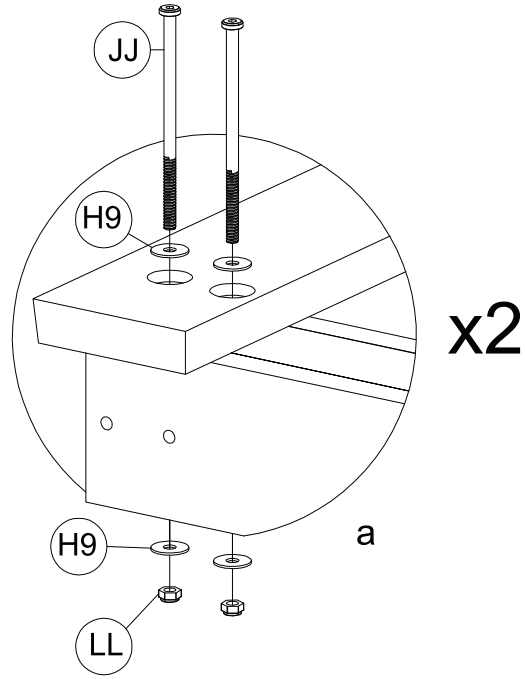


M6x20

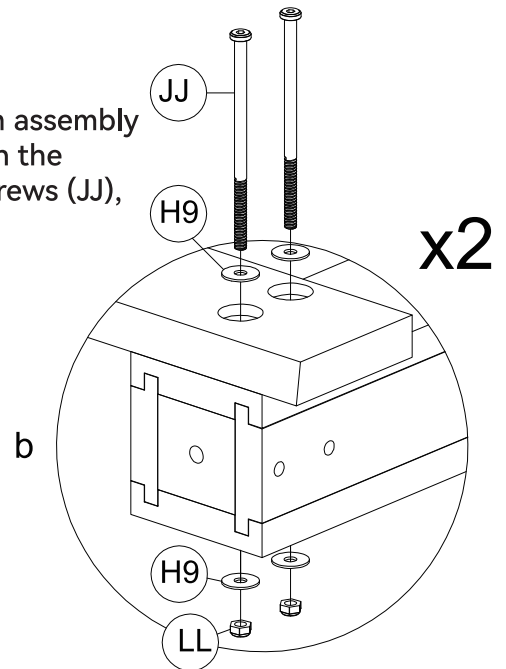
**(CC)** x14






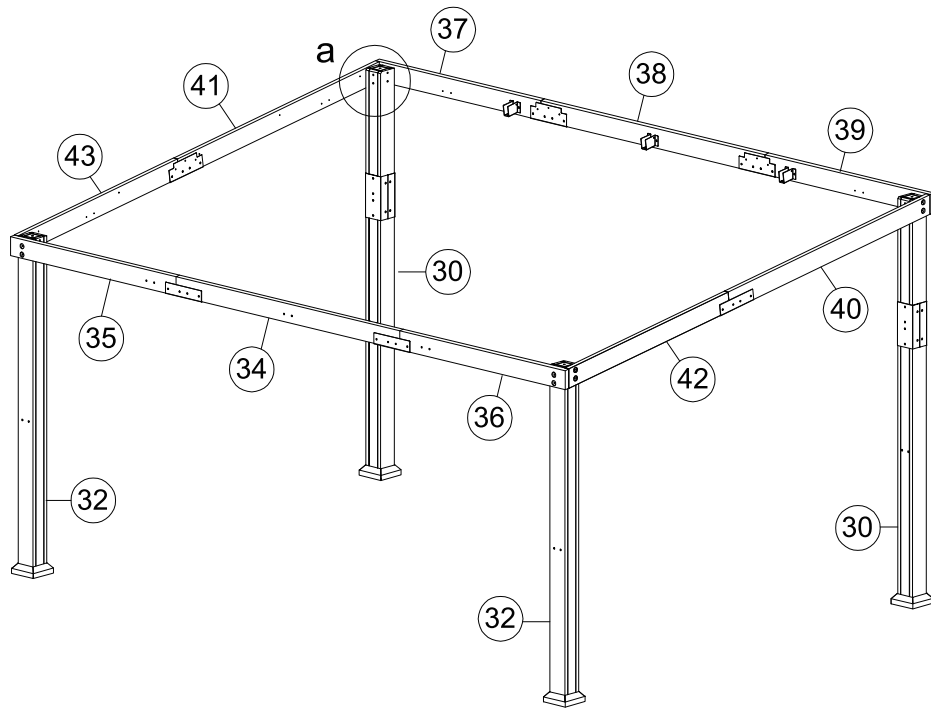
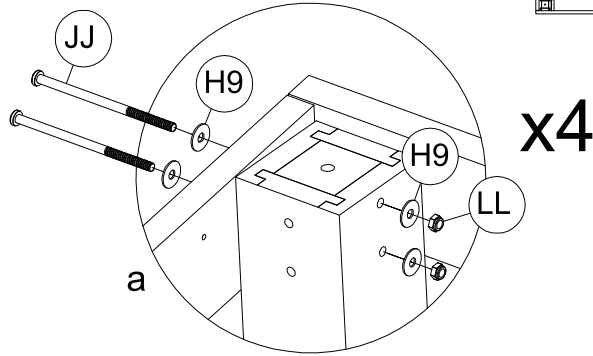
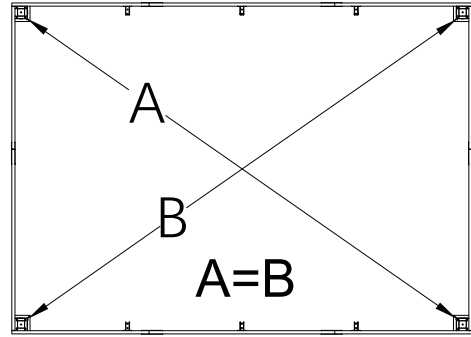
M6x25






As shown in the illustration, align the crossbeam assembly completed in Step 5 and Step 6 with the holes in the upright posts, then secure it with the locking screws (JJ), (H9), and (LL).



<p>(LL) x8</p>  <p>M8</p>	<p>(H9) x16</p>  <p>M8</p>	<p>(JJ) x8</p>  <p>M8x170</p>
--	---	--



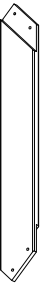
As shown in the illustration, align (40) and (43) with the holes and secure them with the locking screws (JJ), (H9), and (LL). Then align (41) and (42) with the holes and secure them with the locking screws (JJ), (H9), and (LL).

<p>LL x8</p>  <p>M8</p>	<p>H9 x16</p>  <p>M8</p>	<p>JJ x8</p>  <p>M8x170</p>
--	---	--

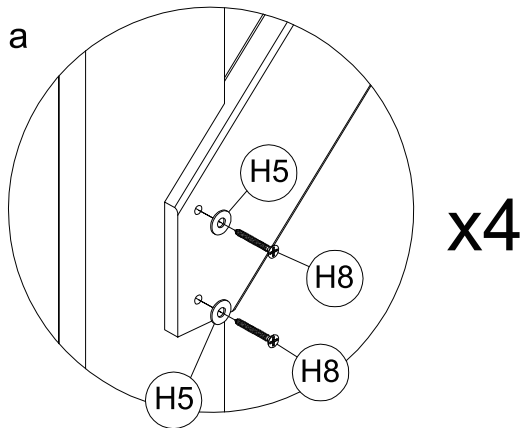
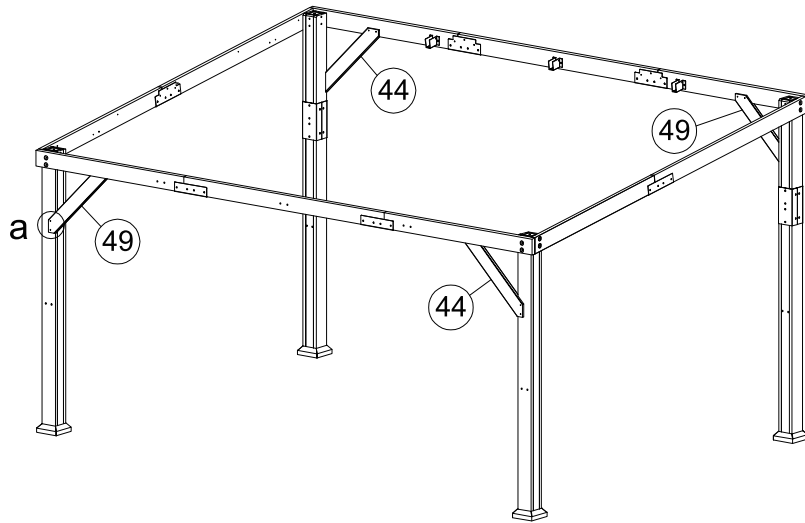
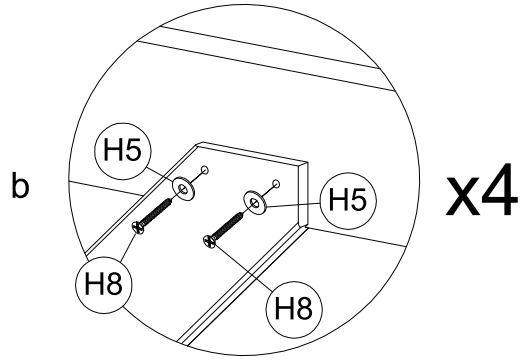
9



49 x2

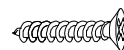


44 x2



As shown in the illustration, align (49) and (44) with the holes and secure them with the locking screws (H8) and (H5).

H8 x16



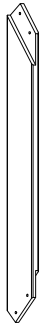
M5x35

H5 x16



M6

10



45 x1



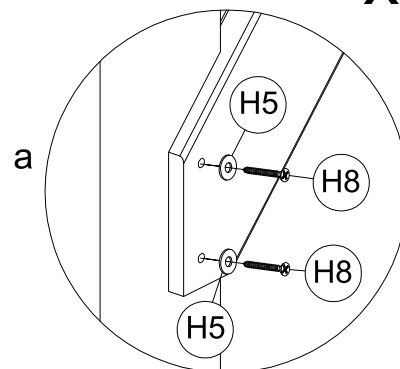
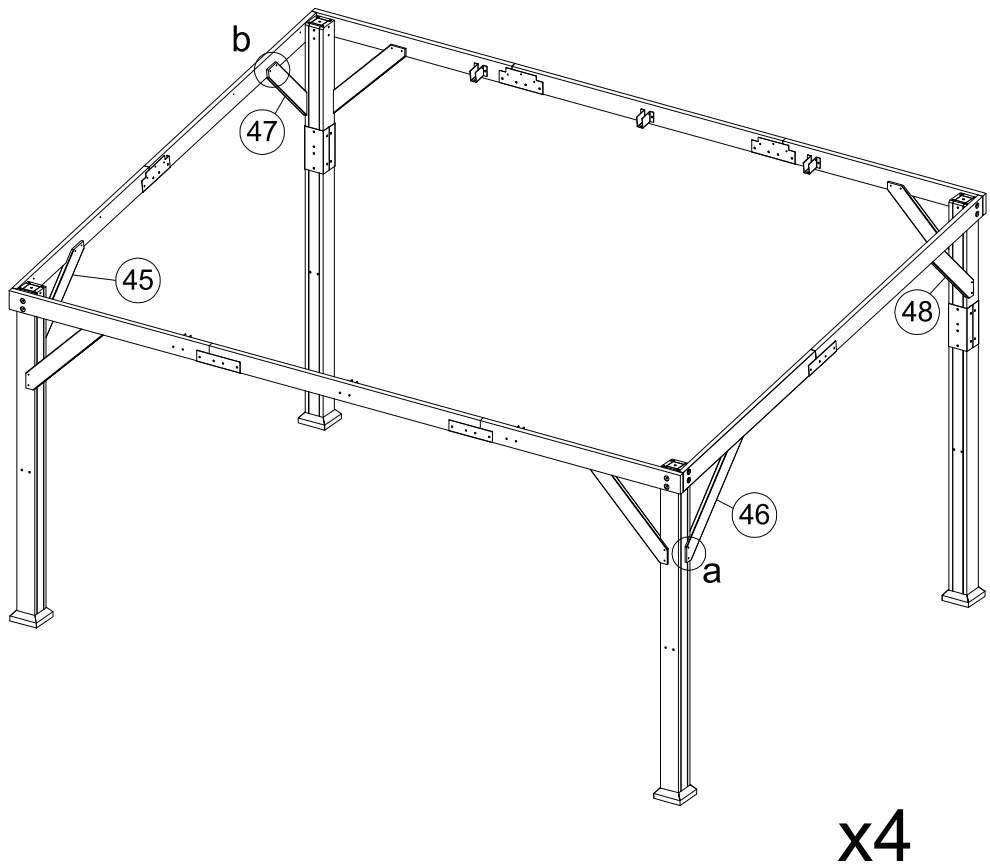
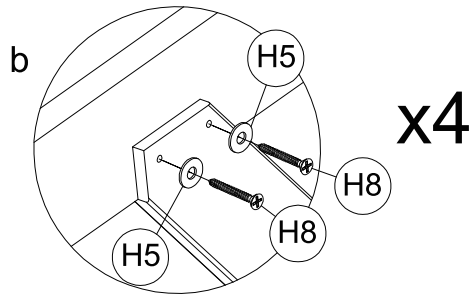
46 x1



47 x1



48 x1



As shown in the illustration, align (45), (46), (47), and (48) with the holes and secure them with the locking screws (H8) and (H5).

H8 x16



M5x35

H5 x16



M6

# 11



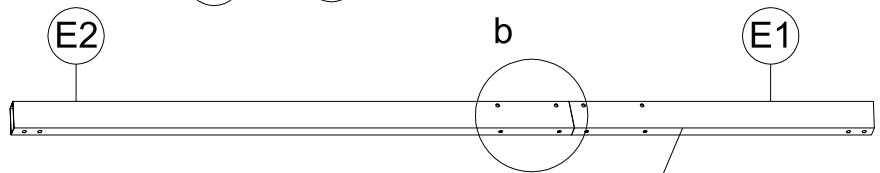
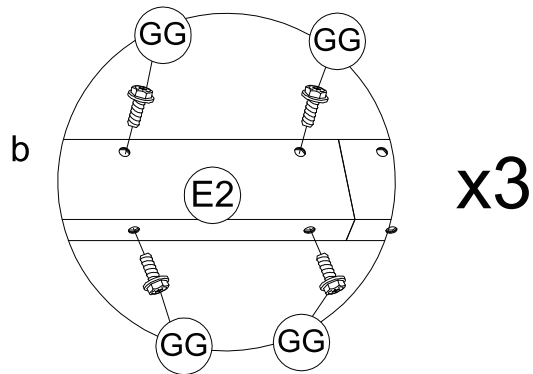
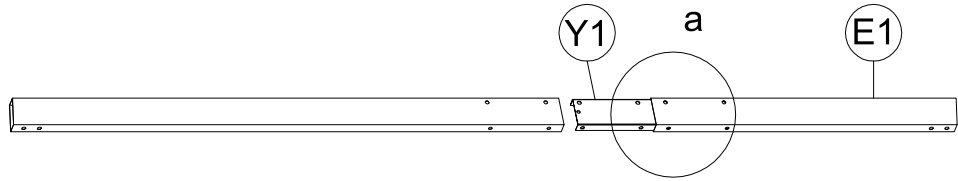
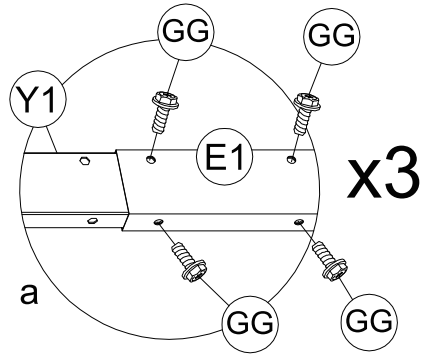
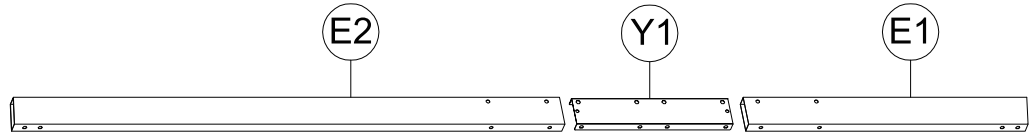
(E1) x3



(E2) x3



(Y1) x3



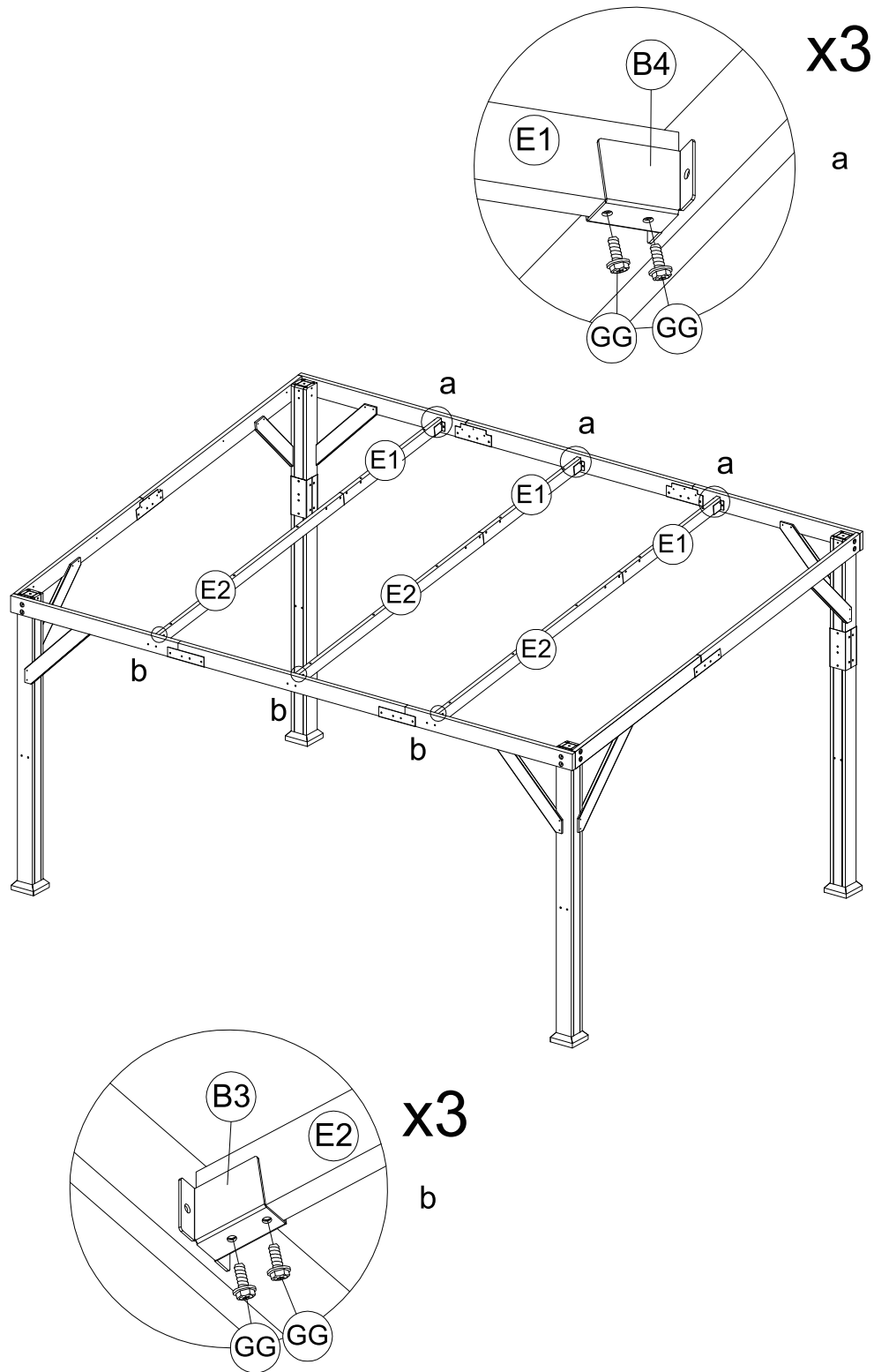
x3

As shown in the illustration, connect (E1) and (E2) using the (Y1) locking screws (GG).

(GG) x24



M6x15



As shown in the illustration, connect (E1) and (E2) to (B3) and (B4) using the locking screws (GG).

GG x12



M6x15

# 13



(E3) x8



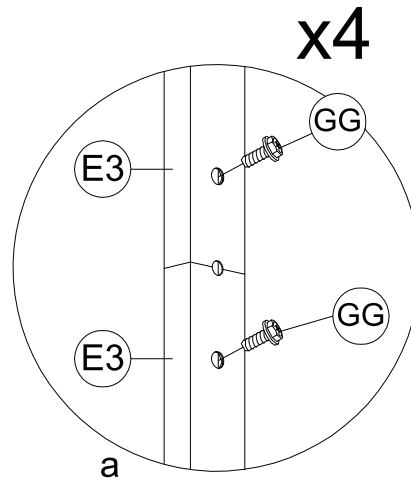
(B5) x4



(E3)

(B5)

(E3)



x4

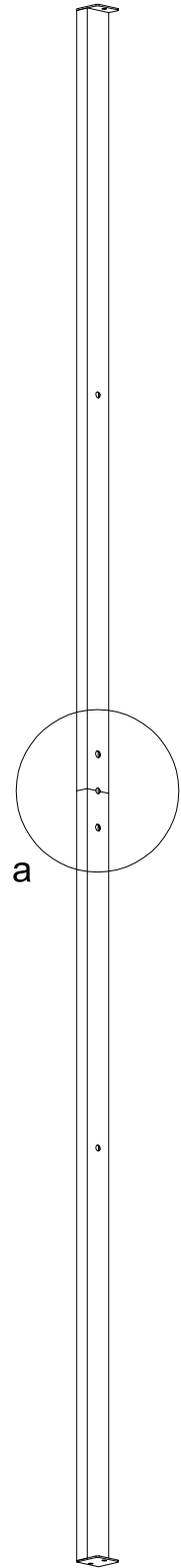
(E3)

(GG)

(E3)

(GG)

a



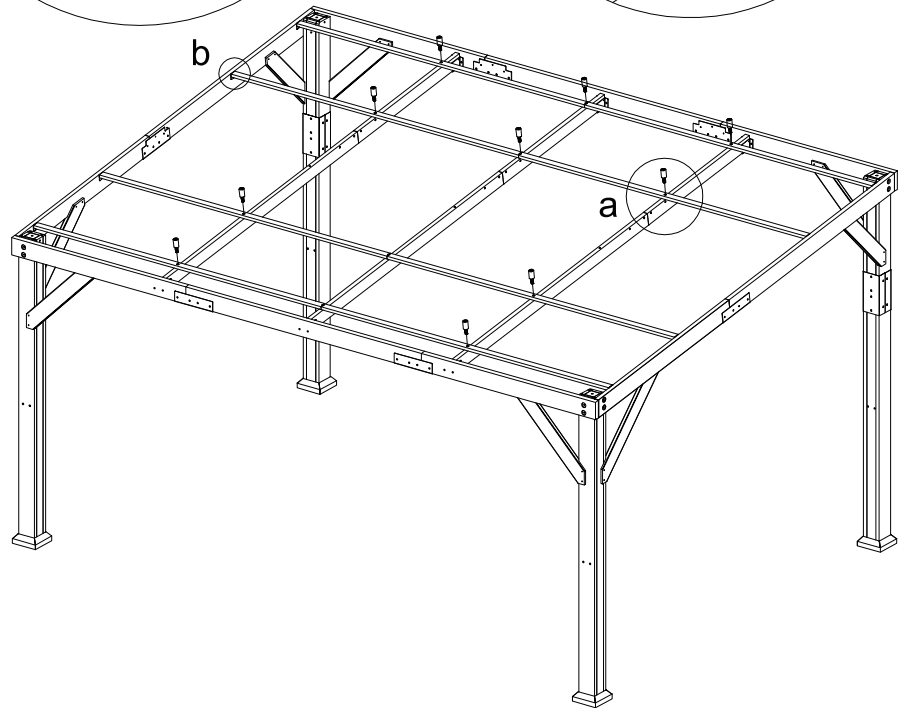
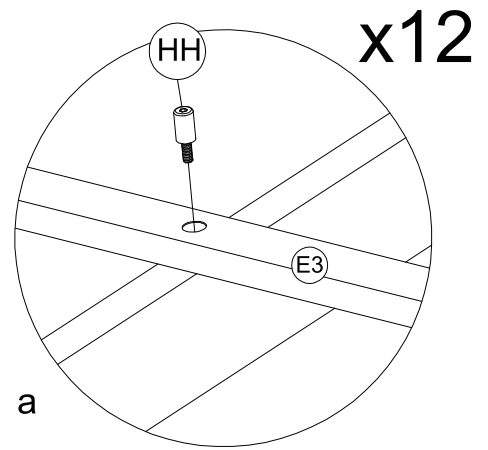
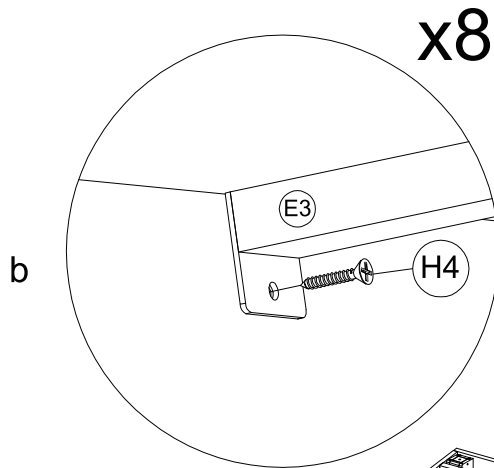
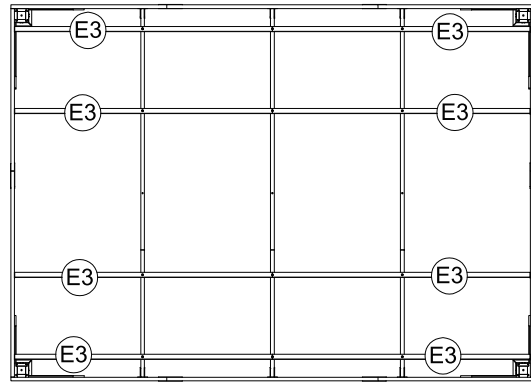
a

As shown in the illustration, connect (E3) using the (B5) locking screw (GG).



(GG) x8



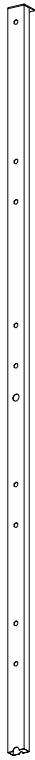
M6x15



As shown in the illustration, secure (E3) with the locking screws (HH) and (H4).

<p>(H4) x8</p>  <p>M5x25</p>	<p>(HH) x12</p>  <p>M6x35</p>
---	--

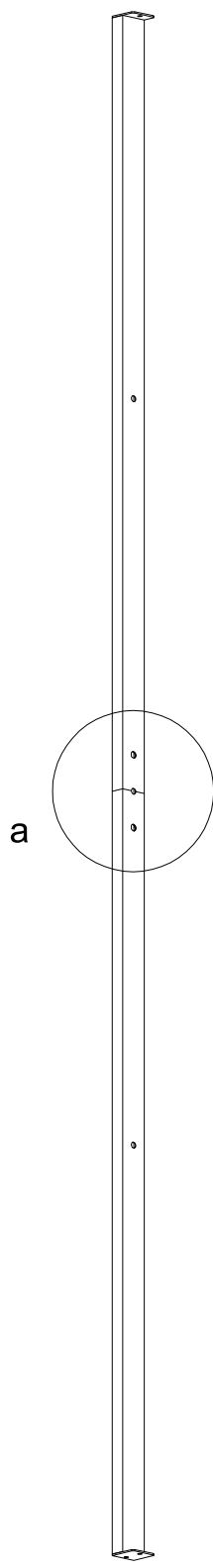
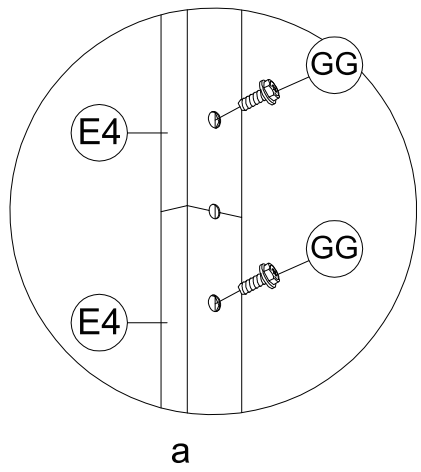
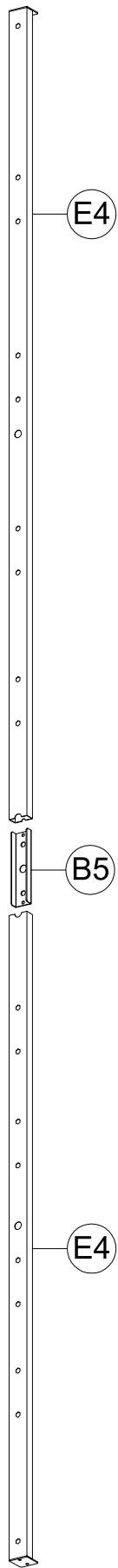
# 15



(E4) x2



(B5) x1

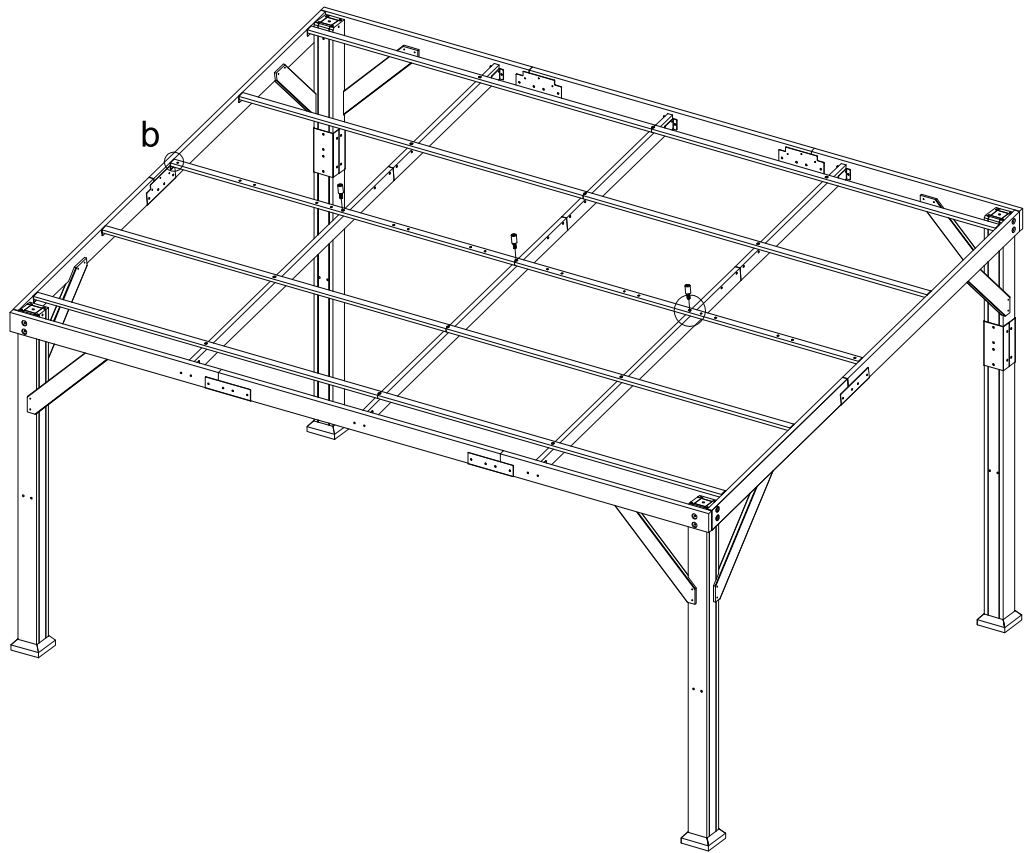
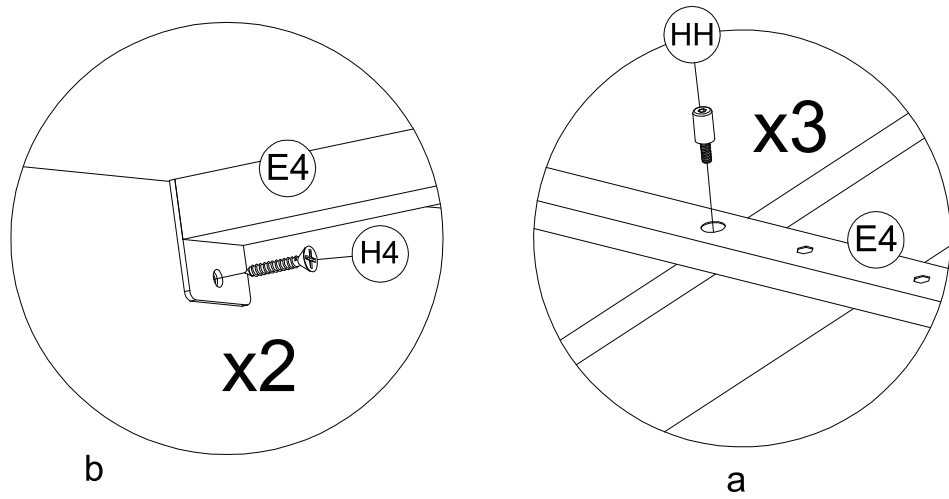


As shown in the illustration, connect (E4) using the (B5) locking screw (GG).

(GG) x2



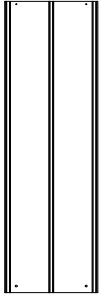
M6x15



As shown in the illustration, secure (E4) with the locking screws (HH) and (H4).

<p>(H4) x2</p> <p>M5x25</p>	<p>(HH) x3</p> <p>M6x35</p>
-----------------------------	-----------------------------

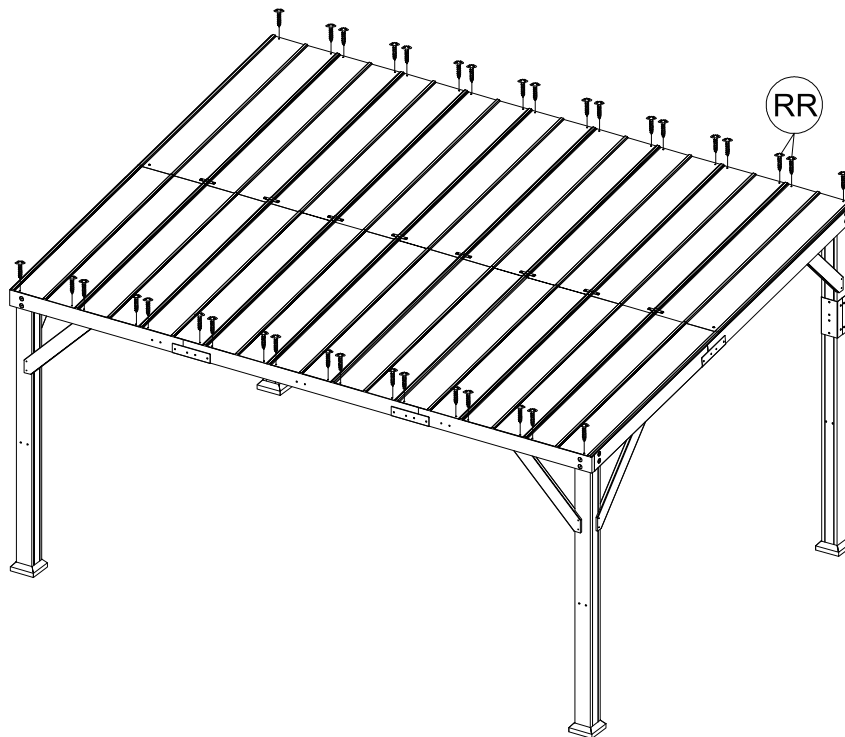
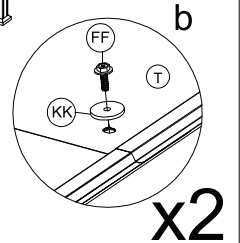
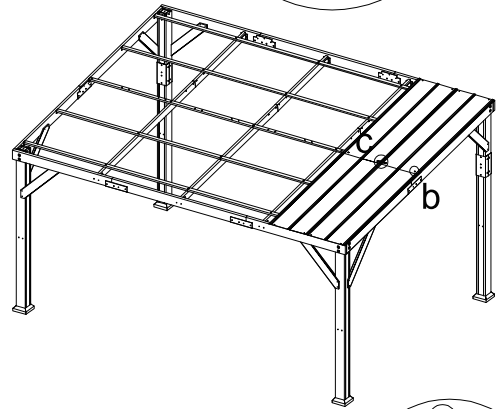
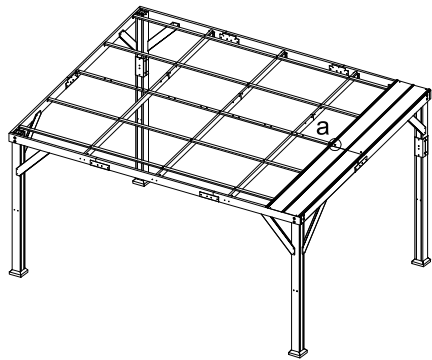
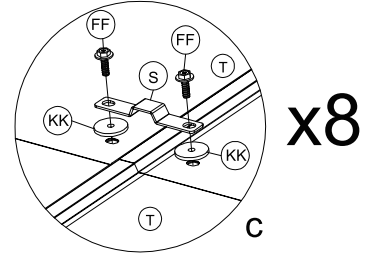
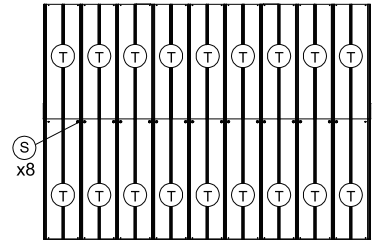
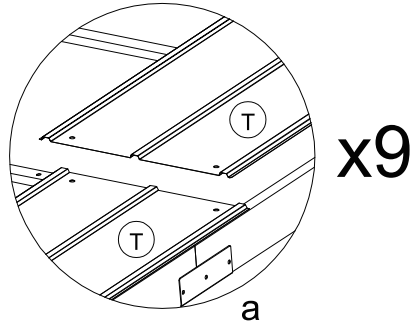
# 17



(T) x18



(S) x8



As shown in the illustration, stack and assemble (T) from bottom to top, and secure it with the (S) locking screws (FF), (KK), and (RR).

(KK) x18



M6

(RR) x36



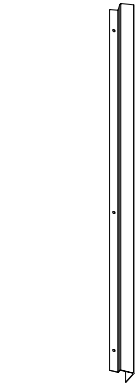
M4x16

(FF) x18

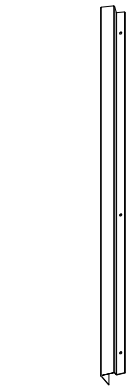


M6x20

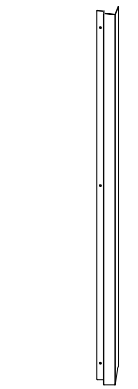
18



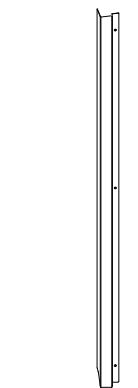
(F1) x1



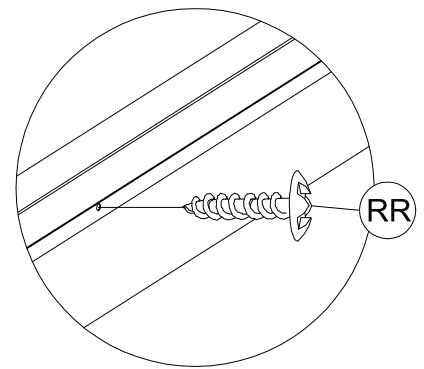
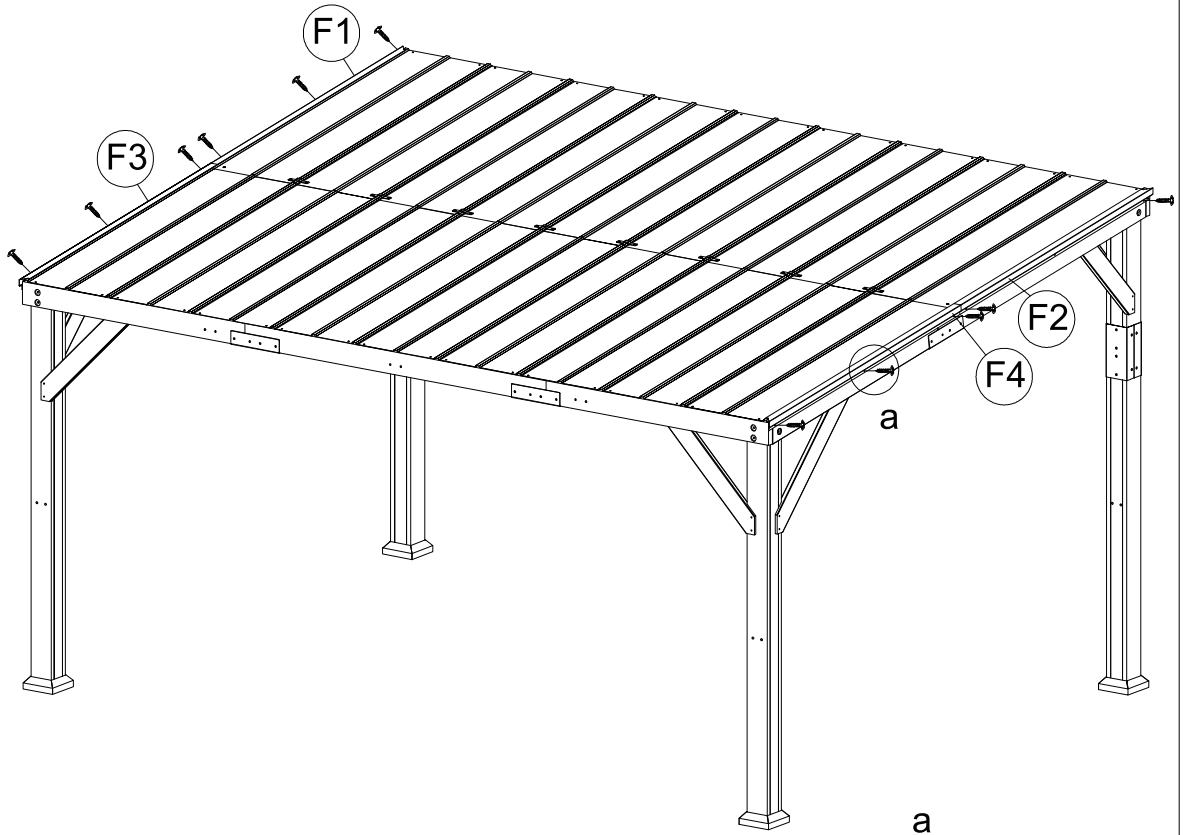
(F2) x1



(F3) x1



(F4) x1



x4

As shown in the illustration, secure (F1), (F2), (F3), and (F4) with the locking screw (RR).

(RR) x12



M4x16

19



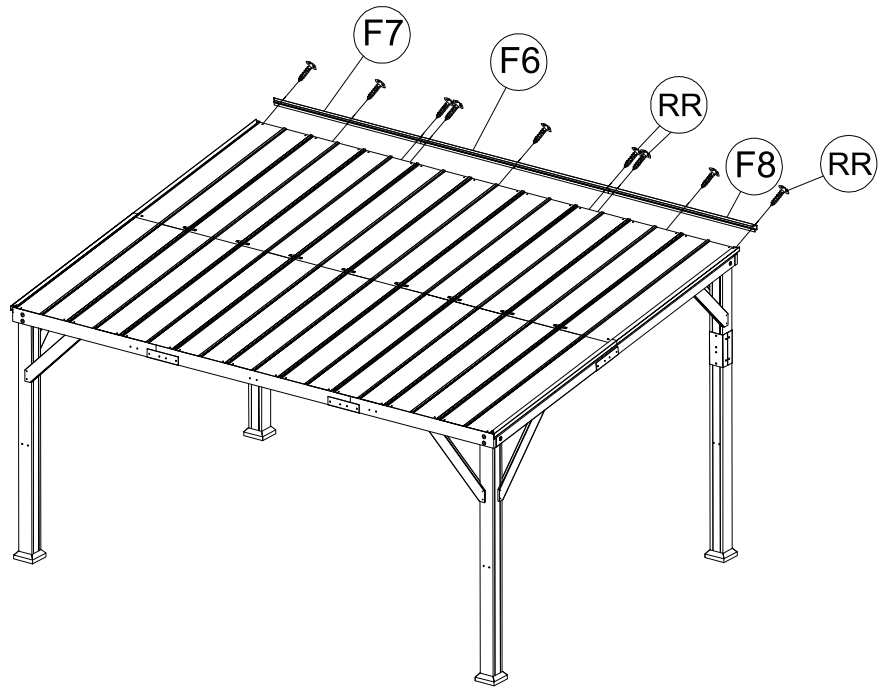
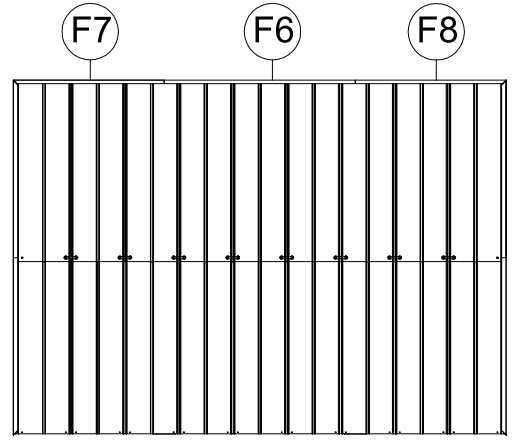
(F7) x1



(F6) x1



(F8) x1



As shown in the illustration, secure (F7), (F6), and (F8) with the locking screw (RR).

(RR) x9



M4x16

20



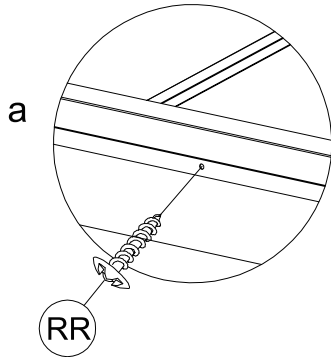
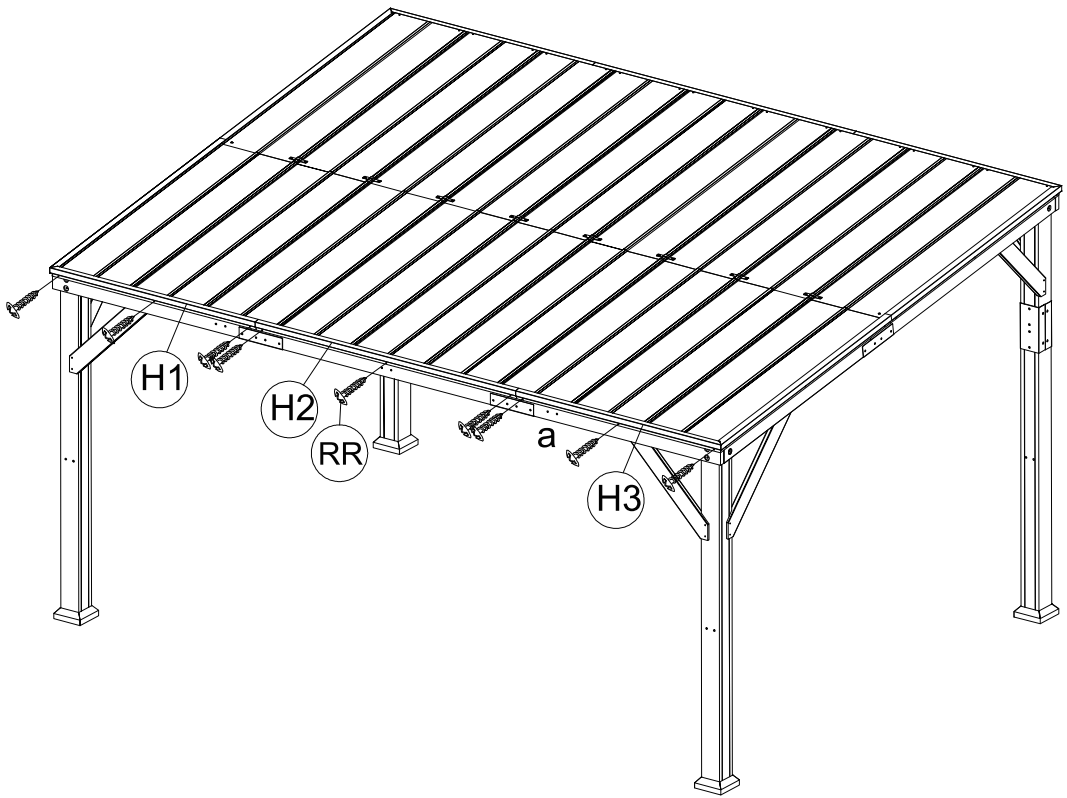
(H1) x1



(H2) x1



(H3) x1



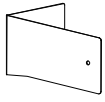
As shown in the illustration, secure (H1), (H2), and (H3) with the locking screw (RR).

(RR) x9

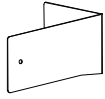


M4x16

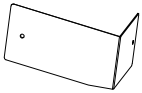
21



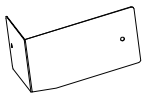
H5 x1



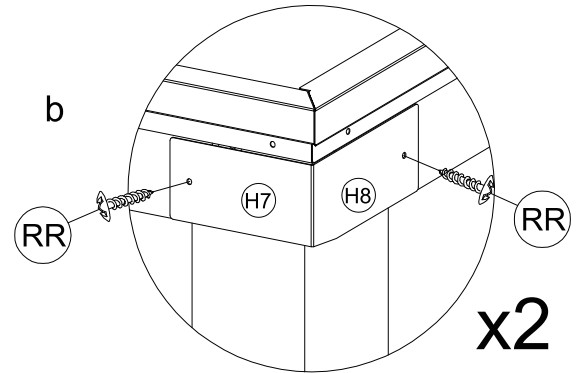
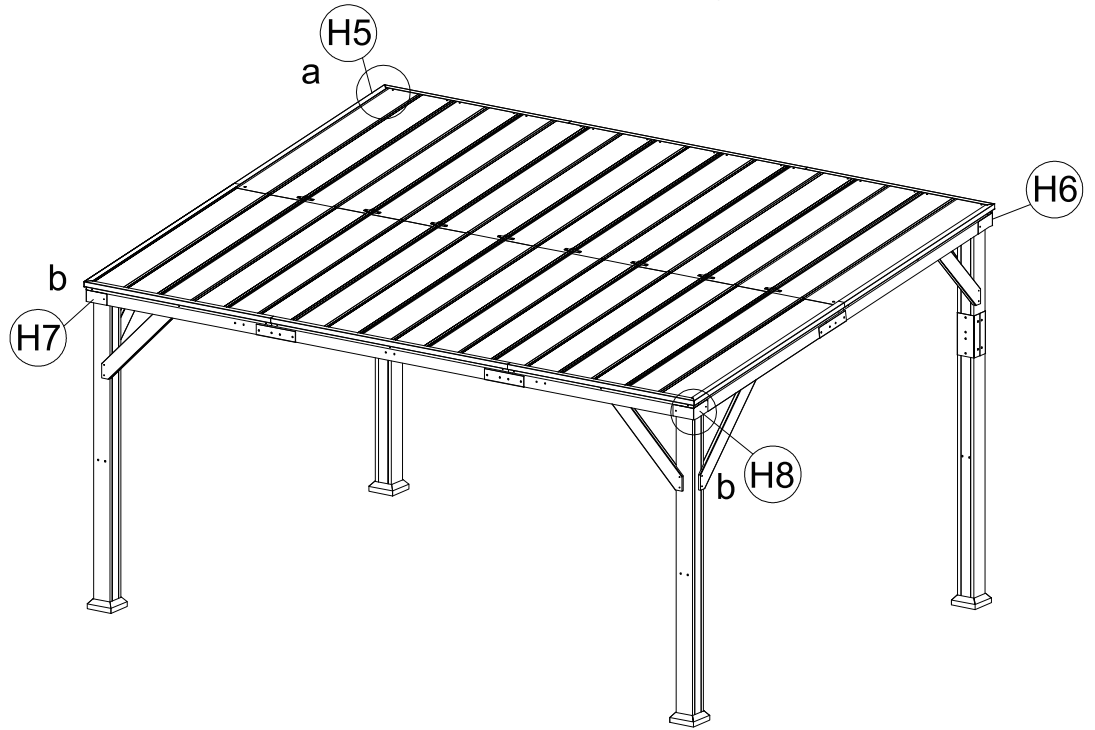
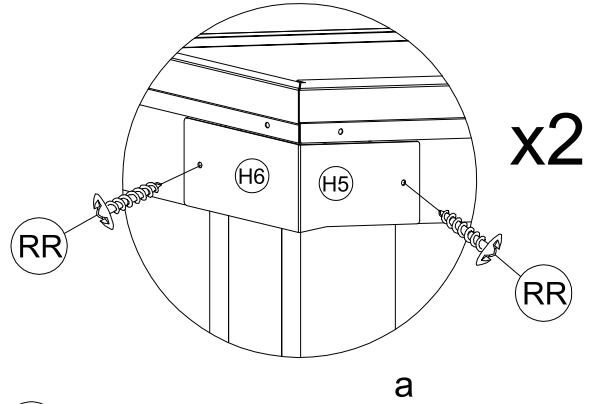
H6 x1



H7 x1



H8 x1



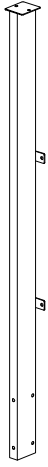
As shown in the illustration, secure (H5), (H6), (H7), and (H8) with the locking screw (RR).

RR x8

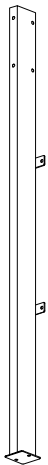


M4x16

# 22



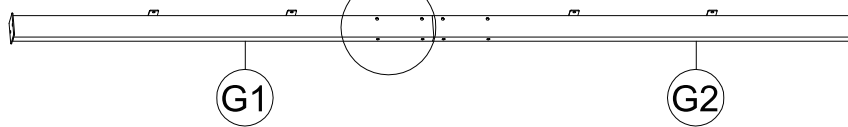
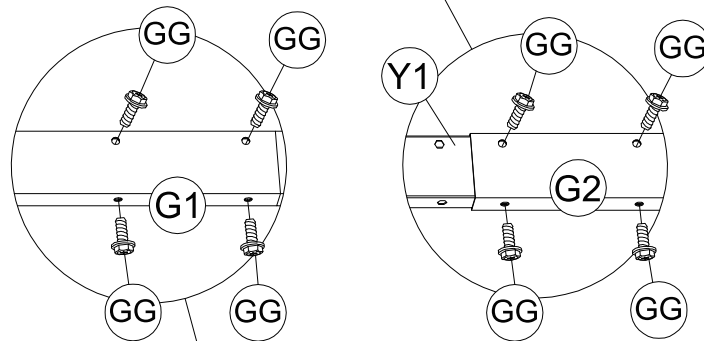
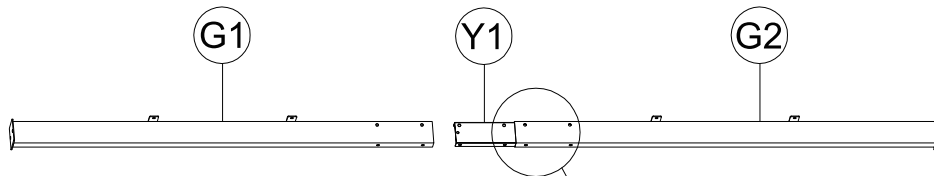
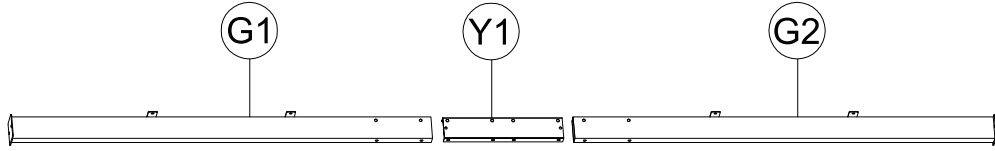
G1 x1



G2 x1



Y1 x1

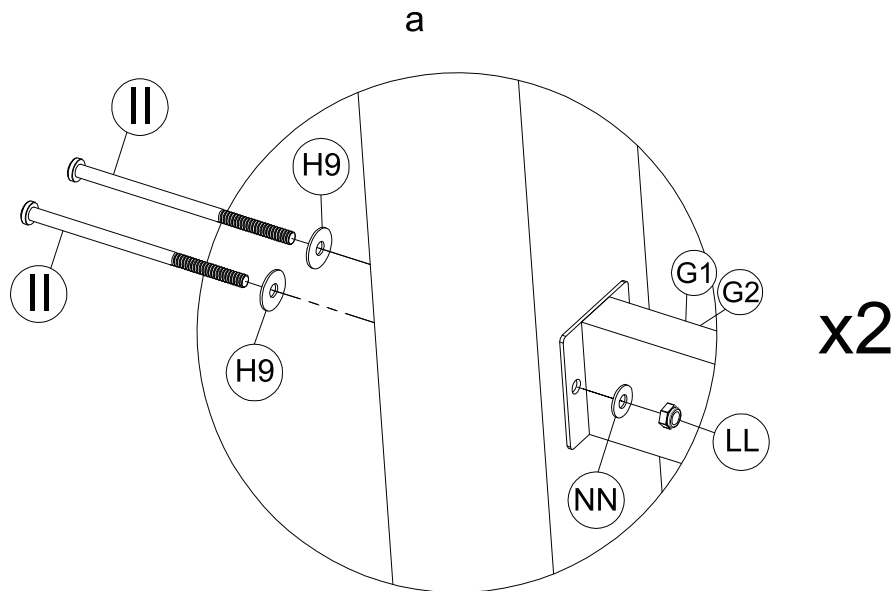
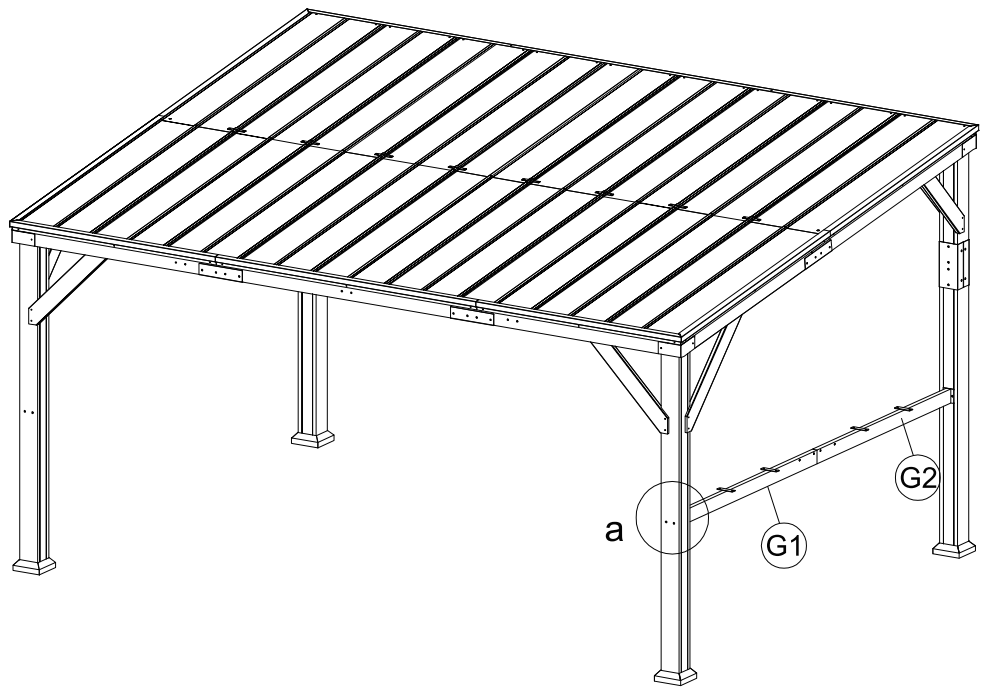


As shown in the illustration, connect (G1) and (G2) using the (Y1) locking screw (GG).




GG x8



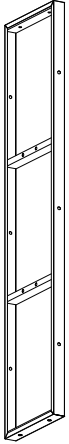
M6x15



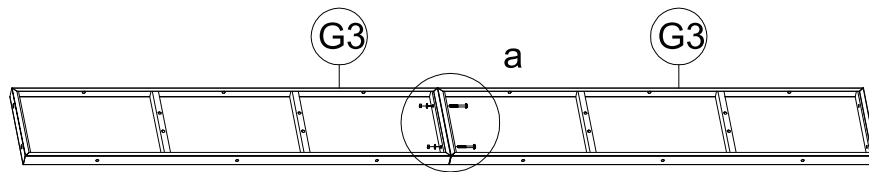
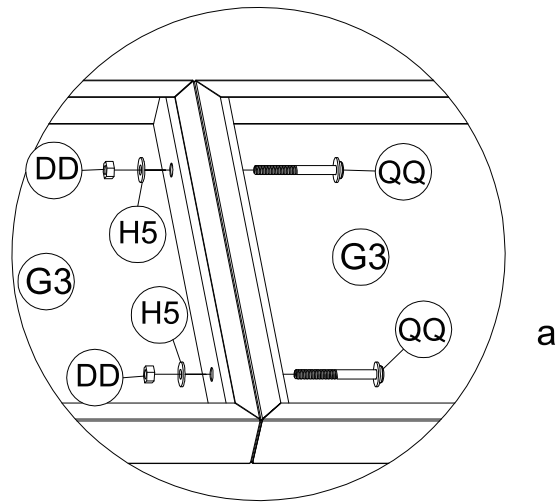
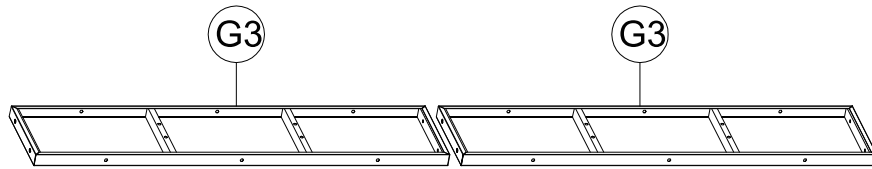
As shown in the illustration, align (G1) and (G2) with the holes in the upright posts and secure them with the locking screws (II), (H9), (NN), and (LL).

<p>(NN) x4</p>  <p>M8</p>	<p>(LL) x4</p>  <p>M8</p>	<p>(H9) x4</p>  <p>M8</p>	<p>(II) x4</p>  <p>M8x130</p>
--	--	--	--

# 24



G3 x2



As shown in the illustration, align (G3) with (G3) at the holes and connect them using the locking screws (QQ), (DD), and (H5).

DD x2



M6

H5 x2

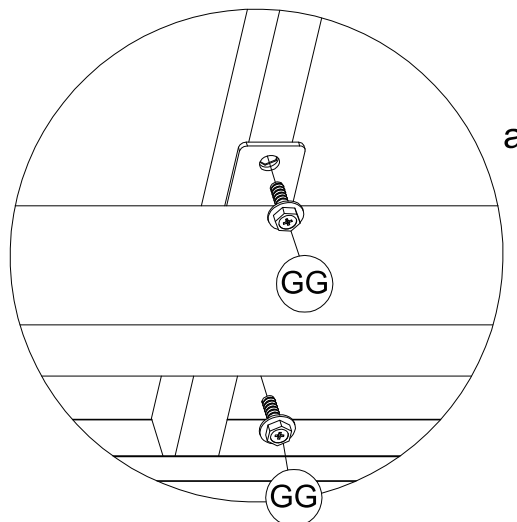
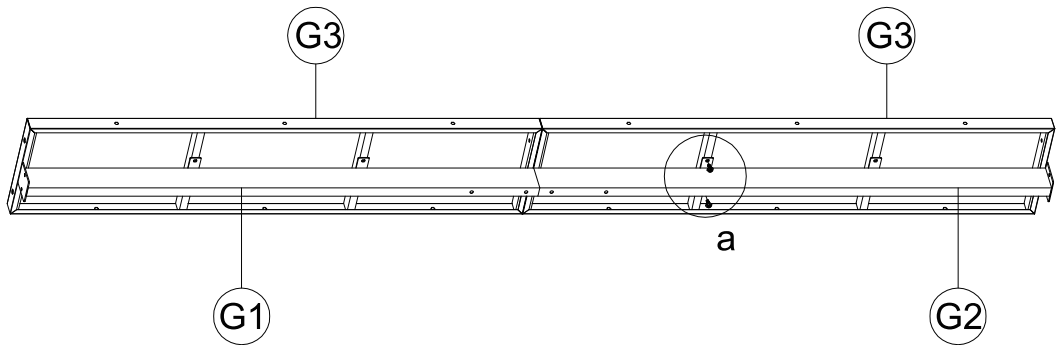
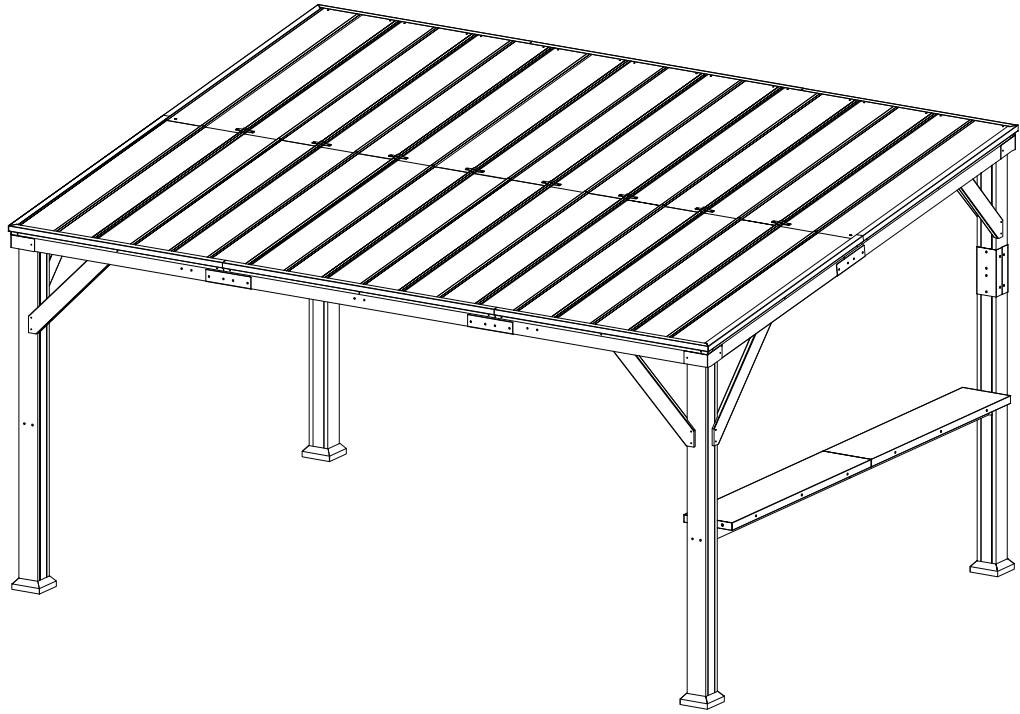


M6

QQ x2



M6x55



GG x8



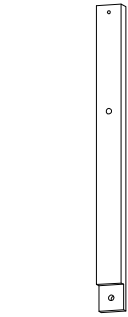
M6x15

As shown in the illustration, align (G3) with the holes of (G1) and (G2), and connect them using the locking screw (GG).

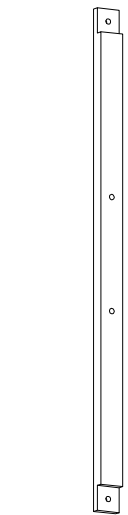
# 26

As shown in the illustration, first align (50) and (51) with the holes in (G3) and connect them using the locking screw (EE).

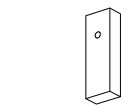
Then, align (52) with the holes in (G3) and (50) and secure it using the locking screws (QQ), (H5), (DD), and (H7).



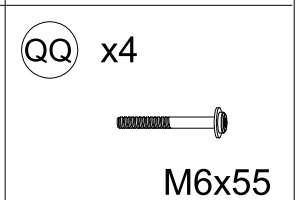
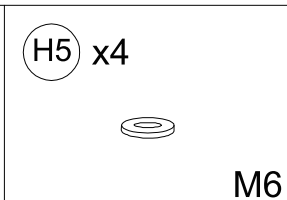
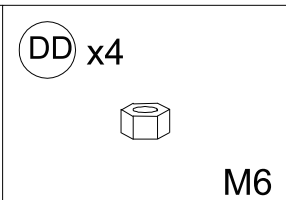
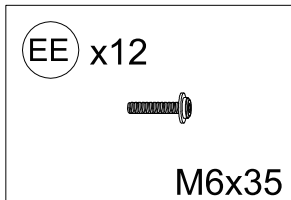
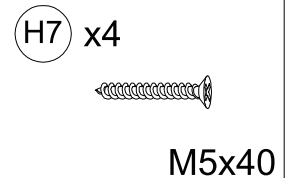
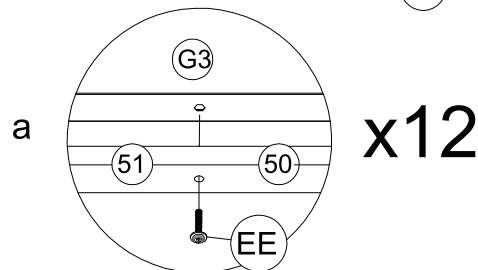
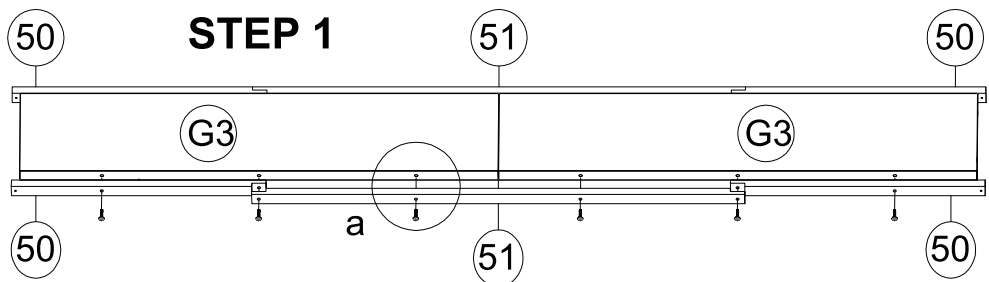
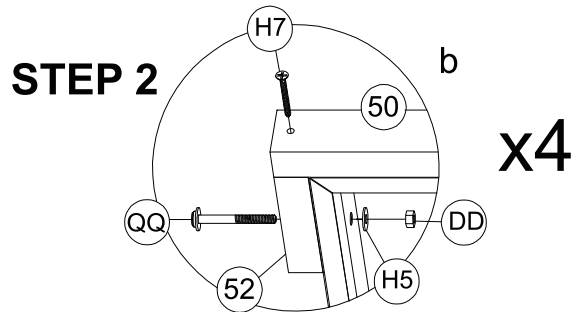
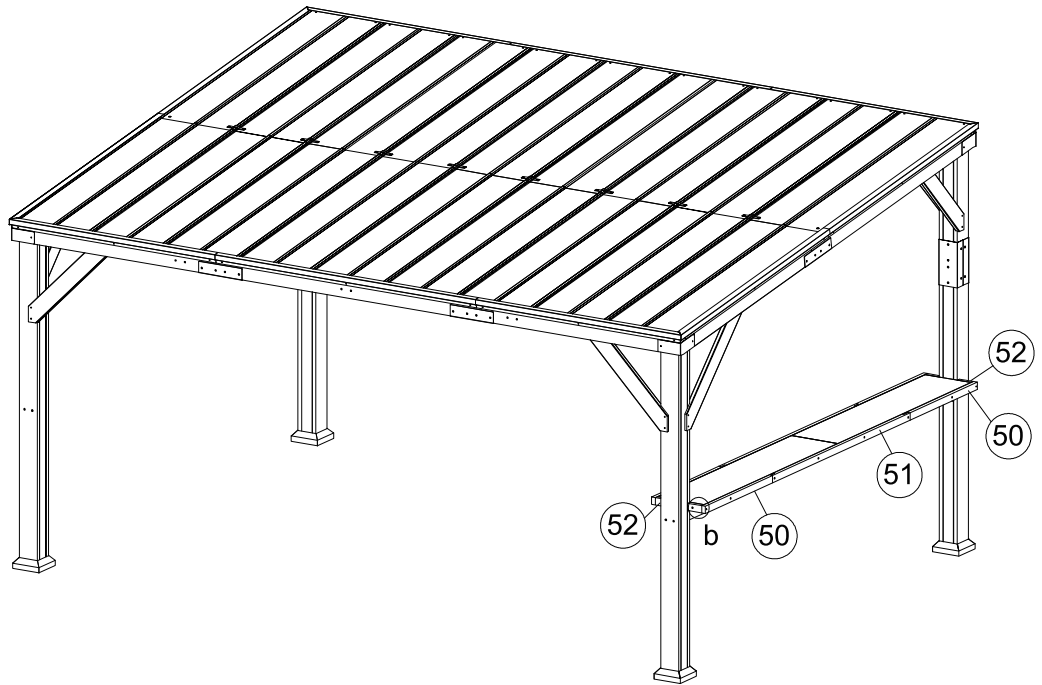
50 x4

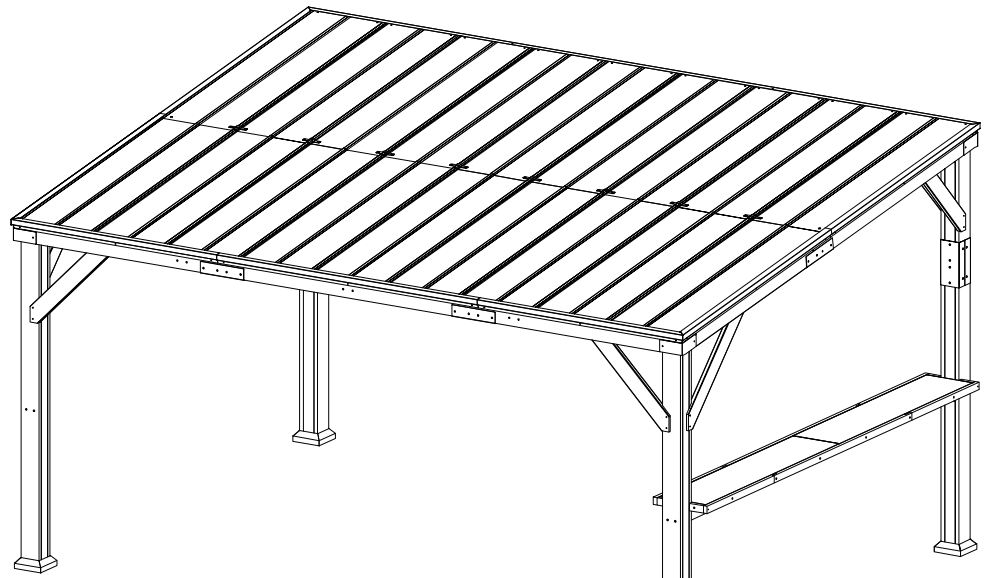


51 x2



52 x4



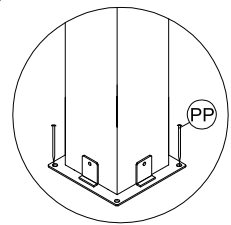
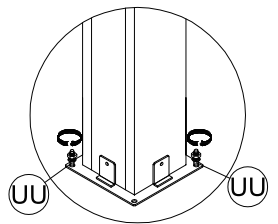
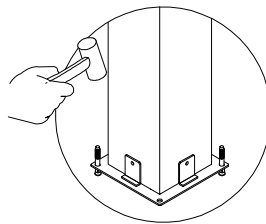
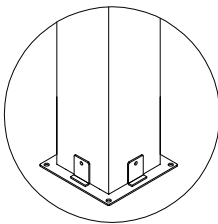
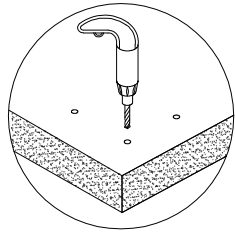


a

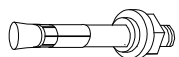
a

x4

a

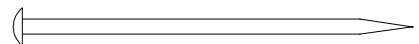


UU x8



M6x80

PP x8



D8x180

# |GAZEBO

SKU

BK27X1-2A1A1

BK27X1-2A1A2

BK27X1-2A1A3

BK27X1-2A1A4

V2.0