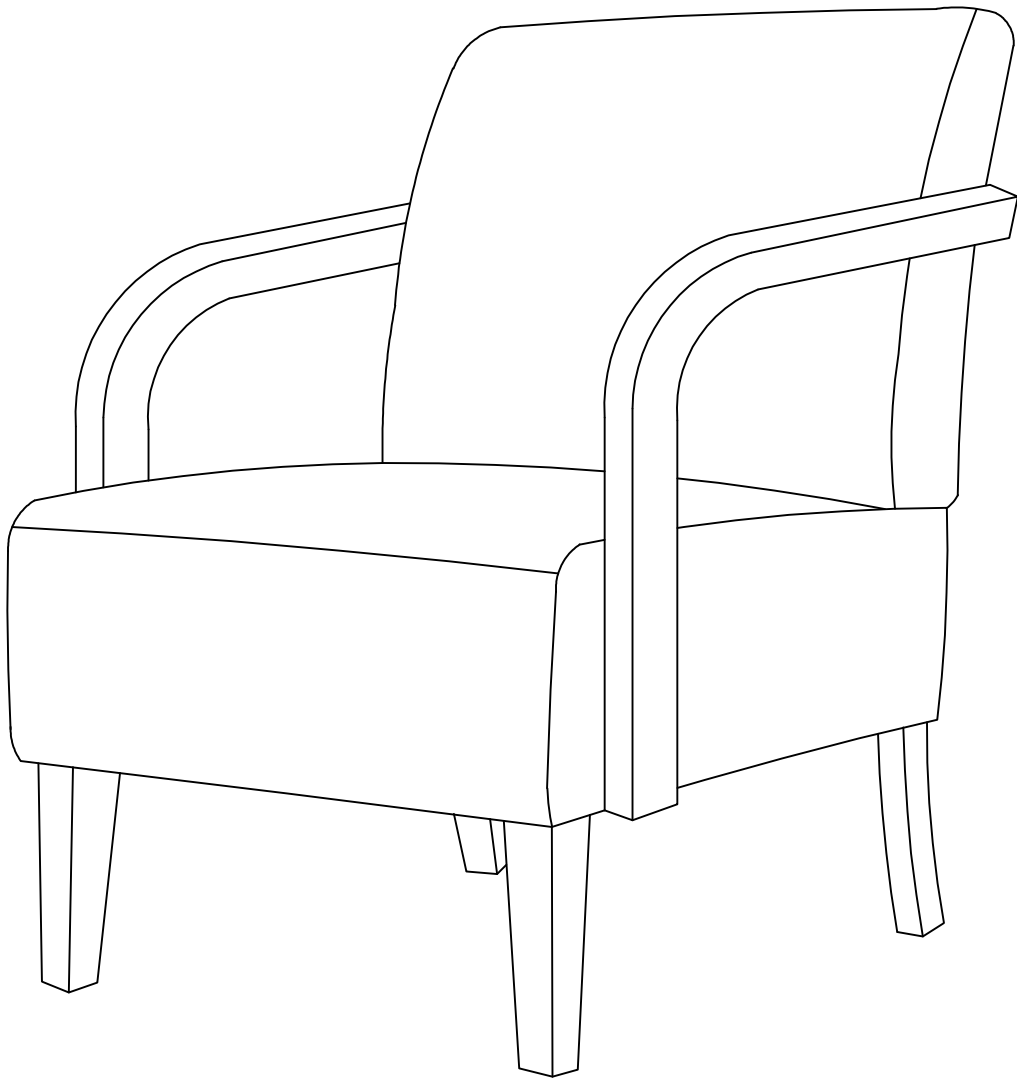


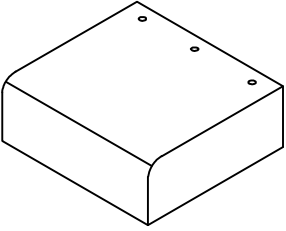
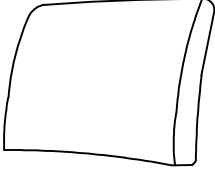


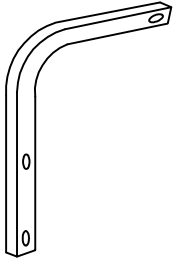
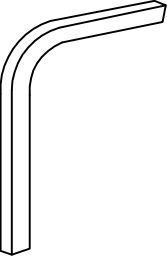
# ASSEMBLY INSTRUCTION

---






## Club Chair



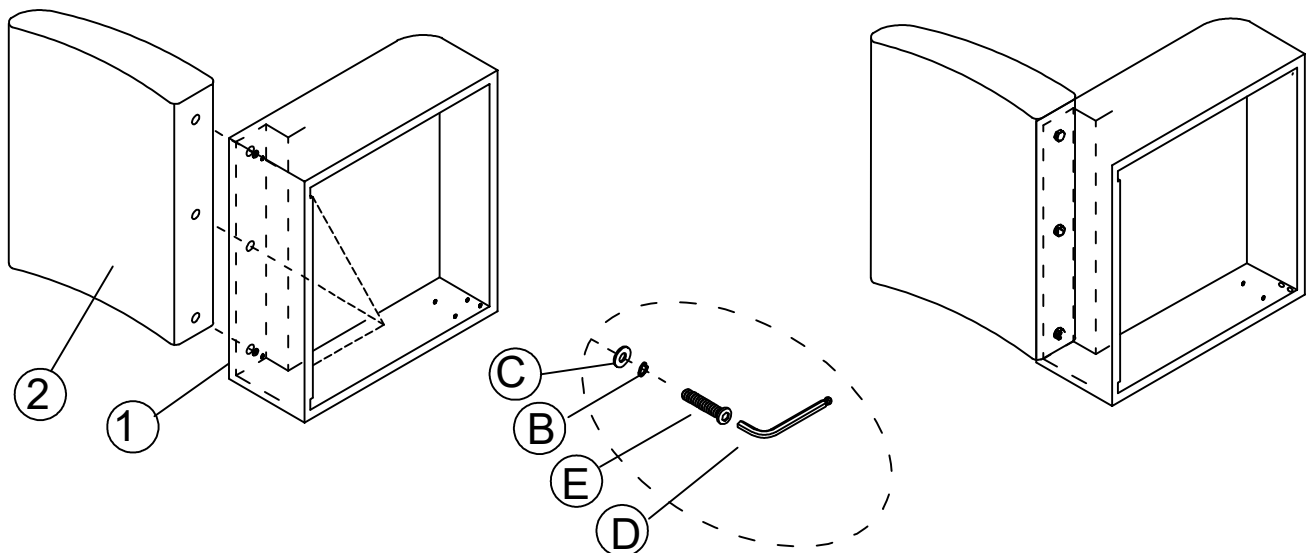
# PARTS LIST:

<p>① Seat Frame - 1pc</p> 	<p>② Back Cushion - 1pc</p> 	<p>③ Front Legs - 2pcs</p> 	<p>④ Back Legs - 2pcs</p> 
<p>⑤ Left Handrail - 1pc</p> 	<p>⑥ Right Handrail - 1pc</p> 		

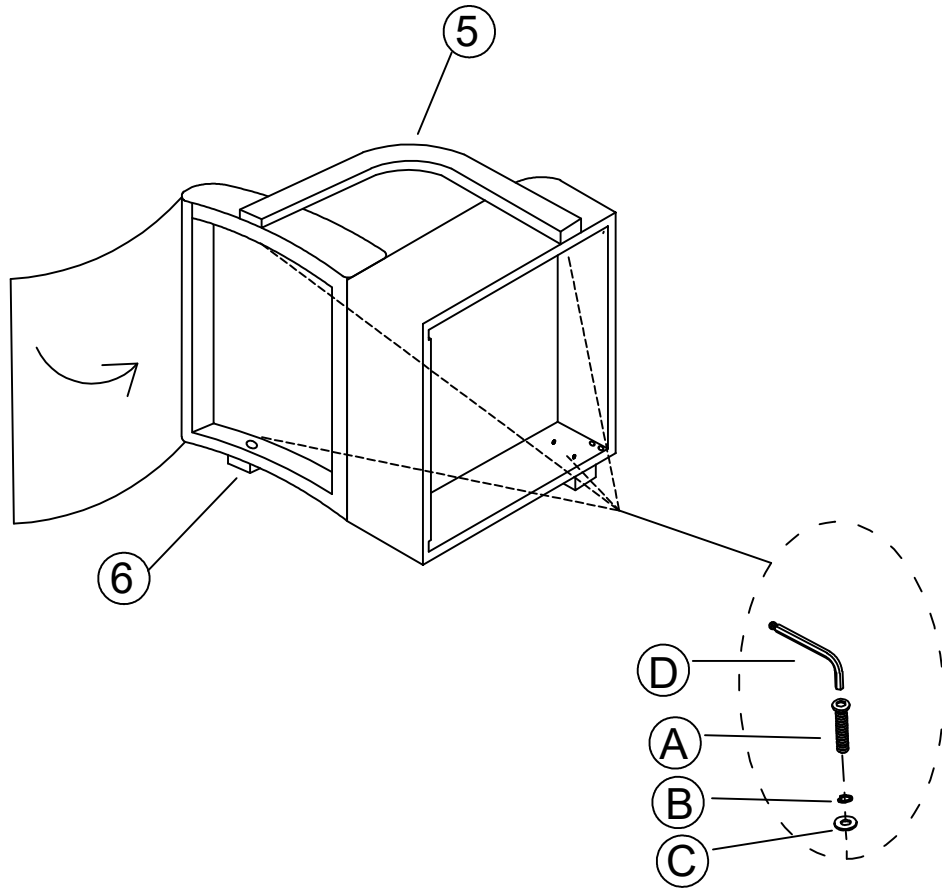
# HARDWARE LIST:

<p>Ⓐ Bolts 5/16*2"- 14pcs</p> 	<p>Ⓑ Spring Washers - 17pcs</p> 	<p>Ⓒ Flat Washers - 17pcs</p> 	<p>Ⓓ Allen Key - 1pc</p> 
<p>Ⓔ Bolts 5/16*2-1/2"-3pcs</p> 			

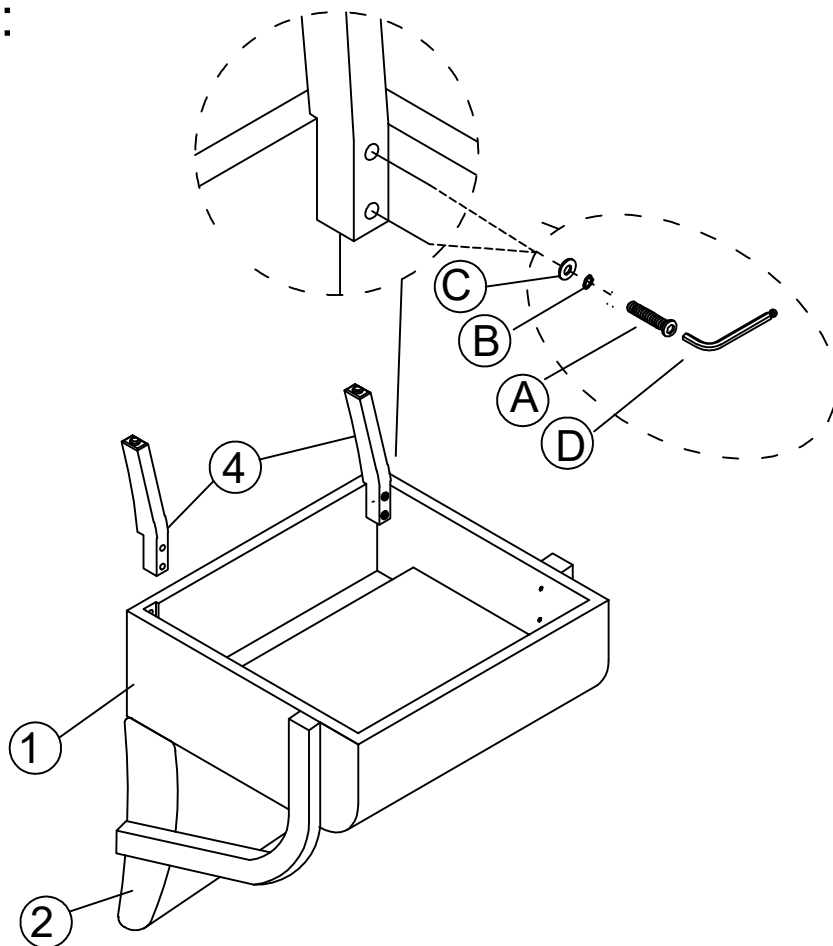
**Step1:** Note : Please fully tighten all these bolts at step 1&2.



## Step2:



## Step3:



Step4:

