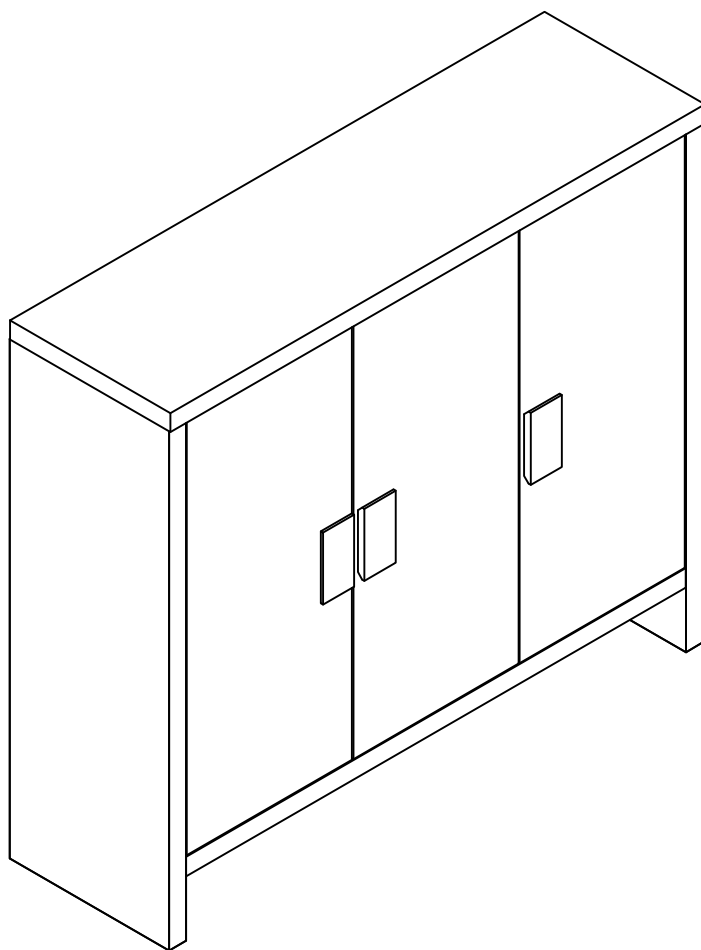


3-Door Shoe Cabinet Assembly Instruction



INTRODUCTION

Thank you for purchasing our products. Please read the instructions carefully before installation and keep it in a safe place for future reference. If you need any assistance or support, please feel free to contact our customer support team.

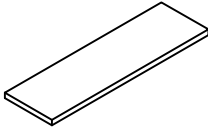
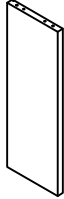
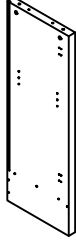
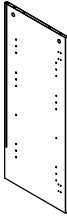
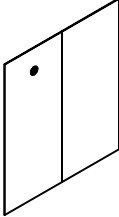

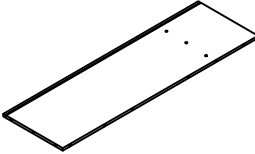
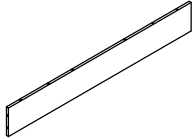
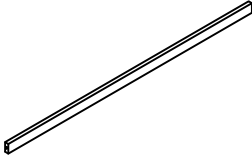
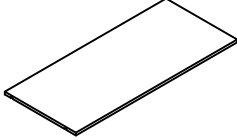
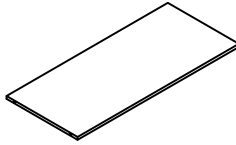
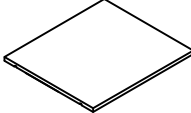
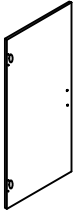


PRECAUTIONS

1. There are many components and accessories in the package. Each component and accessory is labeled with a letter or a number, check carefully before using any of them. Keep them away from children to prevent accidents.
2. Please install the product on a clean and soft underlay (such as carpet or cardboard) to avoid scratching or damaging the surface of the product.
3. The main components of the product is relatively heavy. Please pay attention to safety during installation.
4. The product is not stable during installation. Please do not move it randomly before it is completely installed.
5. If you have any questions during installation, please contact the customer service in time.


















★ PLEASE BE SURE TO FOLLOW THE INSTALLATION STEPS IN THE MANUAL TO AVOID UNNECESSARY LOSSES CAUSED BY IMPROPER INSTALLATION.

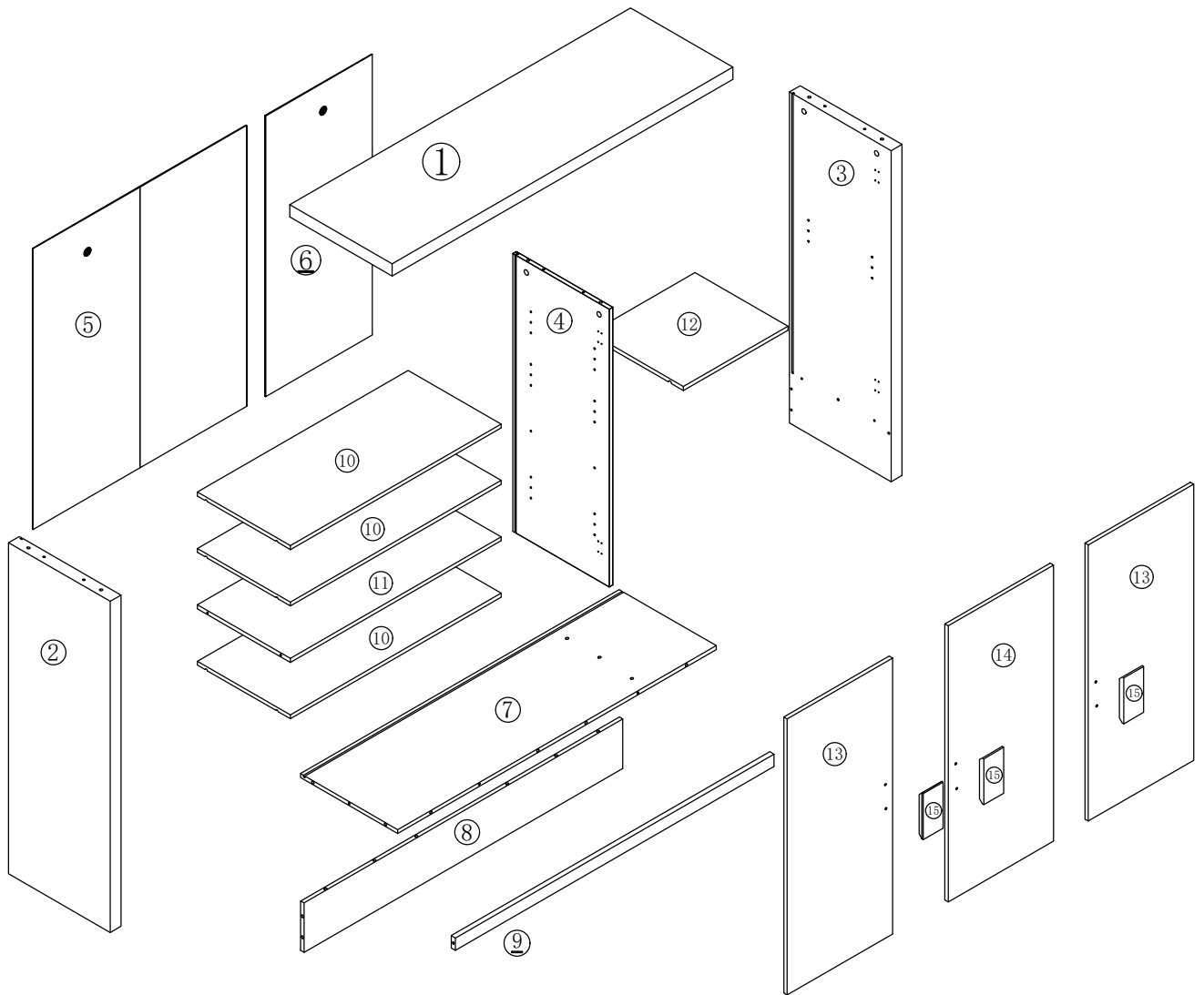
★ IF YOU NEED FURTHER ASSISTANCE, PLEASE CONTACT THE CUSTOMER SERVICE ONLINE.

PARTS LIST

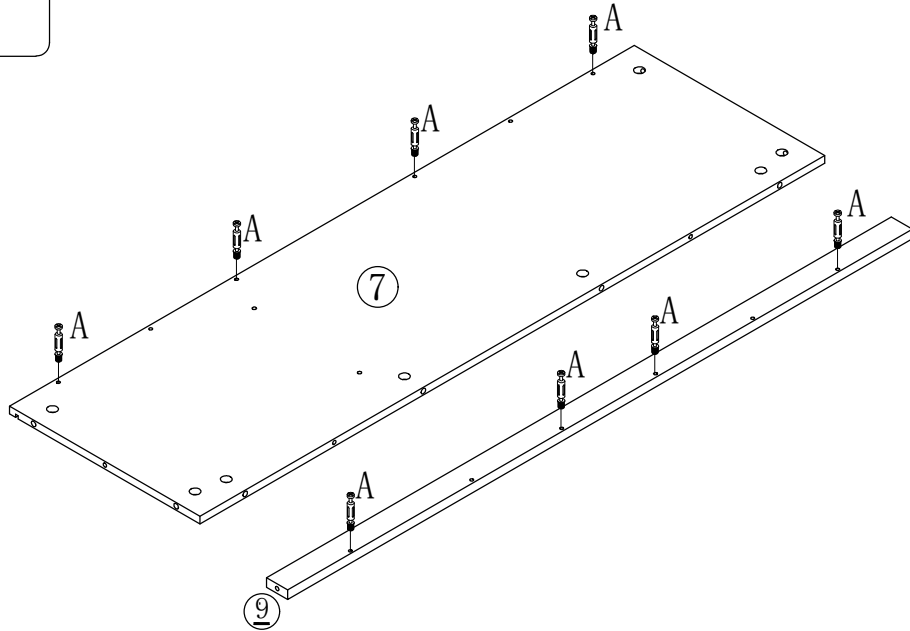
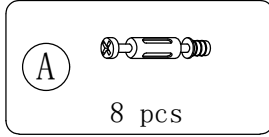
			
① 1Pc	② 1Pc	③ 1Pc	④ 1Pc
			
⑤ 1Pc	⑥ 1Pc	⑦ 1Pc	⑧ 1Pc
			
⑨ 1Pc	⑩ 3Pcs	⑪ 1Pc	⑫ 1Pc
			
⑬ 2Pcs	⑭ 1Pc	⑮ 3Pcs	

HARDWARE LIST

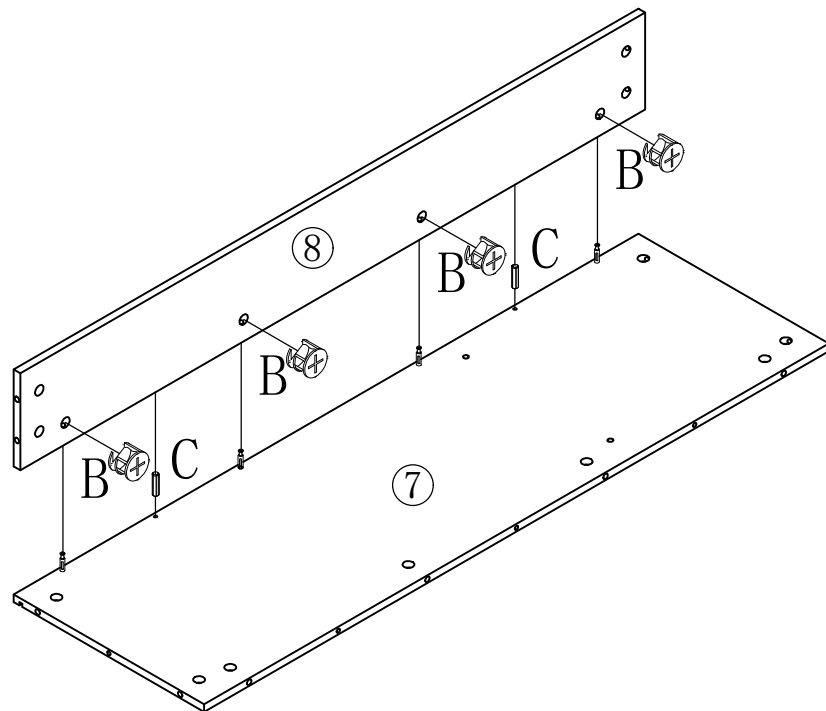
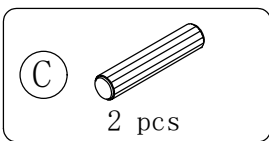
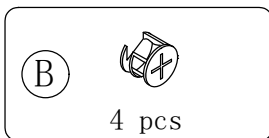
Ⓐ x26 pcs 	Ⓑ x26 pcs 	Ⓒ x15 pcs  $\phi 6 \times 30$	Ⓓ x16 pcs 	Ⓔ x4 pcs 
Ⓕ x36 pcs  $M3.5 \times 12$	Ⓖ x2 pcs 	Ⓗ x6 pcs  $M4 \times 18mm$	Ⓘ x18 pcs  I1  I2 $M3 \times 14$	Ⓙ x2 pcs  J1  J2  J3  J4 $M4 \times 14$ $M4 \times 40$
Ⓚ x8 pcs 	Ⓛ x2 pcs 	Ⓜ x2 pcs 		



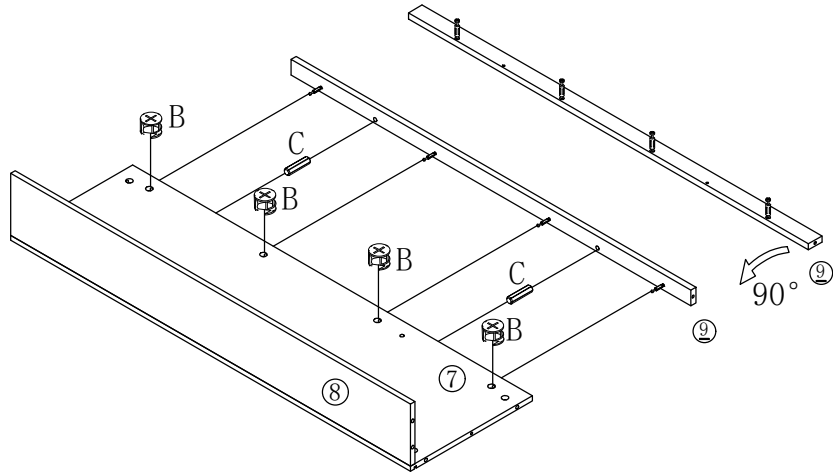
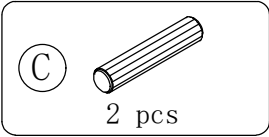
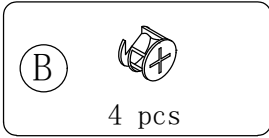
STEP 1



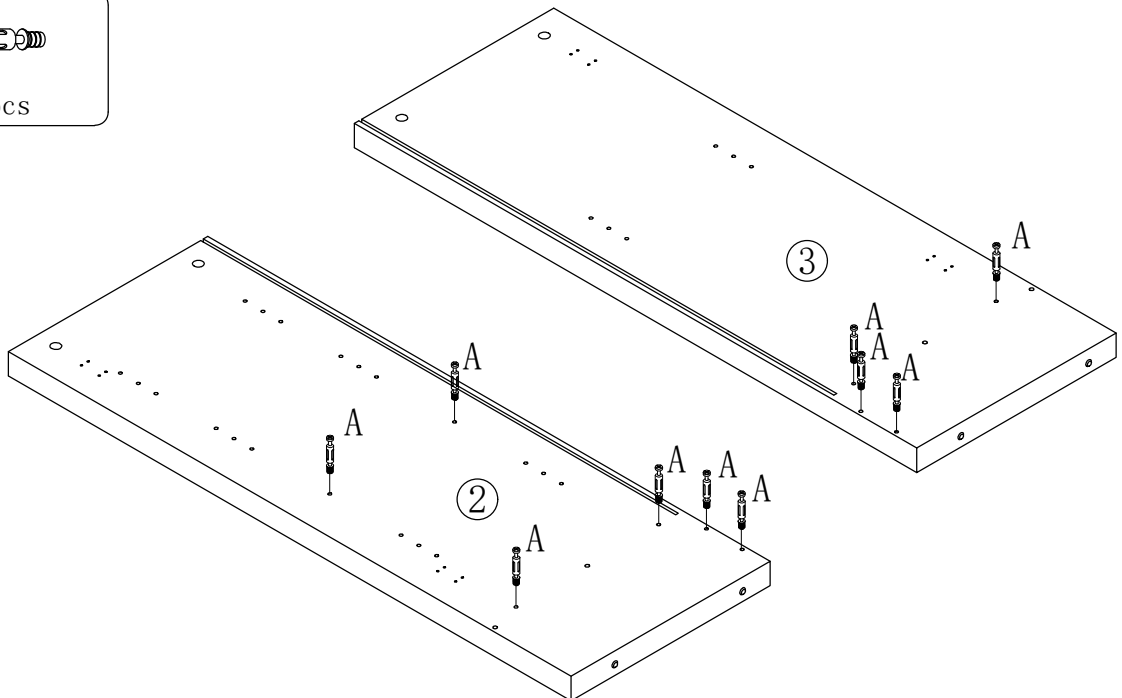
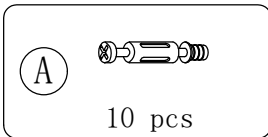
STEP 2



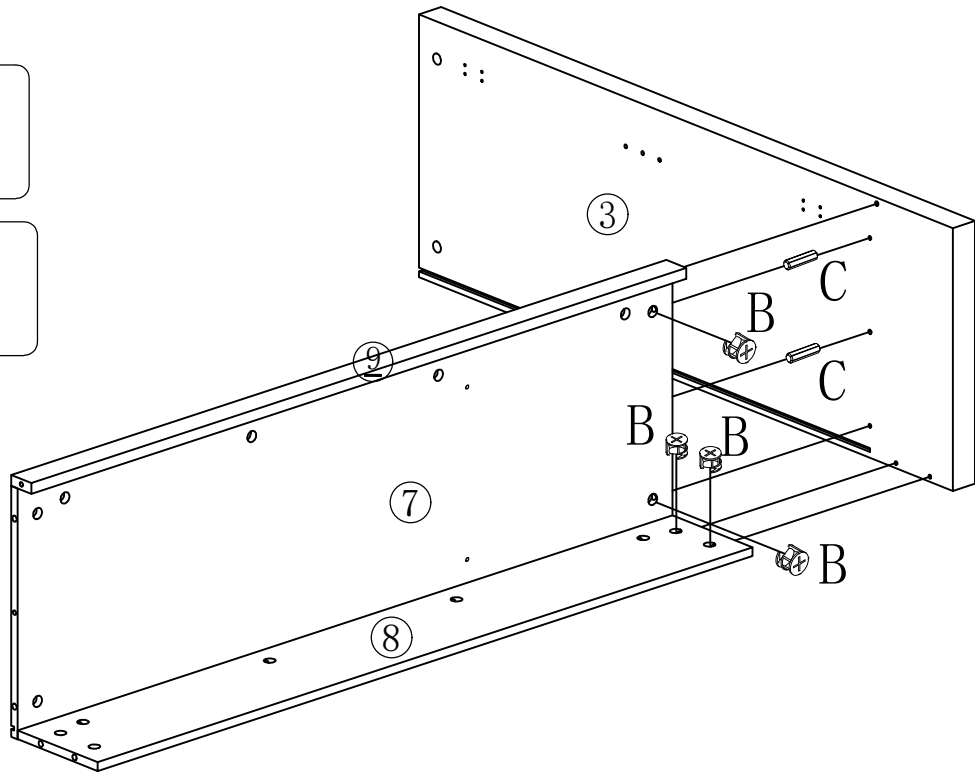
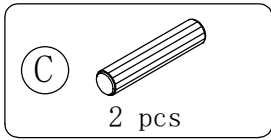
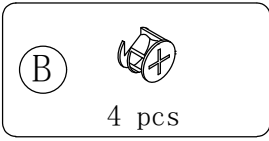
STEP 3



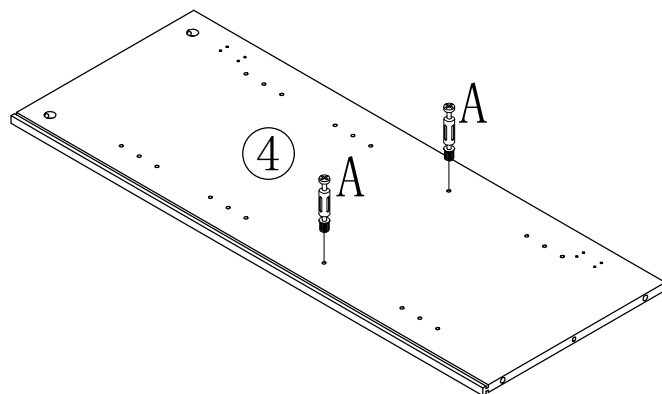
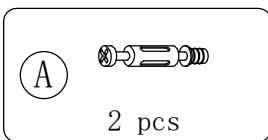
STEP 4



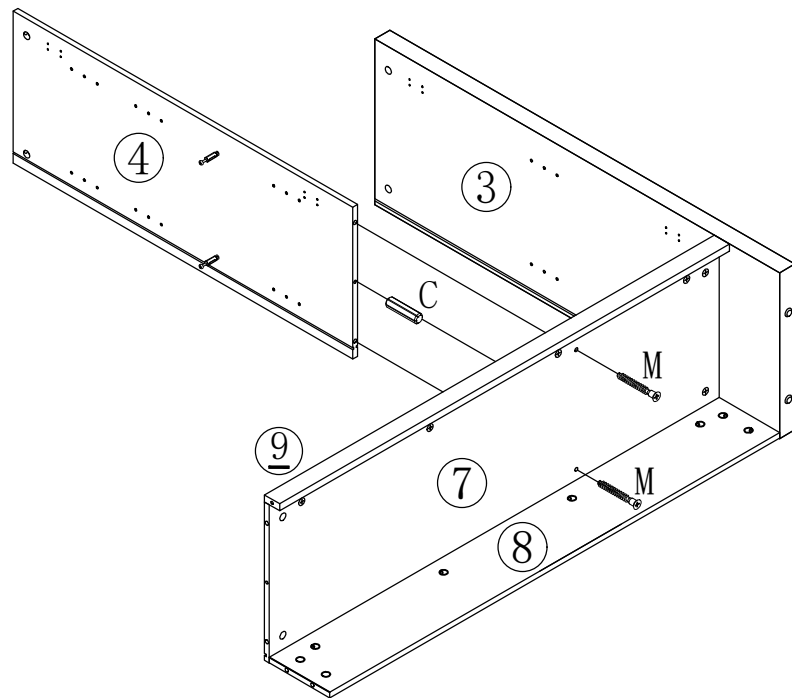
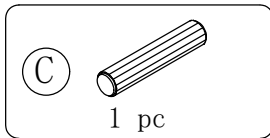
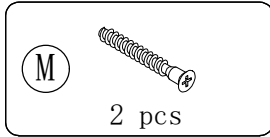
STEP 5



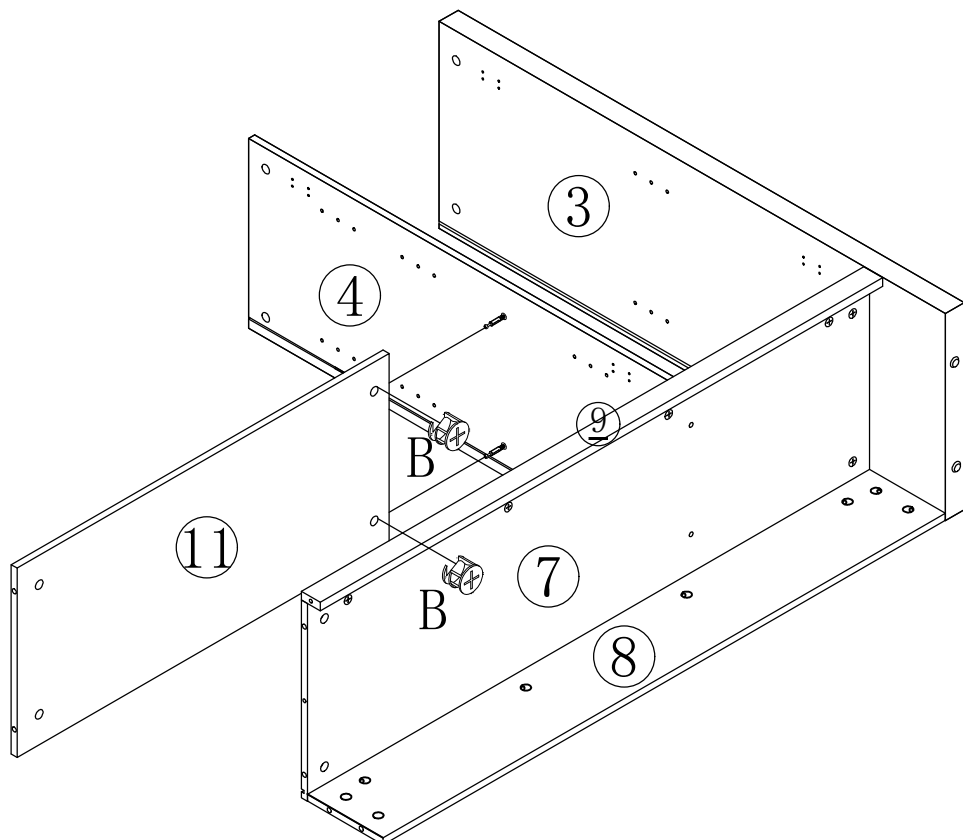
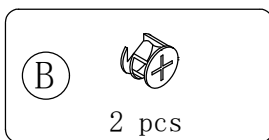
STEP 6



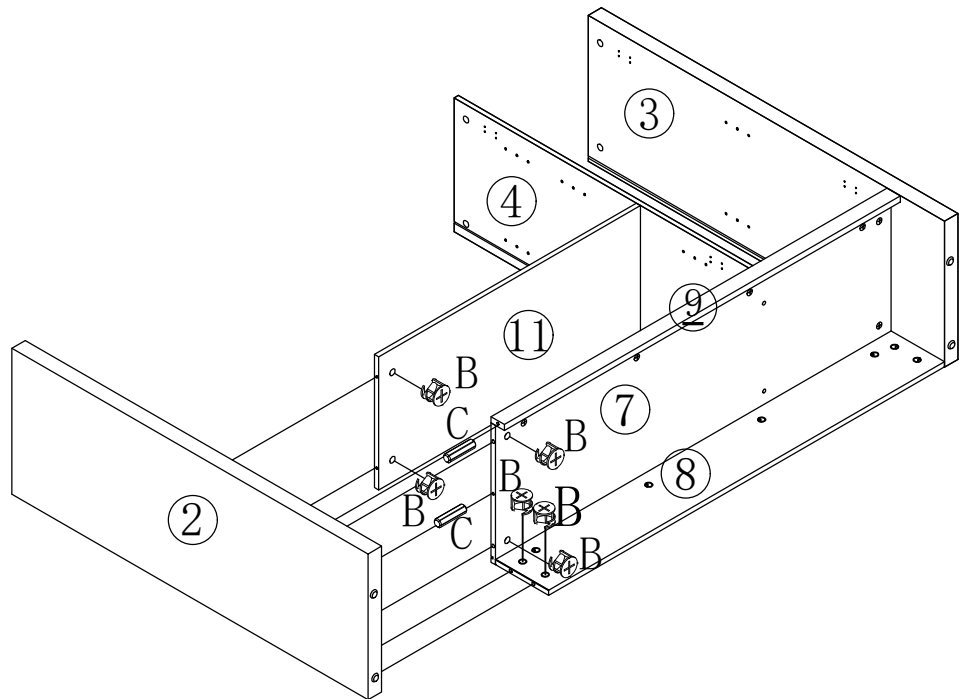
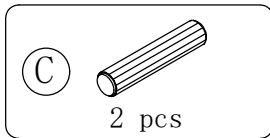
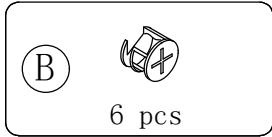
STEP 7



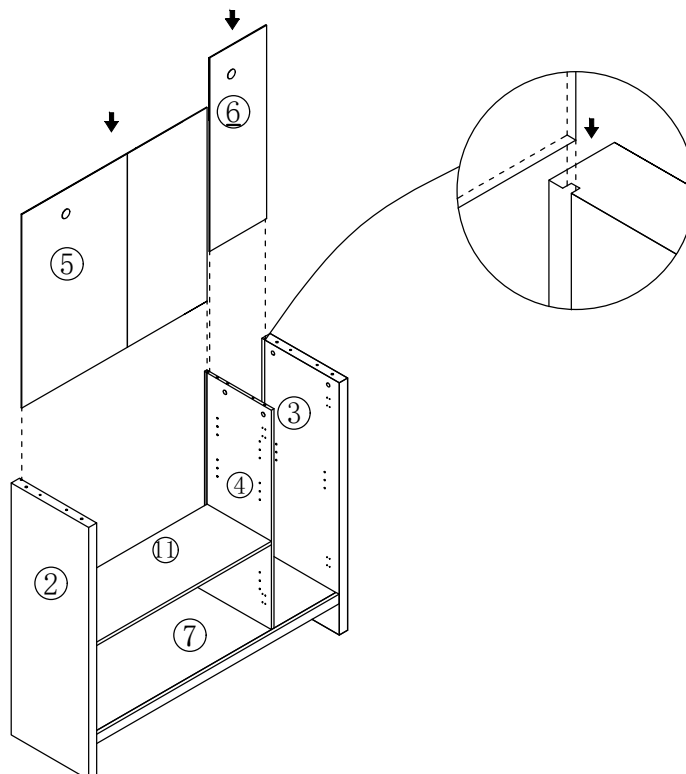
STEP 8



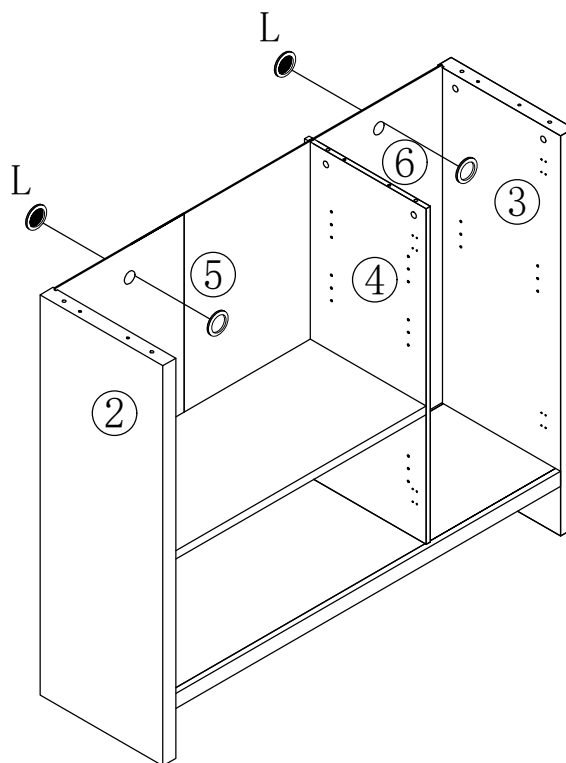
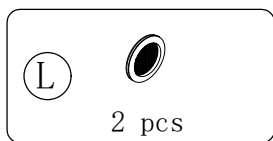
STEP 9



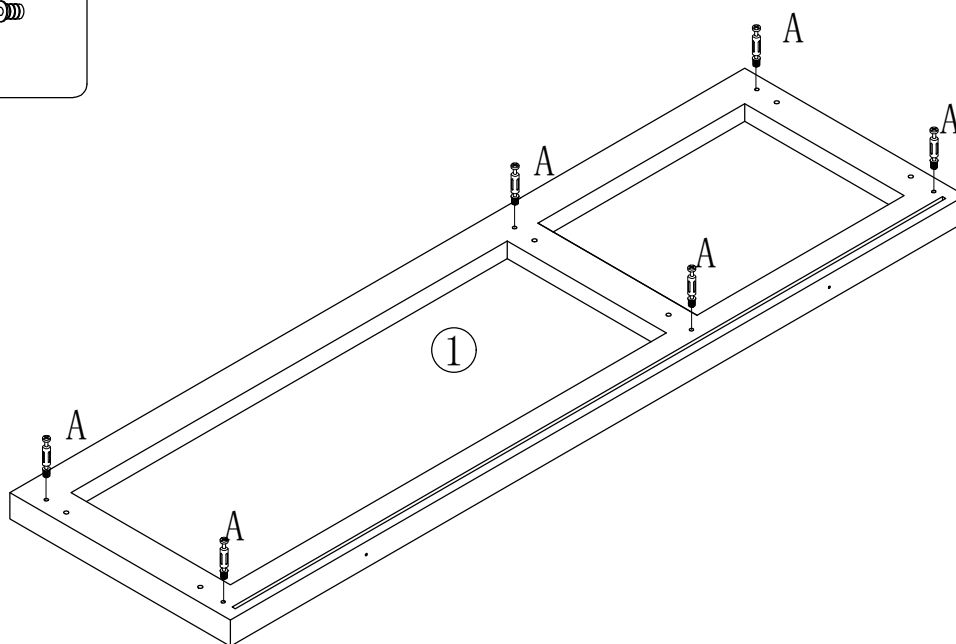
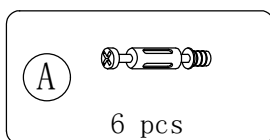
STEP 10



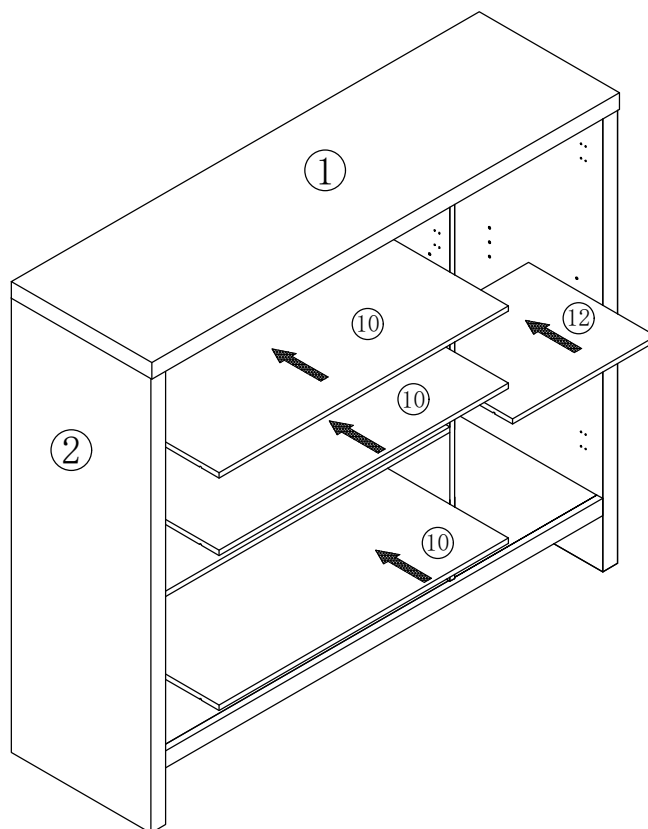
STEP 11



STEP 12

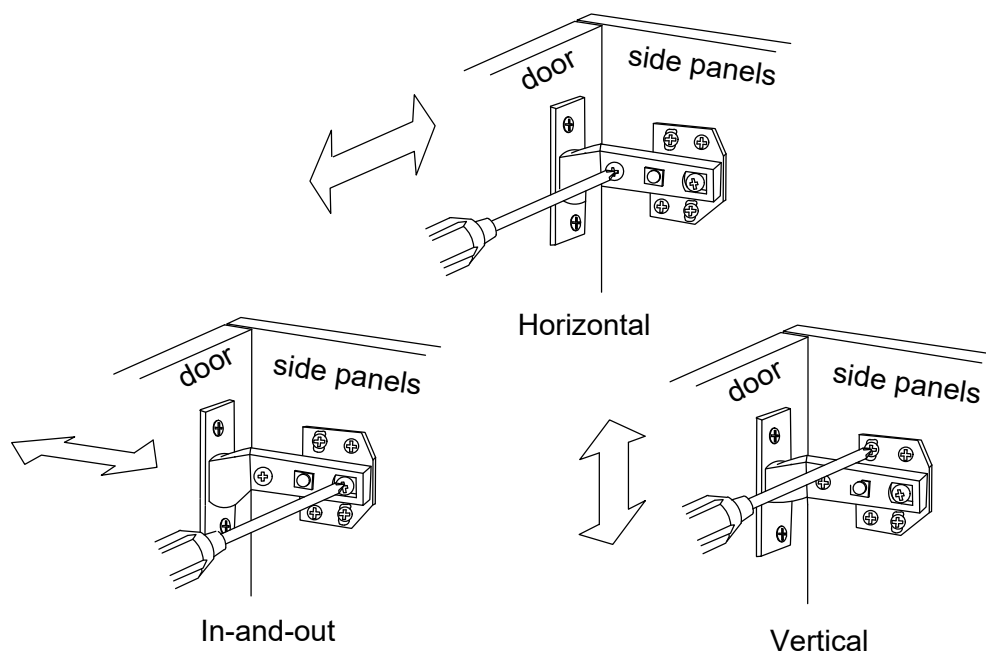


STEP 15

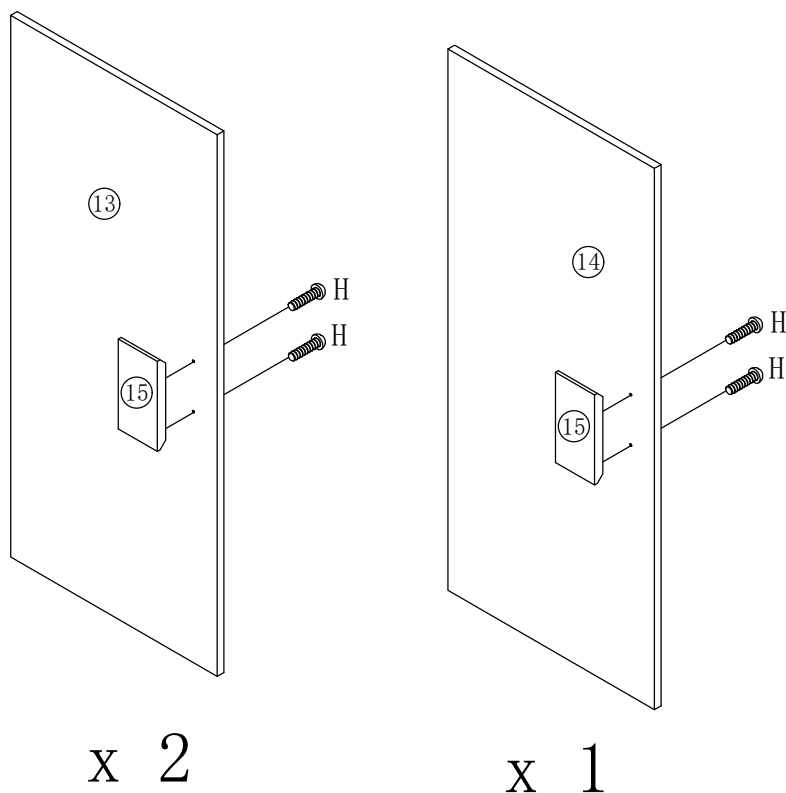
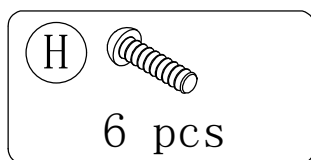


STEP 16

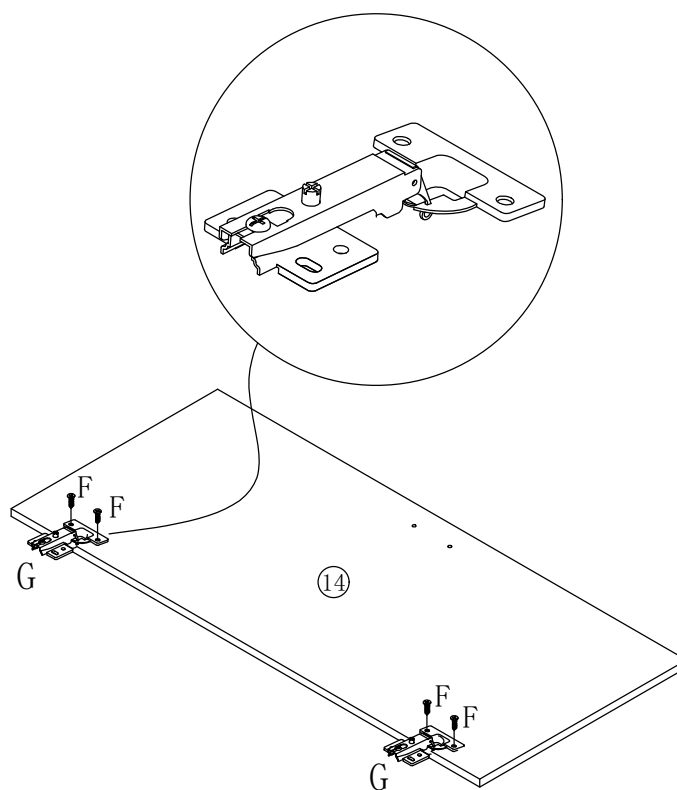
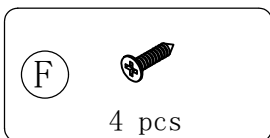
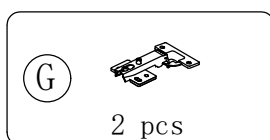
Concealed hinges are three-way adjustable



STEP 17



STEP 18



STEP 19

E

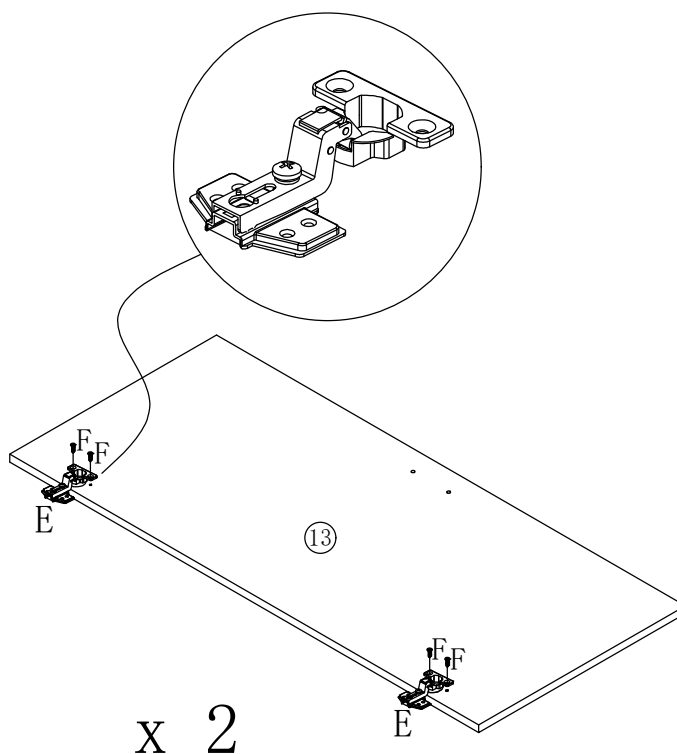


4 pcs

F



8 pcs



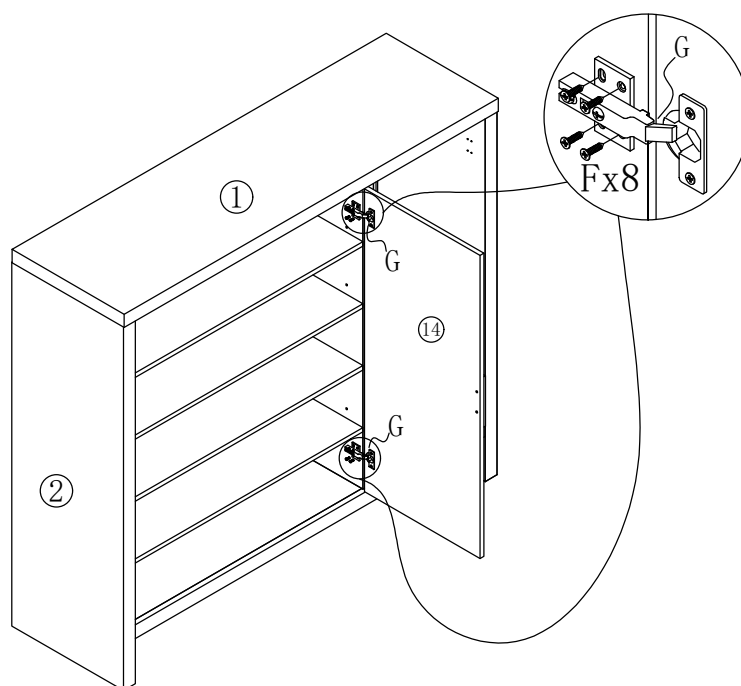
x 2

STEP 20

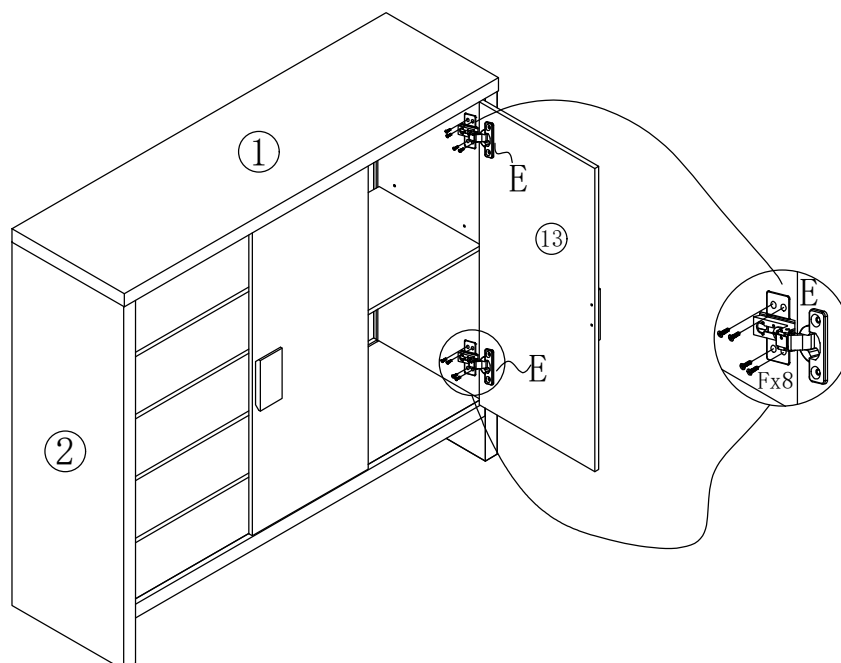
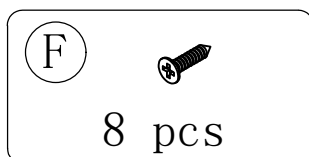
F



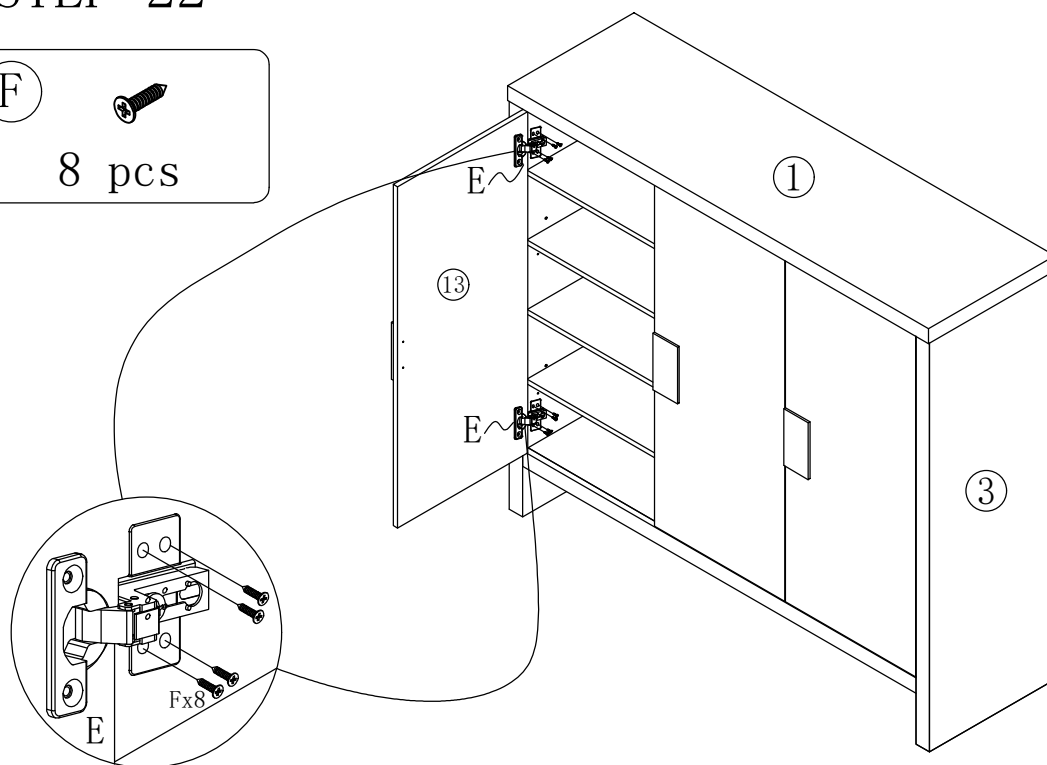
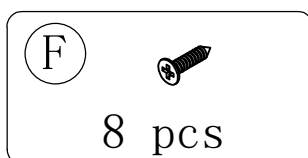
8 pcs



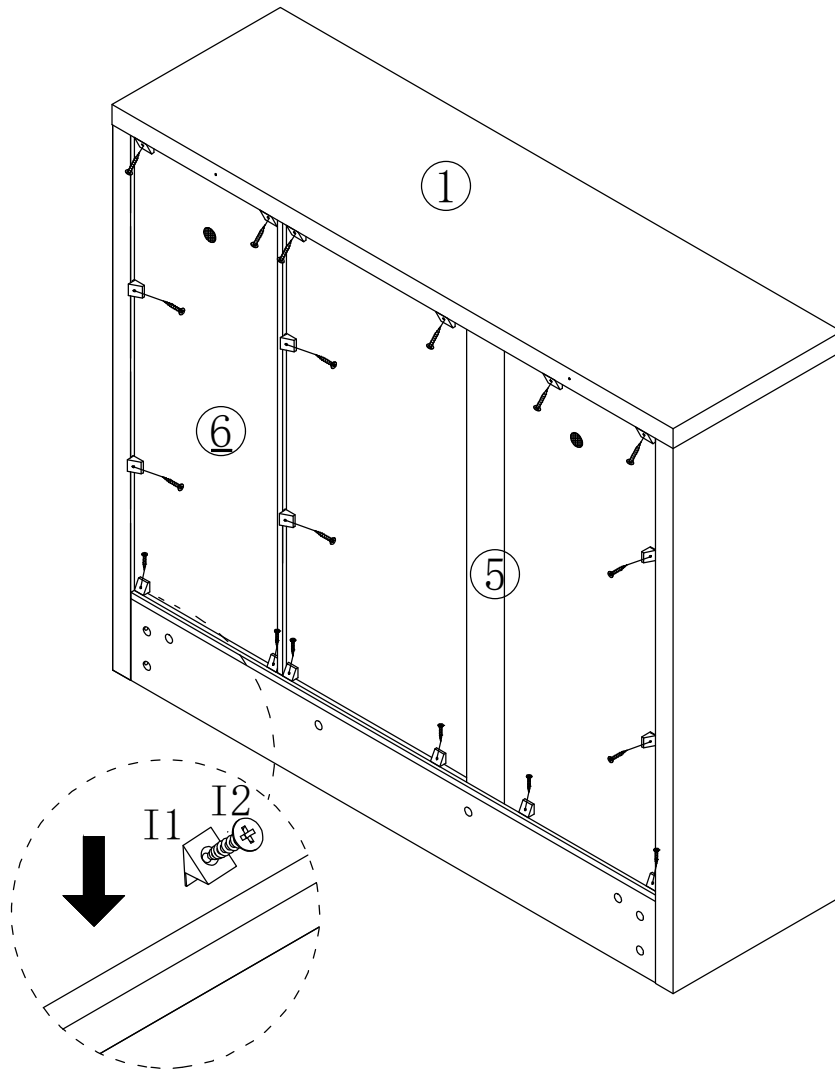
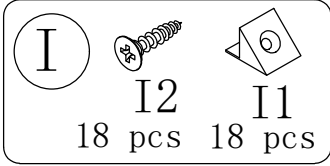
STEP 21



STEP 22



STEP 23



STEP 24

