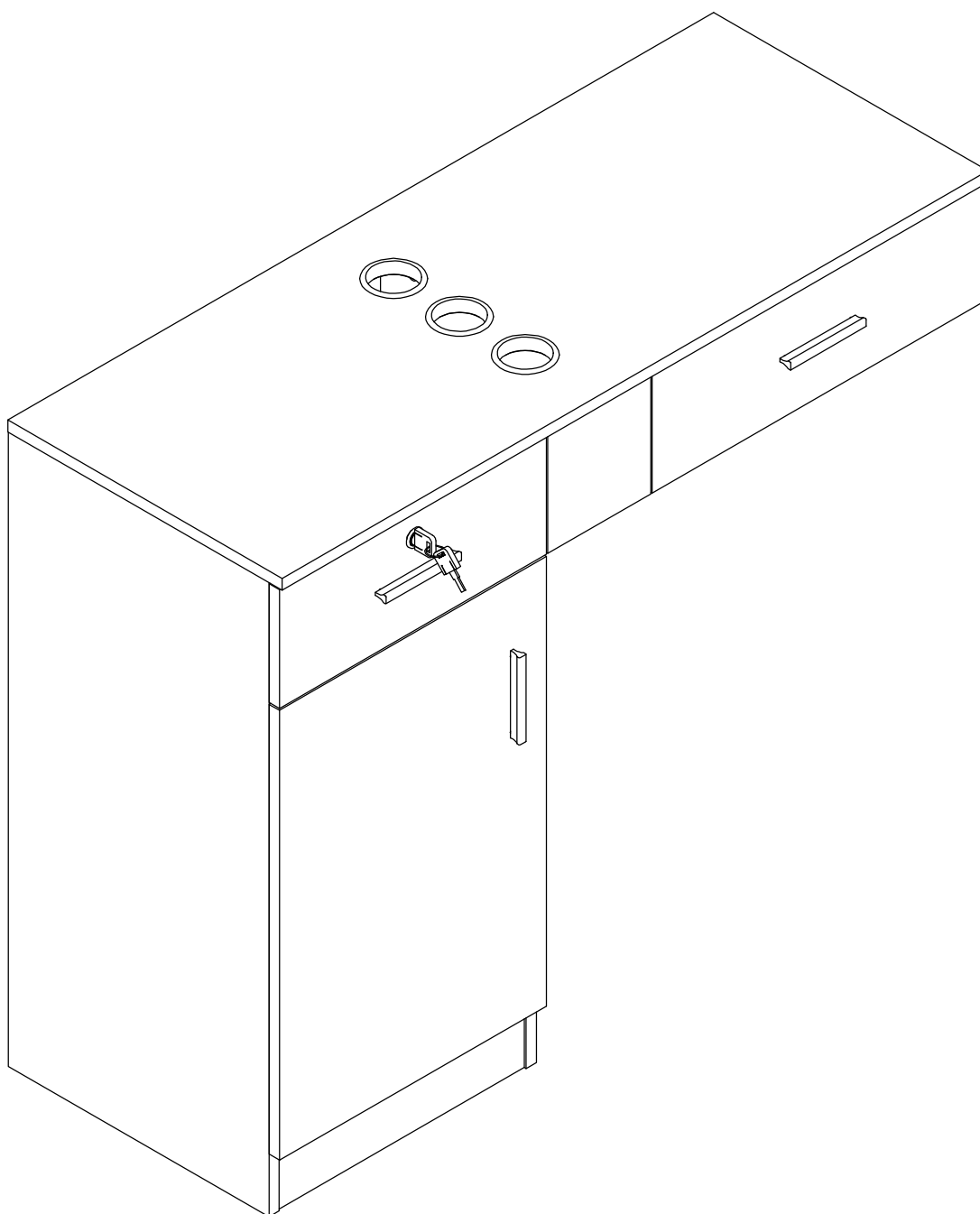


HAIR STYLING STATION

USER MANUAL



⚠ WARNING

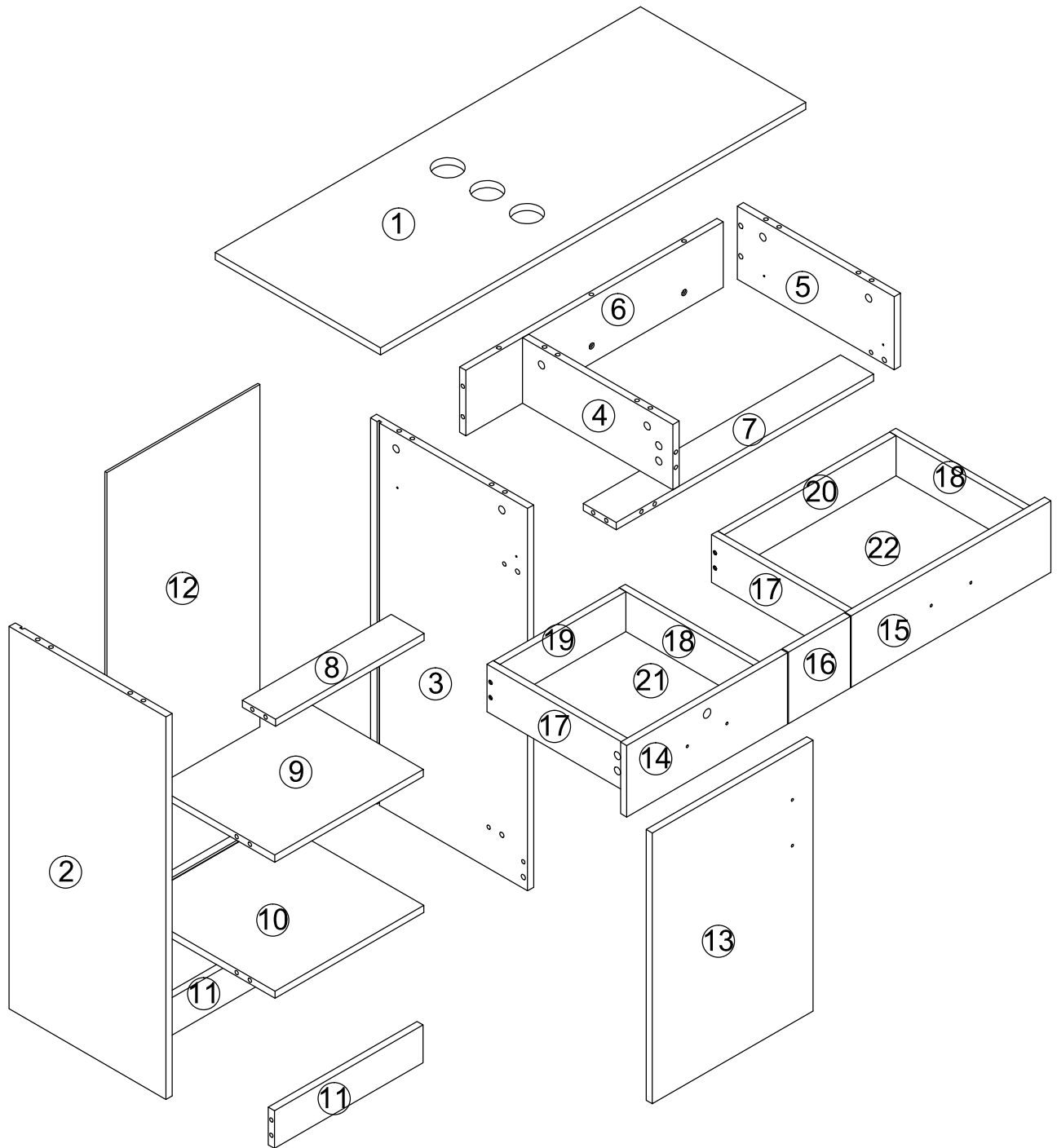


Children have died from furniture tipover. To reduce the risk of furniture tipover:

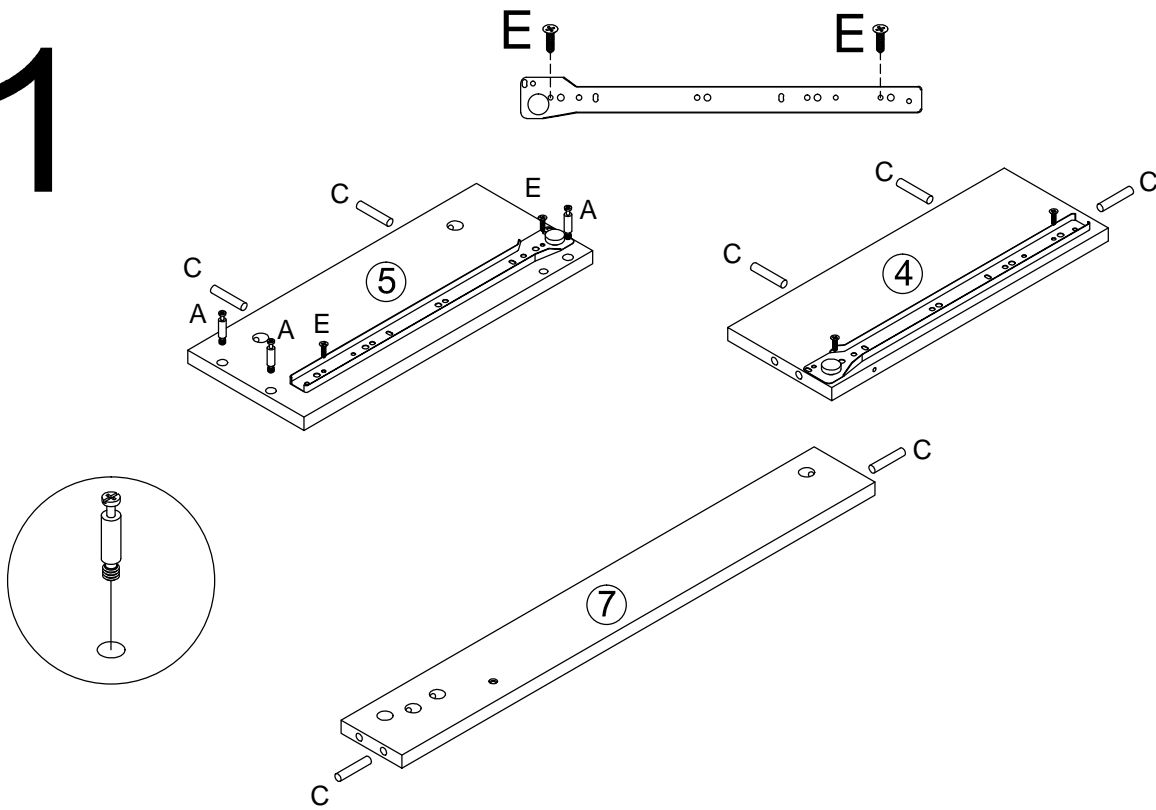
- ALWAYS install tipover restraint provided.
- NEVER put a TV on this product.
- NEVER allow children to stand, climb or hang on drawers, doors, or shelves.
- NEVER open more than one drawer at a time.
- Place heaviest items in the lowest drawers.
- Do not defeat or remove the drawer interlock system.

*This is a permanent label.
Do not remove!*

		 Ø8*40	 Ø5*40	 Ø3.5*14
A*43	B*43	C*25	D*2	E*40
 Ø4*35	 Ø3.5*16	 Ø3*14	 Ø4*18	 Ø8*60 Ø6*80
F*8	G*1	H*1	I*3	J*2
		 M1 M2		 Ø20
K*8	L*2	M*2	N*2	O*43
	 Ø60			
P*4	Q*3			

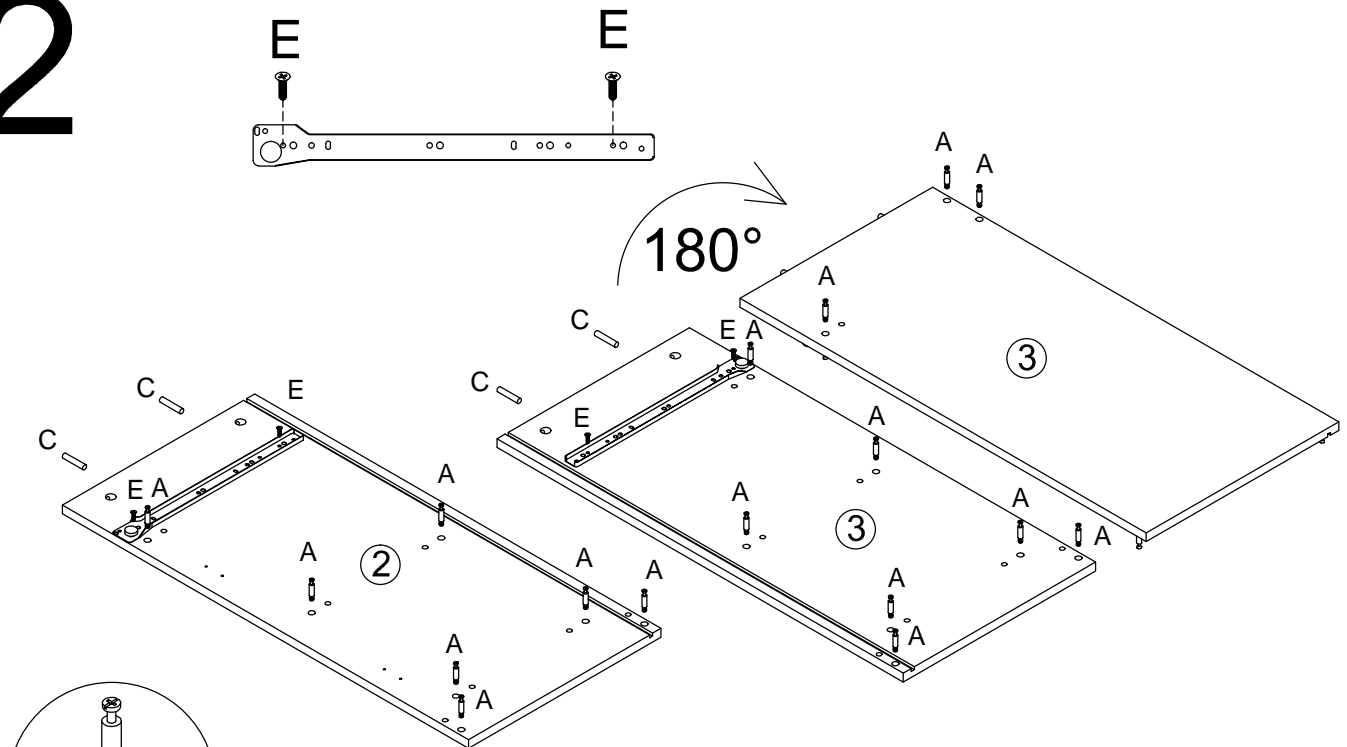


1



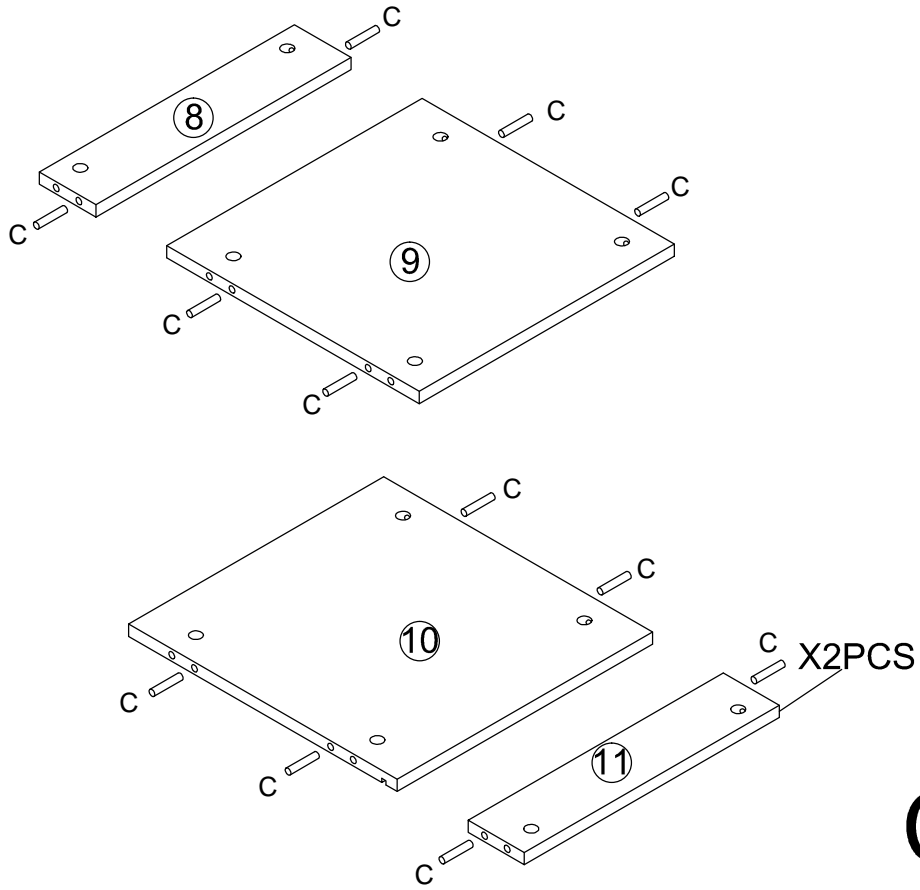
$A*3+C*7+E*4+M1*1$

2



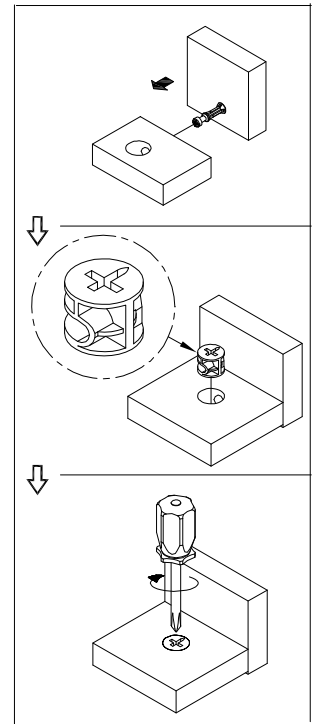
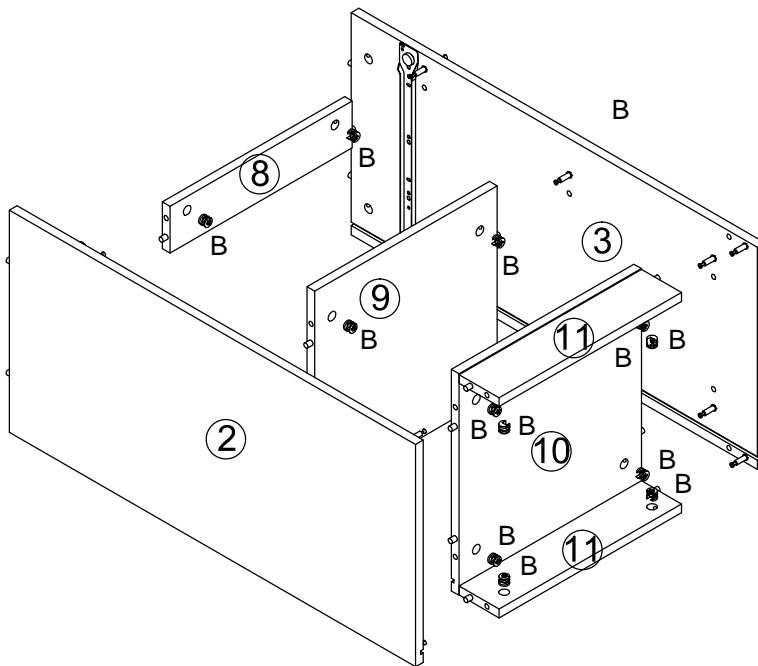
$A*17+C*4+E*4+M1*1$

3



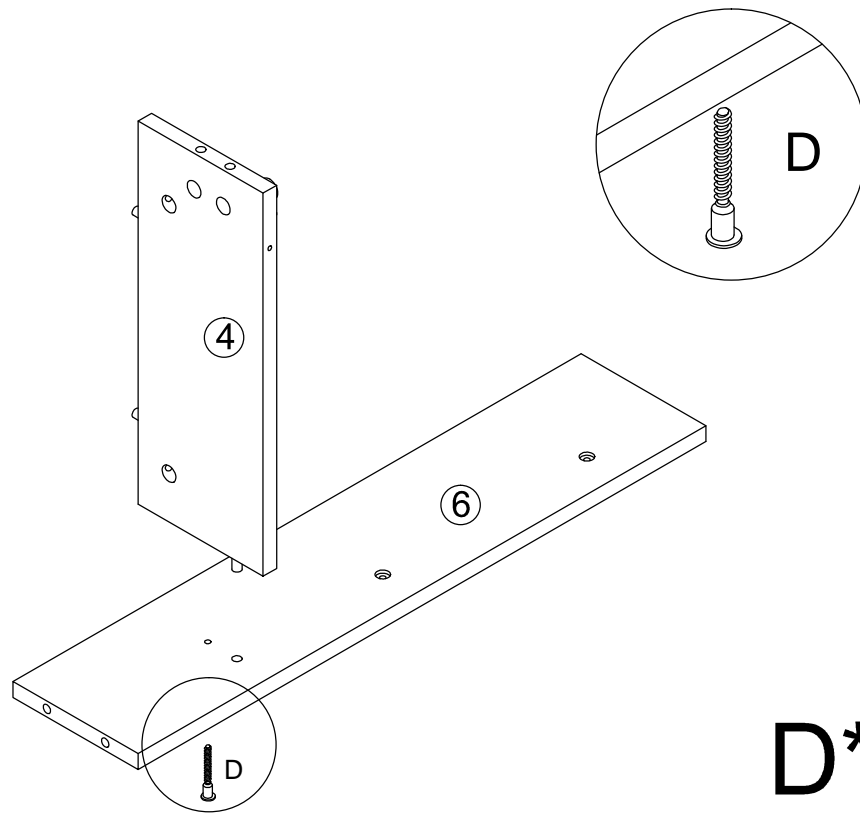
C*14

4



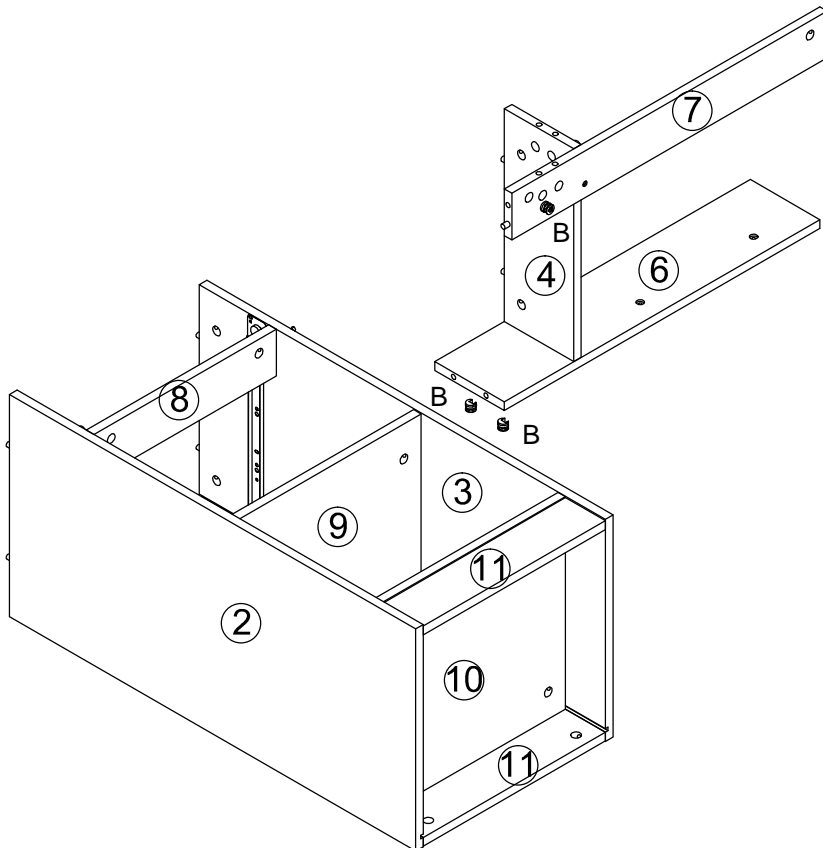
B*14

5



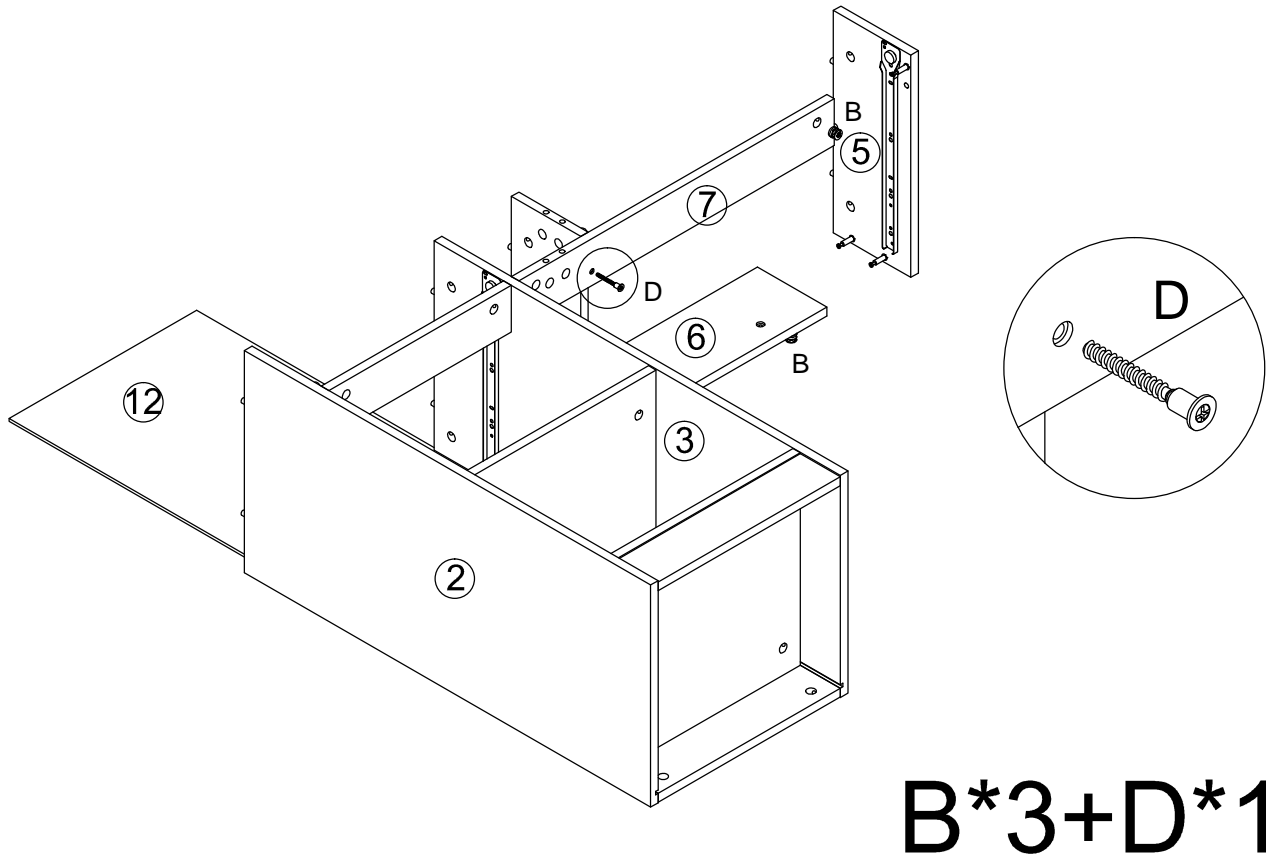
D*1

6

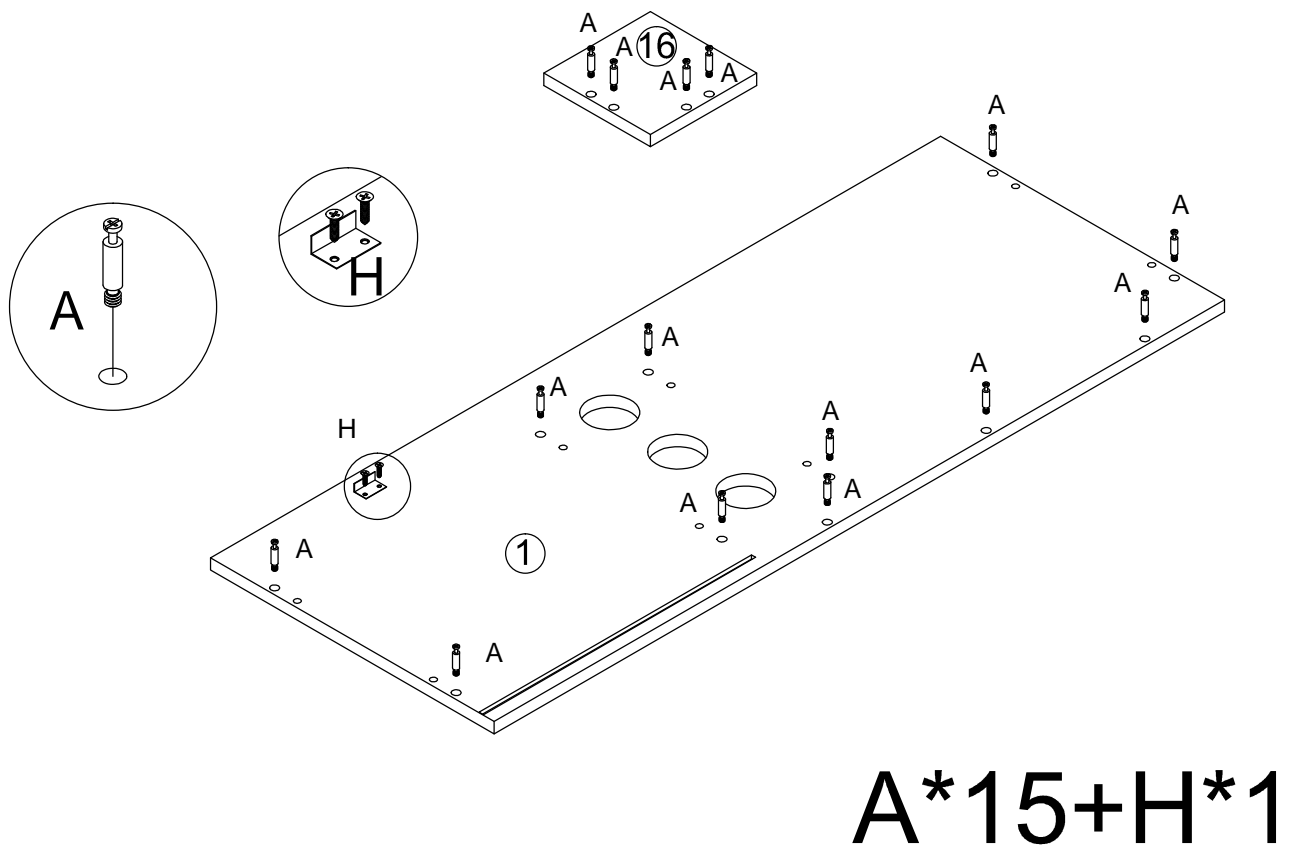


B*3

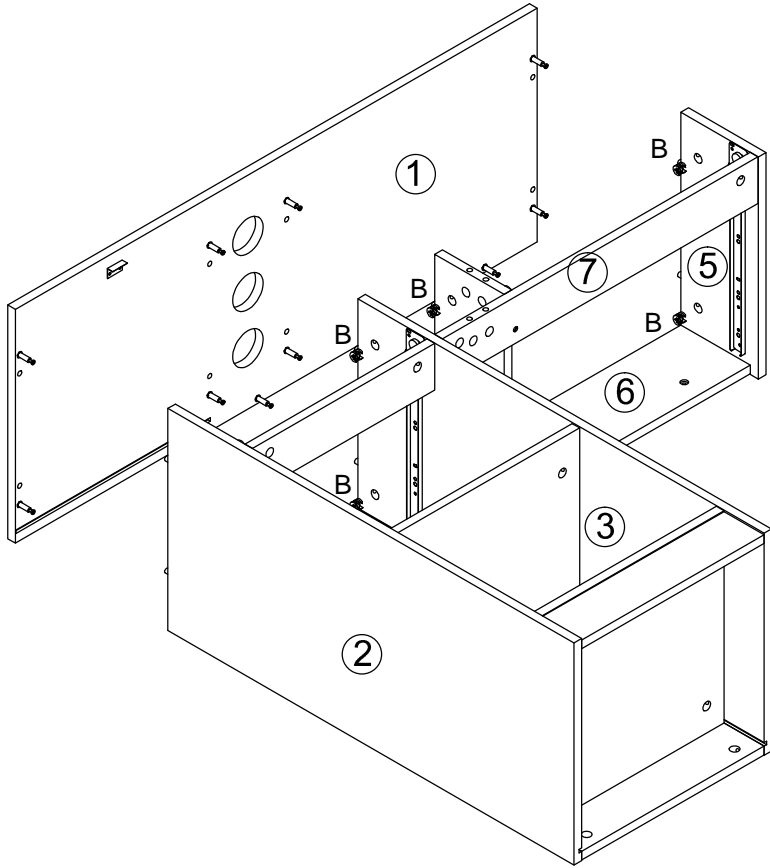
7



8

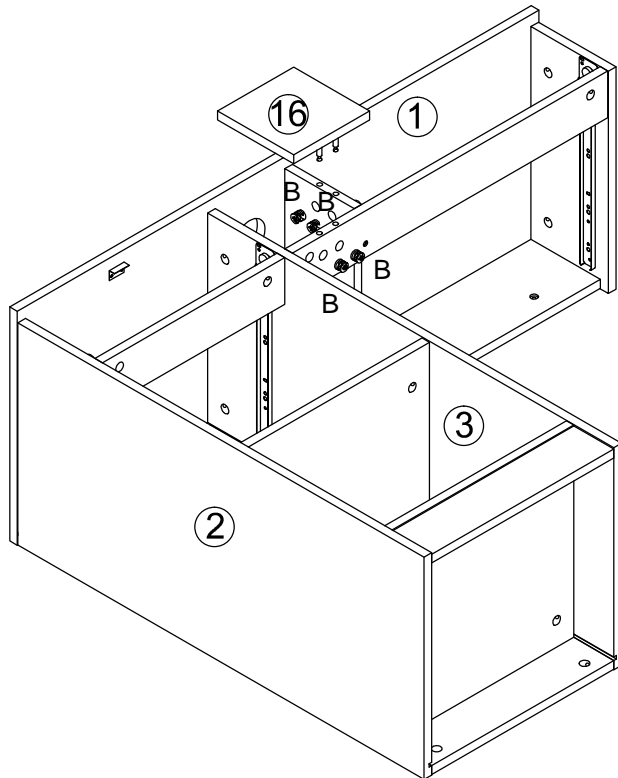


9



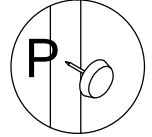
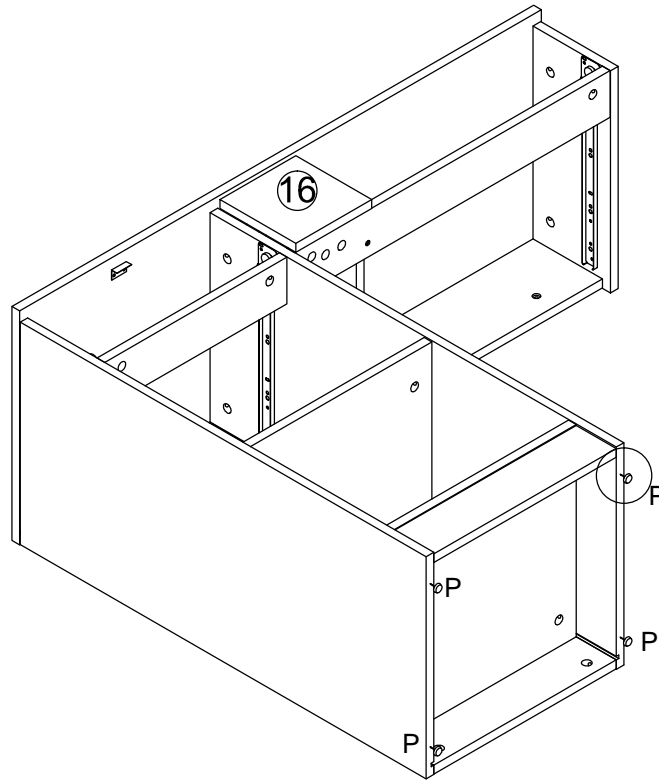
B*11

10



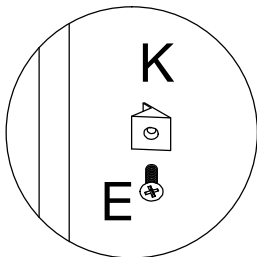
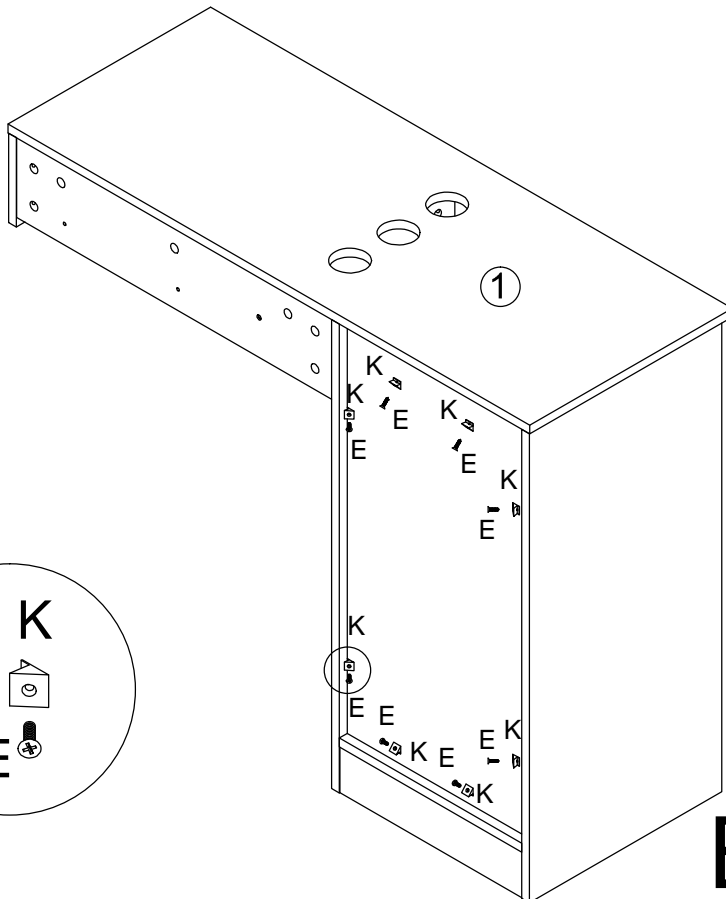
B*4

11



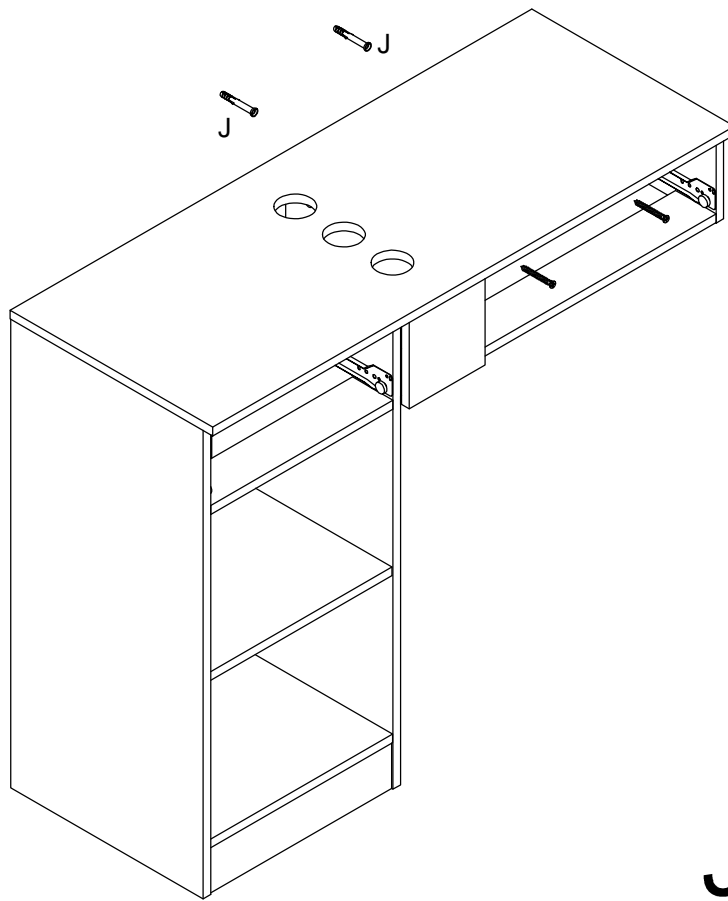
P*4

12



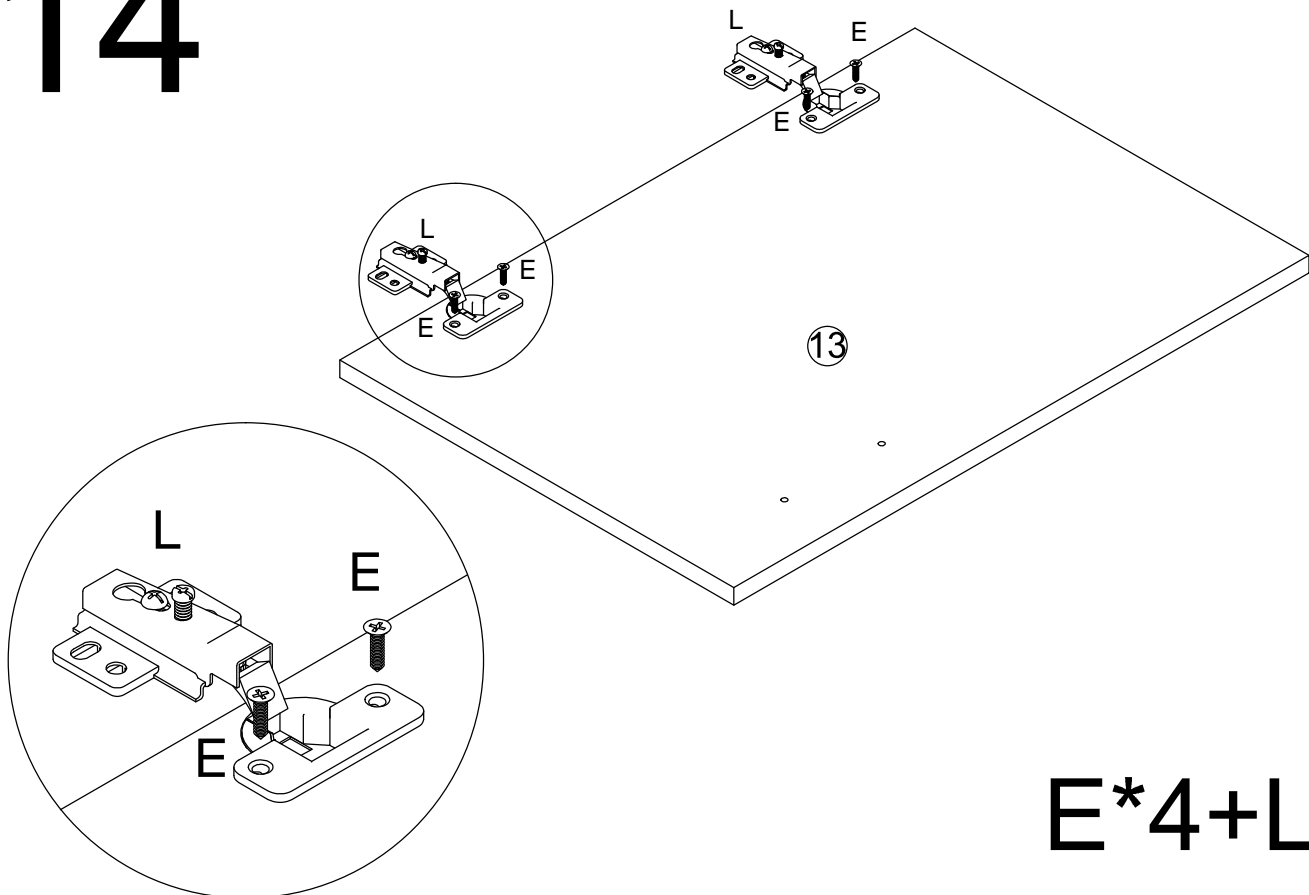
E*8+K*8

13



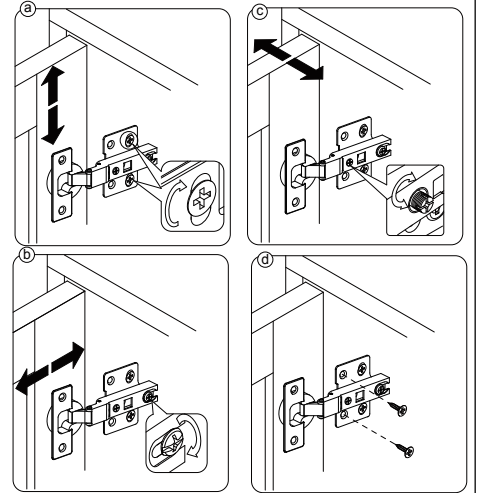
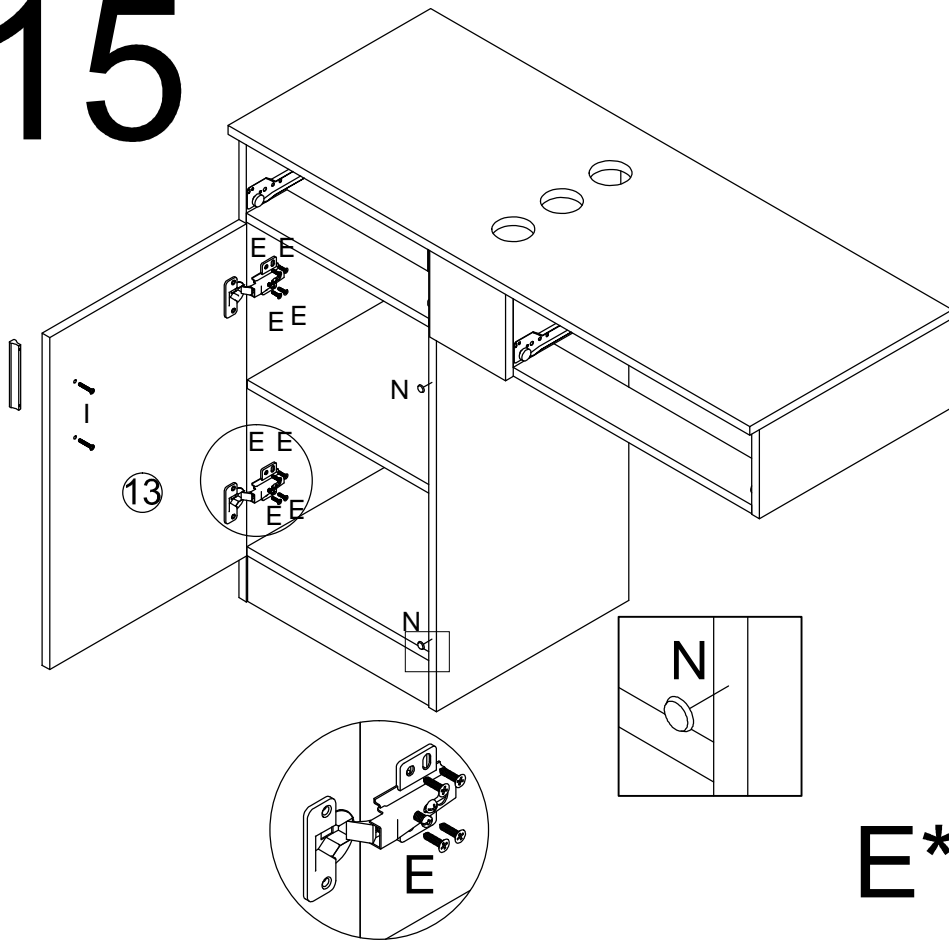
J*2

14



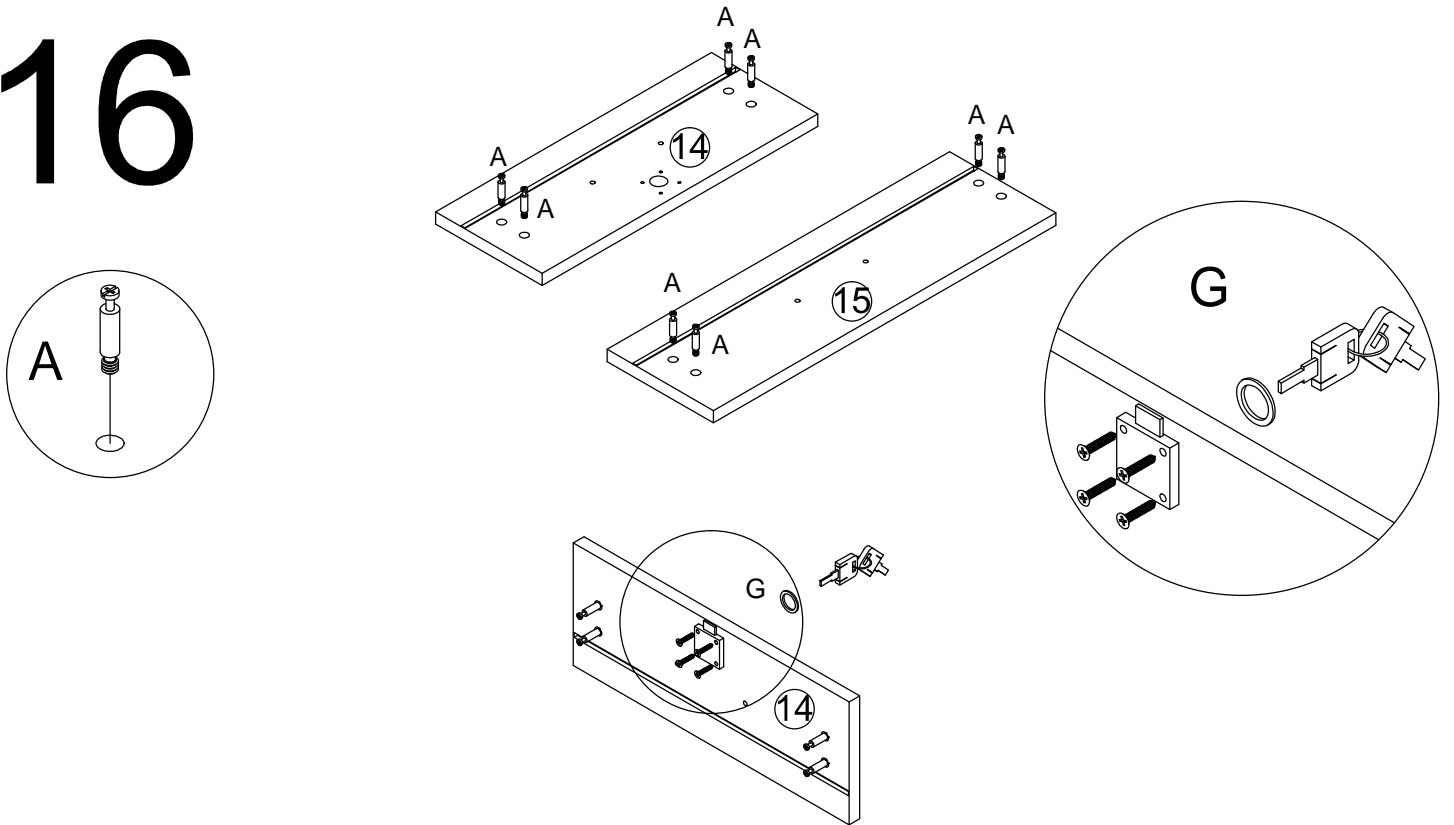
E*4+L*2

15



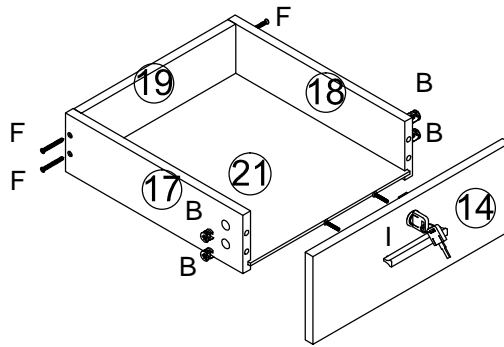
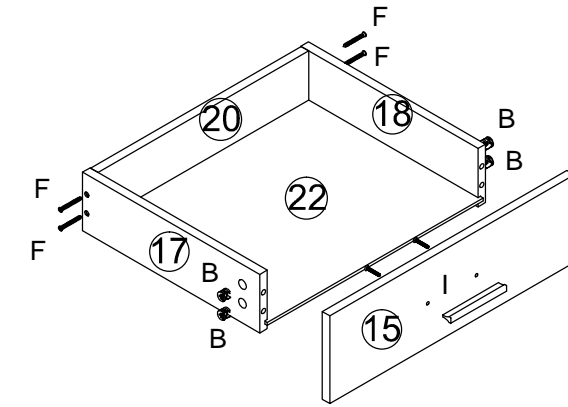
$E*8+I*1+N*2$

16



$A*8+G*1$

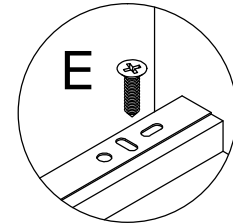
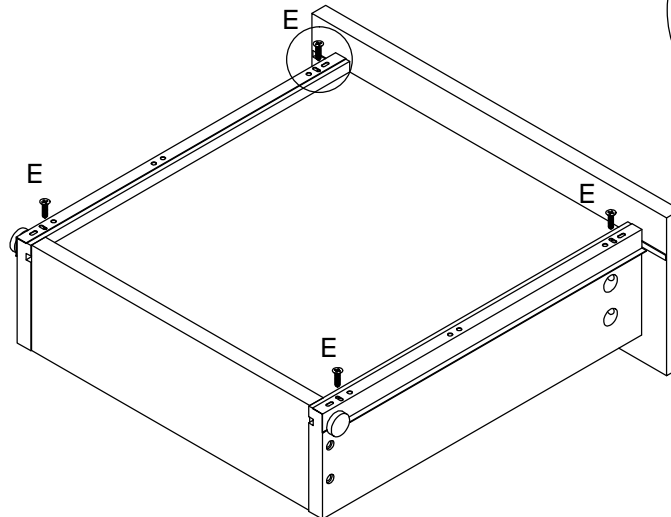
17



$B*8+F*8+I*2$

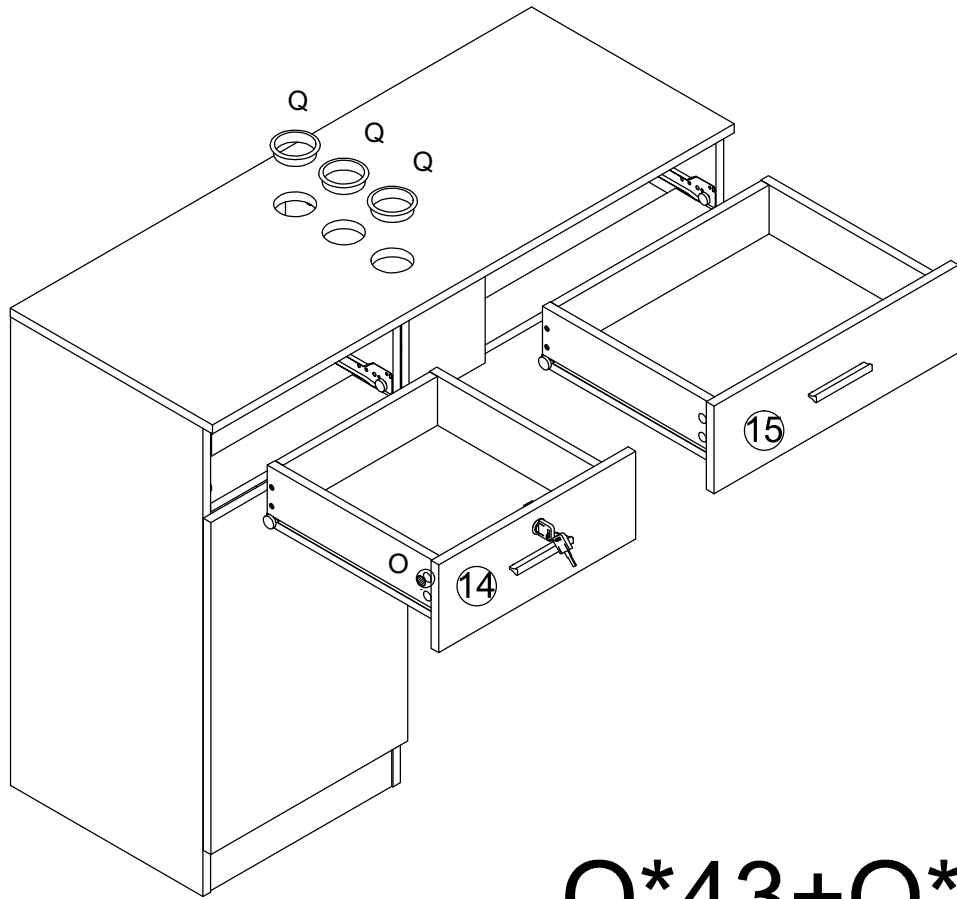
18

x2PCS



$E*8+M2*2$

19



O^*43+Q^*3

20

