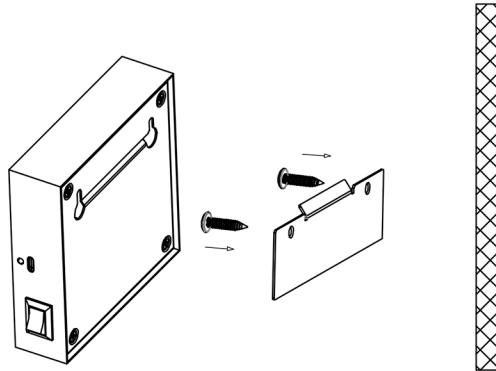


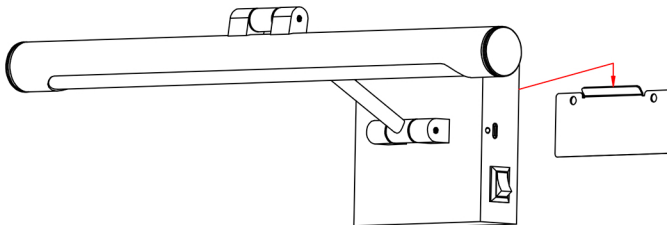
Installation Instructions

Secure the mounting bracket with screw kit(package included).

(1) Fix the mounting bracket on the wall with the screws.



(2) Fix the light on the bracket.



NOTE:

- * Remove fixture from its original package.
- * Prepare everything in a clear area.
- * Please check whether the product can work normally with the remote before you start assembly.
- * Read instructions carefully before you start assembly.
- * Please check if the red indicator light is on when charging.
- * It's recommended to use the 5V/2A charger to avoid long charging time.
- * Please charge the picture light with a 5V charger for 4 hours before use.
- * Keep this installation sheet for future reference.
- * Package list: Picture Light x1, Mounting Bracket x1, Screw Kit x2, Type-C USB Cable x1, Remote x1 .

