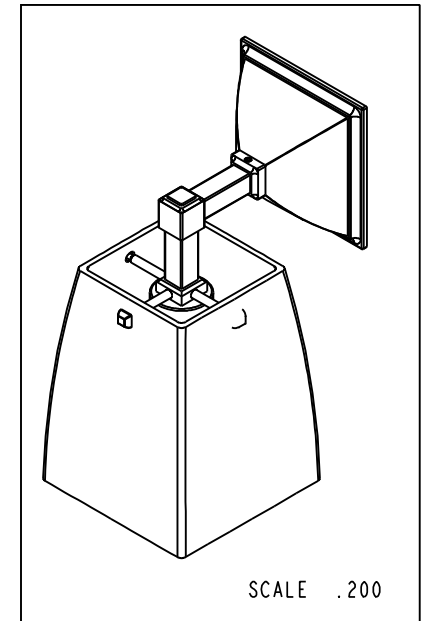
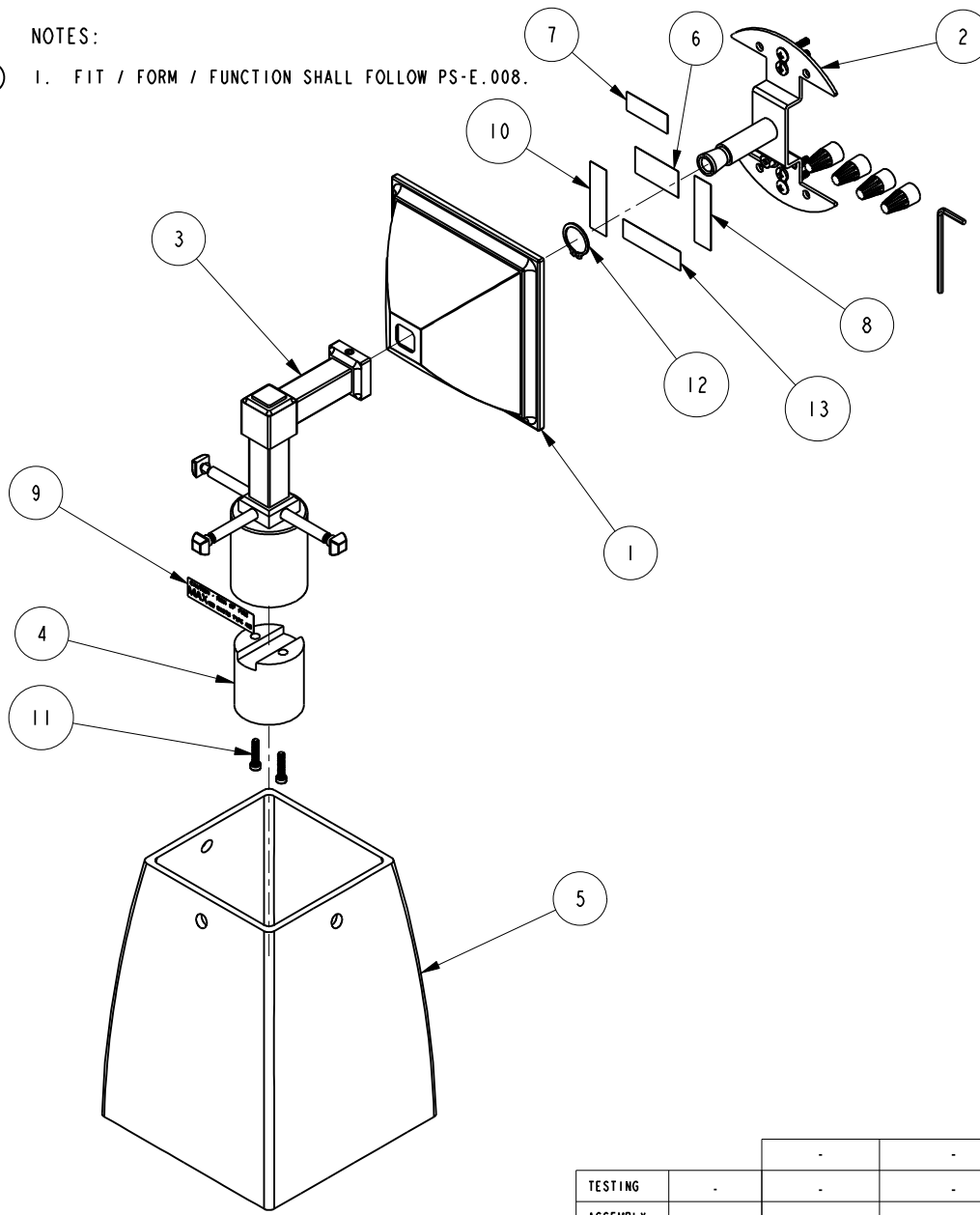


NOTES:

(N1) 1. FIT / FORM / FUNCTION SHALL FOLLOW PS-E.008.

BILL OF MATERIAL (CURRENT LEVEL)

ITEM	PT/ASSY	DESCRIPTION	TYPE	QTY.
1	1881-B	QUATTRO LIGHT BASE	PART	1
2	1881-CB	MOUNTING KIT	ASSEMBLY	1
3	1881D-BA	HOLDER ASSEMBLY	ASSEMBLY	1
4	ML7-20	PORCELAIN LAMPHOLDER	PART	1
5	1882D-G-SO	GLASS SHADE	PART	1
6	98006	LABEL, UL LISTED	PART	1
7	98079	LABEL, MONTH YEAR E222146	PART	1
8	98012	LABEL, WALL MOUNT ONLY	PART	1
9	98101	LABEL, 100 WATTS MAX	PART	1
10	98113	LABEL, PNXXX INCANDESCENT FOR DAMP LOCATIONS	PART	1
11	92389	SCRW, 6-32 X 5/8 FILLISTER HD SLT Zn PLATED	PART	2
12	92318	SNAP RING, 17MM X 1MM STEEL EXTERNAL	PART	1
13	98088	LABEL, MIN 75 C SUPPLY CONDUCTORS	PART	1



TESTING	-	-	-
ASSEMBLY	-	-	-
PLATING	-	-	-
POLISHING	-	NEXT ASSY	USED ON
MACHINING	-	APPLICATION	
TOOLING FIXTURE #	REMOVE ALL BURRS AND SHARP EDGES		

UNITS ARE: INCHES [MM]  
TOLERANCES ARE:  
FRACTIONS DECIMALS ANGLES  
±1/16" .X ±.1 [2,5] ±1°  
.XX ±.06 [1,5]

(X.XXX) DENOTES CRITICAL DIMS.  
ALL THREADS ARE CRITICAL

DRAWN AMARISH 08/29/16  
CHECKED RAVINDRA 08/29/16  
APPROVED R.S 08/29/16

**BRASSTECH** 2001 CARNEGIE AVE.  
INCORPORATED SANTA ANA, CA 92705  
(949) 417-5207

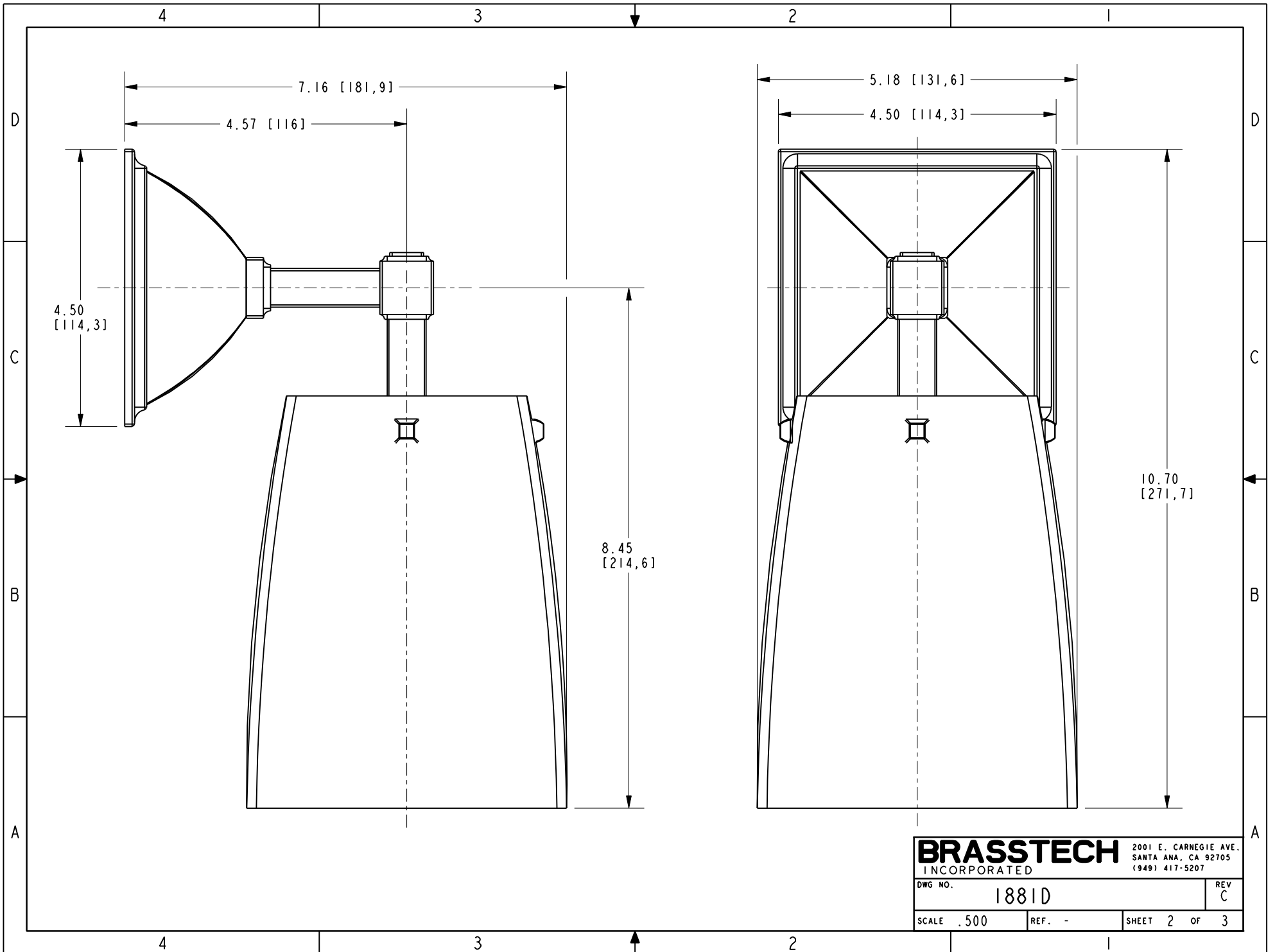
QUATTRO SINGLE DOWN LIGHT

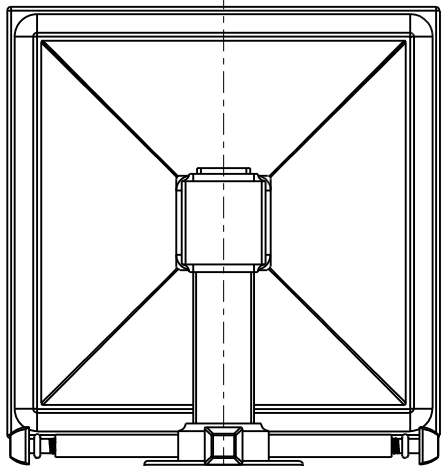
DWG NO. 1881D REV C

SCALE .250 REF. - SHEET 1 OF 3

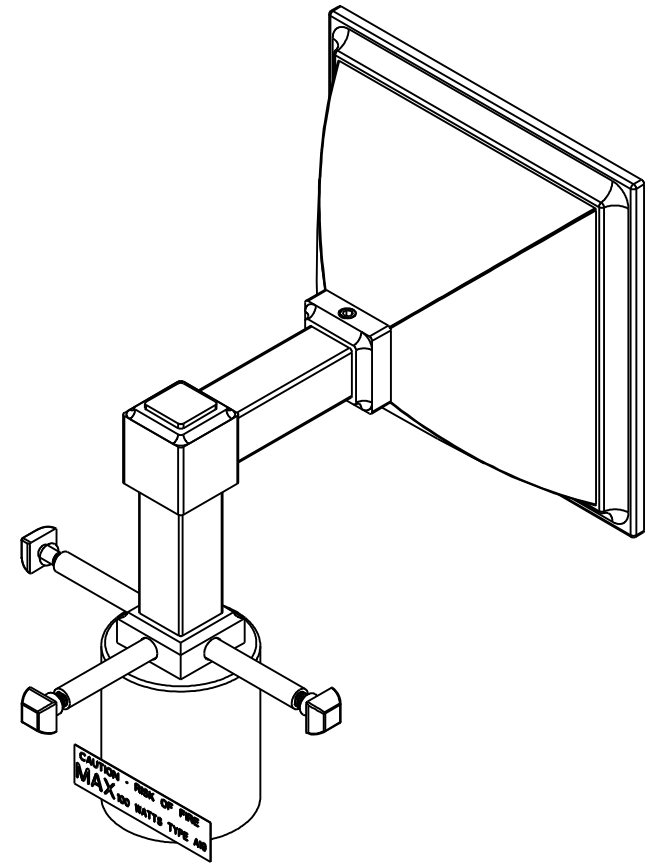
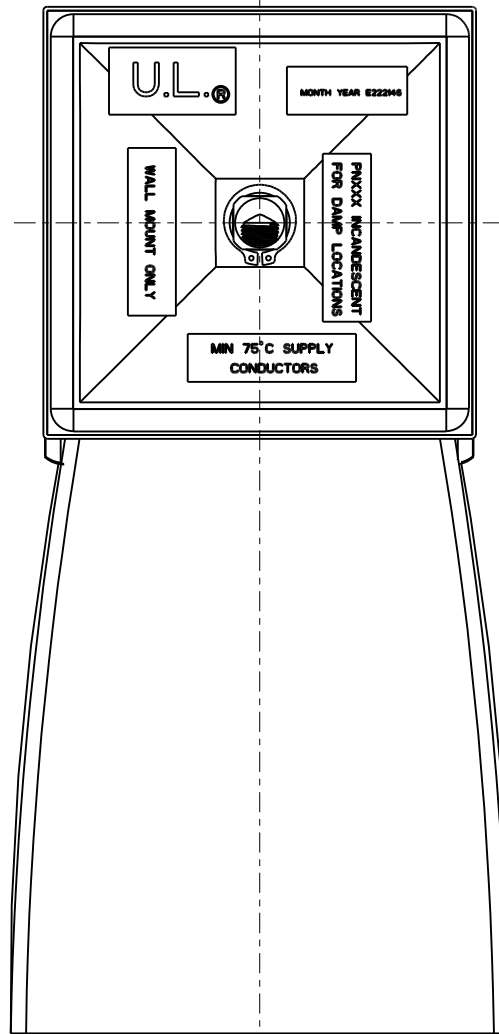
ZONE	REV	DESCRIPTION	DATE	APPROVED
-	C	EN-3127	08/29/16	R.S
-	B	EN-2461B	02/22/13	-
-	A	EN-1314	12/23/09	-

COPYRIGHT 2005 BRASSTECH, INC.  
THESE DRAWINGS AND THE DESIGNS  
DEPICTED HEREIN ARE THE PROPRIETARY  
PROPERTY OF BRASSTECH. ANY USE  
OR REPRODUCTION IS SUBJECT TO  
THE EXPRESS APPROVAL OF BRASSTECH.  
UNAUTHORIZED USE IS STRICTLY  
PROHIBITED. ALL RIGHTS RESERVED.





CAUTION - RISK OF FIRE  
**MAX** 100 WATTS TYPE A19



CAUTION - RISK OF FIRE  
**MAX** 100 WATTS TYPE A19

<b>BRASSTECH</b>		2001 E. CARNEGIE AVE.	
INCORPORATED		SANTA ANA, CA 92705	
		(949) 417-5207	
DWG NO.	1881D	REV	C
SCALE .500	REF. -	SHEET 3	OF 3