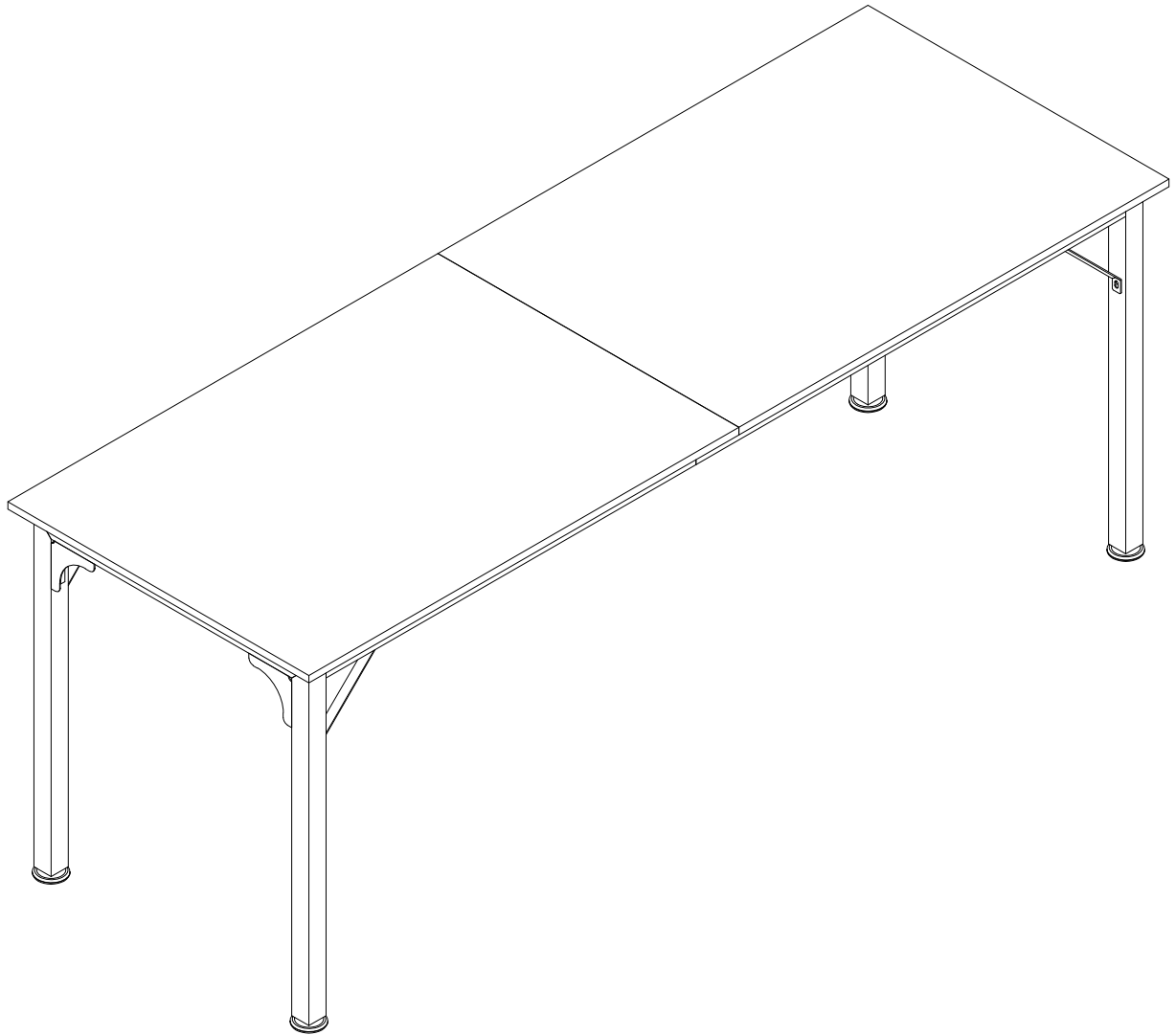
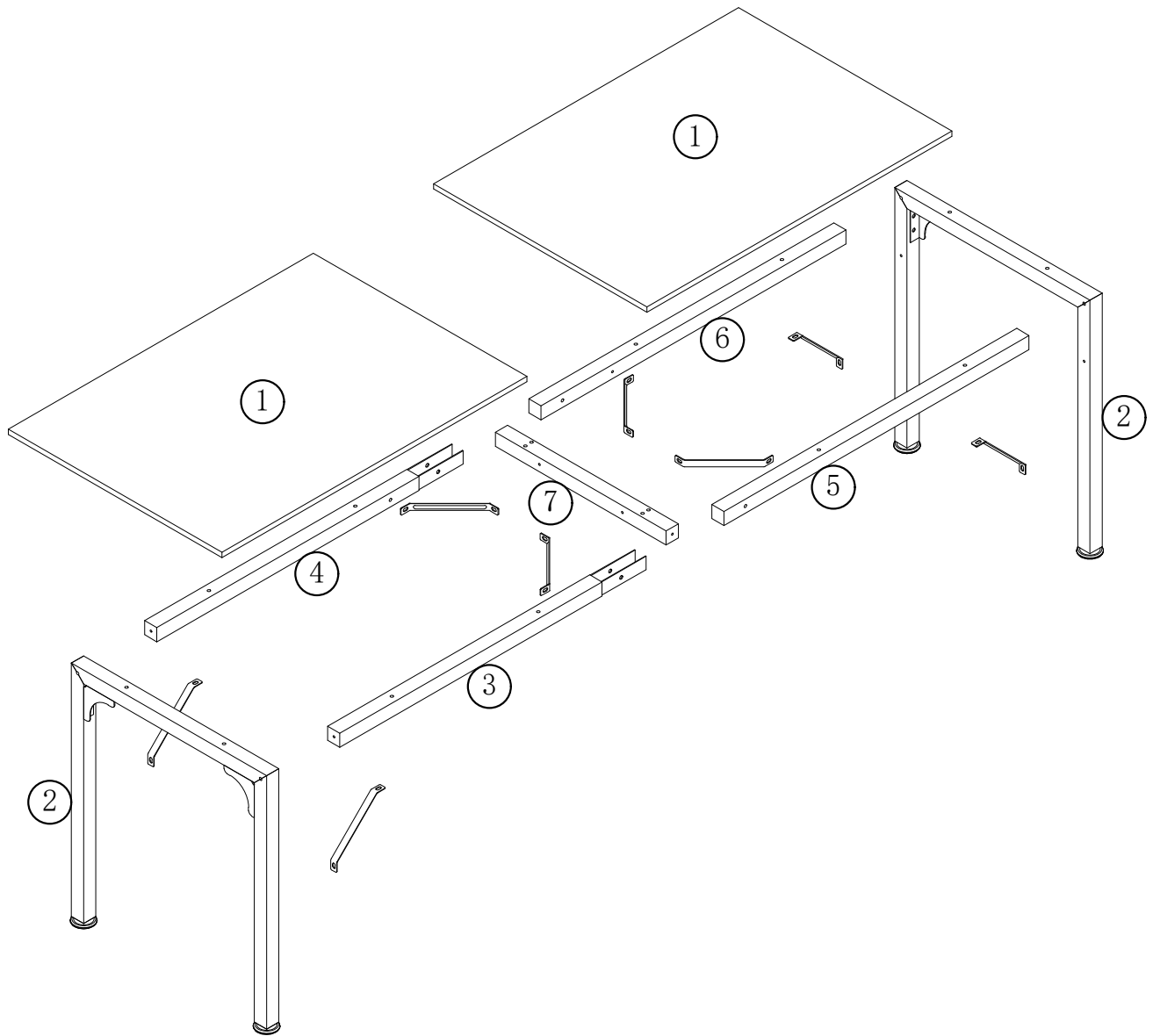
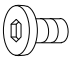
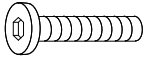
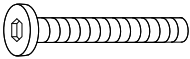

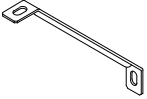

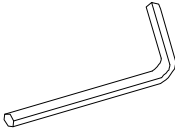


ASSEMBLY INSTRUCTION

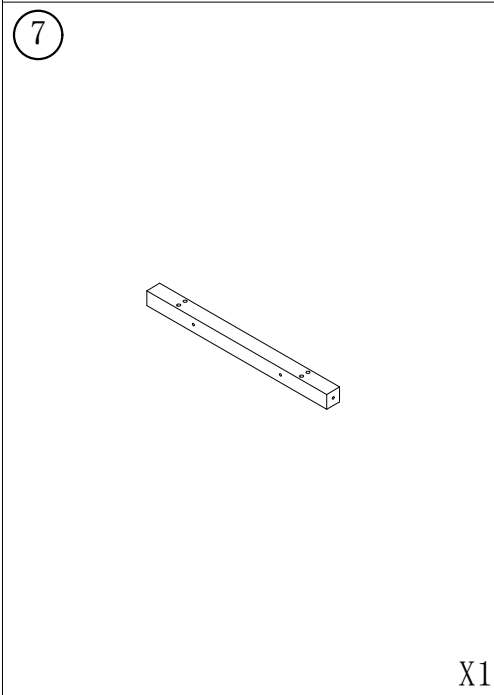
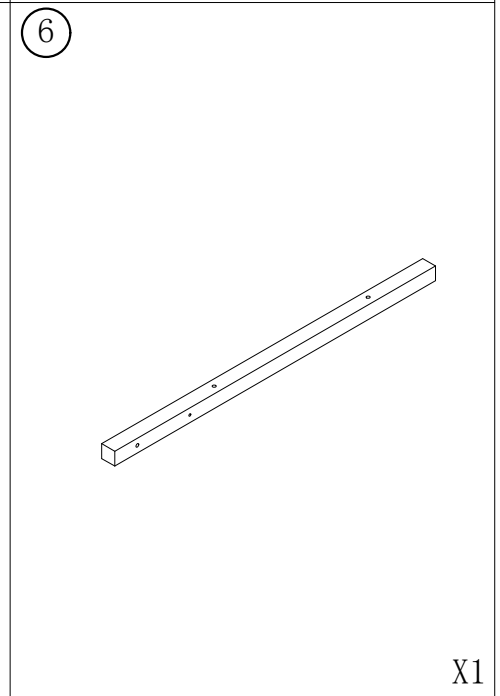
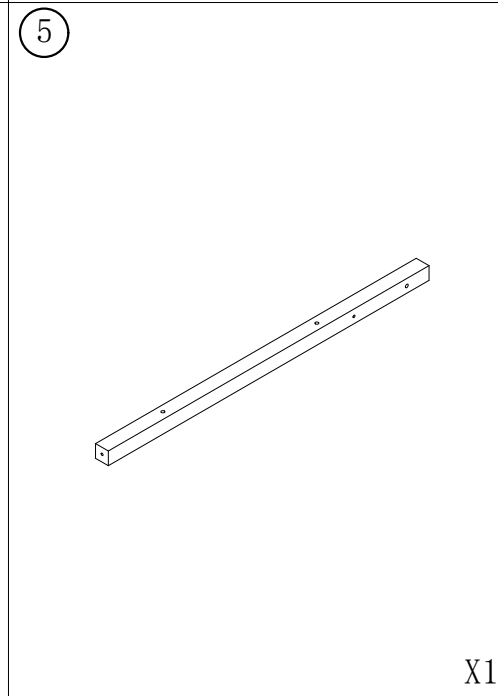
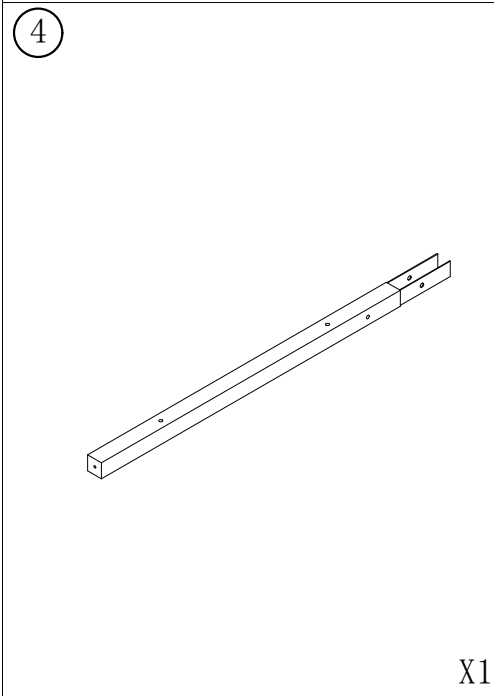
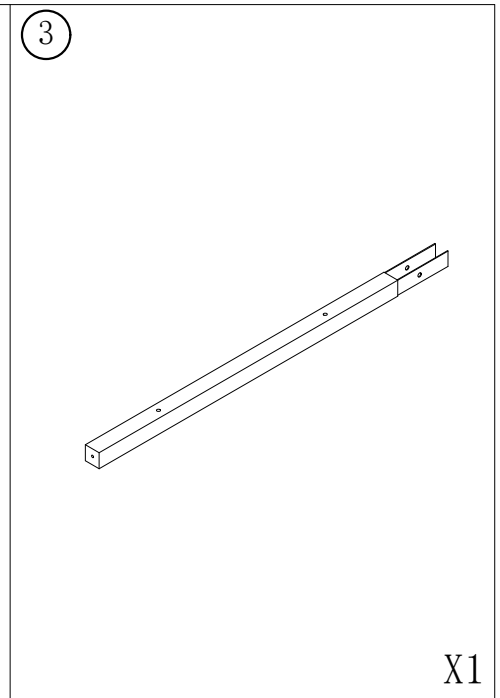
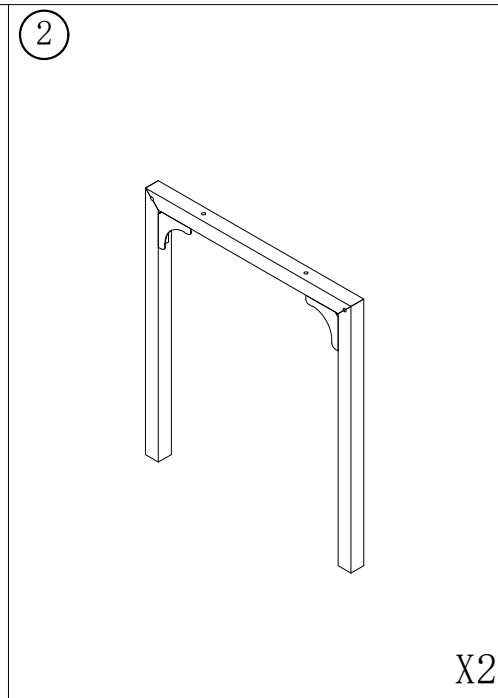
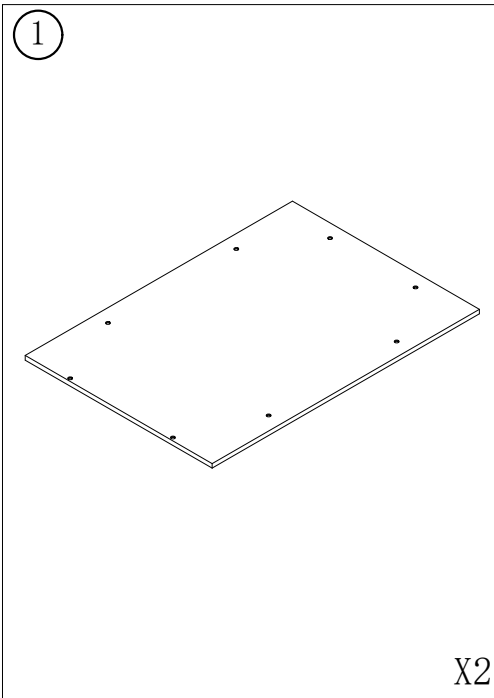


ASSEMBLY INSTRUCTION



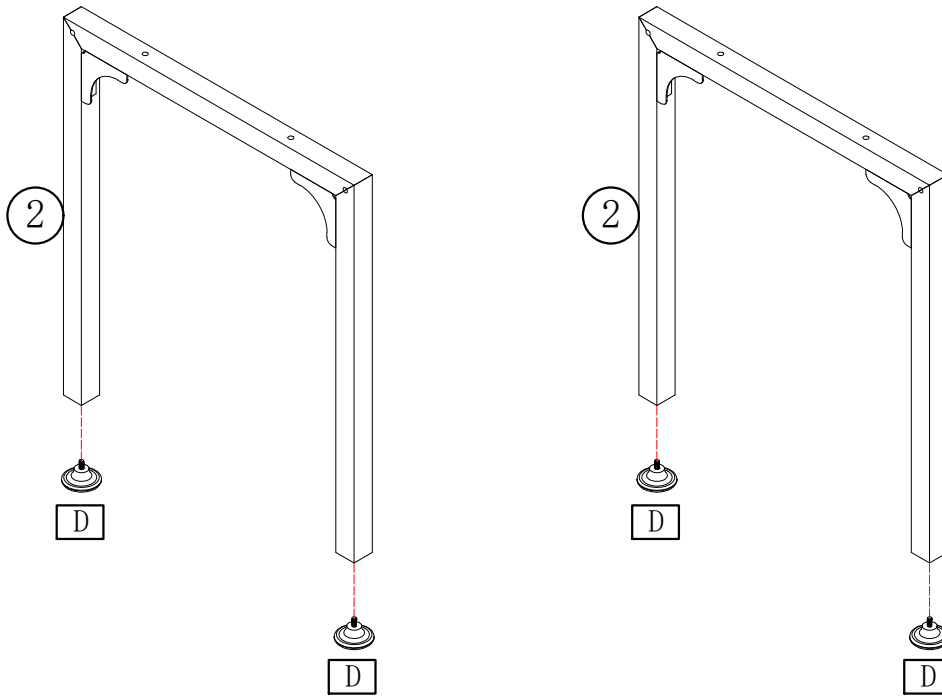
<p>A M6x12mm</p>  <p>X20</p>	<p>B M6x50mm</p>  <p>X16</p>	<p>C M6x60mm</p>  <p>X6</p>	<p>D M8</p>  <p>X4</p>
<p>E</p>  <p>X8</p>	<p>F M6</p>  <p>X16</p>	<p>G M6</p>  <p>X1</p>	


ASSEMBLY INSTRUCTION



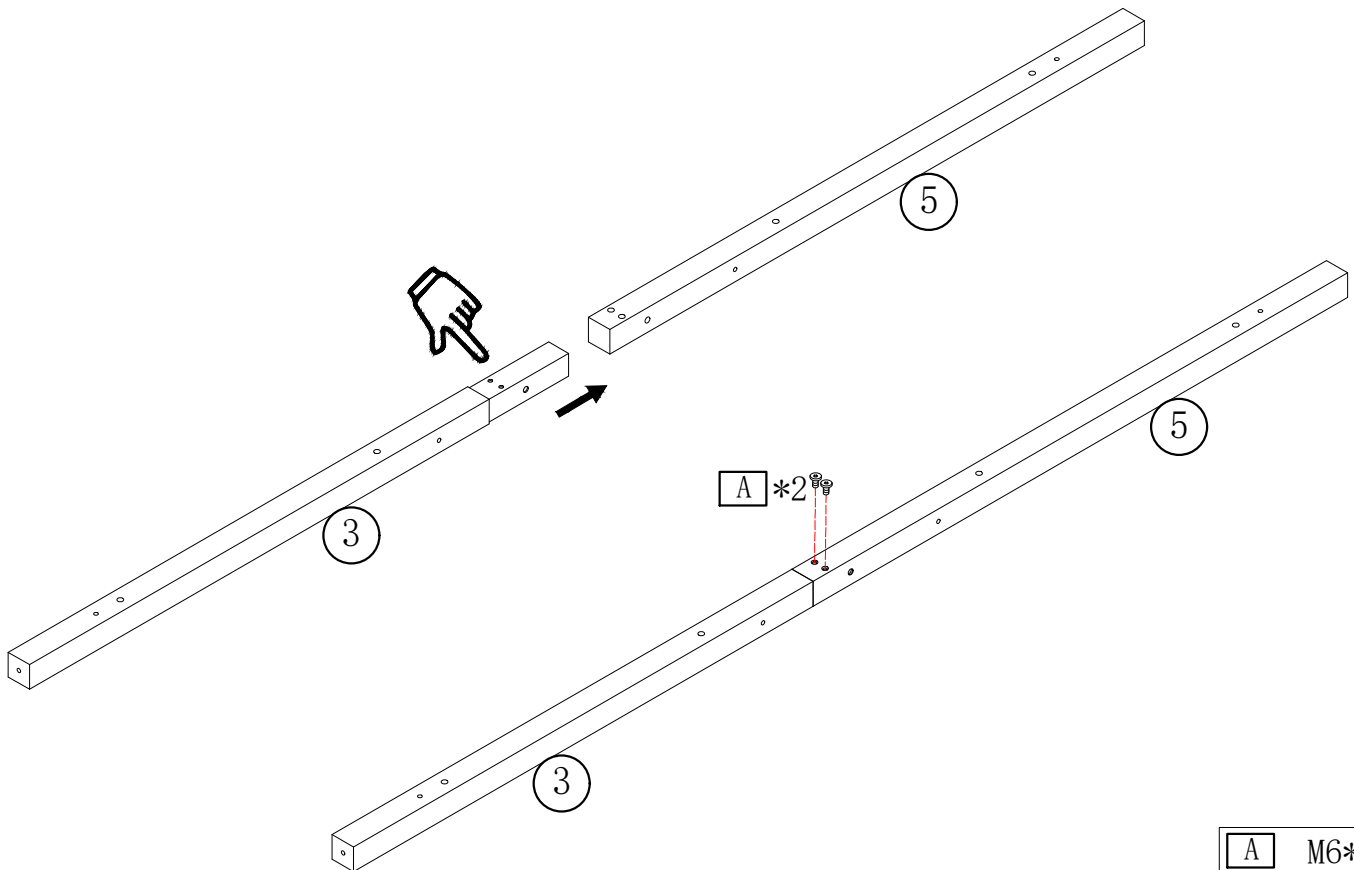
ASSEMBLY INSTRUCTION


STEP 1



D	M8
	*4

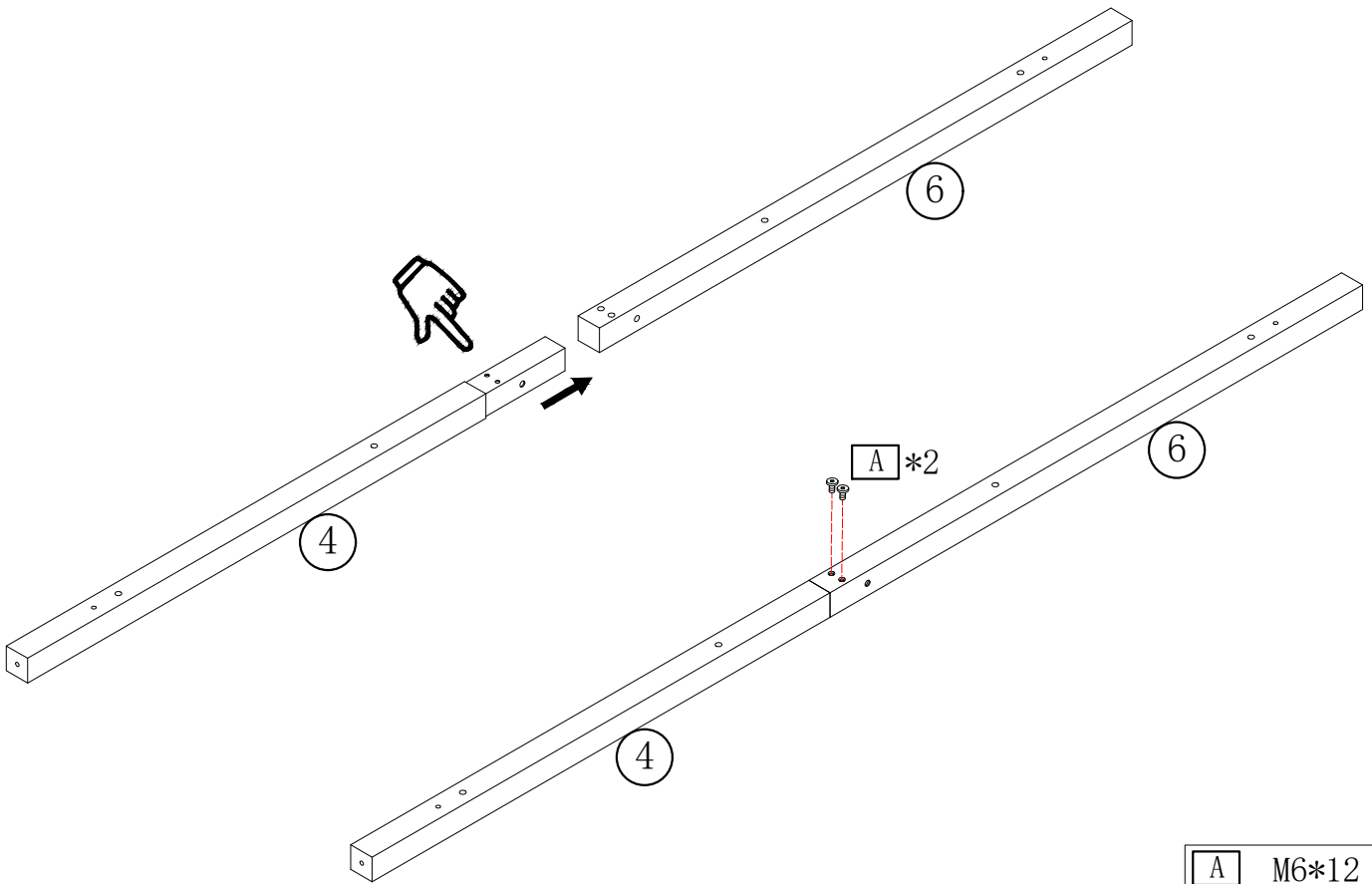
STEP 2




A	M6*12
	*2

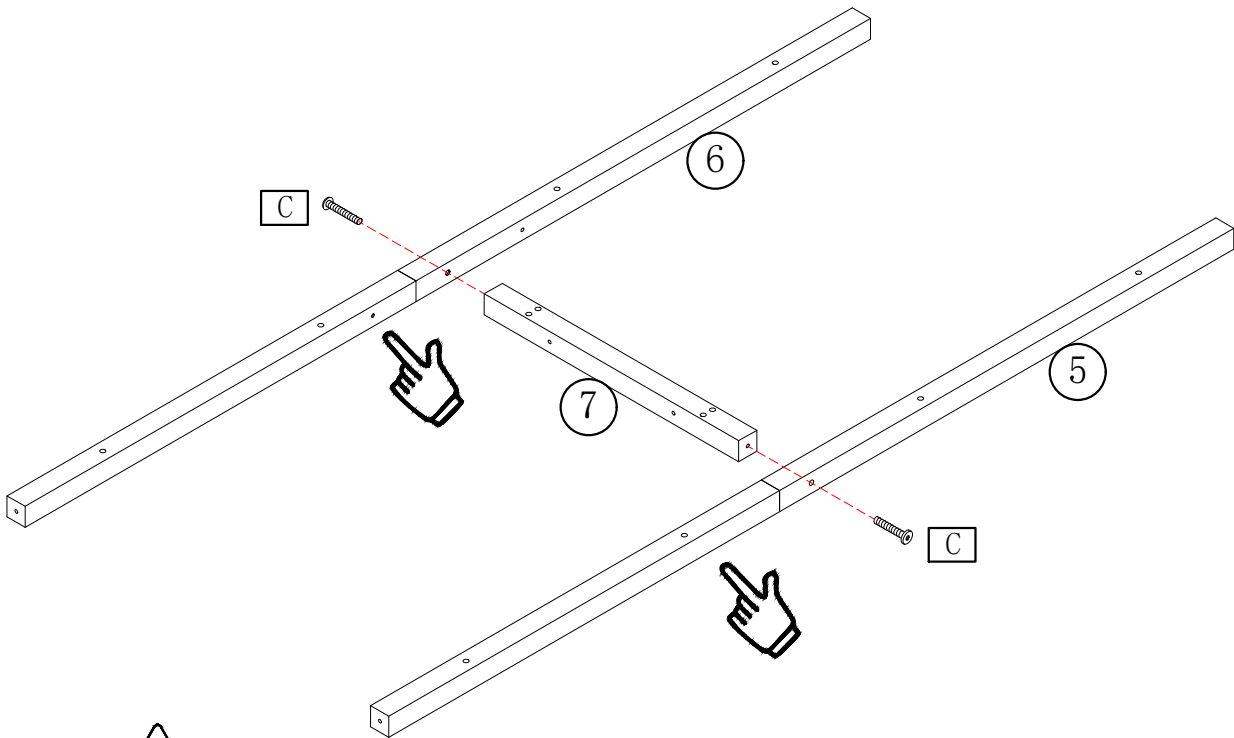
ASSEMBLY INSTRUCTION

STEP 3




A	M6*12
	*2

STEP 4

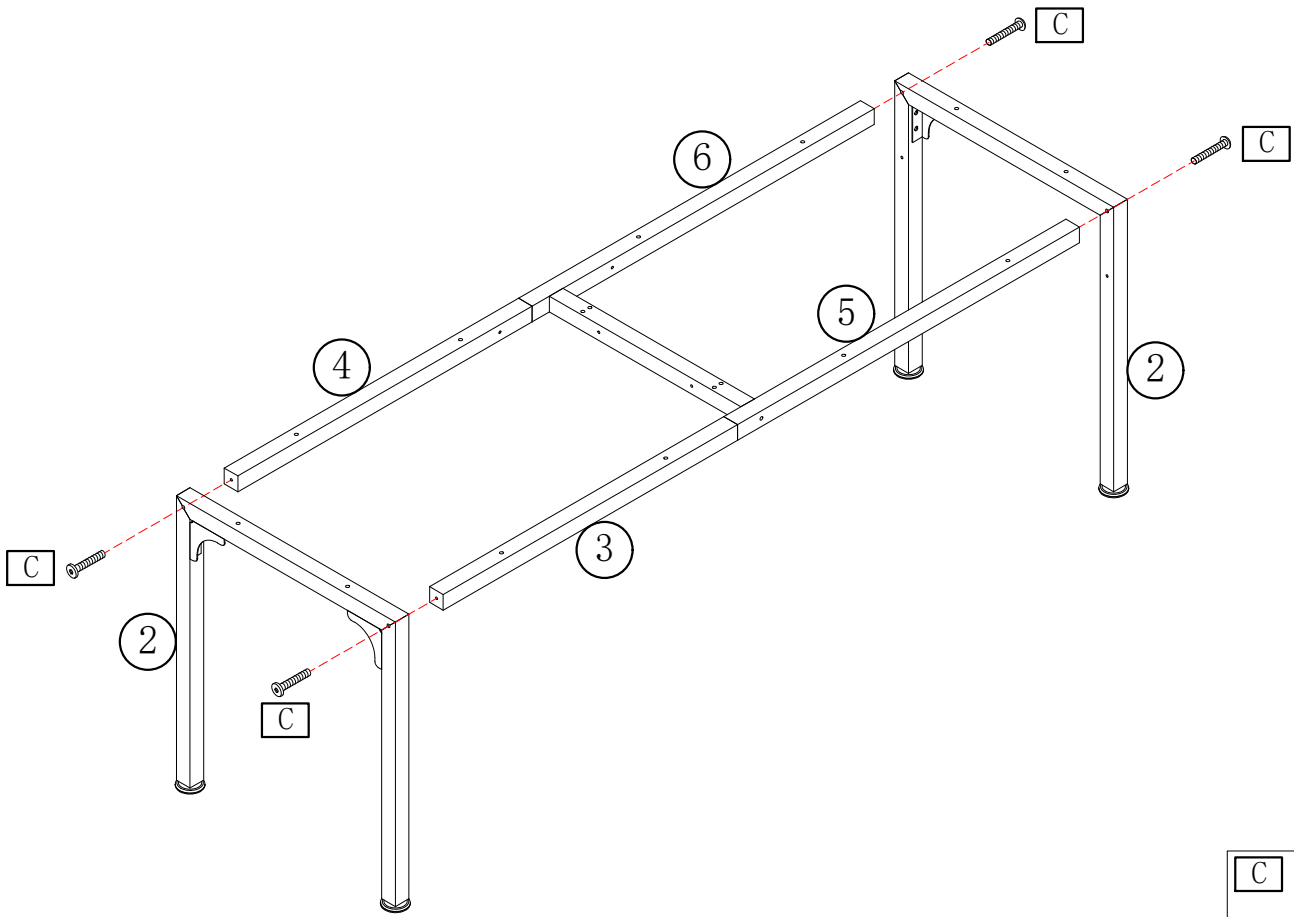


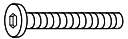
Note the orientation of the holes

C	M6*60
	*2

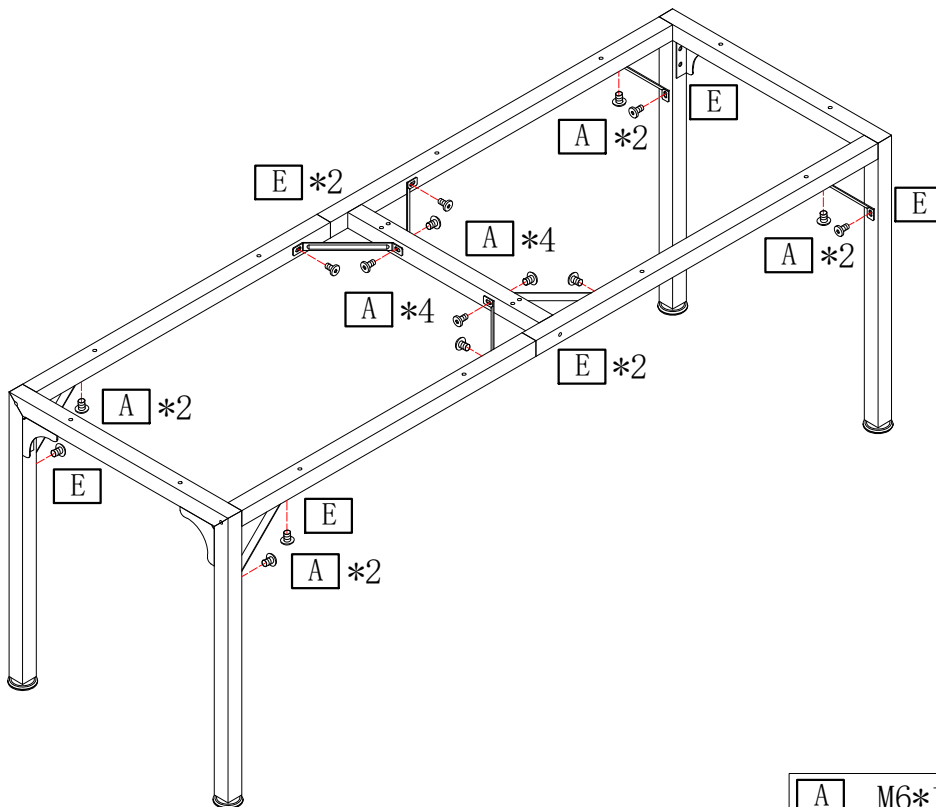
ASSEMBLY INSTRUCTION

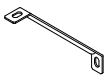

STEP 5



C	M6*60
	*4

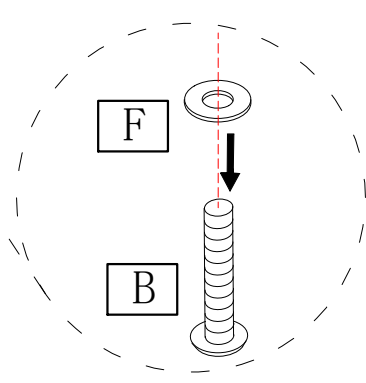
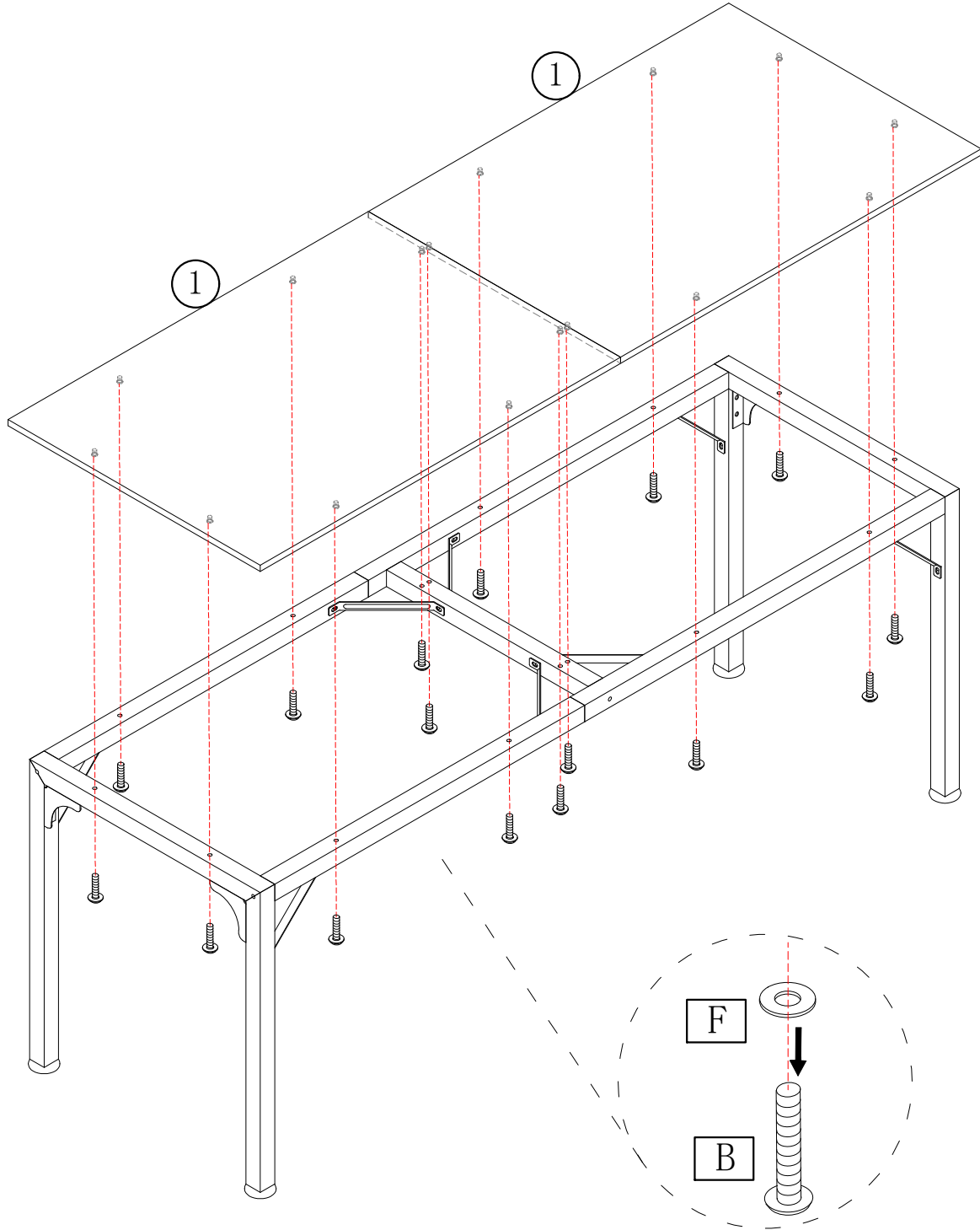
STEP 6

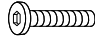



A	M6*12	E	
	*16		*8

ASSEMBLY INSTRUCTION

STEP 7



B	M6*50	F	M6
			
	*16		*16