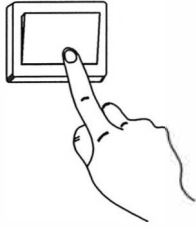
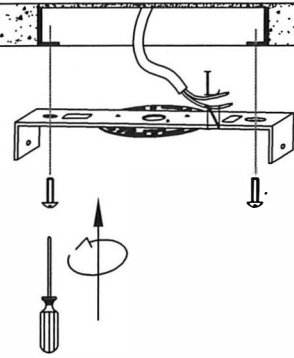


INSTALL INSTRUCTION

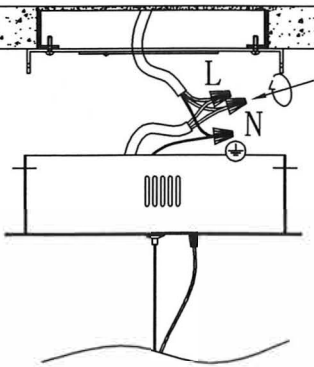
①



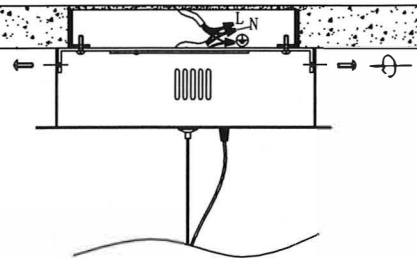
②



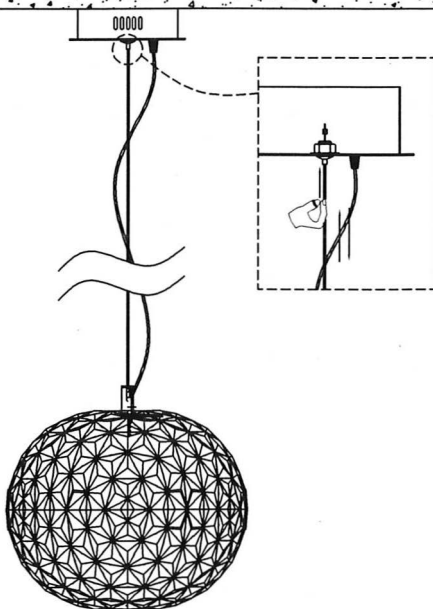
③



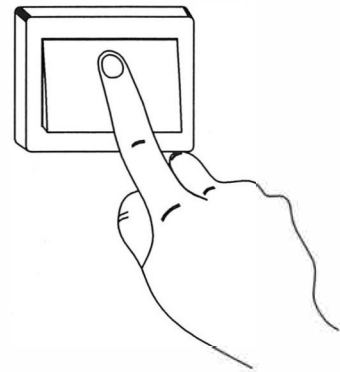
④



⑤



⑥



① turn off the power

② Padlock panel

③ Connect the power cord

④ Locking Plate screw, fixed lamp body

⑤ Lock the Crystal Block and adjust the height of the lamp body

⑥ Hang the crystal blocks, then connect to the power