

# aquataps

THE FILTERED TAP COMPANY

ULTRA MODEL

## Installation & User Guide

THE TAP FOR ALL



WELCOME TO YOUR BRAND NEW



# aquatap **ULTRA**

4 in 1 BOILING WATER TAP  
WITH PULL OUT SPRAY

## **IMPORTANT NOTICE:**

When correctly installed and maintained with care, your Aquataps boiling water tap will give you many years of trouble free service. **This product is not for outdoor use.** This product can cause harm if installed incorrectly. Should you decide to install this product yourself, please refer to the instructional videos or guide on our website. Alternatively, please contact a professional installation service.

**Please read and fully understand all installation instructions before installing and using this application. If in doubt contact a qualified plumber or retailer to assist.**

Ensure all parts are included and undamaged before installation. If anything is missing or faulty, contact customer service before proceeding.

A standard 220/240v grounded 13 amp switched electrical outlet is required under the sink for the appliance electrical power. The Aquataps instant hot water tank is only intended for use with compatible Aquataps boiling water taps. Using this tank with any other tap will invalidate the warranty.

Do not plug in the tank until all water connections have been checked, is watertight and the tank has been filled. The tank is considered full when water starts flowing from the tap spout. It is recommended before using the tank, to flush through several litres of water to remove any air in the system when installing.

Please note, that in order to avoid having pressurised boiling water and to comply with UK byelaws, this is an open vented system. In order to ensure the instant hot water tank delivers the highest quality drinking water and is protected from limescale build up, the water filter must be replaced **every 6 months**. Failure to do so may invalidate your product warranty.

Contact us at **info@aquataps.co.uk** or these can be purchased online at **www.aquataps.co.uk** or by calling **01268 727823**



- To prevent against electrical shock do not place the hot water tank near or in water or other liquids and install on a flat surface.
- Do not install in environments above 35°C or exposed to freezing.
- Can be used by children 12+ or people with learning difficulties if they have been given supervision or instructed on the hazards involved.
- Do not operate or install electrical connections with wet hands
- Do not install the appliance if it appears damaged in any way
- Only use power lead supplied with the product. If the power lead is damaged, stop using immediately and contact customer services for a replacement.
- Do not remove tank casing, this product is not serviceable and should be returned to the manufacturer in the event of a fault.
- Do not modify the tank or remove the plug as this will invalidate the warranty and could cause serious injury. Design for UK 3 pin socket only.
- If the unit is unused for extended periods of time it should be unplugged, drained, re-filtered and refilled.
- The tap and water tank can be cleaned with a lint free damp cloth.
- Do not use any abrasive or corrosive cleaning products as this will damage the surface of the product.
- Replace the filter every 6 months

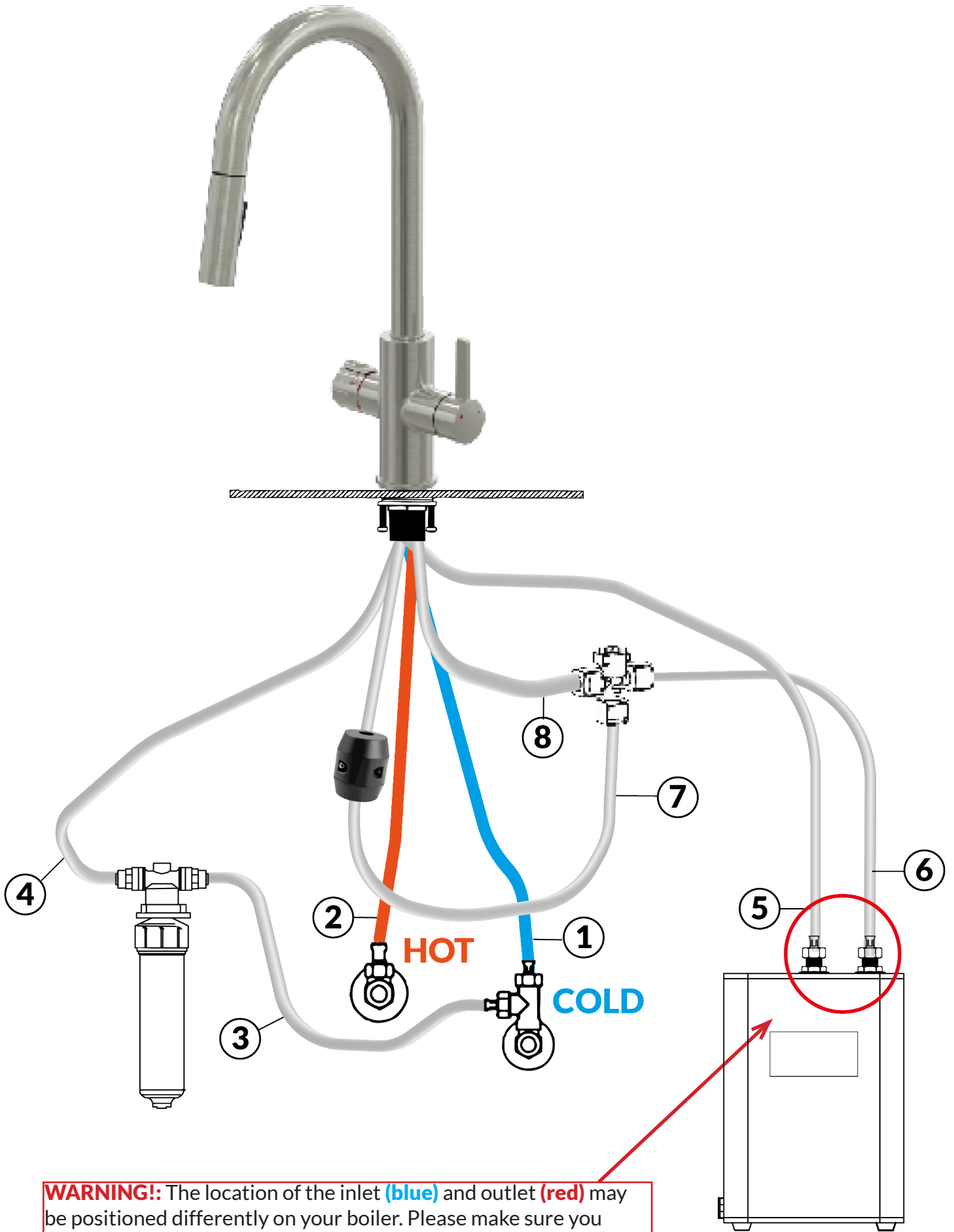


## aquatap **ULTRA**

4 in 1 BOILING WATER TAP  
PULL OUT SPRAY

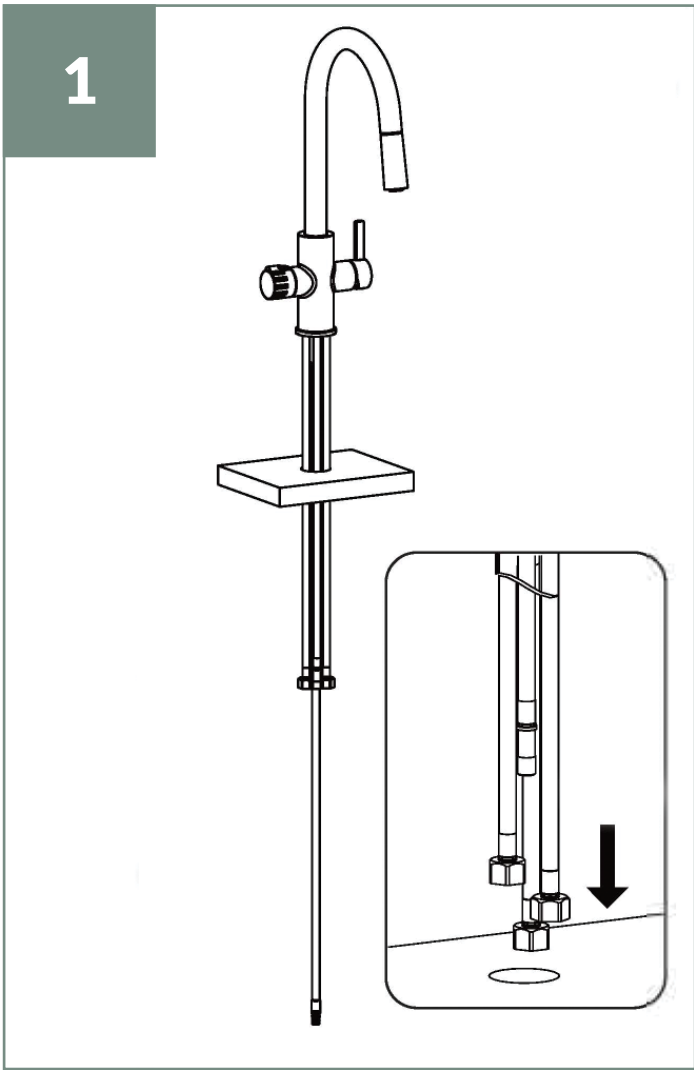
- 1x **A** Faucet
- 1x **B** Spray Head
- 1x **C** Screw Stem
- 1x **D** CounterWeight
- 1x **E** Triangle Cushion
- 1x **F** Rubber Washer
- 1x **G** Metal Washer
- 1x **H** Mounting Nut
- 1x **I** Wrench
- 1x **J** Metal T Piece
- 1x **4** Drinking Water Hose Outlet
- 1x **5** Water Supply Hose to Boiler
- 1x **K** Plastic Three-way Connector
- 1x **L** Wall Mount With Screw
- 1x **8** Outlet Hose
- 1x **2** Hot Supply Hose
- 1x **1** Cold Supply Hose
- 1x **6** Boiling Water Outlet Hose
- 1x **3** Drinking Water Outlet Hose
- 1x **7** Pull-Down Hose



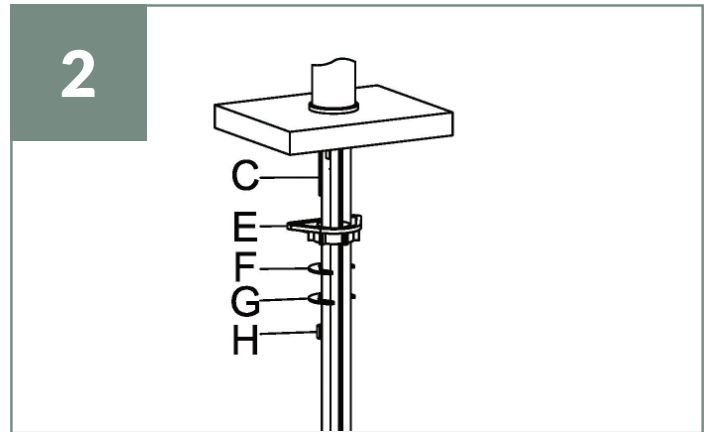


**WARNING!:** The location of the inlet (blue) and outlet (red) may be positioned differently on your boiler. Please make sure you connect the hoses correctly.

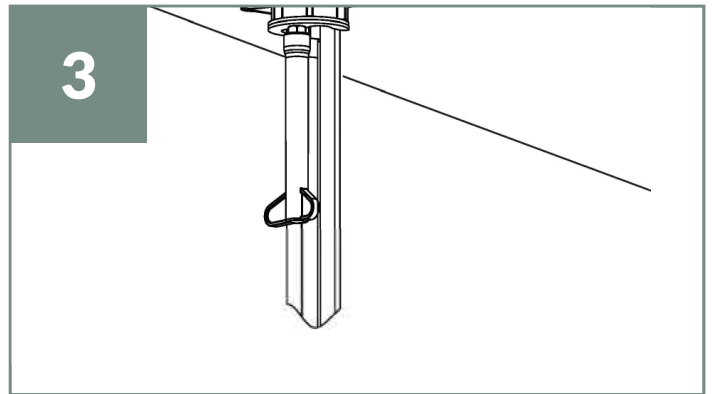
**TOP TIP :** Pass the 3 hoses with nuts through the surface hole first and then pass the 3 hoses without nuts to help with your installation.



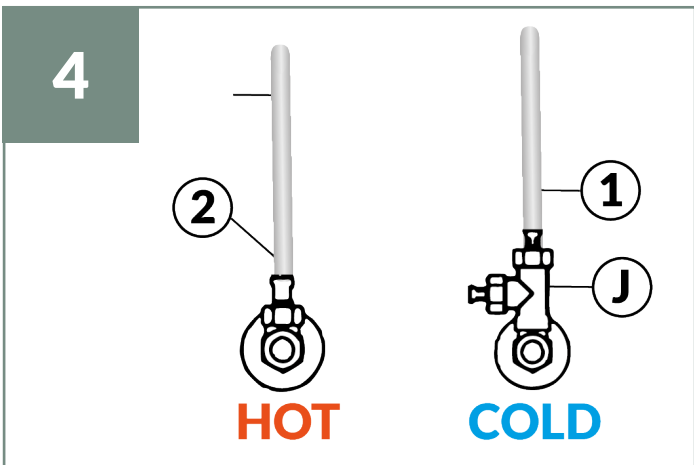
Take the faucet from the packaging box and place all the hoses through the tap hole.



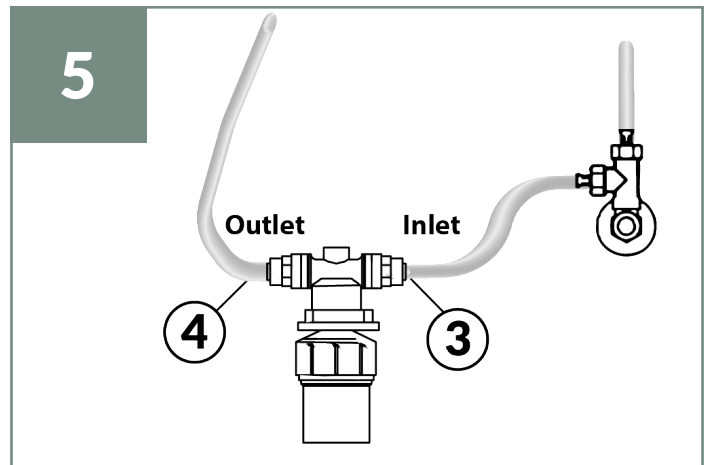
Place all hoses through the **triangle cushion (E)** first, then using the **mounting nut (H)** fix the **rubber washer (F)** and **metal washer (G)** onto the **screw stem (C)**.



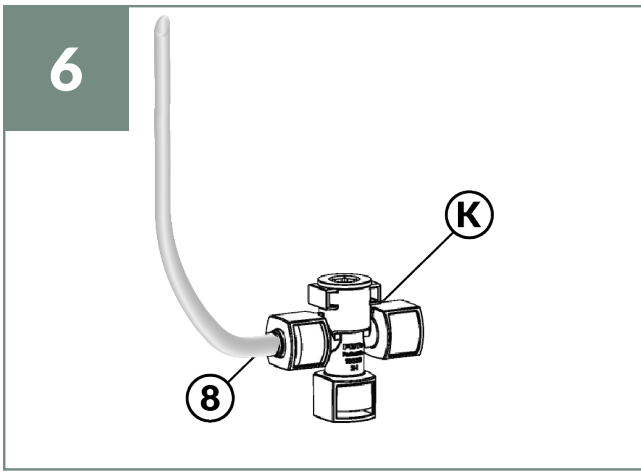
Adjust the faucet to the correct position, and tighten the **mounting nut (H)** with the **wrench (I)**.



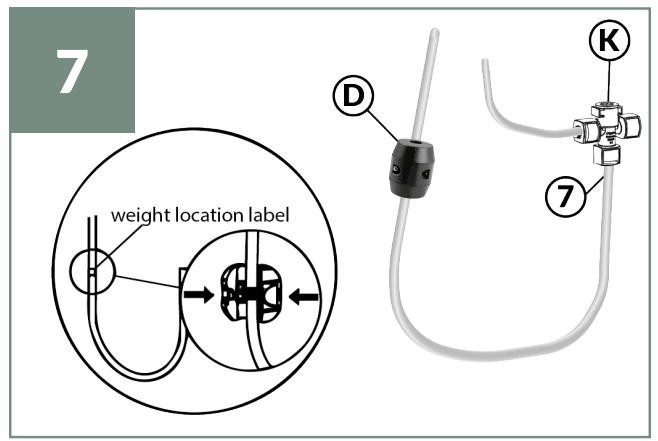
Connect the **Metal T Piece (J)** to your cold feed. Then connect **hose number (1)** (blue label) to one side of the **Metal T Piece (J)**. Connect **hose number (2)** (orange label) to your mains hot supply.



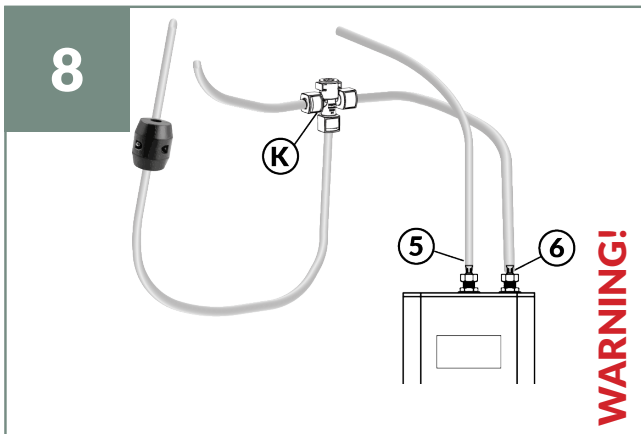
Connect one end of **hose number (3)** to the **Metal T Piece (J)** on your mains cold supply and push the other end into the inlet of the **filter housing**. Connect **hose number (4)** to the outlet of the **filter housing**. The flow direction is marked on the filter housing using arrows.



Connect **hose number (8)** to the **Plastic Three-way Connector (K)** where it is marked with the number (8).

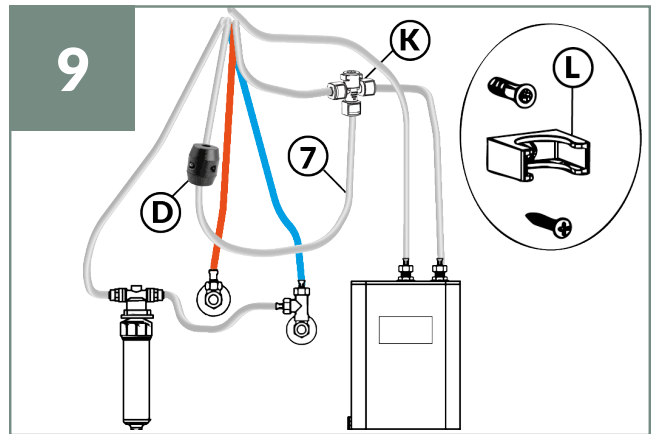


Attach **hose number (7)** to the **Plastic Three-way Connector** where it is marked number (7). Attach the **counterweight (D)** to the marked position on **hose number (7)**.



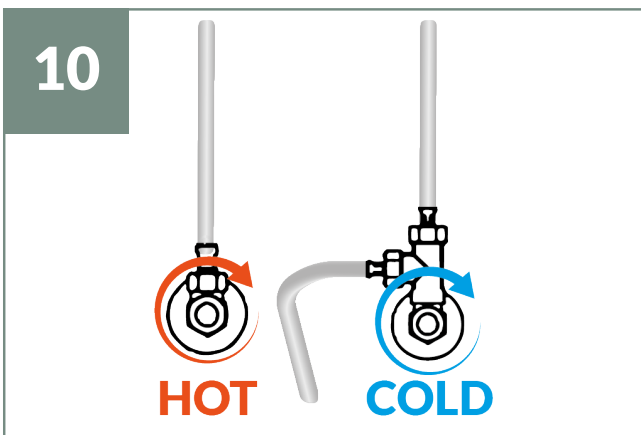
Connect **hose number (5)** to the inlet of the boiler (**BLUE**). Connect one end of **hose number (6)** to the outlet (**RED**) of the boiler and the other end to the **Plastic Three-way Connector** marked number (6).

**WARNING!** The inlet and outlet of the boiler may differ. The inlet is always in the colour **BLUE** and the outlet is always in the colour **RED**.

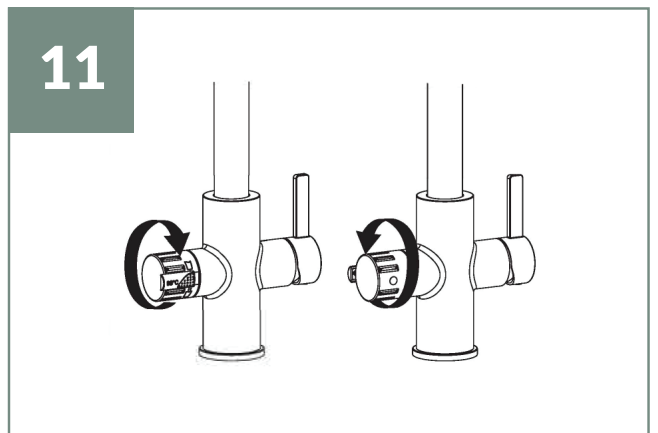


Tidy up all hoses, so they don't get tangled up. Please leave enough space for the **pull-down hose number (7)** with **counterweight (D)** to move up and down without interference to ensure the pull-out function works properly. The wall mount can be screwed to the wall, and **Plastic Three-way Connector** can be attached to the wall mount.

**WARNING!** Do not plug the Boiler in yet!



Turn on the water supply and check all connections for leaks.



Slide the **safety catch on the left handle**, then **turn it away** for filtered water. **Run 3 litres to flush the filter.** **Turn the handle towards you** to fill the boiler; this may take a minute, no water will come out of the tap until the boiler is full. **Once all connections are secure and checked for leaks, you may now plug in and switch on the boiler.**



aquataps  
THE FILTERED TAP COMPANY

## CUSTOMER CARE

Tel: 01268 727823

Email: [info@aquataps.co.uk](mailto:info@aquataps.co.uk)

[www.aquataps.co.uk](http://www.aquataps.co.uk)