

Cabinet

Assembly Instruction - Please keep properly for future reference.

If you find any missing boxes, damaged parts, or accessory shortages, please contact the customer service team of your purchasing channel immediately. We will resolve the issue as quickly as possible.



Dimensions

Width - 53.9inch
Depth - 15.7inch
Height - 31.5inch

EN

CONTACT US

In order to receive assistance more quickly, please provide

THE FOLLOWING INFORMATION:

- Order number
- Purchase platform
- Purchase date
- Detailed description of the issue along with photos (if applicable)

Important – Please read these instructions carefully before starting the installation.



Safety and Care Advice

Important – Please read these instructions fully before starting assembly

- Check you have all the components and tools listed on the following pages.
- Remove all fittings from the plastic bags and separate them into their groups.
- Keep children and animals away from the work area, small parts could choke if swallowed.
- Make sure you have enough space to layout the parts before starting.

- During assembly do not stand or put weight on the product, this could cause damage.
- Assemble the item as close to its final position (in the same room) as possible.
- Assemble on a soft level surface to avoid damaging the unit or your floor.
- Parts of the assembly will be easier with 2 people.



- To reduce the likelihood of damaging your product please ensure that your power drill is set on a low torque setting.

Care and maintenance

- Only clean using a damp cloth and mild detergent, do not use bleach or abrasive cleaners.
- From time to time check that there are no loose screws on this unit.
- This product should not be discarded with household waste. Take to your local authority waste disposal centre.

Handy Hints

- Assemble all parts and bolts loosely during assembly, only once the product is complete should you fully tighten the bolts
- Regularly check and ensure That all bolts and fittings are tightend properly.

WARNING

In order to help prevent overturning – please follow these instructions

To help prevent product toppling over please follow the below steps:

Use the anti tip strap or wall fixing method provided (if applicable)
Do not allow children to climb or hang on the furniture
Do not open more than one drawer at a time
Do not place heavy items in the top drawers
Do not place heavy items on top of the furniture, unless the furniture has been designed for this purpose

Please note that only the anti tip strap is provided.
You will need to provide wall plugs and screws applicable for your wall type

CUSTOMER SERVICE GUIDE

Thank you for choosing our product! We are committed to providing you with excellent service. If you find any missing parts, damaged packaging, or product damage after receiving all packages, please follow the steps below to quickly contact our customer service team. We will do our best to resolve your issue.

1. Missing Parts

Verify Parts:

1. Refer to the “Parts List” in the manual to verify the name, specifications, and quantity of the missing parts.
2. Take a clear photo of the parts list and mark the missing parts with detailed information, e.g., “Missing 5 pieces of M6x30mm screws.”

Contact Us:

- A description of the missing parts and a photo of the parts list.
- Order details (order number, purchase platform, purchase date).

2. Product or Packaging Damage

If it affects normal use:

Steps:

1. Take clear photos or videos showing the damaged parts and the extent of the damage (multi-angle shots are recommended).

Resolution:

After verification, we will arrange for a replacement part, product exchange, or refund as quickly as possible.

If it does not affect normal use:

Steps:

2. Provide a description of the damage and include relevant photos or videos.

Resolution:

We will provide repair guidance or an appropriate compensation plan based on the specific situation.

Helpful Tips

To process your issue efficiently, please prepare the following information:

- Order details (order number, purchase platform, purchase date).
- Clear photos or videos.
- We are committed to providing quick and professional solutions, no matter the size of the issue, to ensure your satisfaction.

Thank you for your trust and support! We hope you enjoy using our product!

Parts List-Panels

Please check you have all the panels listed below



1 (780X360X12mm)X1



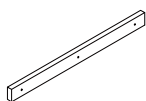
2 (780X360X12mm)X1



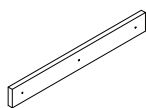
3 (780X43X15mm)X1



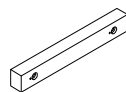
4 (780X43X15mm)X1



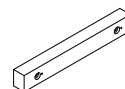
5 (376X30X12mm)X2



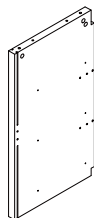
6 (376X45X12mm)X2



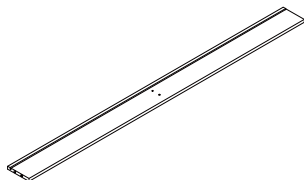
7 (300X40X30mm)X3



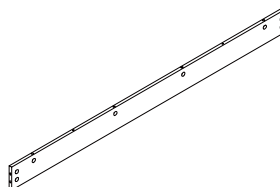
8 (300X40X30mm)X3



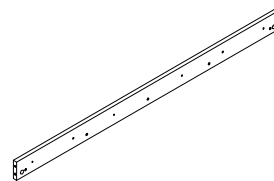
9 (675X375X28mm)X1



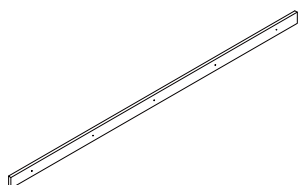
10 (1297X100X12mm)X1



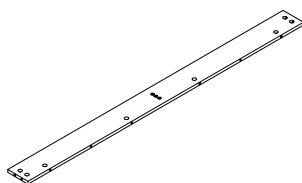
11 (1297X93X12mm)X1



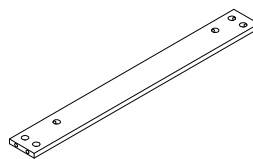
12 (1236X75X15mm)X1



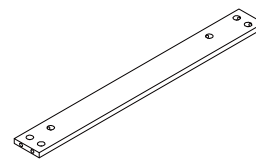
13 (1348X45X12mm)X1



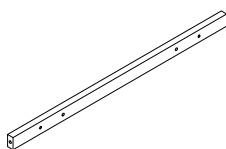
14 (1297X96X12mm)X1



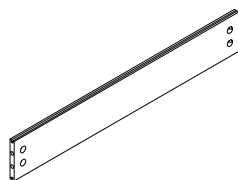
15 (634.5X70X12mm)X2



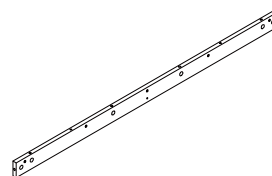
16 (634.5X70X12mm)X2



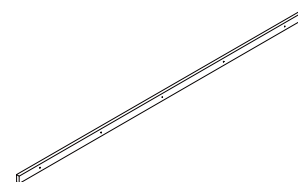
17 (604X30X15mm)X4



18 (634.5X96X12mm)X2



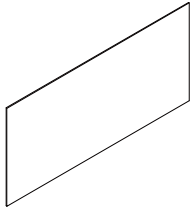
19 (1236X60X15mm)X1



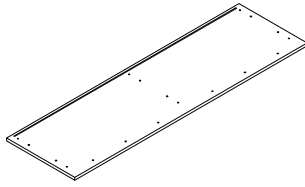
20 (1348X30X12mm)X1

Parts List-Panels

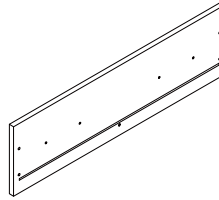
Please check you have all the panels listed below



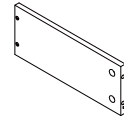
21 (645X300X3mm)X4



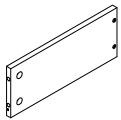
22 (1370X400X15mm)X1



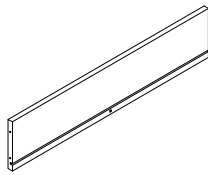
23 (599X170X12mm)X6



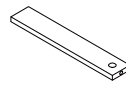
24 (300X120X12mm)X6



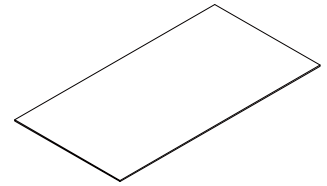
25 (300X120X12mm)X6



26 (555X120X12mm)X6



27 (287X50X12mm)X6

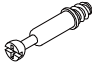


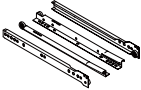



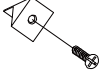





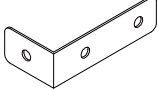

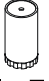




28 (565X297X3mm)X6

Parts List-Fittings

Please check you have all the hardware listed below

Note: The quantitie below are the correct amount to complete the assembly. In some cases more fittings may be supplied than are required.

A  6*40mm Male Camlock x 105	B  Female Camlock x 105	C  Ø6*30mm Dowel x 36
D  Drawer slider 12"x 6	E  5*45mm Screw x 4	F  3*12mm Screw x 48
G  4*30mm Screw x 30	H  Back Panel Stiffener x 16	I  6*20mm Screw x 20
J  6*35mm Screw x 12	K  Handle & Fixings x 12	L  Wall Fixing Pack x 2
M  Protective Feet x 9	N  x 4	O  4*12mm Screw x 12
P  Adjustable Foot x 1	Q  8*30mm Bolt x 1	R  Allen Key M4 x 1

Tools required



Phillips screwdriver
(medium & large)

Ruler - Use this ruler to help correctly identify the screws

mm



The screws length is measured from the head to the point (30mm screw shown).



inch

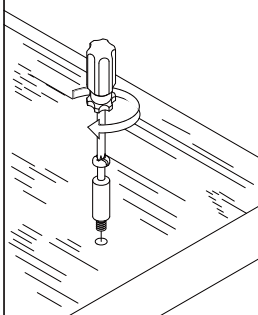
Using Camlocks

Step 1

Connect the male camlock as directed in the assembly instructions using a screwdriver.

1

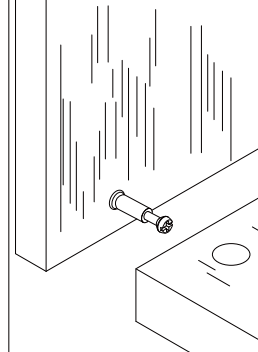
DO NOT OVER TIGHTEN.



Step 2

Push the male camlock into the entry hole.

2

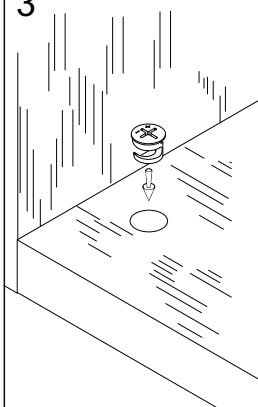


Step 3

Insert the female camlock as shown in the instructions.

Note: ensure that the arrow on the top of the camlock points towards the entry hole for the male camlock.

3



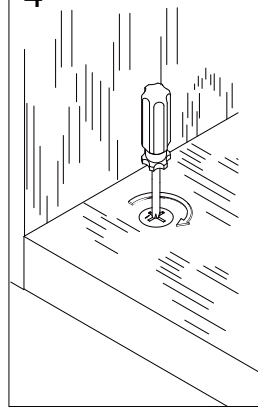
Step 4

Turn the female camlock clockwise with a screwdriver.

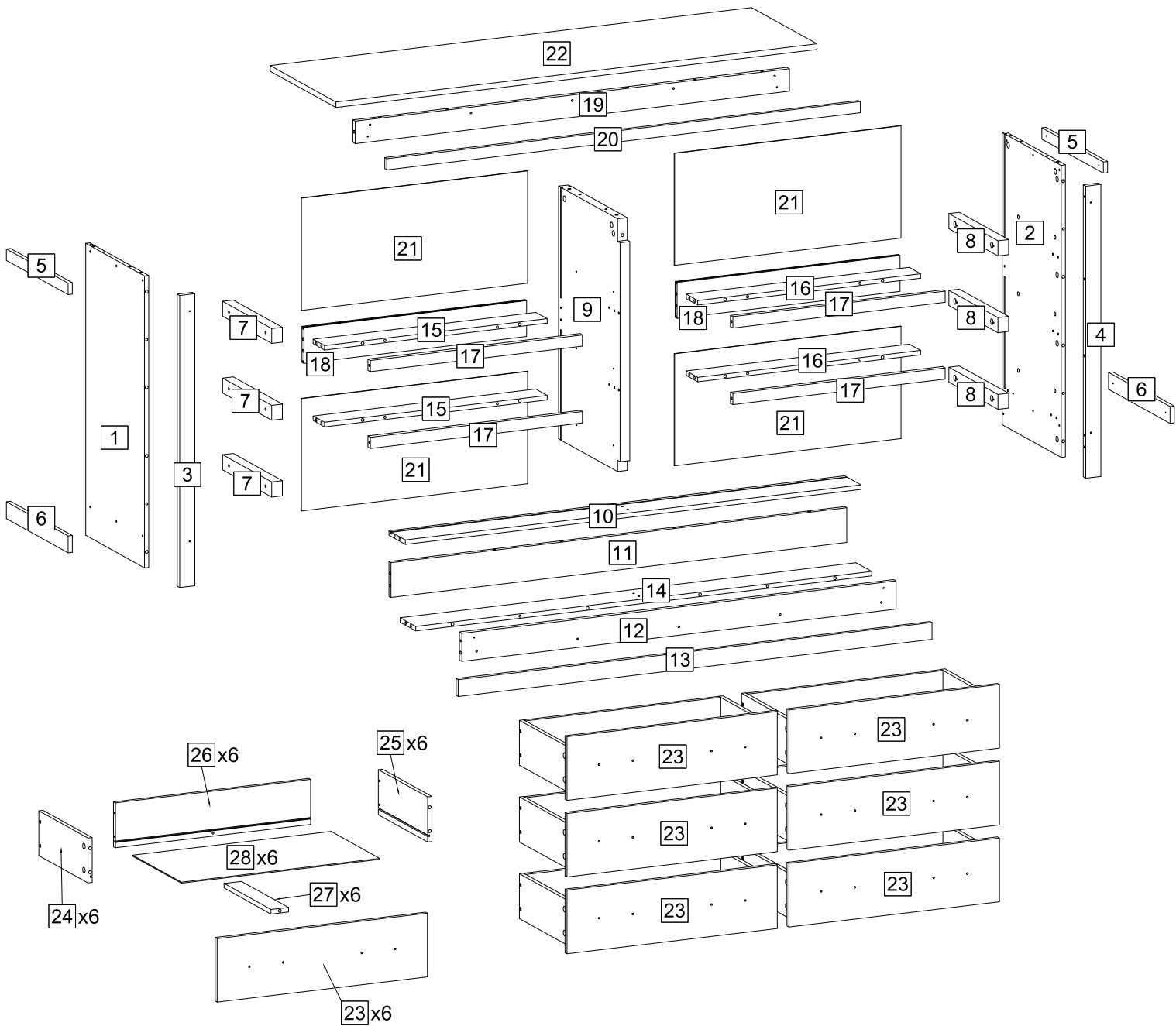
You should feel a click when the camlock is locked in place.

The joint is now secure.

4



Assembly Instructions



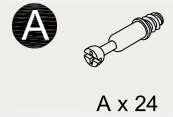
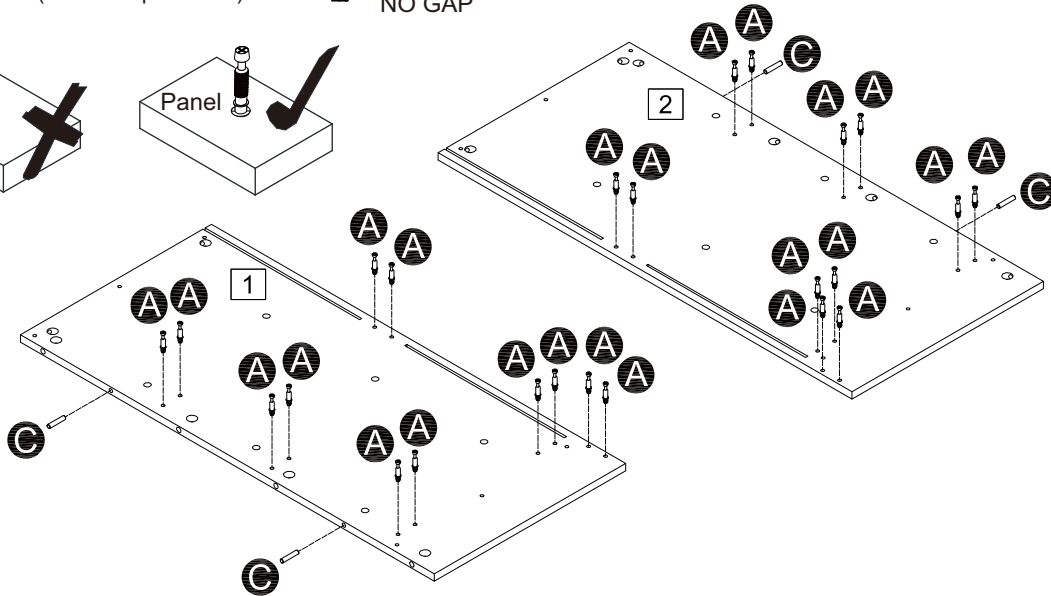
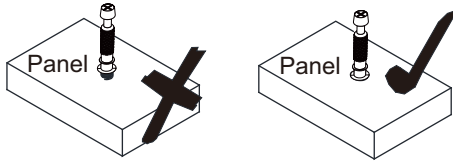
Assembly Instructions

Step 1

Attach the Male Camlock (A) to Panels (1) and (2)
Insert the Dowel (C) into Panels (1) and (2).

CAM-LOCK

Tighten until shoulder is flush with panel. Do not overtighten or undertighten (see example below)

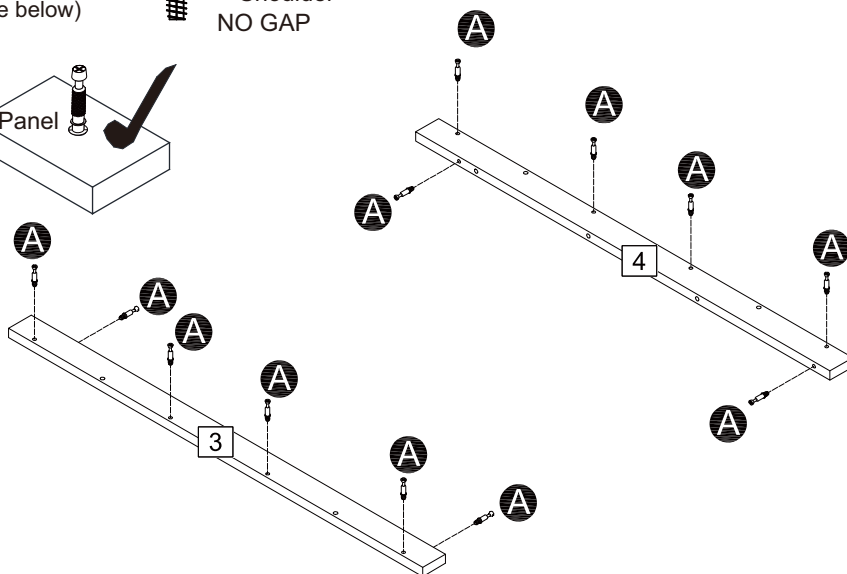
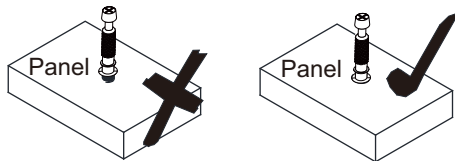


Step 2

Attach the Male Camlock (A) to Panels (3) and (4)

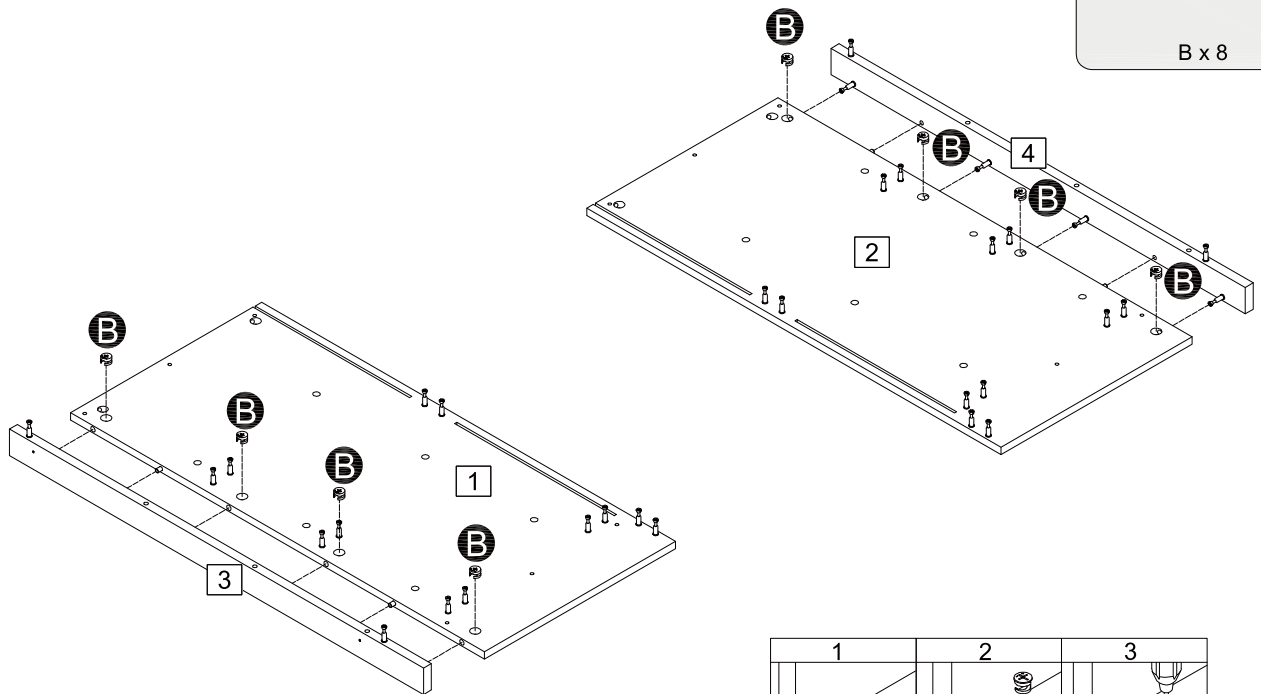
CAM-LOCK

Tighten until shoulder is flush with panel. Do not overtighten or undertighten (see example below)



Assembly Instructions

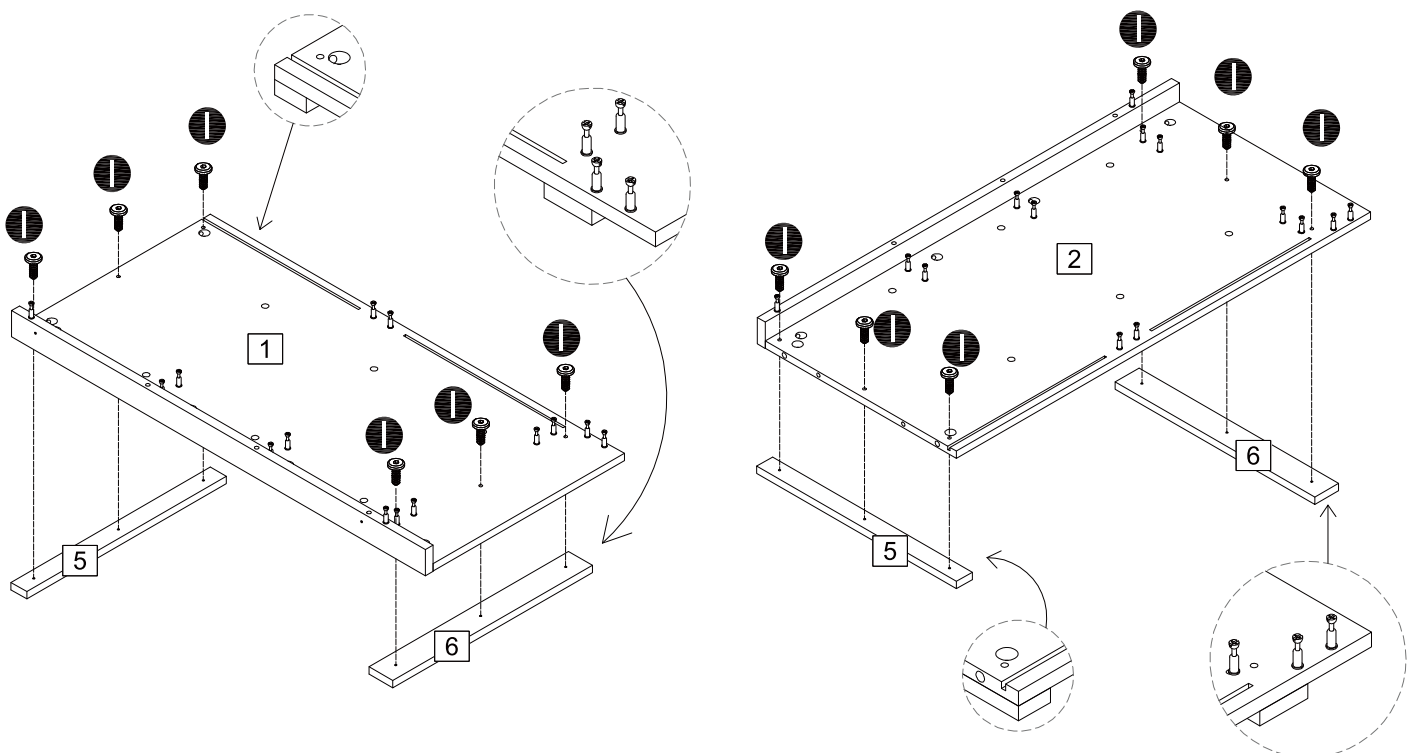
Step 3



Connect Panel (3) to Panel (1), then insert and lock the Female Camlock (B).
Connect Panel (4) to Panel (2), then insert and lock the Female Camlock (B).

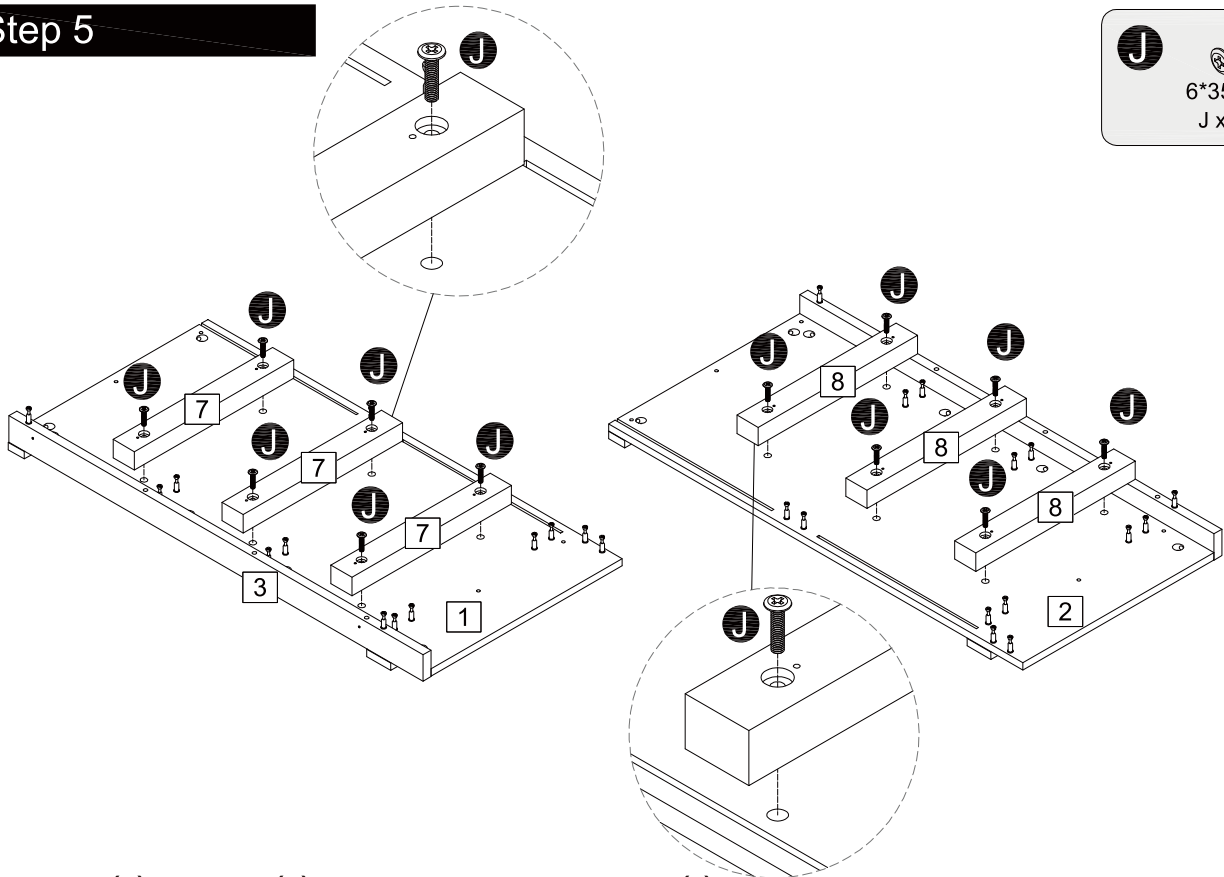
Step 4

Connect Panels (5) and (6) to Panel (1), and secure them using Screw (I).
Connect Panels (5) and (6) to Panel (2), and secure them using Screw (I).



Assembly Instructions

Step 5



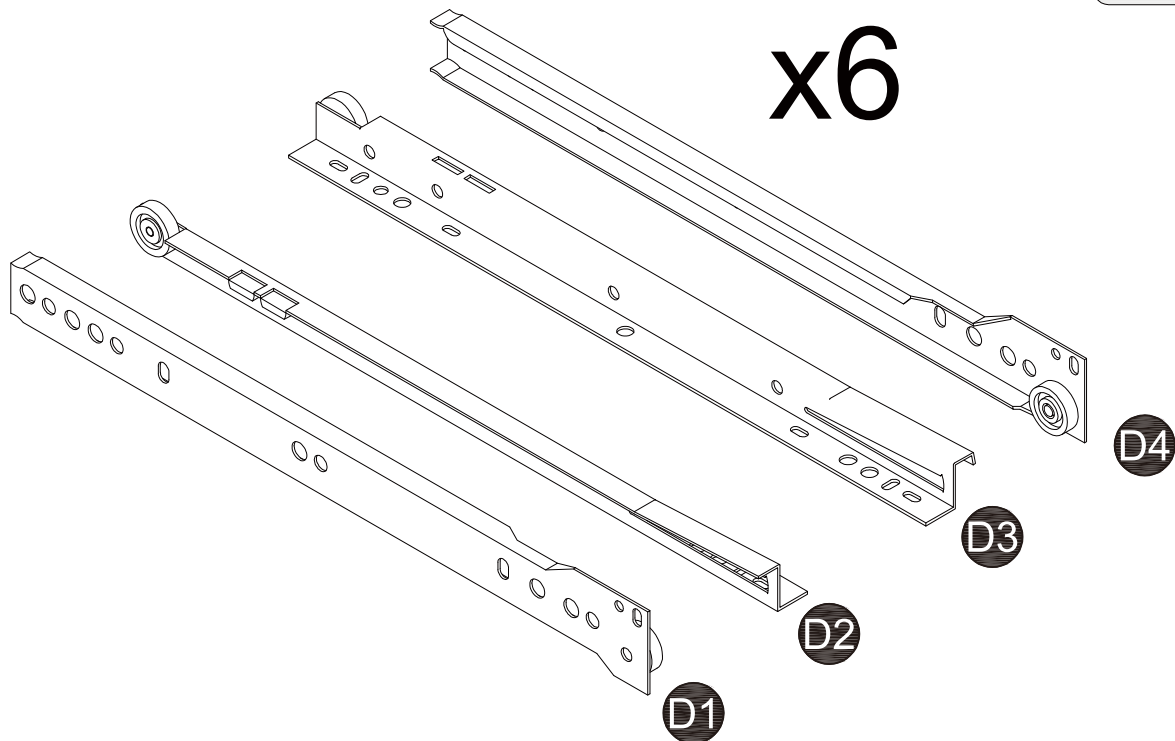
J
6*35mm
J x 12

Connect Panel (7) to Panel (1), and secure it using Screw (J).
Connect Panel (8) to Panel (1), and secure it using Screw (J).

Step 6

Drawer Slides (D)*6 — separate into (D1), (D2), (D3), and (D4).

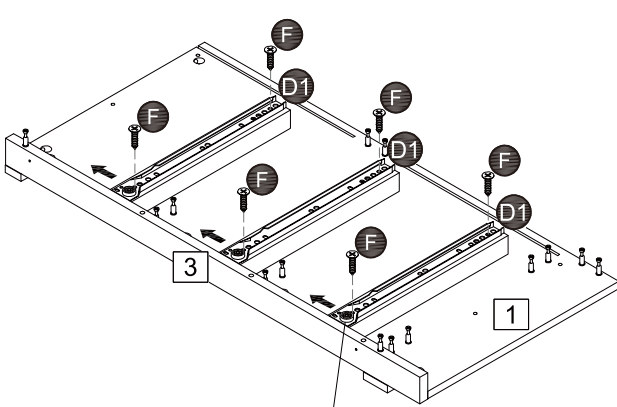
D
D x 6



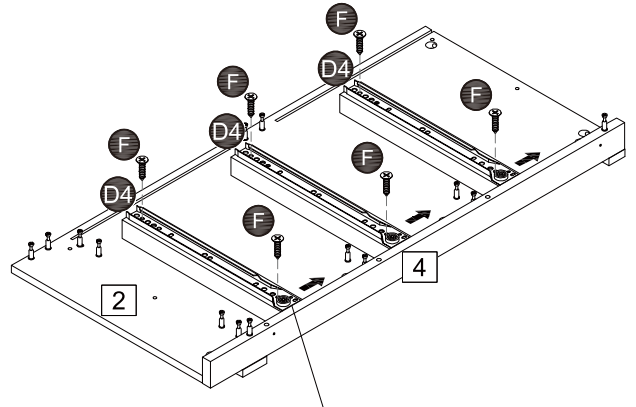
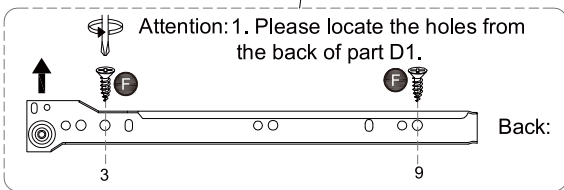
Assembly Instructions

Step 7

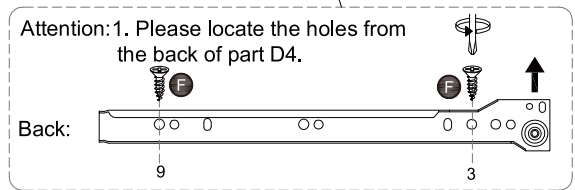
Asegure la Guía del Cajón (D1) al Panel (1) utilizando el Tornillo (F).
 Asegure la Guía del Cajón (D4) al Panel (2) utilizando el Tornillo (F).



FRONT



FRONT

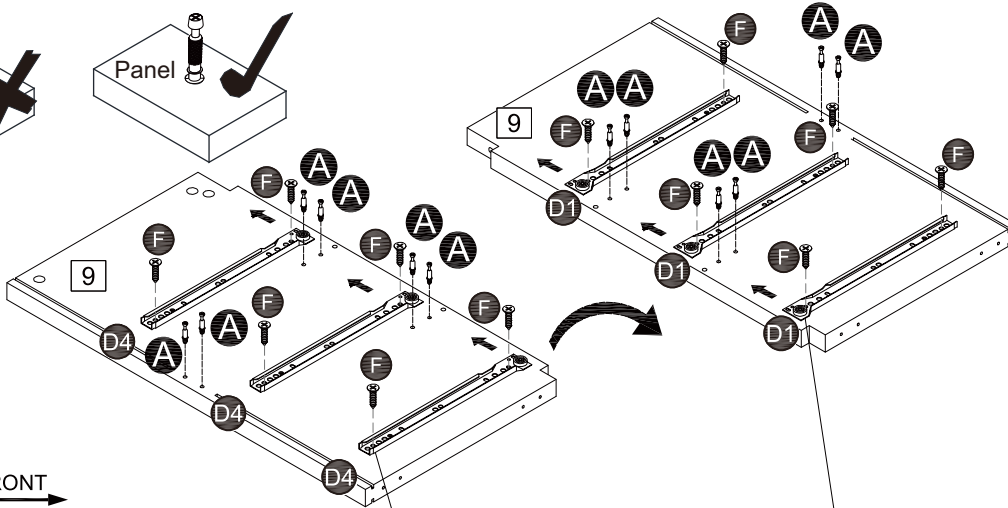
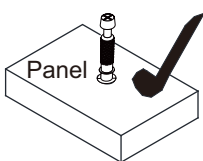
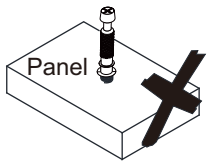


Step 8

Secure Drawer Slides (D1) and (D4) to Panel (9) using Screws (F).

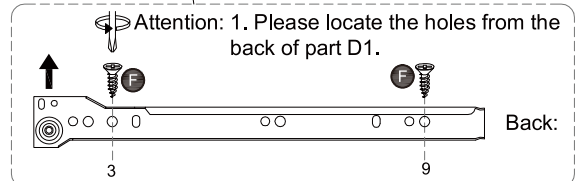
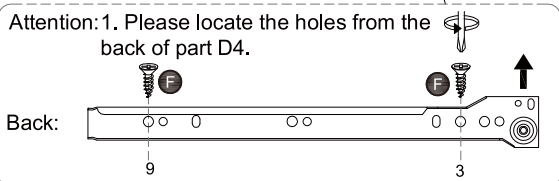
CAM-LOCK

Tighten until shoulder is flush with panel. Do not overtighten or undertighten (see example below)



FRONT

FRONT



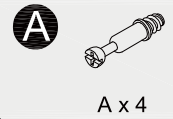
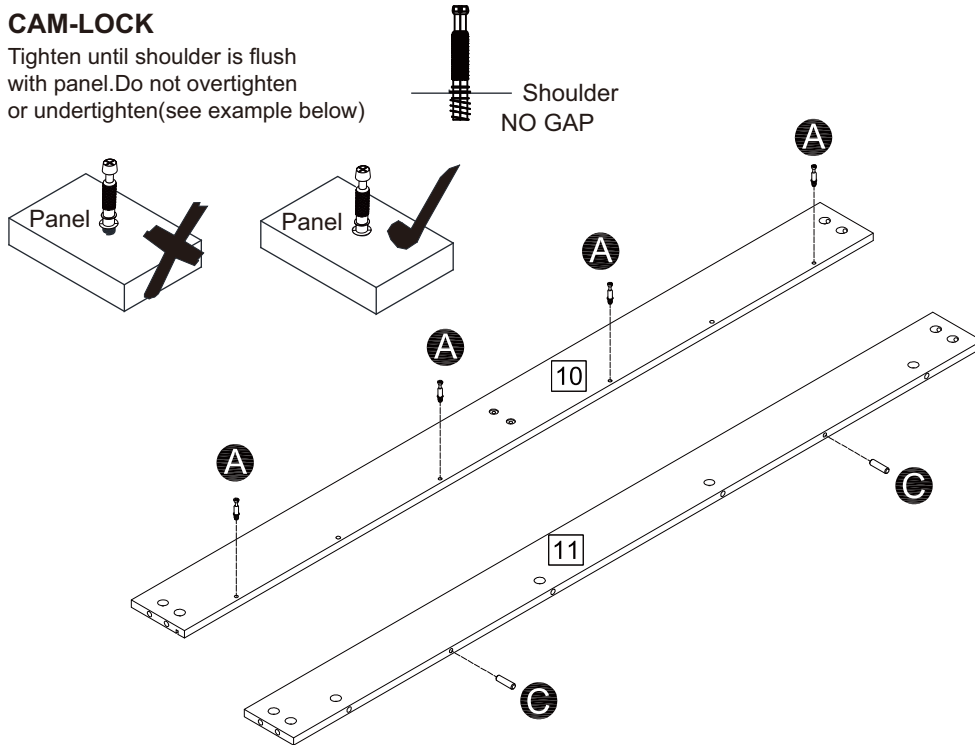
Assembly Instructions

Step 9

Attach the Male Camlock (A) to Panel (10).
Insert the Dowel (C) into Panel (11).

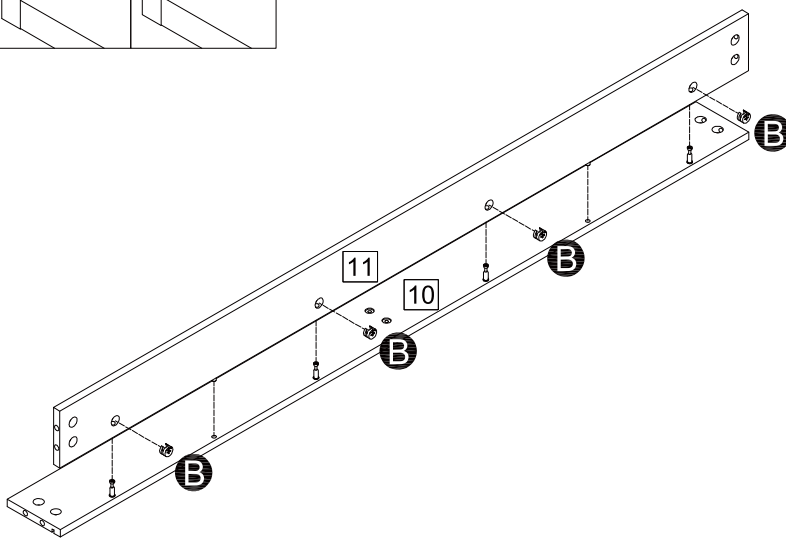
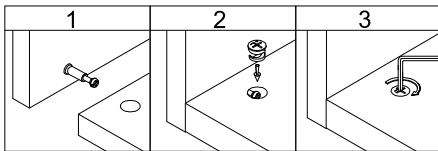
CAM-LOCK

Tighten until shoulder is flush with panel. Do not overtighten or undertighten (see example below)



Step 10

Connect Panel (11) to Panel (10), then insert and lock the Female Camlock (B).



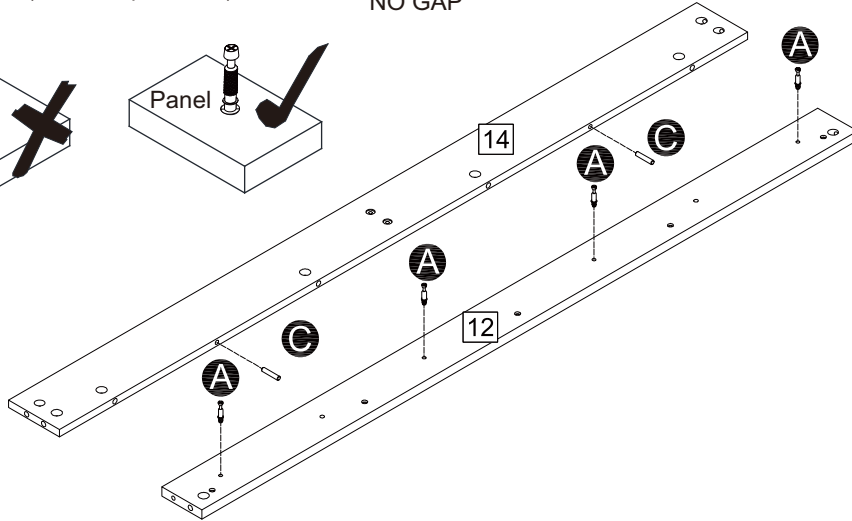
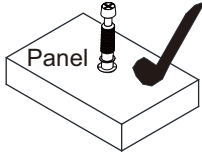
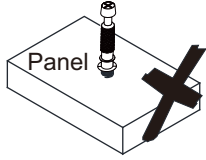
Assembly Instructions

Step 11

Attach the Male Camlock (A) to Panel (12).
Insert the Dowel (C) into Panel (14).

CAM-LOCK

Tighten until shoulder is flush with panel. Do not overtighten or undertighten (see example below)



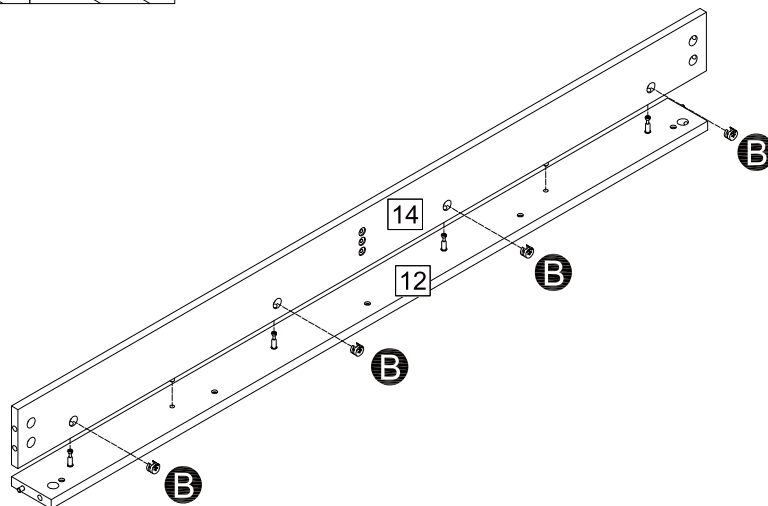
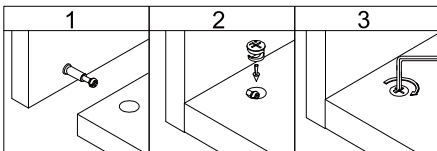
A x 4



C x 2

Step 12

Connect Panel (14) to Panel (12), then insert and lock the Female Camlock (B).

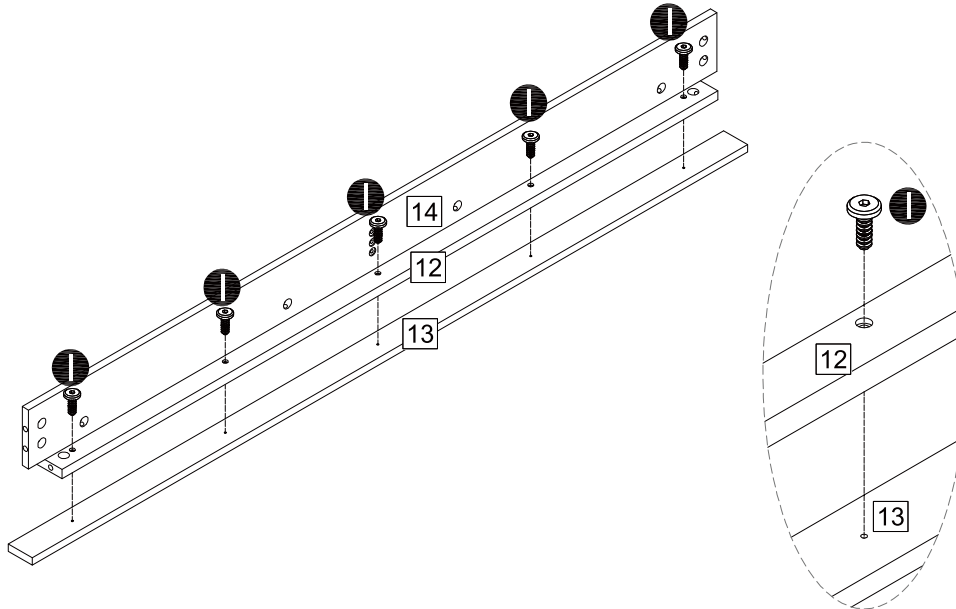
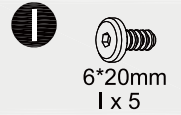


B x 4

Assembly Instructions

Step 13

Connect Panel (13) to Panel (12), and secure it using Screw (I).

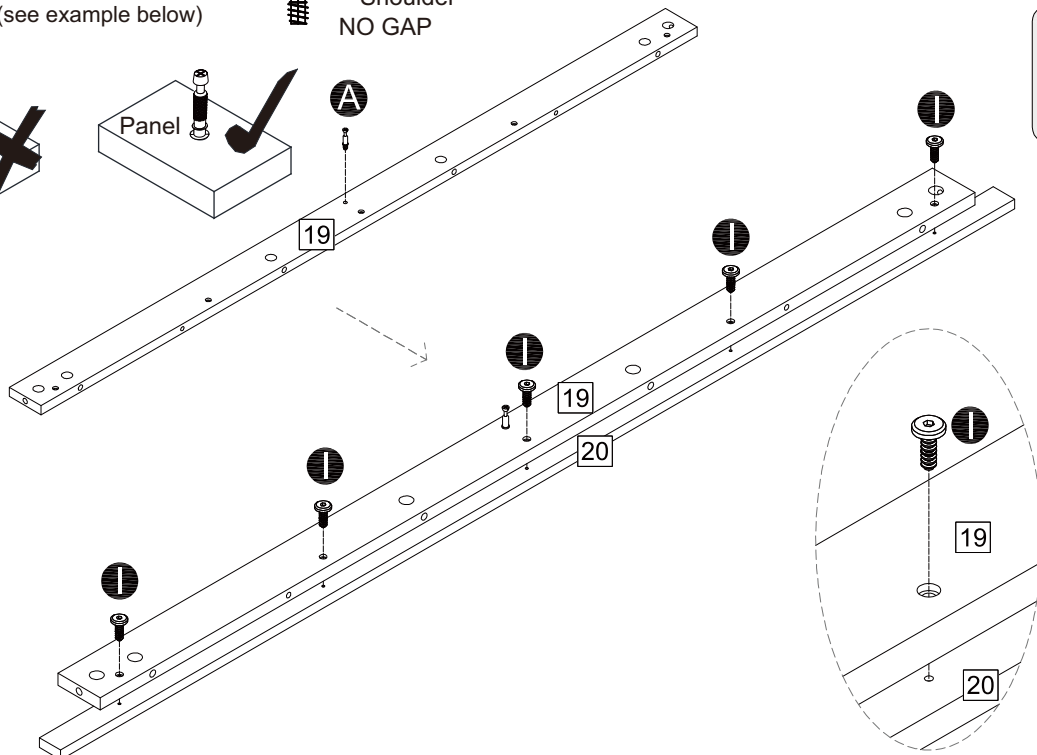
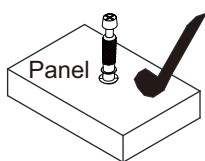
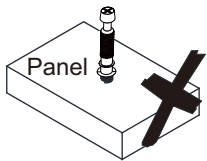


Step 14

Attach the Male Camlock (A) to Panel (19). Connect Panel (20) to Panel (19) and secure with Screw (I).

CAM-LOCK

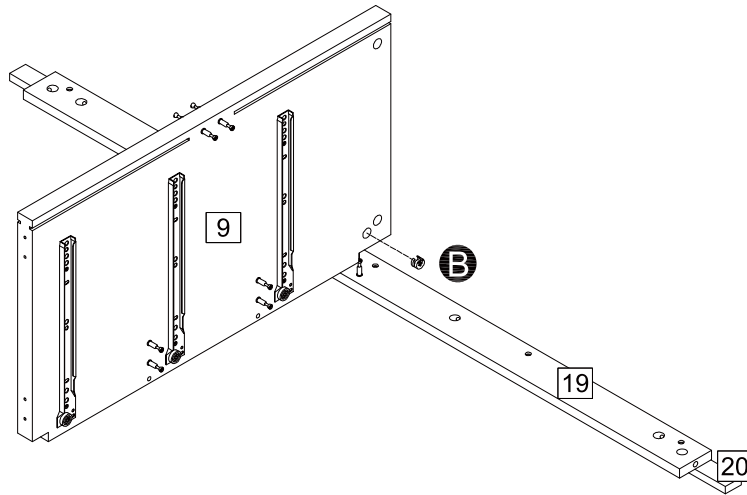
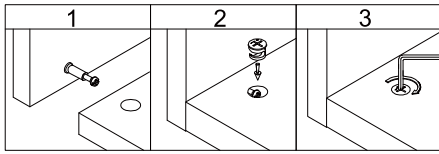
Tighten until shoulder is flush with panel. Do not overtighten or undertighten (see example below)



Assembly Instructions

Step 15

Connect Panel (9) to the Panel (19), then insert and lock the Female Camlock (B).

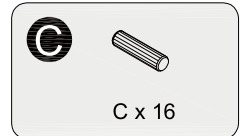
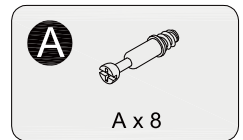
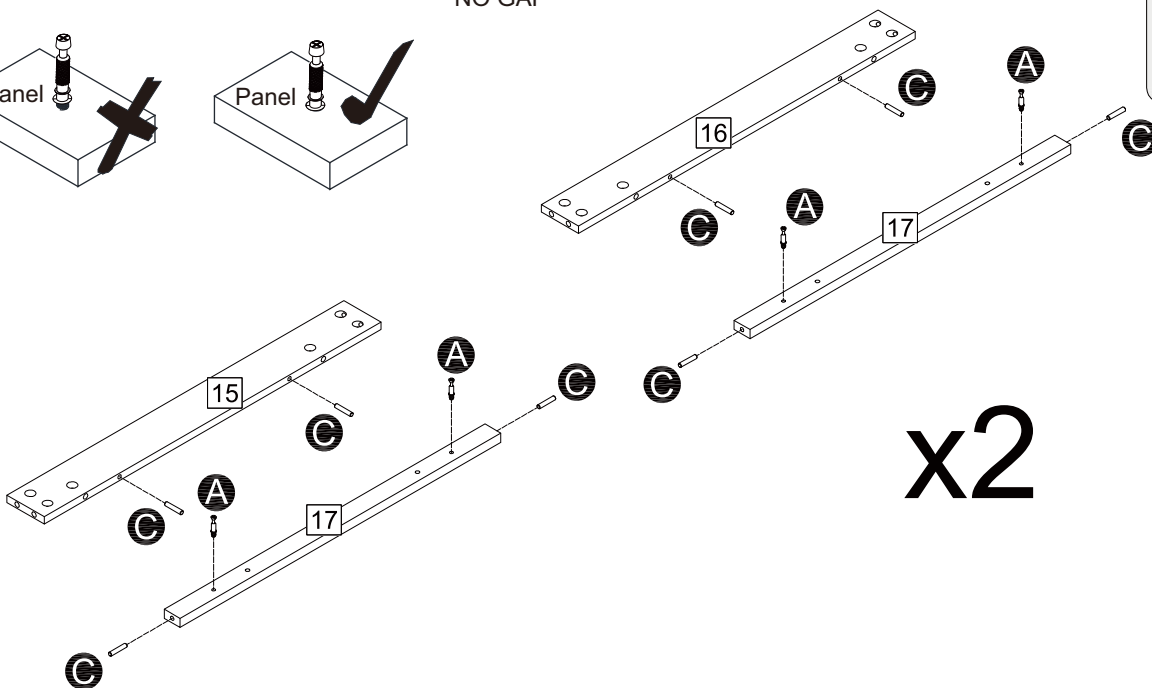
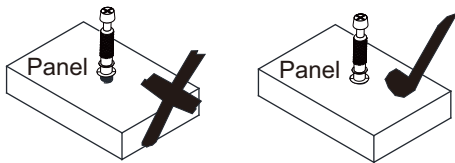


Step 16

Attach the Male Camlock (A) to Panel (17). Insert the Dowel (C) into Panels (15) and (16).

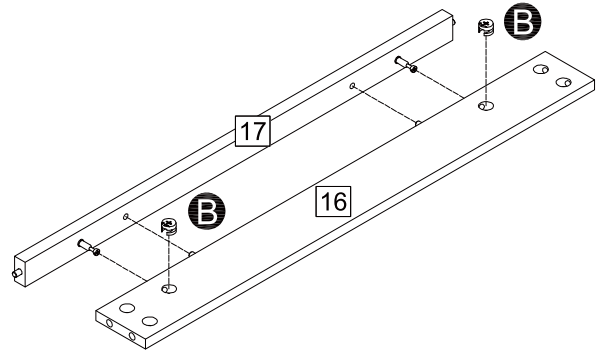
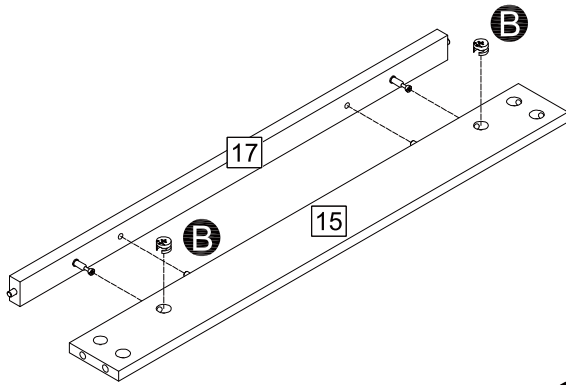
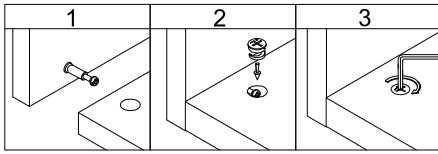
CAM-LOCK

Tighten until shoulder is flush with panel. Do not overtighten or undertighten (see example below)



Assembly Instructions

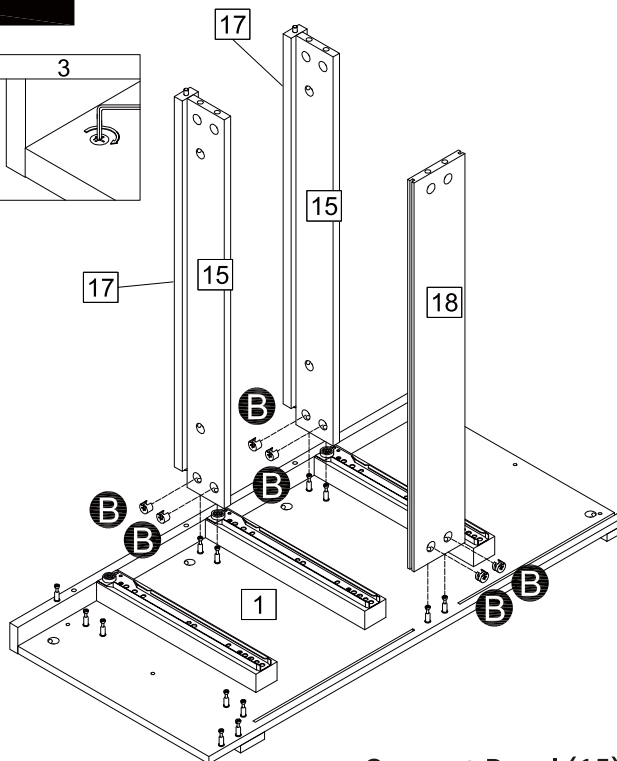
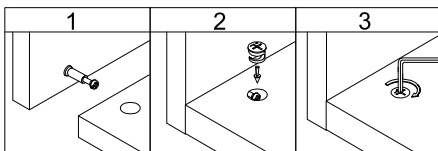
Step 17



x2

Connect Panel (17) to Panel (15), then insert and lock the Female Camlock (B).
Connect Panel (17) to Panel (16), then insert and lock the Female Camlock (B).

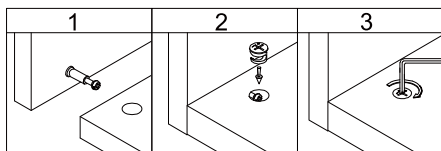
Step 18



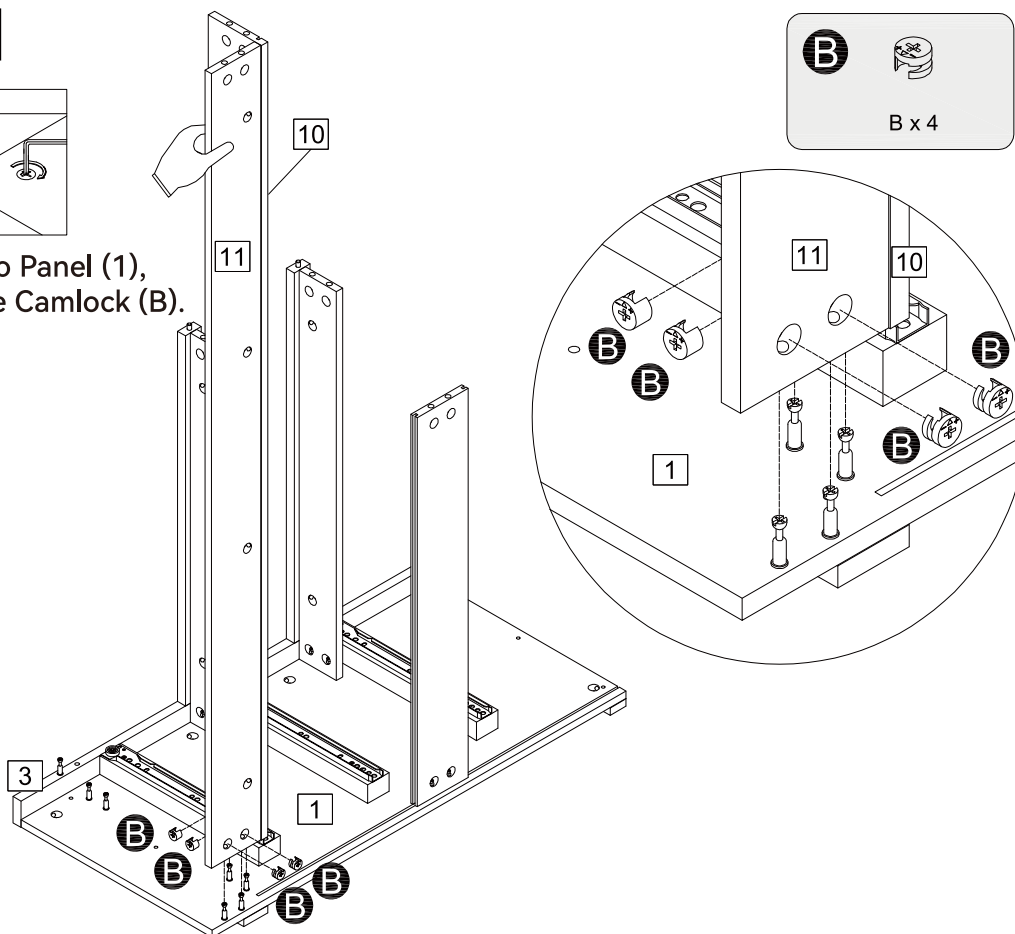
Connect Panel (15) to Panel (1), then insert and lock the Female Camlock (B).
Connect Panel (18) to Panel (1), then insert and lock the Female Camlock (B).

Assembly Instructions

Step 19

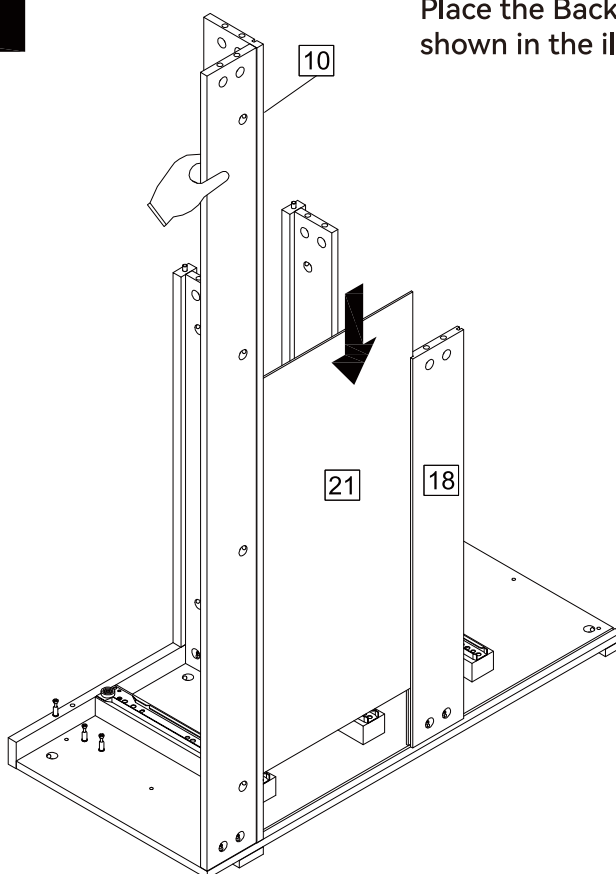


Connect Panels (10) and (11) to Panel (1), then insert and lock the Female Camlock (B).



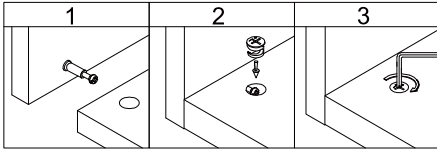
Step 20

Place the Back Panel (21) into the grooves as shown in the illustration.

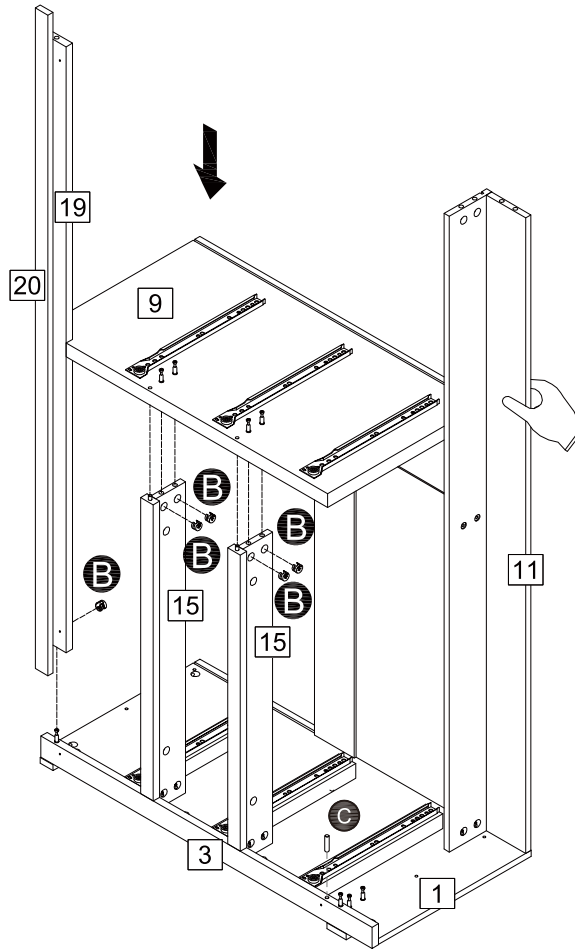


Assembly Instructions

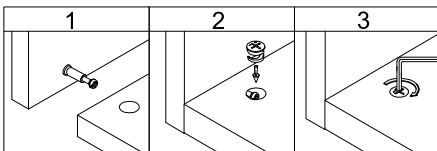
Step 21



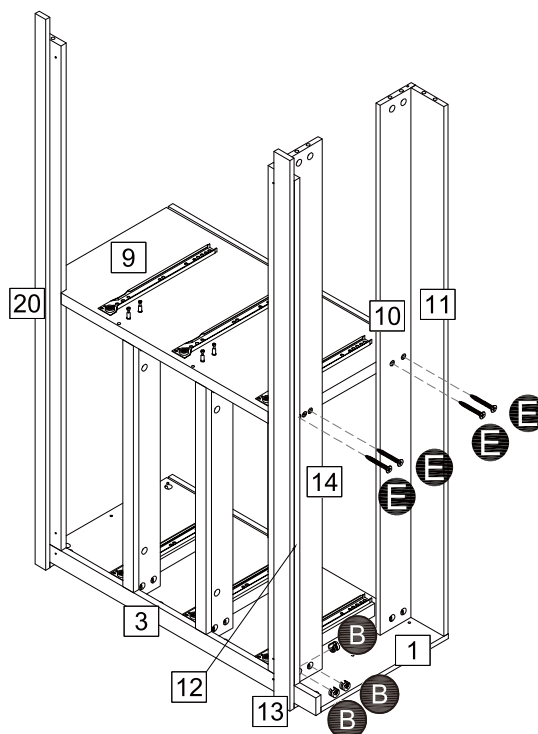
Connect Panels (9) and (19) to Panels (15), (3), and (1), then insert and lock the Female Camlock (B).
Insert the Dowel (C) into Panel (3).



Step 22

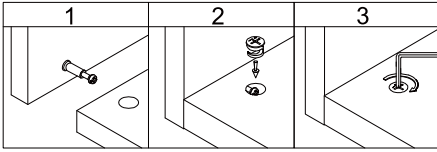


Connect Panels (12) and (14) to Panels (1) and (3), then insert and lock the Female Camlock (B).
Connect Panels (10) and (14) to Panel (9), then secure with Screw (E).

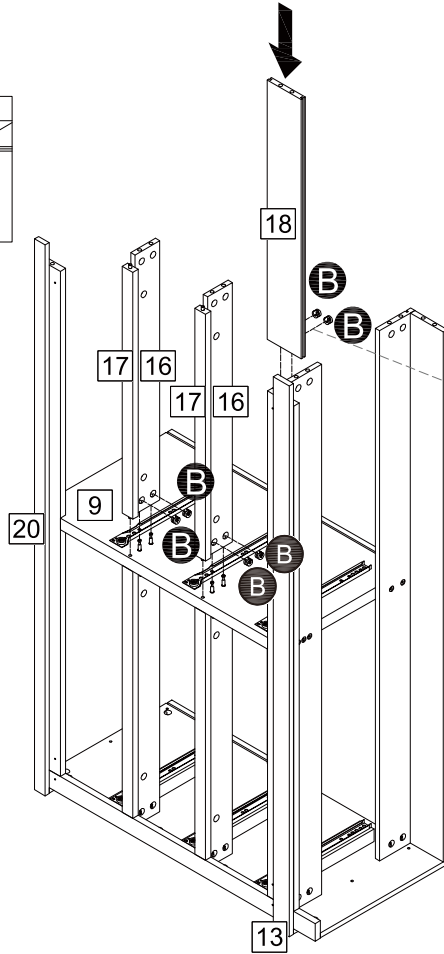


Assembly Instructions

Step 23



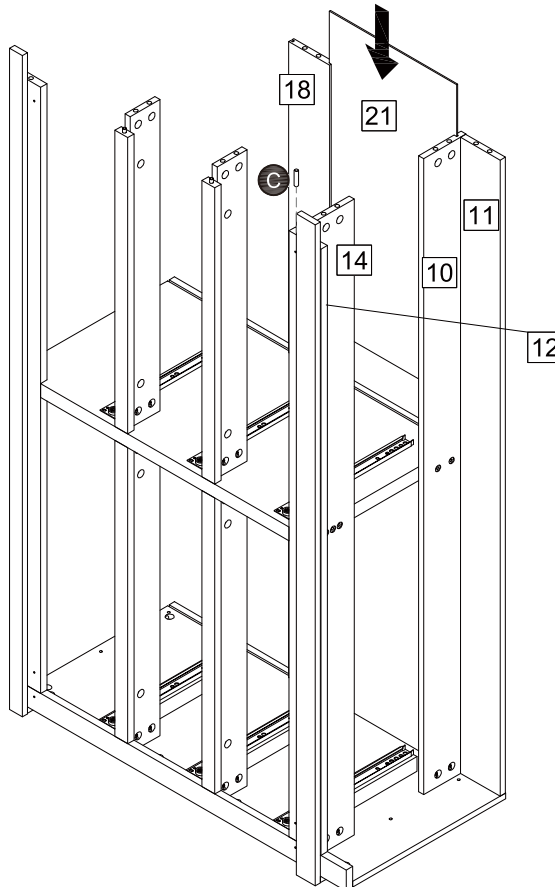
Connect Panel (16) to Panel (9), then insert and lock the Female Camlock (B).
Connect Panel (18) to Panel (9), then insert and lock the Female Camlock (B).



B 
B x 6

Step 24

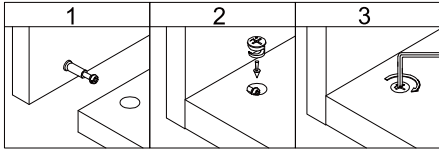
Place the Back Panel (21) into the grooves as shown in the illustration.
Insert the Dowel (C) into Panel (12).



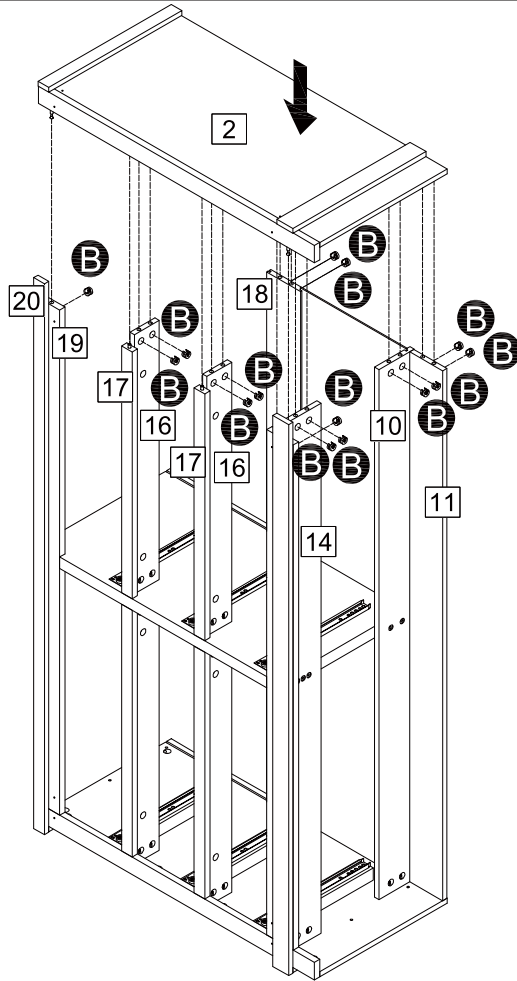
C 
C x 1

Assembly Instructions

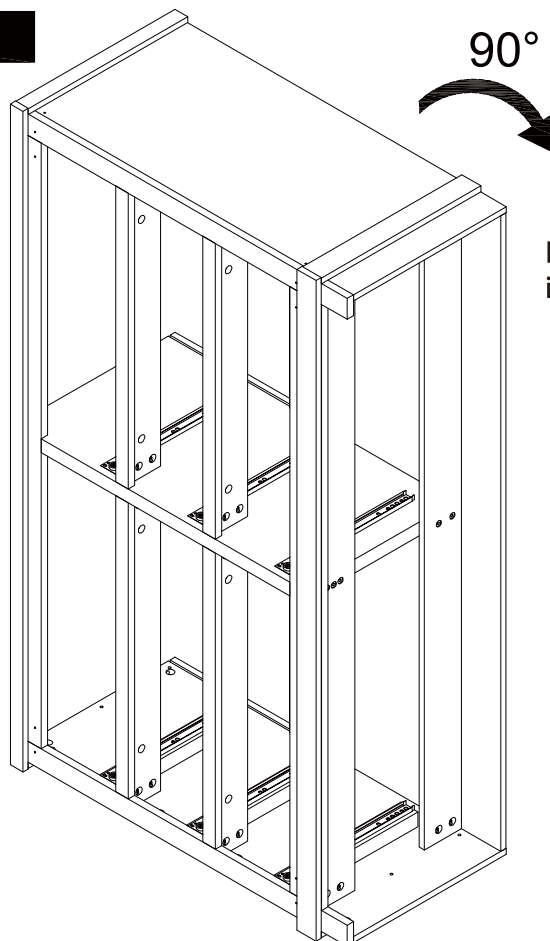
Step 25



Connect Panel (2) to Panels (10), (11), (12), (14), (16), (18), and (19), then insert and lock the Female Camlock (B).



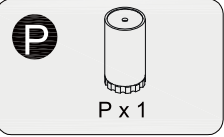
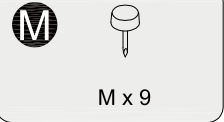
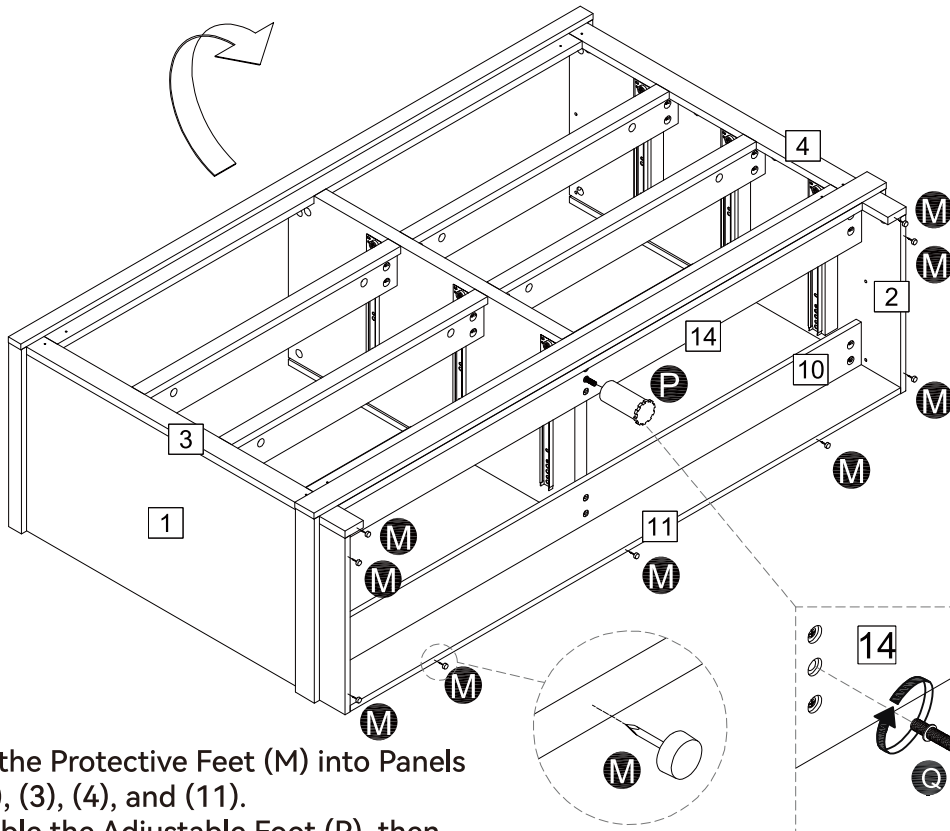
Step 26



Lay the cabinet flat as shown in the illustration.

Assembly Instructions

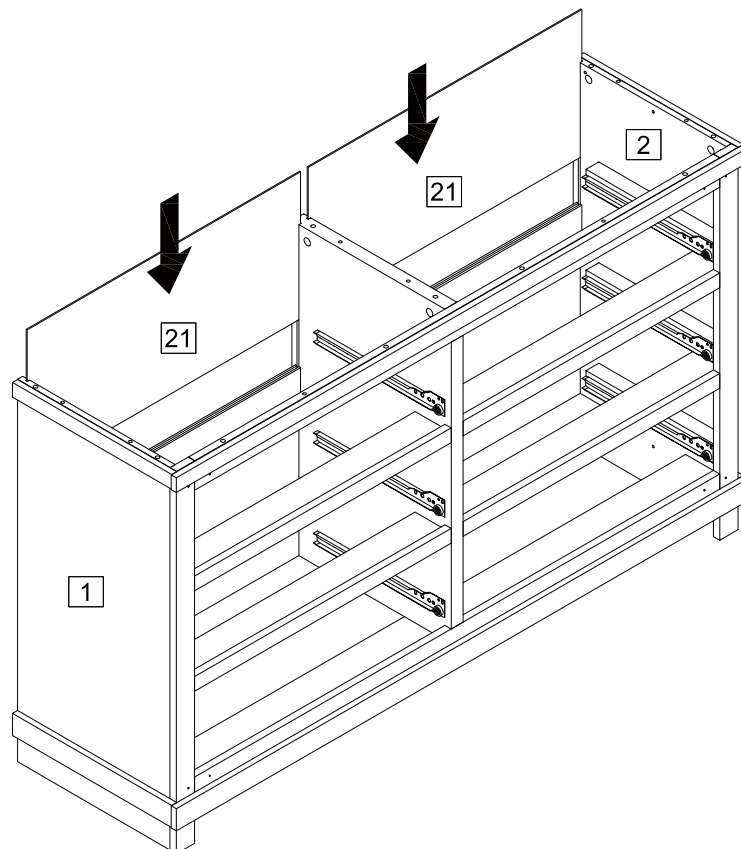
Step 27



Insert the Protective Feet (M) into Panels (1), (2), (3), (4), and (11).
Assemble the Adjustable Foot (P), then secure it to Panel (14) using Bolt (Q).

Step 28

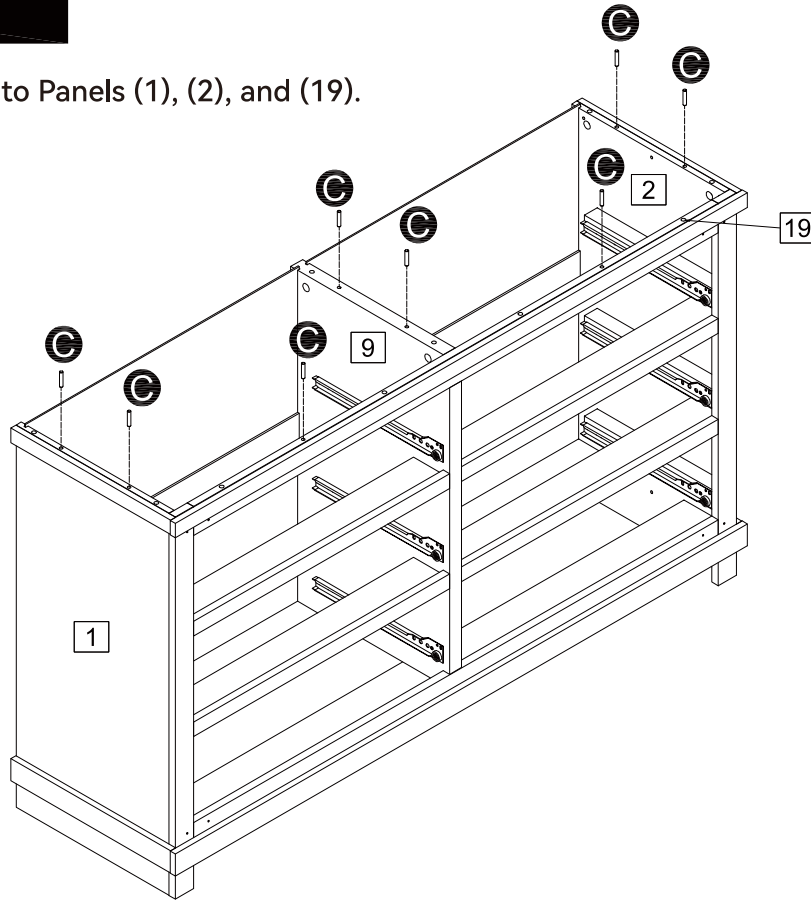
Place the Back Panel (21) into the grooves as shown in the illustration.



Assembly Instructions

Step 29

Insert the Dowel (C) into Panels (1), (2), and (19).

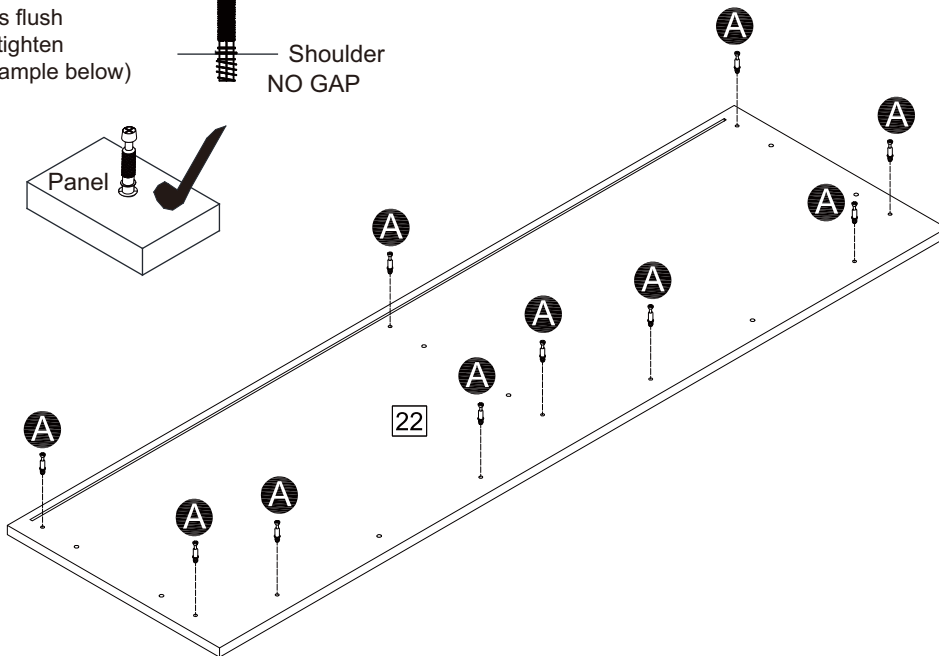
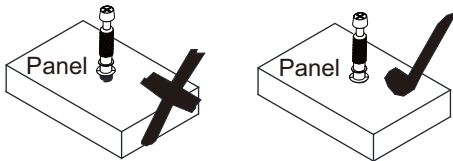


Step 30

Attach the Male Camlock (A) to Panel (22).

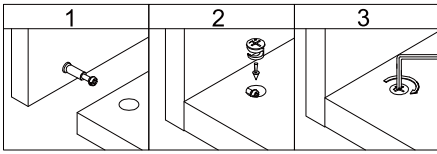
CAM-LOCK

Tighten until shoulder is flush with panel. Do not overtighten or undertighten (see example below)

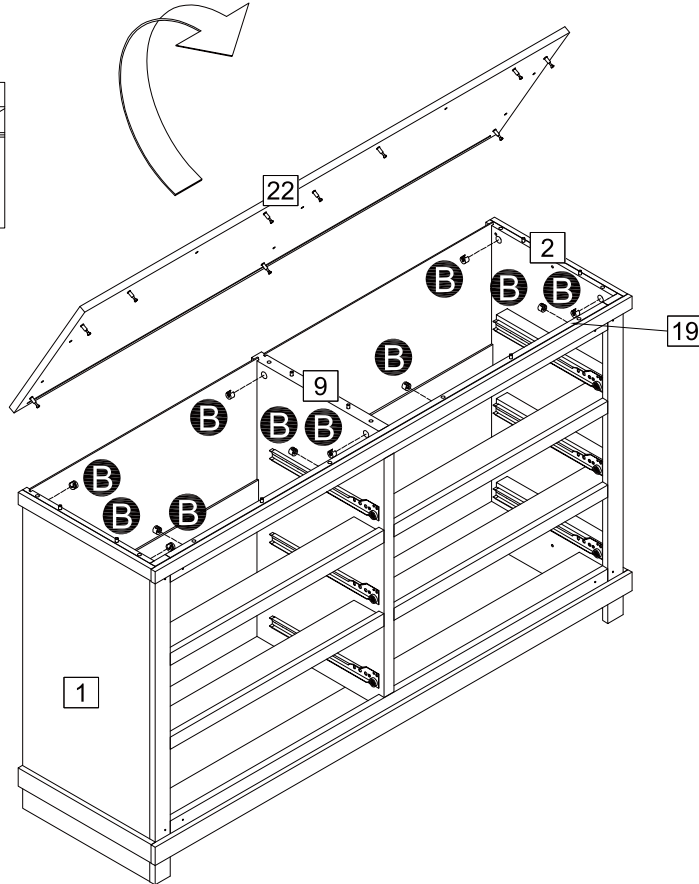


Assembly Instructions

Step 31

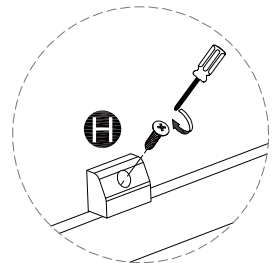
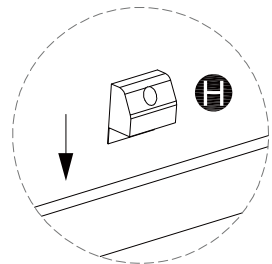
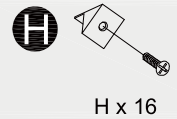
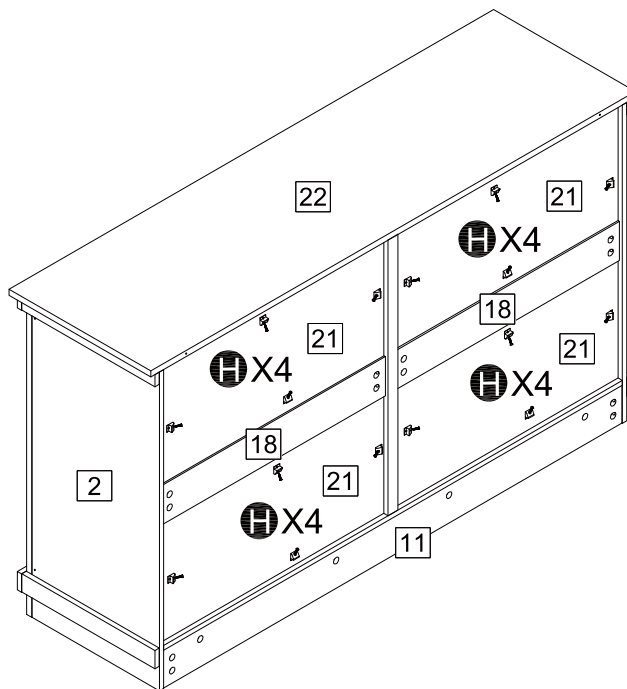


Connect Panel (22) to Panels (1), (2), (9), and (19), then insert and lock the Female Camlock (B).



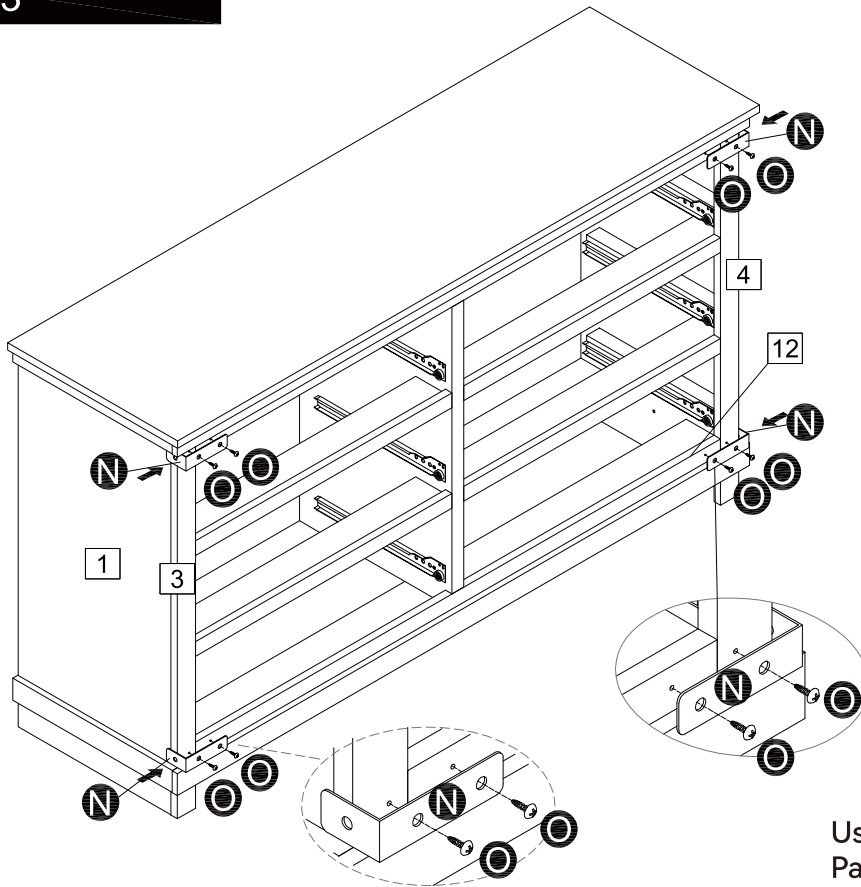
Step 32

Use a screwdriver to secure the Back Panel Stiffener (H) to the Back Panel.



Assembly Instructions

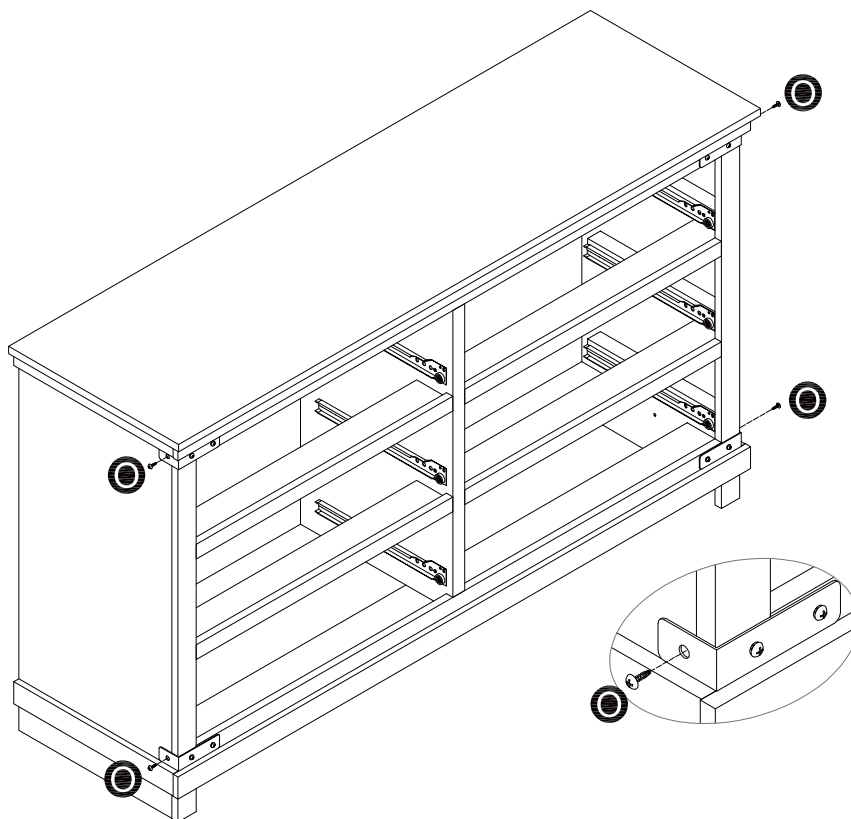
Step 33



Use Screw (O) to secure (N) to Panels (3), (4), and (12).

Step 34

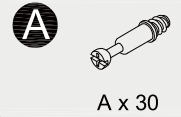
Use Screw (O) to secure (N) to Panels (1) and (2).



Assembly Instructions

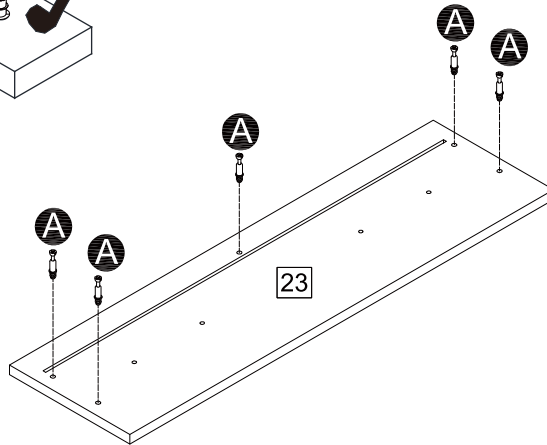
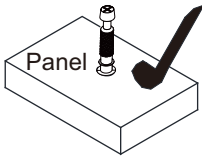
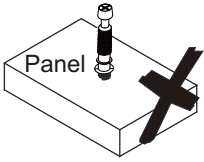
Step 35

Attach the Male Camlock (A) to Panel (23).



CAM-LOCK

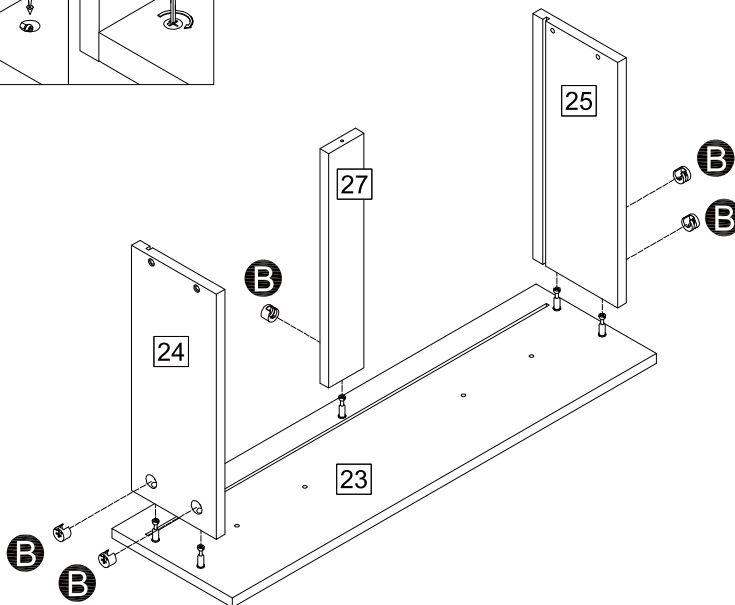
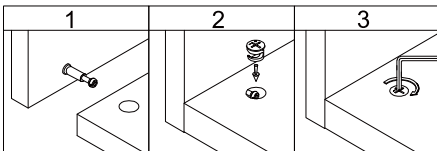
Tighten until shoulder is flush with panel. Do not overtighten or undertighten (see example below)



x6

Step 36

Connect Panels (24), (25), and (27) to Panel (23), then insert and lock the Female Camlock (B).

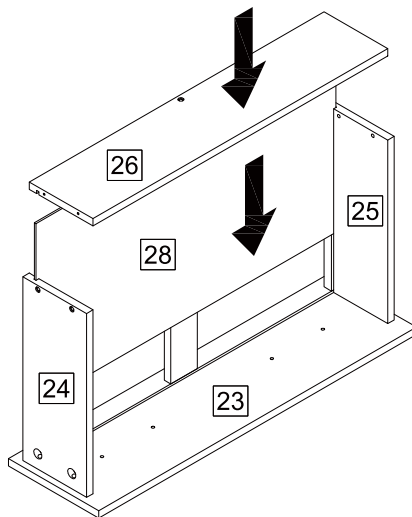


x6

Assembly Instructions

Step 37

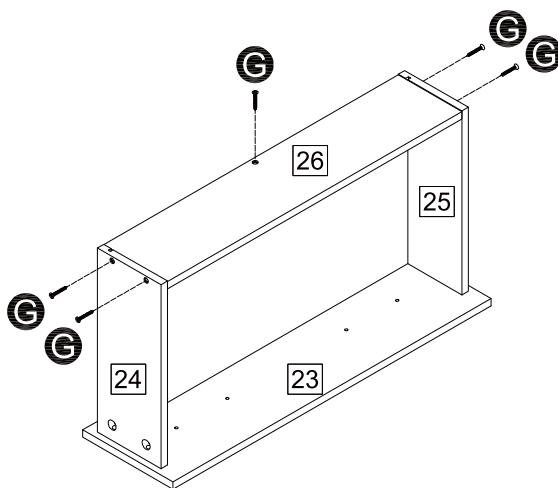
Place the Back Panel (28) into the grooves as shown in the illustration.



x6

Step 38

Connect Panel (26) to Panels (24) and (25), then secure with Screw (G).

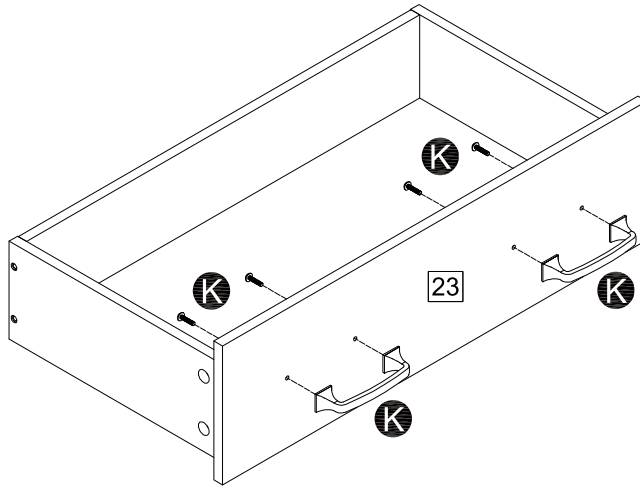


x6

Assembly Instructions

Step 39

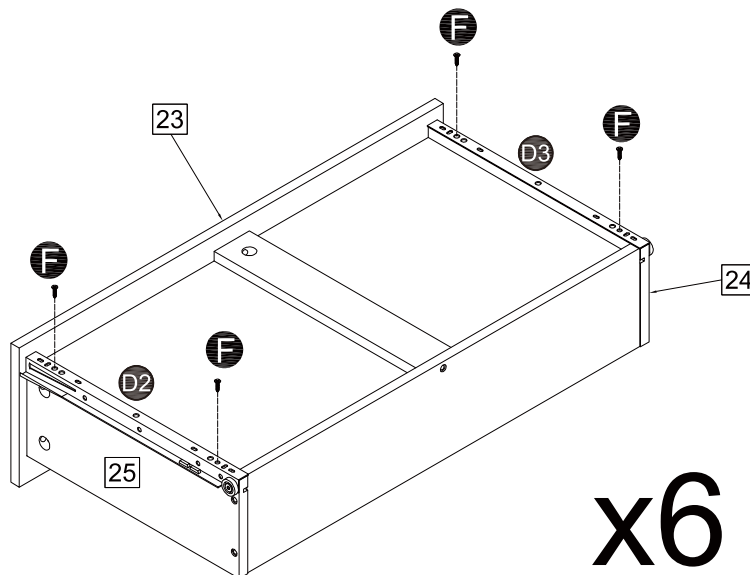
Attach the Handle (K) to Panel (23).



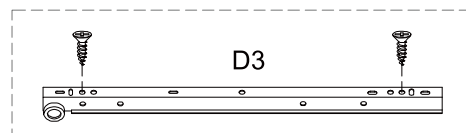
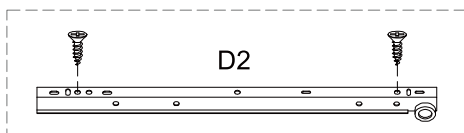
x6

Step 40

Use Screw (F) to secure the drawer slides (D2) and (D3) as shown in the illustration.



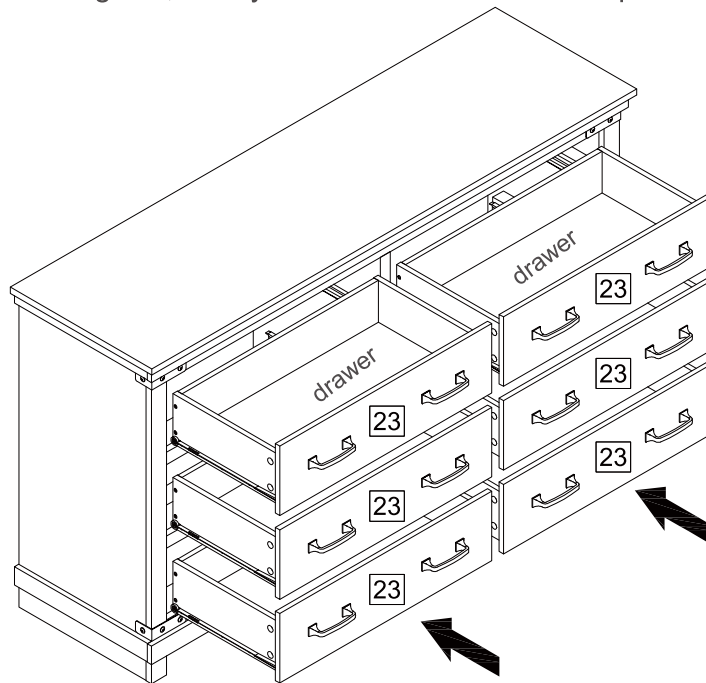
x6



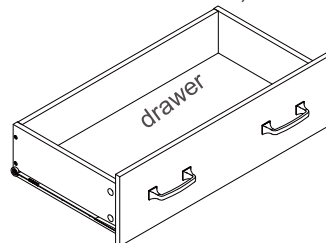
Assembly Instructions

Step 41

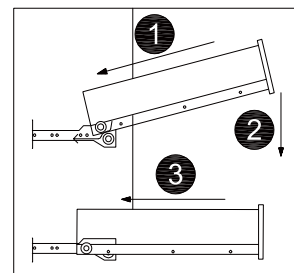
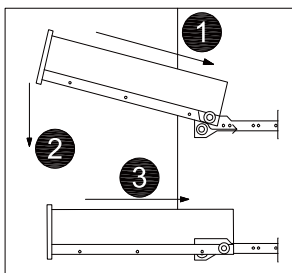
Congratulation! You've made to the last step! But don't be too thrilled yet, put on the drawer can be frustrating if you do it wrong. So, take your time and follow the steps below.



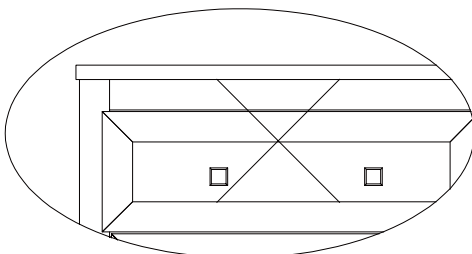
1. Make sure that you have right and left drawers sorted out first, because the drawer panel may cover the side if the right drawer is on the left side, vice versa.



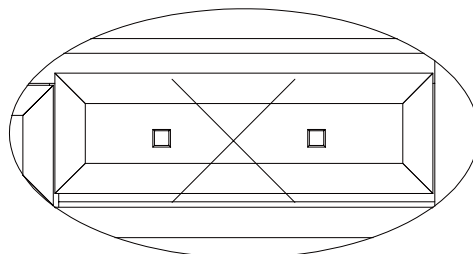
2. Please ensure that you have matched the wheels on BOTH sides of the drawer with the wheels on rails installed BEFORE push in the drawer.



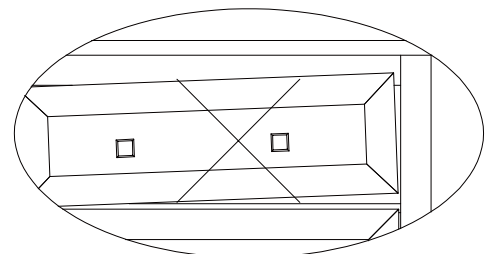
3. If the following occurs, redo the first two steps.



(drawer is on the wrong side)



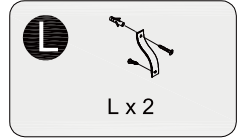
(both wheels are off the rails)



(one wheel is off the rail)

Assembly Instructions

Step 42



The unit is floor standing, but it is recommended that the unit is secured to the wall.

1. Move the unit into desired position.
2. Mark the wall with a suitable scribe the position of the fixing holes.

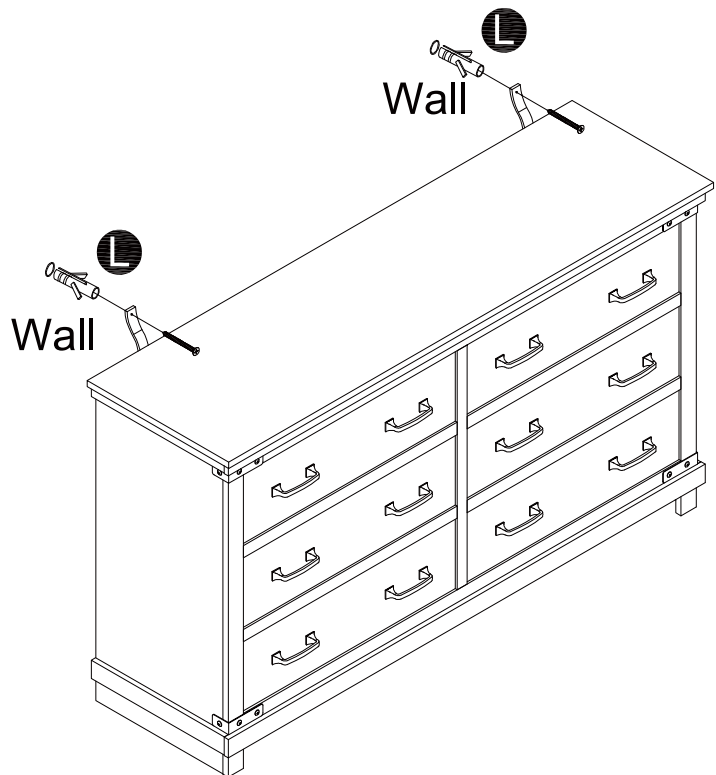
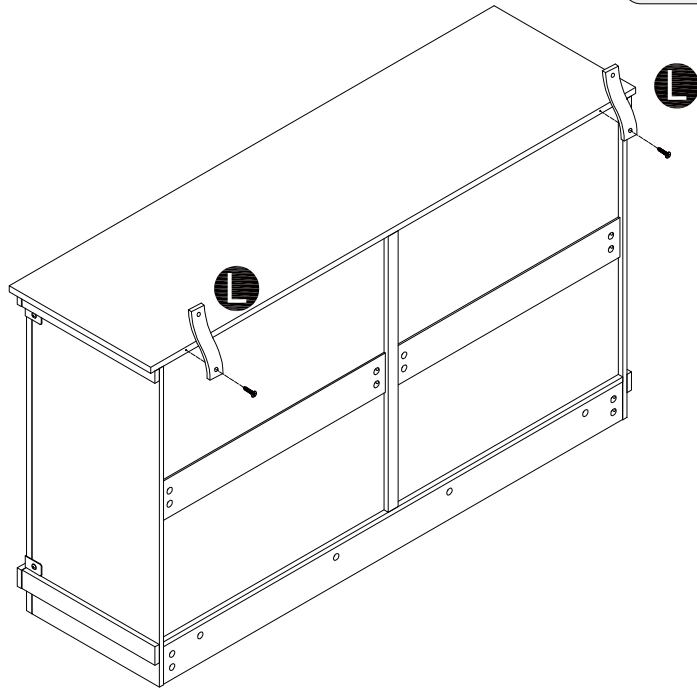
Warning:



Before drilling, check wall for hidden pipes and cables.

3. Drill holes and insert 2x wall plug
4. Attach 2 x Wall Straps to the top of the unit using 2 x Washers and 2 x Screws
5. Secure the straps to the wall using 2 x Washers and 2 x Screws

Note: To hide the straps behind the unit, drill the holes lower than the top of the unit



Assembly is complete

A Guide to Wall Mounting & Fixings

Important note:

If plastic wall plugs (rawl plugs) are supplied with your product, e.g.:



- these are only suitable for use in masonry walls.

If you are in any doubt about the correct wall plugs for your wall, seek professional advice.


Failure of the product due to using the incorrect fixings is the responsibility of the installer.



Important: when drilling into walls always check that there are no hidden wires or pipes etc.

Make sure that the screws and wall plugs being used are suitable for **supporting your unit**. **Consult a qualified tradesperson if you are unsure.**

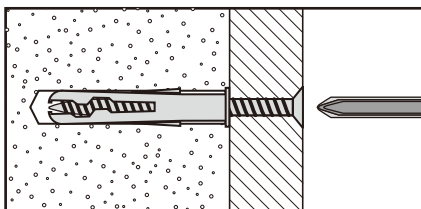
Hints:

- 1: General rule:  always use a larger screw and wall plug if you are not sure.
- 2: Ensure you use the recommended drill bit to match the wall plug and hole size.
- 3: Ensure you drill the hole horizontally; do not force the drill or enlarge the hole.
- 4: Take extra care when drilling high walls, ceilings and ceramic tiles. Ensure wall plugs are inserted beyond the thickness of the ceramic tiles to avoid the tiles splitting or cracking.
- 5: Ensure wall plugs are well fitted and are a tight fit in the drilled hole.

Types of walls

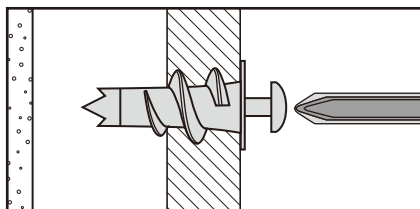
You can use one of the following types of wall plug if your walls are made of brick, breeze block, concrete, stone or wood.

No.1 "General Purpose" wall plug



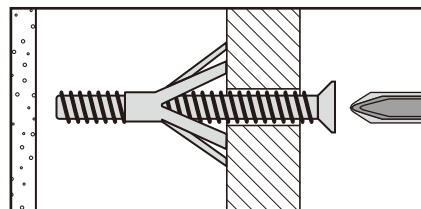
Generally aerated blocks should not be used to support heavy loads, use a specialist fitting in this case. For light loads, general purpose wall plugs can be used.

No.2 "Plasterboard" wall plug



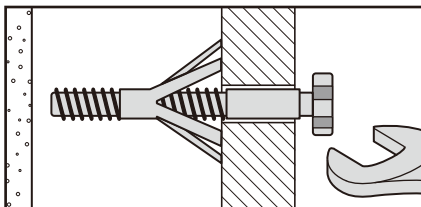
For use when attaching light loads onto plasterboard partitions.

No.3 "Cavity Fixing" wall plug



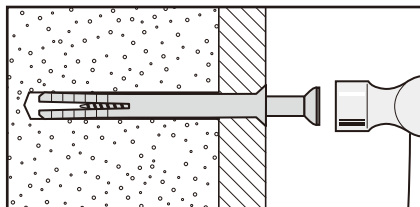
For use with plasterboard partitions or hollow wooden doors.

No.4 "Cavity Fixing – Heavy Duty" wall plug



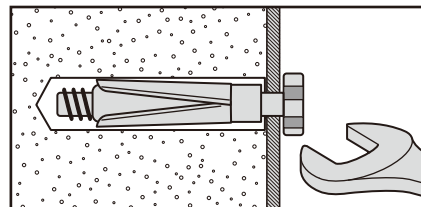
For use when fitting or supporting heavy loads such as shelving, wall cabinets and coat racks.

No.5 "Hammer Fixing" wall plug



For use with walls stuck with plasterboard. The hammer fixing allows it to be fixed to the wall rather than the plasterboard. Always check the fixing is secure to the retaining wall.

No.6 "Shield Anchor" wall plug – heavy loads



For use with heavier loads such as TV and HiFi speakers and satellite dishes etc.



Care & Maintenance

Safety: always check the fitting and location to ensure your safety in and around the home.

Fitting: from time to time check the fitting to ensure the wall plugs or screws do not become loose.