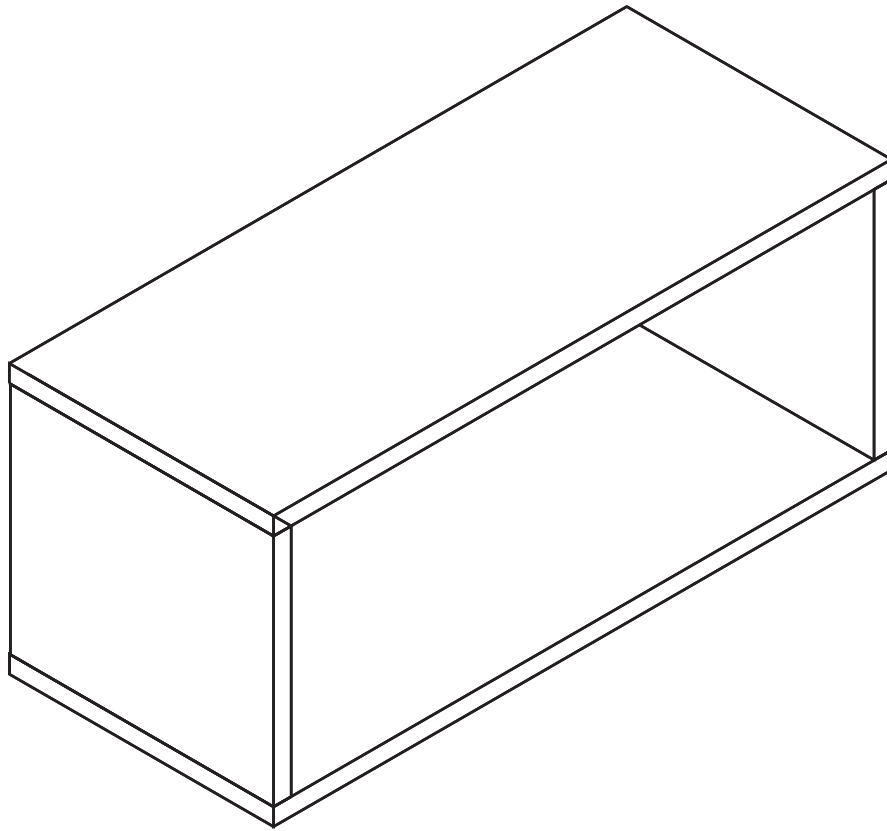


# COFFEE TABLE



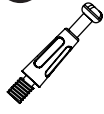

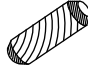

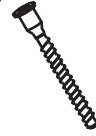


## **ASSEMBLY INSTRUCTIONS**

---

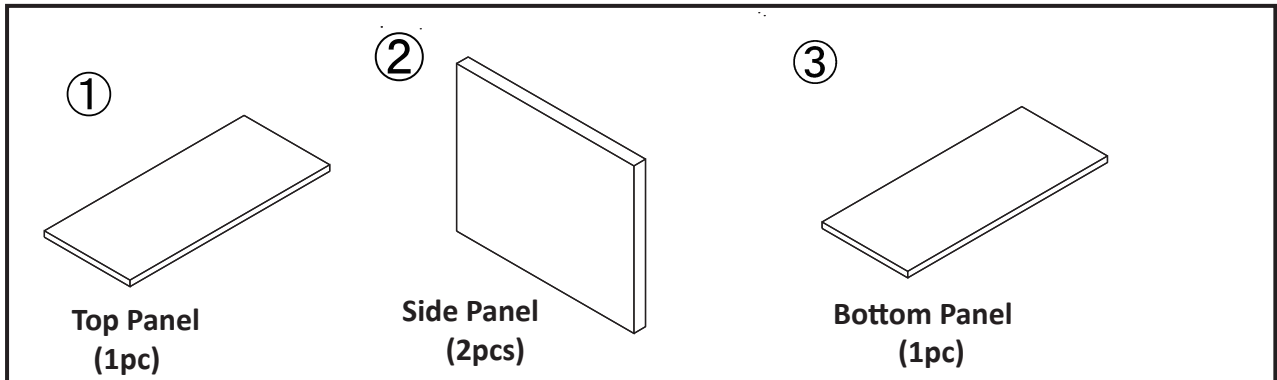
We have designed our furniture with you , the customer in mind . Our clear , easy to follow , step by step instructions will guide you through the project from start to finish .  
Feel confident that this will be a fun and rewarding project . The final product will be a quality piece of furniture that will go together smoothly and give years of enjoyment .

---

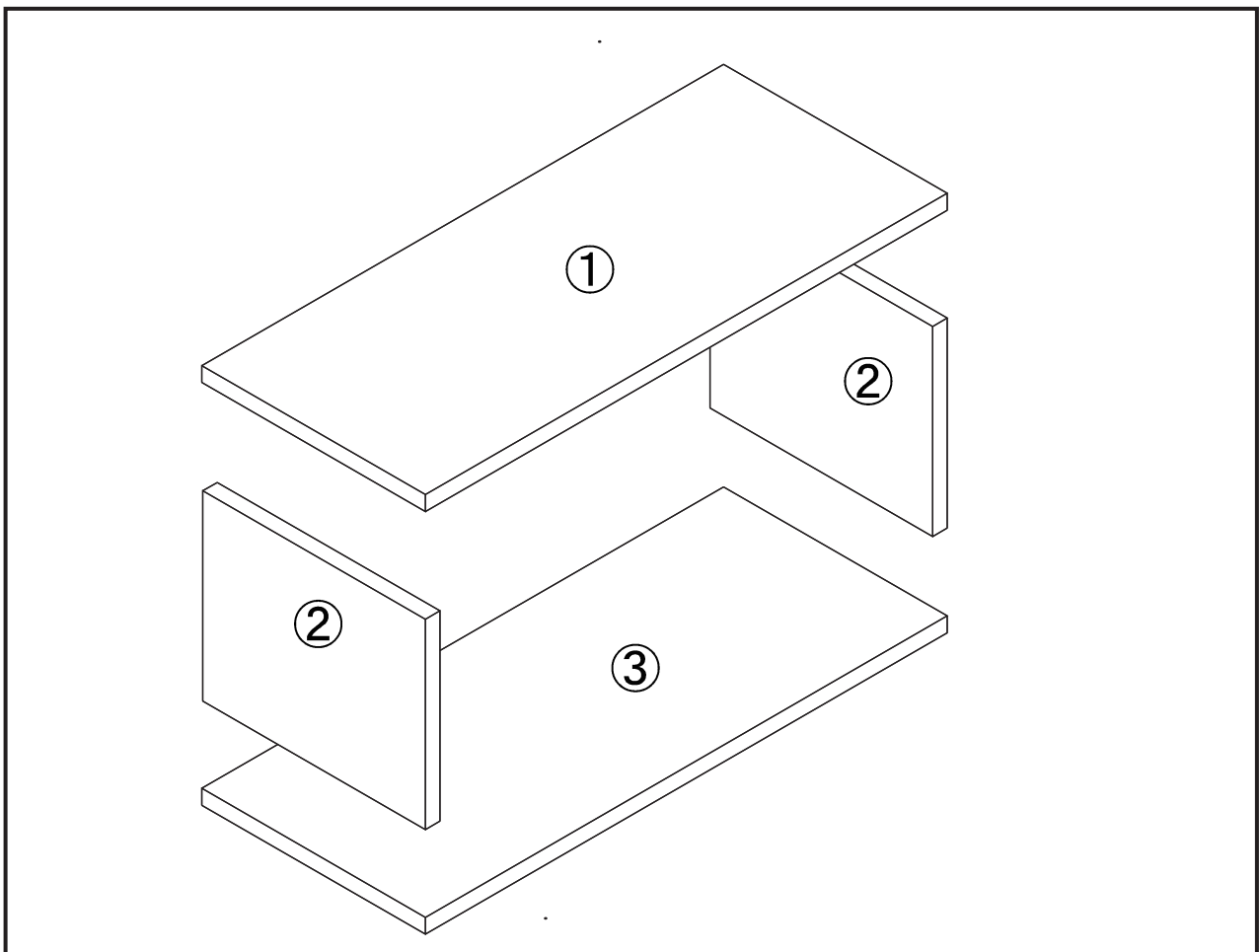
## Hardware List

<b>A</b> 	<b>B</b> 	<b>C</b> 	<b>D</b> 	<b>E</b> 	<b>F</b> 	<b>G</b> 
<b>Cambolt (4pcs)</b>	<b>Camlock (4pcs)</b>	<b>Wood dowel (8pcs)</b>	<b>Sticker (8pcs)</b>	<b>Large Screw (4pcs)</b>	<b>Allen Wrench (1pc)</b>	<b>Glue (1pc)</b>

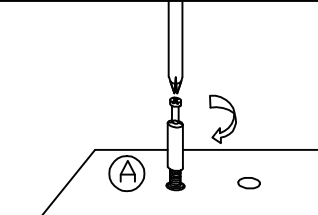
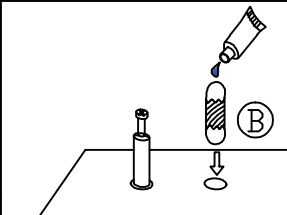
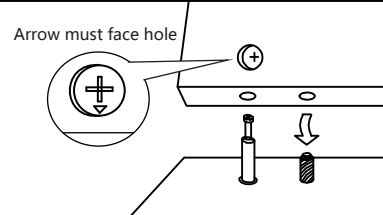
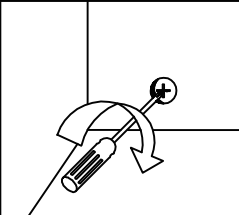
## Panel List



## Exploded Views

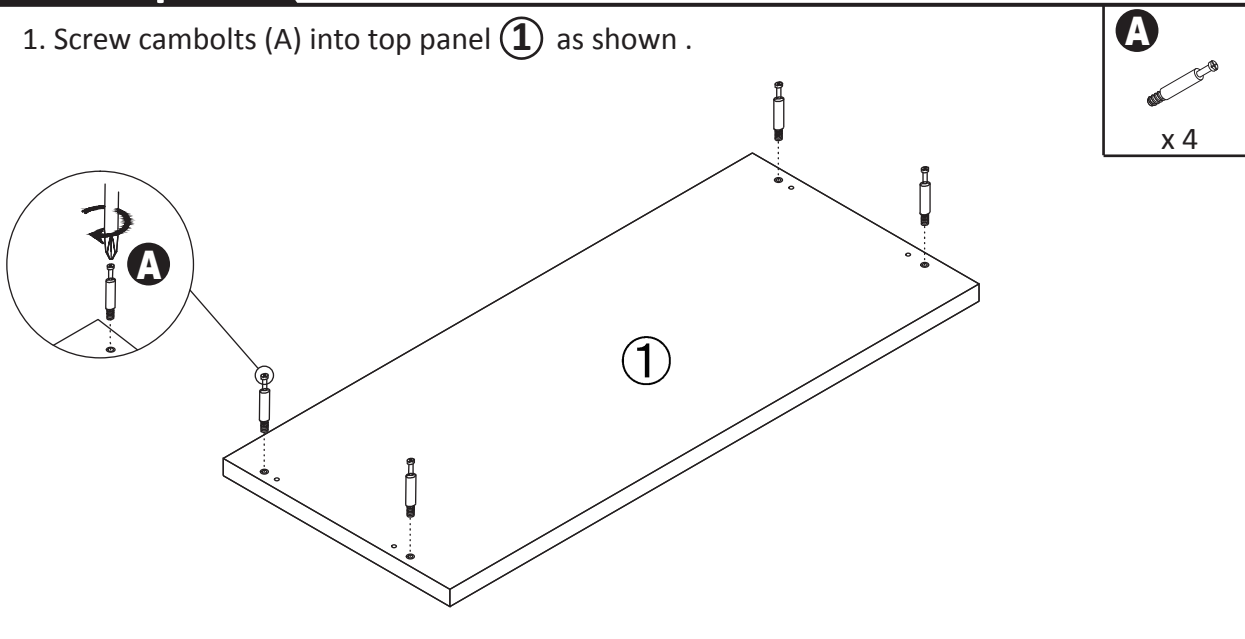


## Assembling the unit with camlocks and wood dowels.

			
Gently screw cam bolt into the threaded anchor.	Lightly glue one end of the wood dowel and tap halfway into hole.	Lightly glue wood dowel and connect to second panel by inserting dowels into holes.	Screw the camlock firmly into locked position.

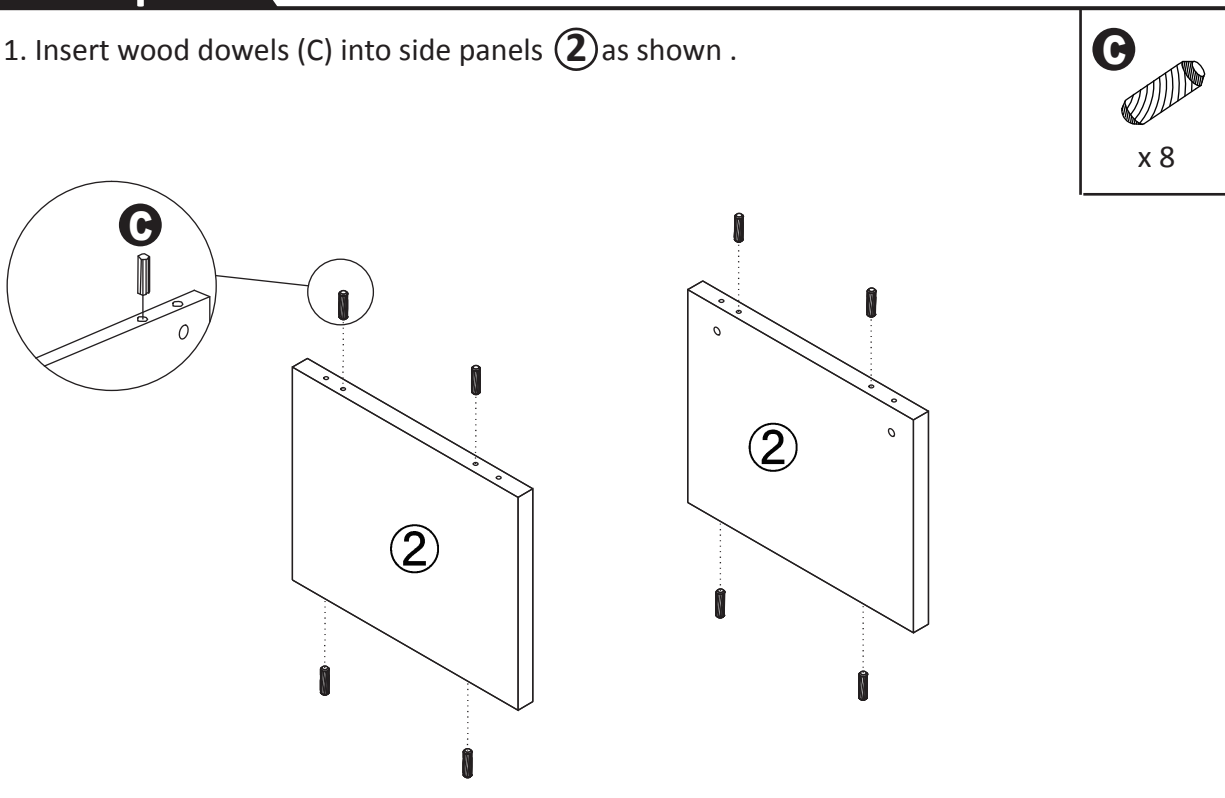
### Step 1

1. Screw cambolts (A) into top panel (1) as shown .



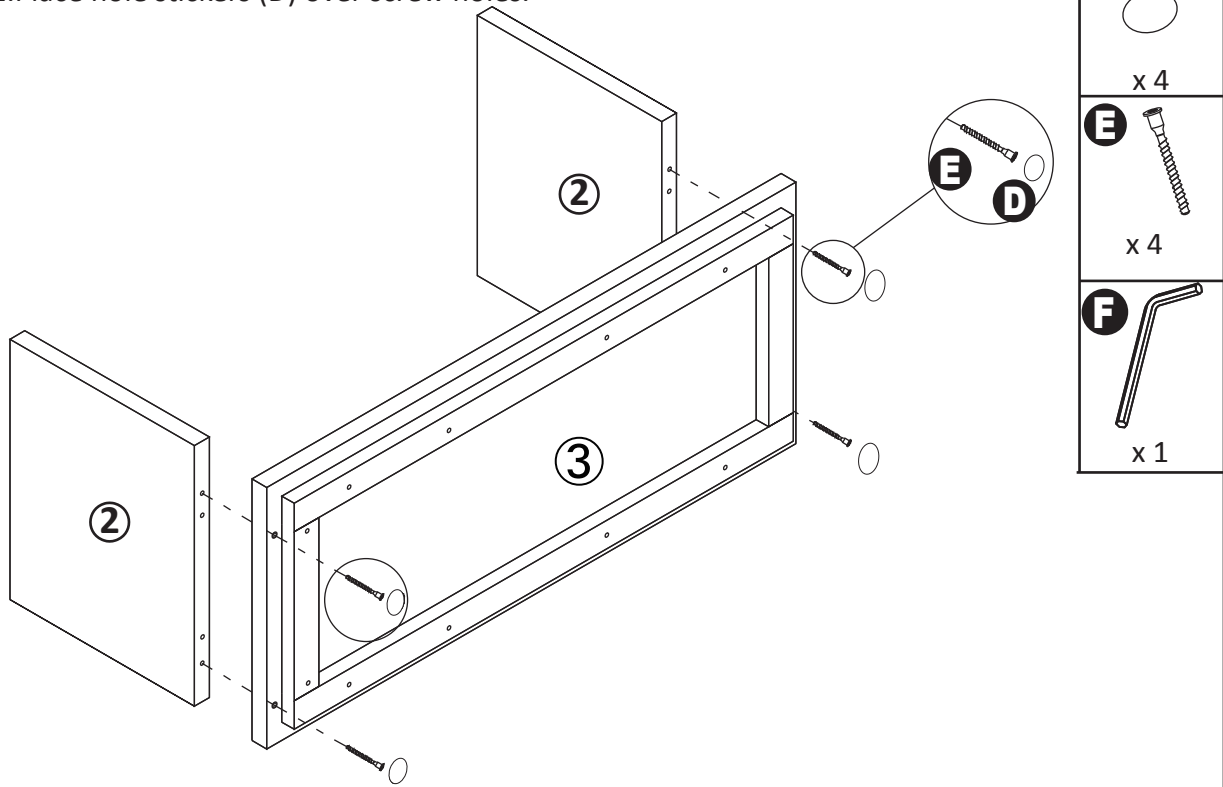
### Step 2

1. Insert wood dowels (C) into side panels (2) as shown .



### Step 3

1. Attach side panels (2) to bottom panel (3) as shown using large screws (E).
2. Place hole stickers (D) over screw holes.



### Step 4

1. Attach top panel (1) to assembly as shown using camlocks (B), gently tighten camlocks.
2. Place hole stickers (D) over screw holes.
3. Enjoy

