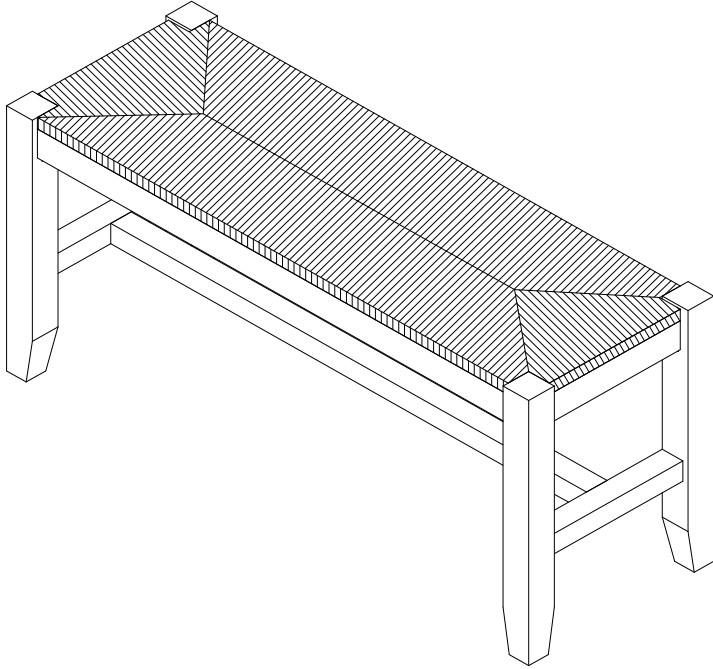


# ASSEMBLY INSTRUCTIONS

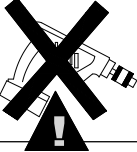
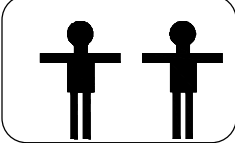

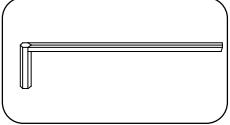
## 40" BENCH W/ RUSH SEAT



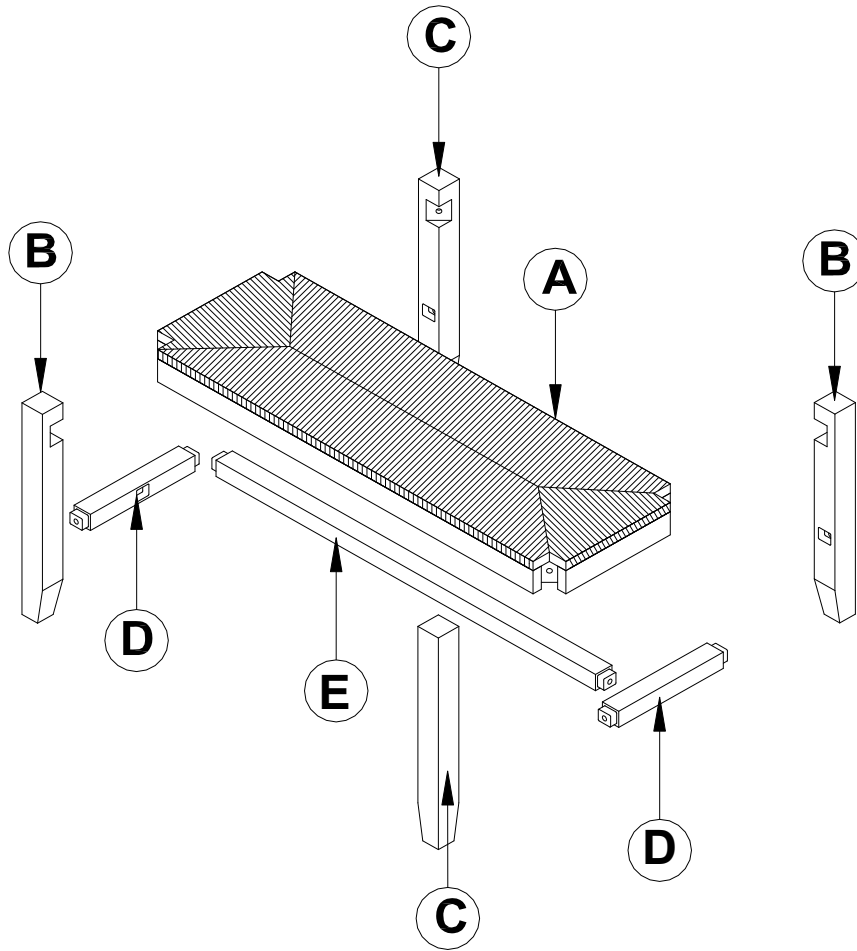
### REPLACEMENT PARTS

Please do not contact the company purchased from as we can help you faster.

Order replacement parts and hardware at "[boltonfurniture.com](http://boltonfurniture.com)"


 <p><b>. Use of power tool to assemble this product will invalidate any claim and damage this product making it unsafe!!!</b> <b>. Please assemble on a clean soft surface to avoid damage.</b></p>	 <p>+</p>  <p><b>30 minutes</b></p>	<p><b><u>Tool Included</u></b></p> 
--	---	--

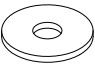
# Part List-40" Bench W/Rush Seat




**Identifying the hardware**-Identify the hardware using the illustrations below.

---


**F**  14  
**M6X45mm**


**G**  14

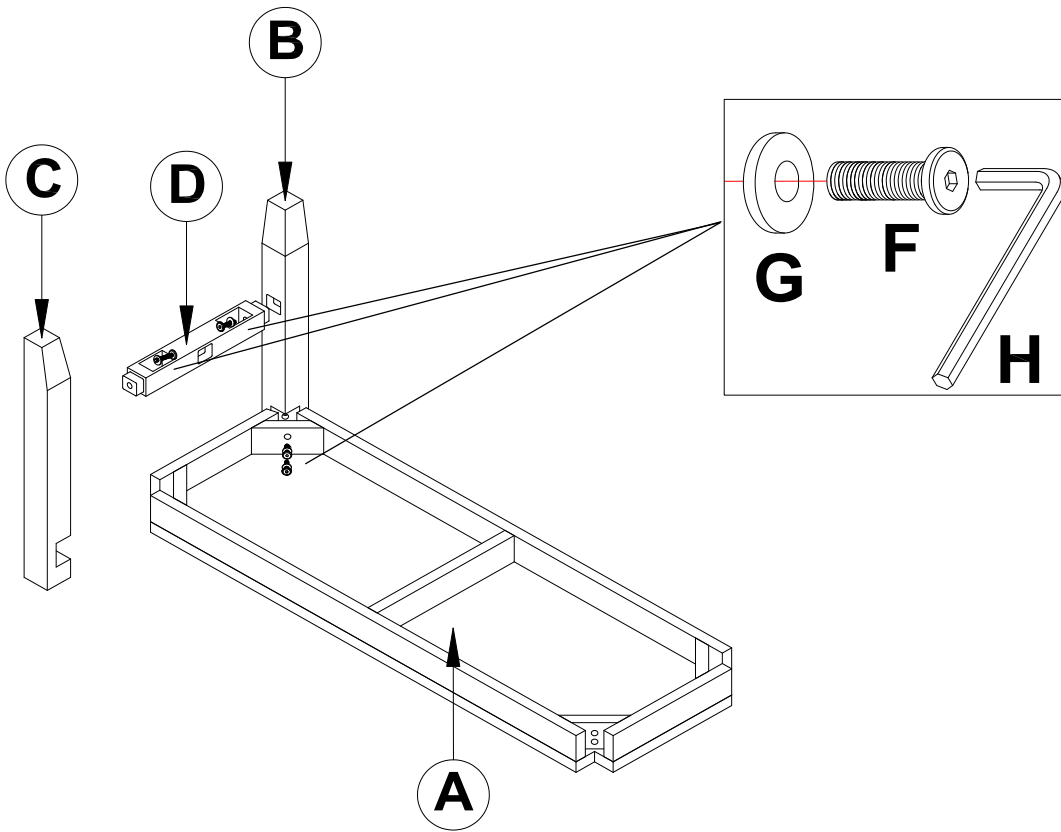
**H**  01

# STEP 1

F  04  
M6X45mm


G  04


H  01

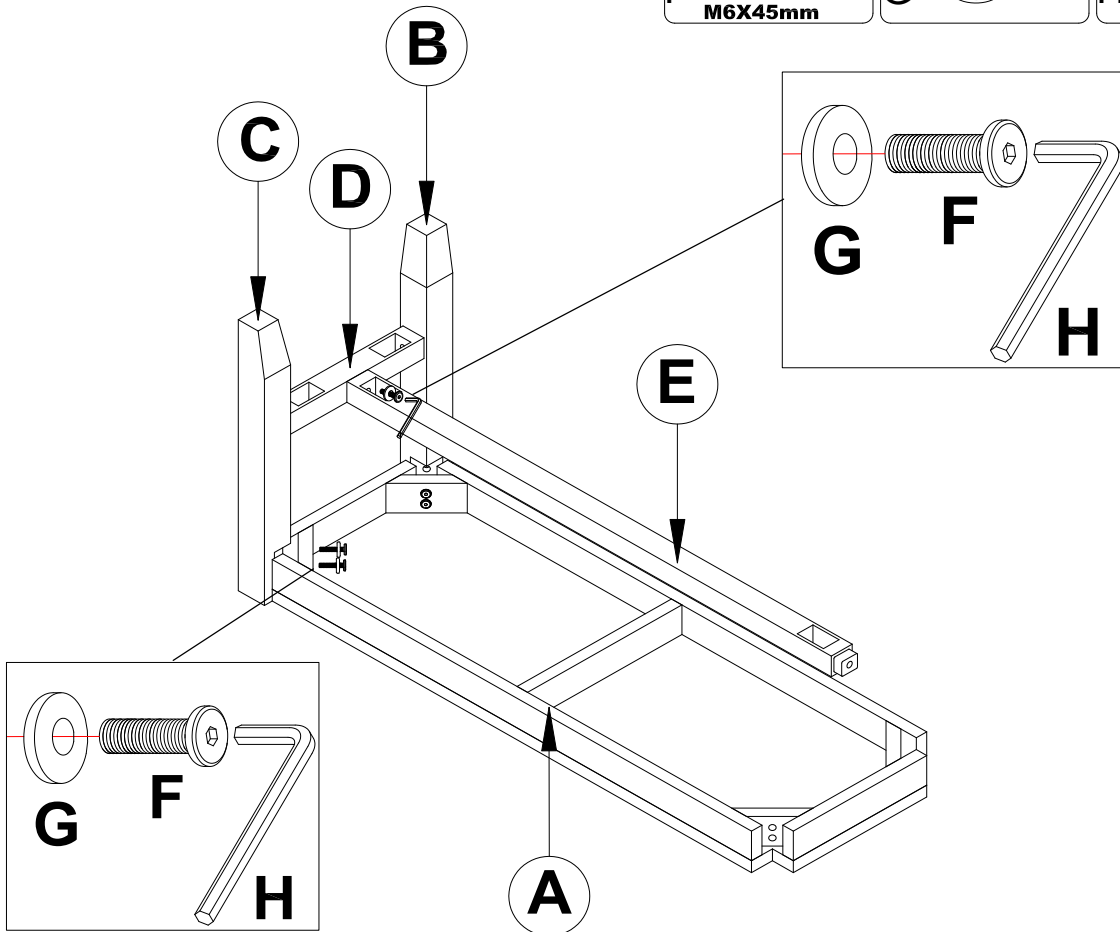


# STEP 2

F  03  
M6X45mm


G  03


H  01



# STEP 3

F  07  
M6X45mm

G  07

H  01

