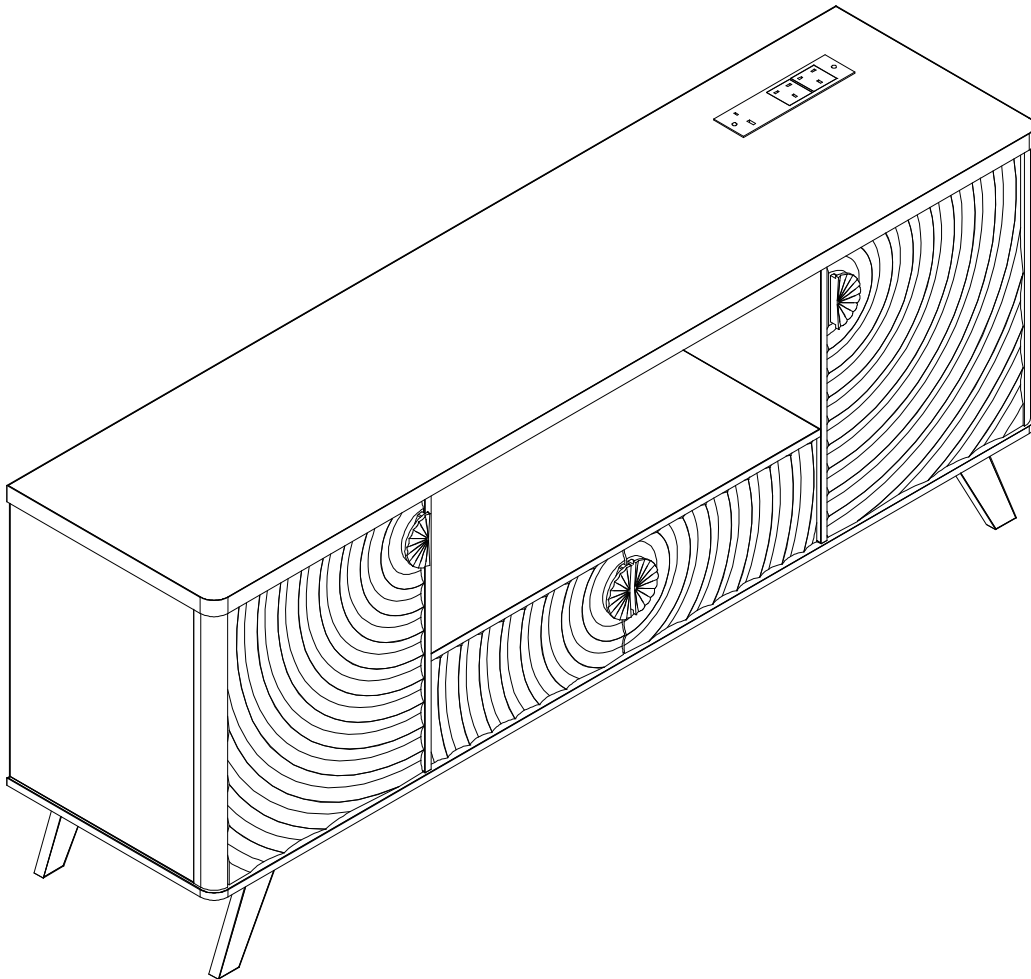
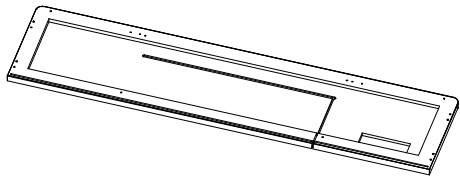
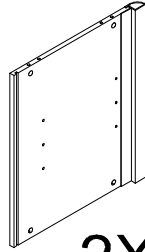


# Product Installation Instructions

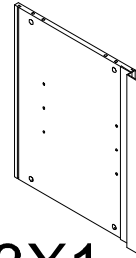




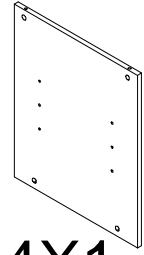
1X1



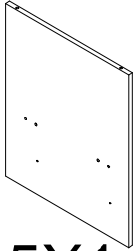
2X1



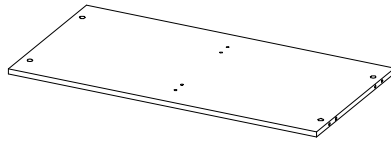
3X1



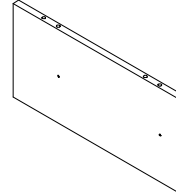
4X1



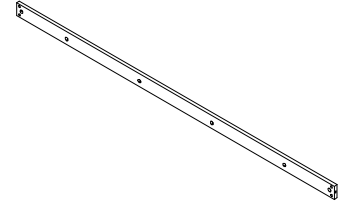
5X1



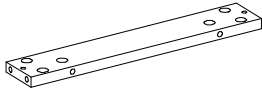
6X1



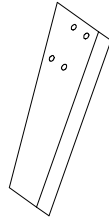
7X1



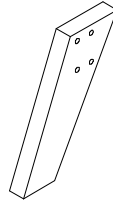
8X2



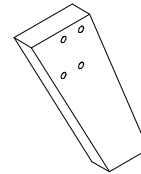
9X2



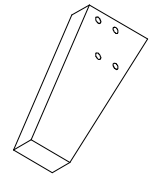
10X1



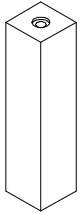
11X1



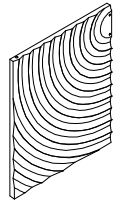
12X1



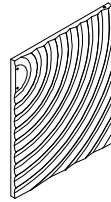
13X1



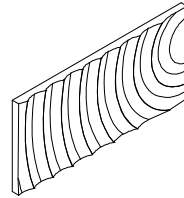
14X1



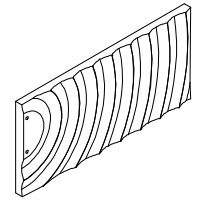
15X1



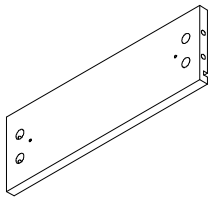
16X1



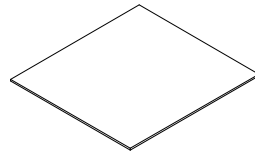
17X1



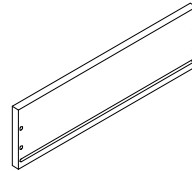
18X1



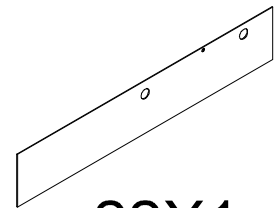
19X4



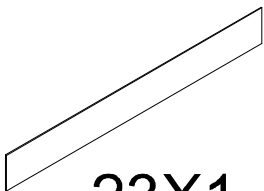
20X2



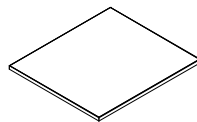
21X2



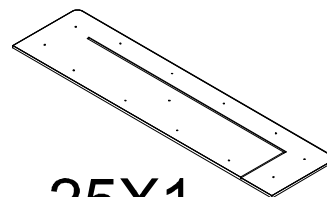
22X1



23X1

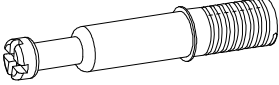
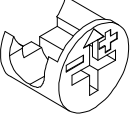




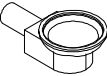


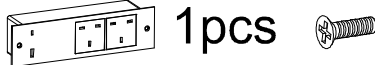

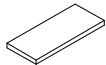

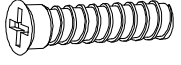







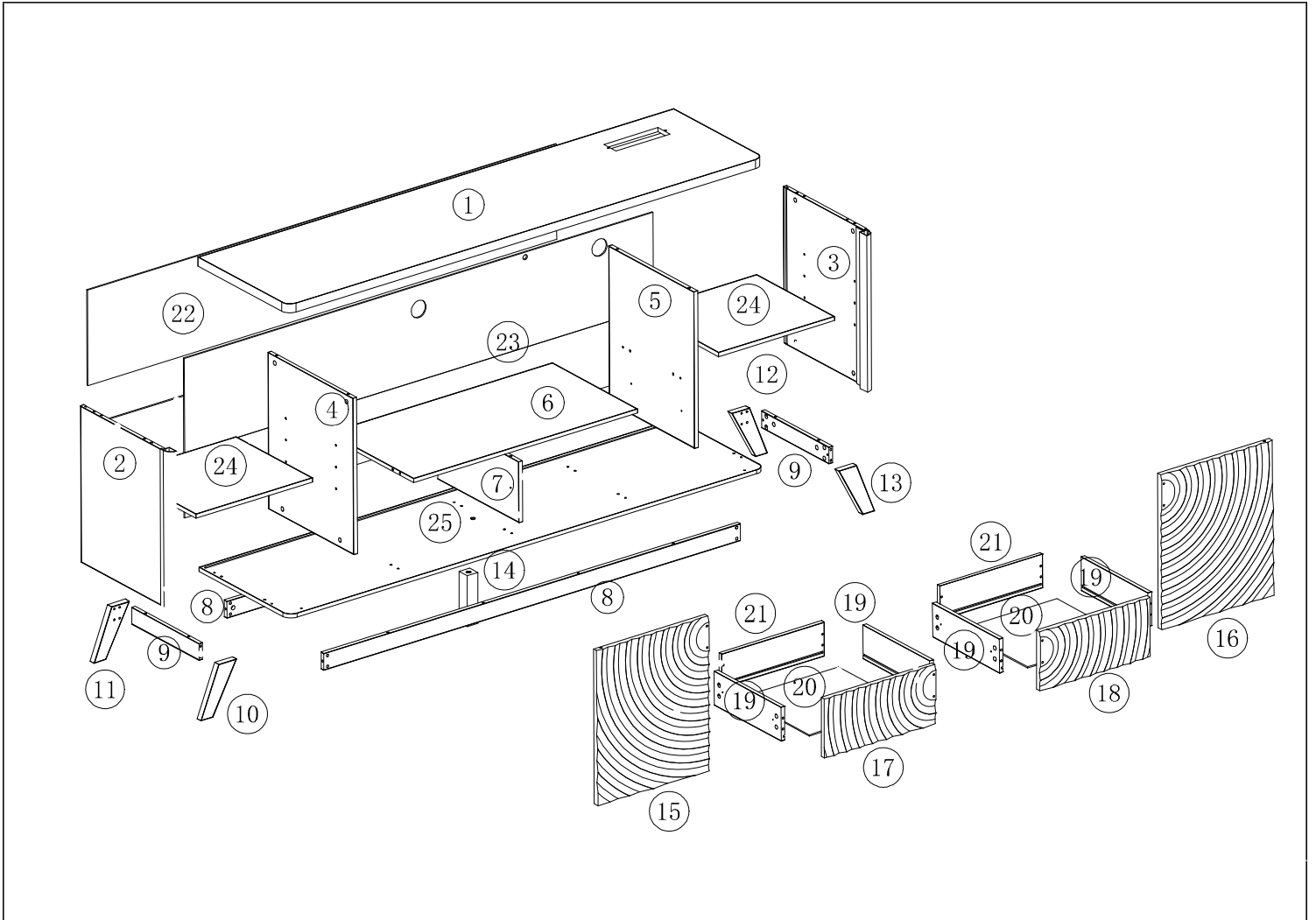
24X2



25X1

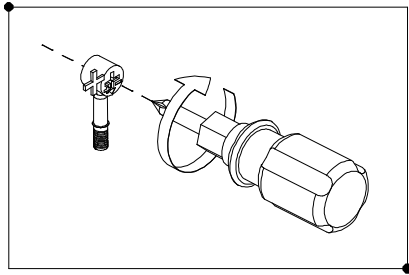
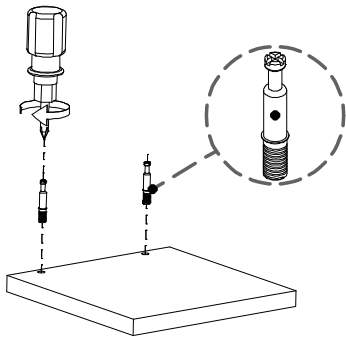
# Accessories list

<p><b>A</b></p>	 <p><b>64pcs</b> Two in one screw (6x28mm)</p>	<p><b>B</b></p>	 <p><b>64pcs</b> Two in one nut (10x12mm)</p>
<p><b>C</b></p>	 <p><b>20pcs</b> Wood chipping (6x30mm)</p>	<p><b>D</b></p>	 <p><b>4pcs 8pcs</b> Handle &amp; screw (4x22mm)</p>
<p><b>E</b></p>	 <p><b>2pcs 4pcs</b> Door Magnet &amp; Screw(3X16mm)</p>	<p><b>F</b></p>	 <p><b>2pcs 4pcs</b> Iron Sheet &amp; Screw(3x12mm)</p>
<p><b>G</b></p>	 <p><b>8pcs</b> Laminate support nail</p>	<p><b>H</b></p>	 <p><b>4pcs 24pcs</b> Screw &amp; Guide (12 inch) screw (3X12mm)</p>
<p><b>J</b></p>	 <p><b>16pcs 16pcs</b> Back plate buckle &amp; Screw 3x16mm</p>	<p><b>K</b></p>	 <p><b>1pcs 2pcs</b> module screw (3X12mm)</p>
<p><b>L</b></p>	 <p><b>2pcs</b> Wire Clamp</p>	<p><b>M</b></p>	 <p><b>4pcs</b> Foot rubber pad(35x15x2mm)</p>
<p><b>N</b></p>	 <p><b>4pcs</b> Door shaft</p>	<p><b>O</b></p>	 <p><b>8pcs</b> screw (7X28mm)</p>
<p><b>P</b></p>	 <p><b>1pcs</b> screw (6X30mm)</p>	<p><b>Q</b></p>	 <p><b>2pcs</b> length=783</p>
<p><b>R</b></p>	 <p><b>2pcs</b> Needle</p>	<p><b>S</b></p>	 <p><b>1PCS</b> Foot rubber pad(36x36x2mm)</p>
<p><b>T</b></p>	 <p><b>1pcs</b> Double-head screwdriver, use as required</p>		



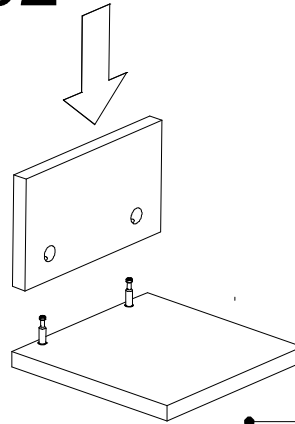
Use parts ① and ②

Step1

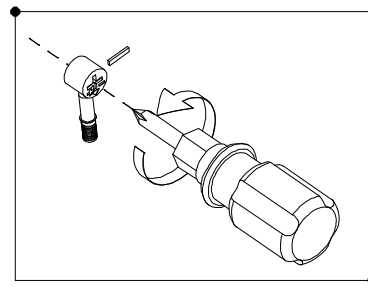
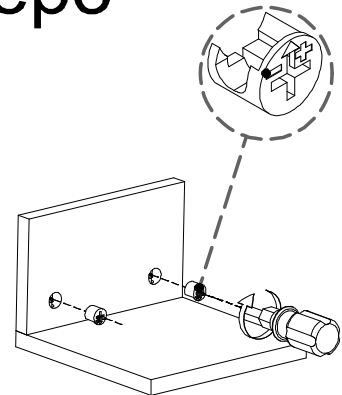


Use a screwdriver to lock in the direction of the "+" sign

Step2

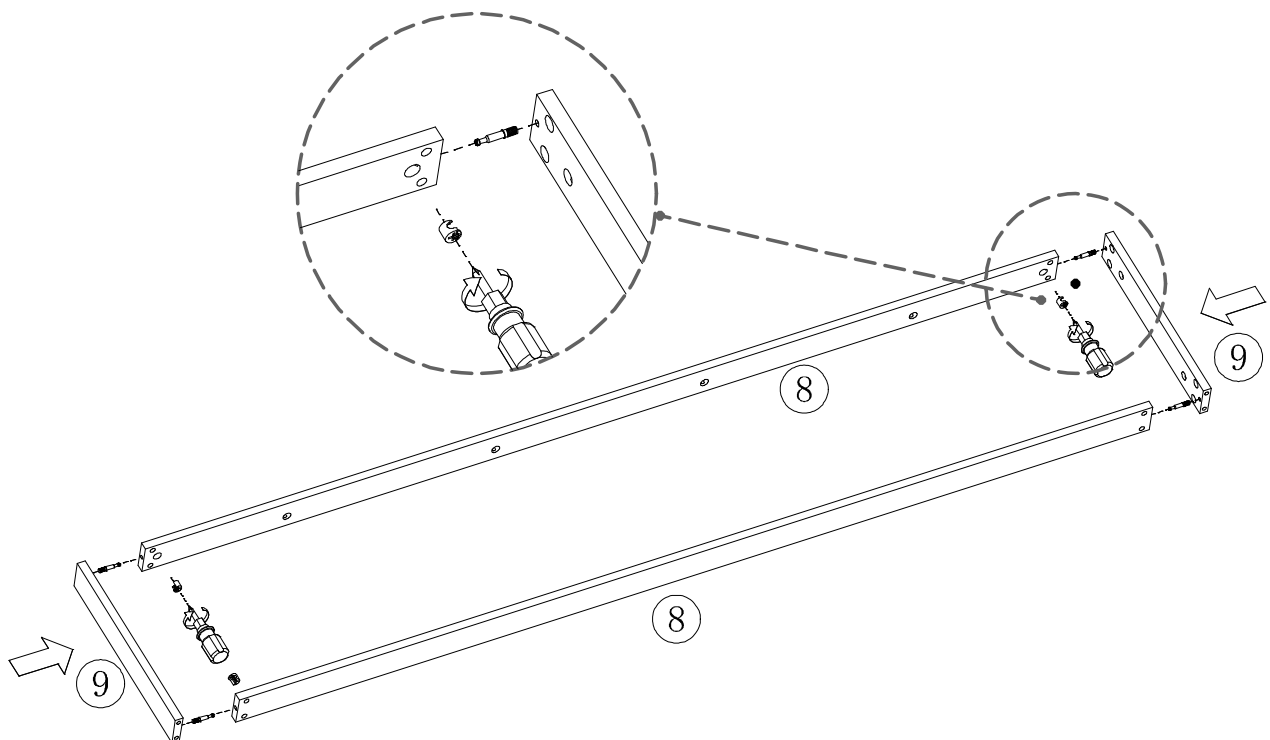


Step3

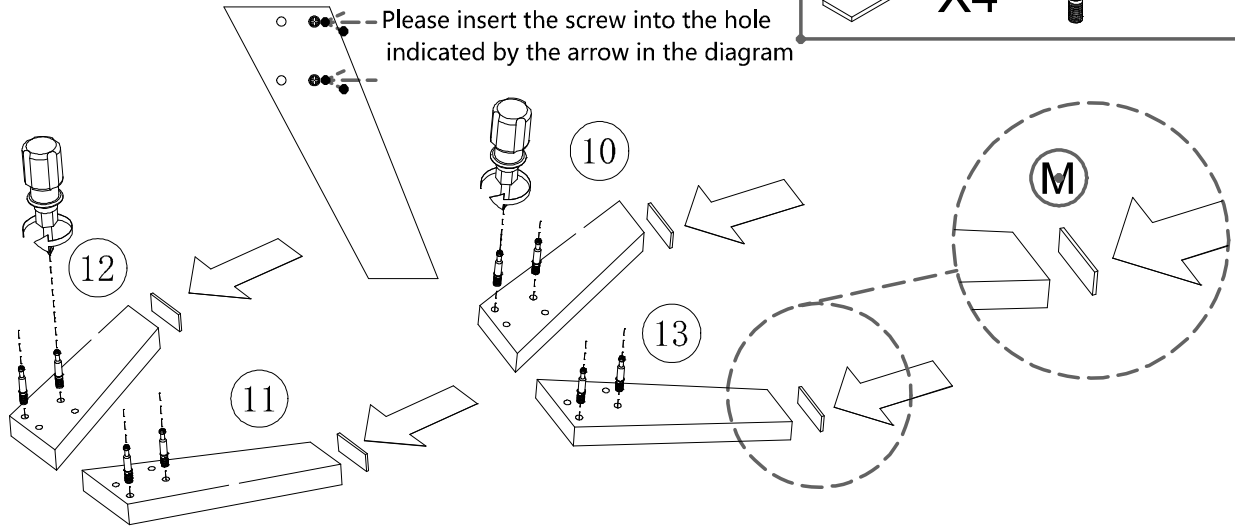


Disassemble along the direction of "-" sign

01

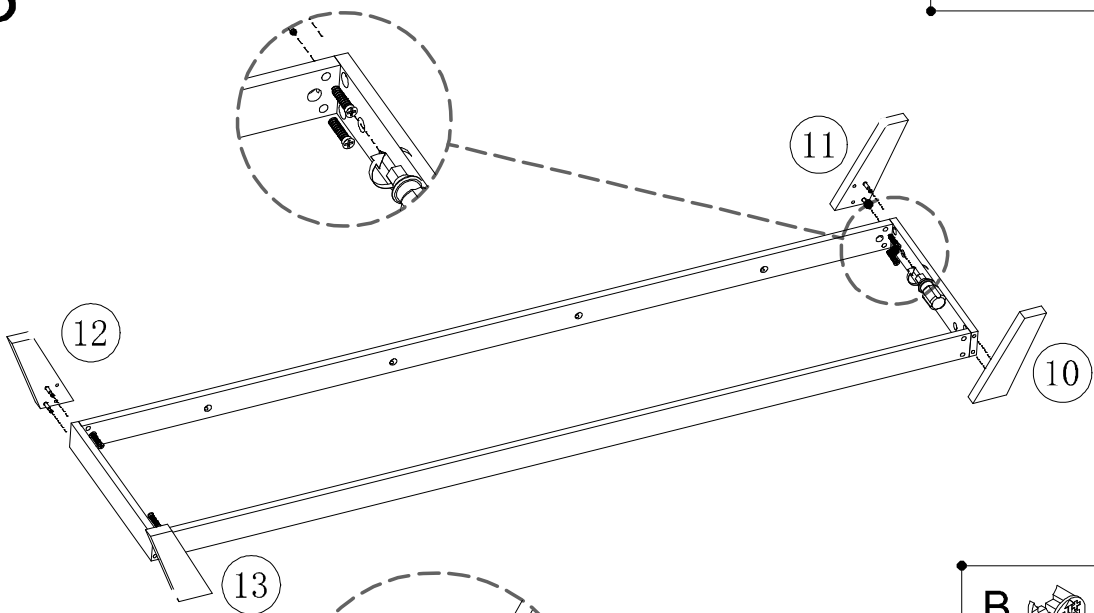


M X4 A X8



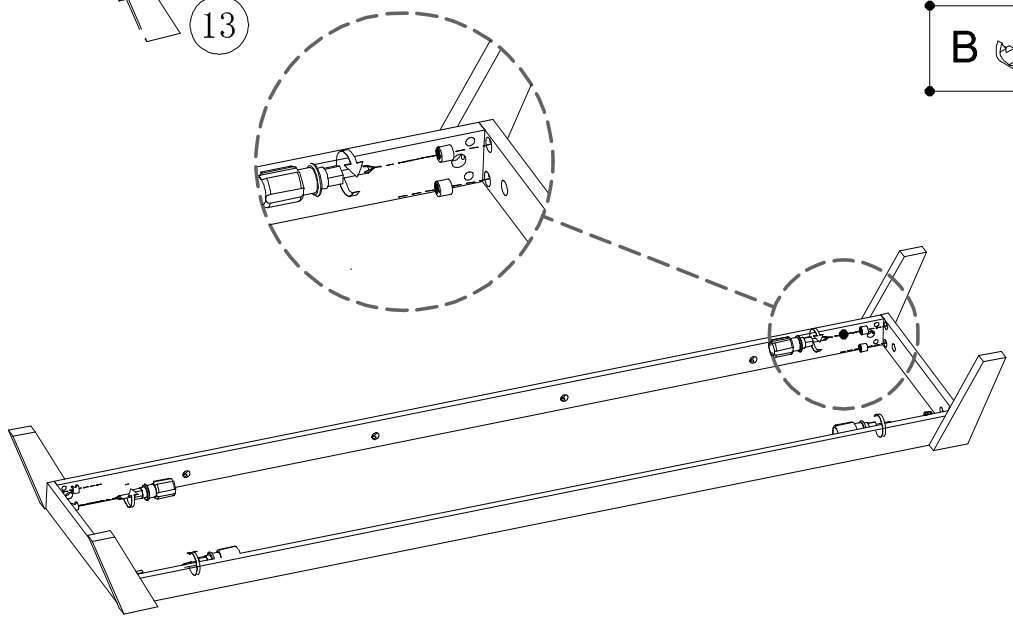
03

O X8




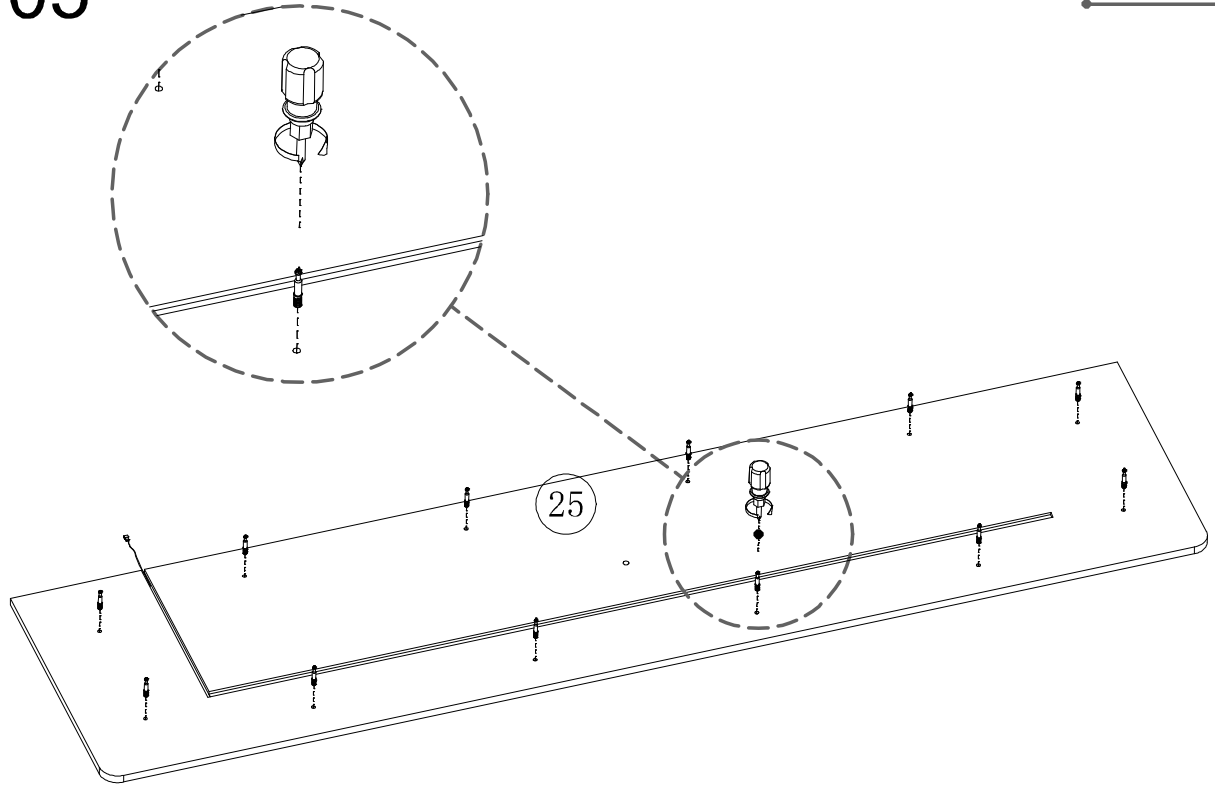
04

B X8





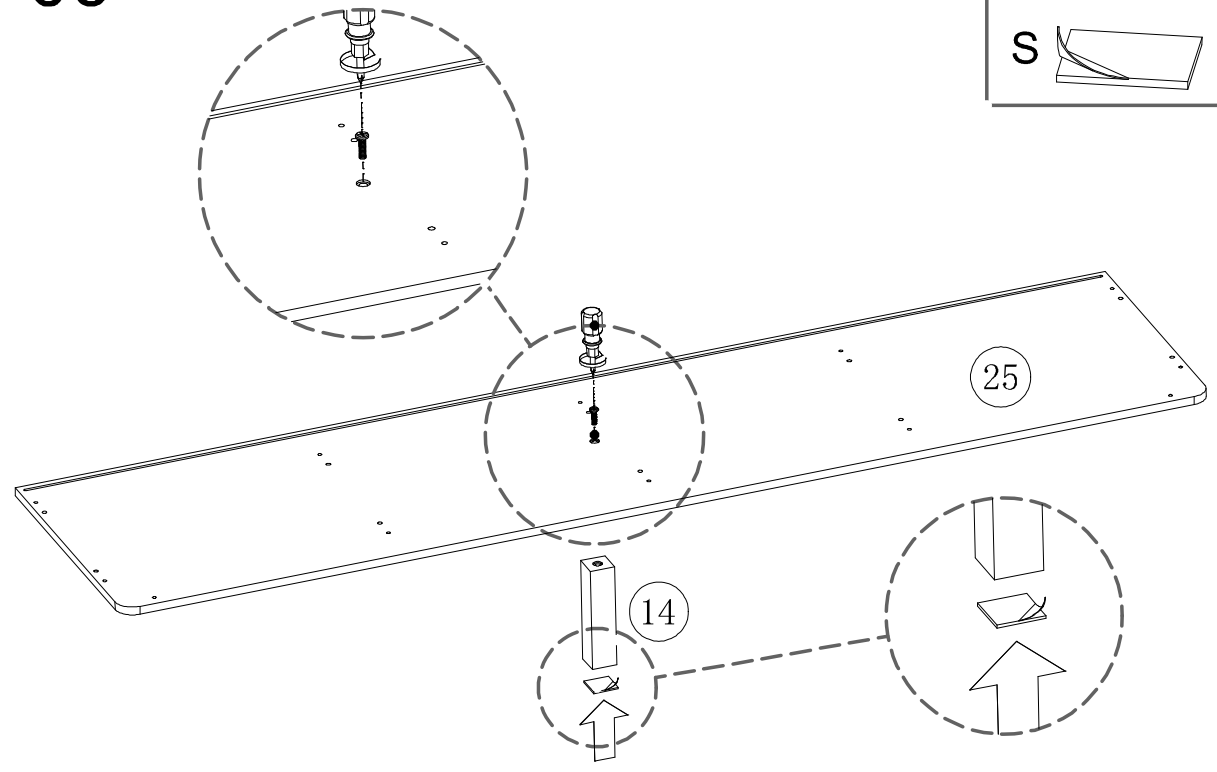
05

A  X12



06

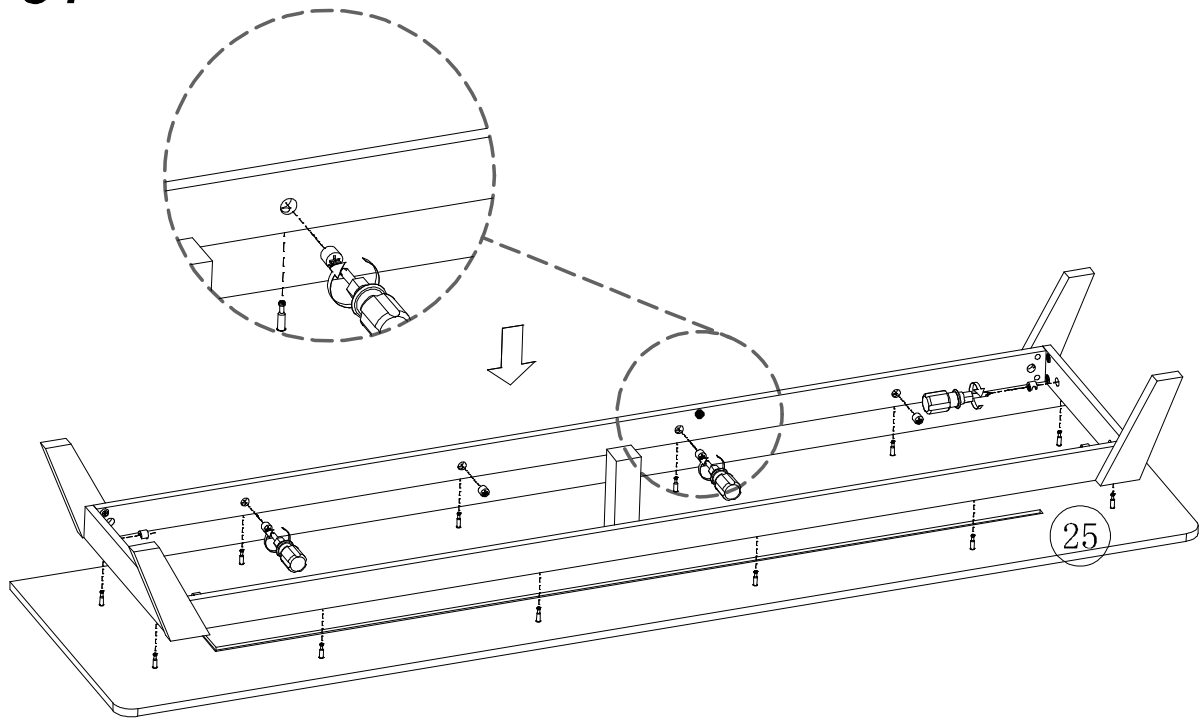
P  X1  
S  X1



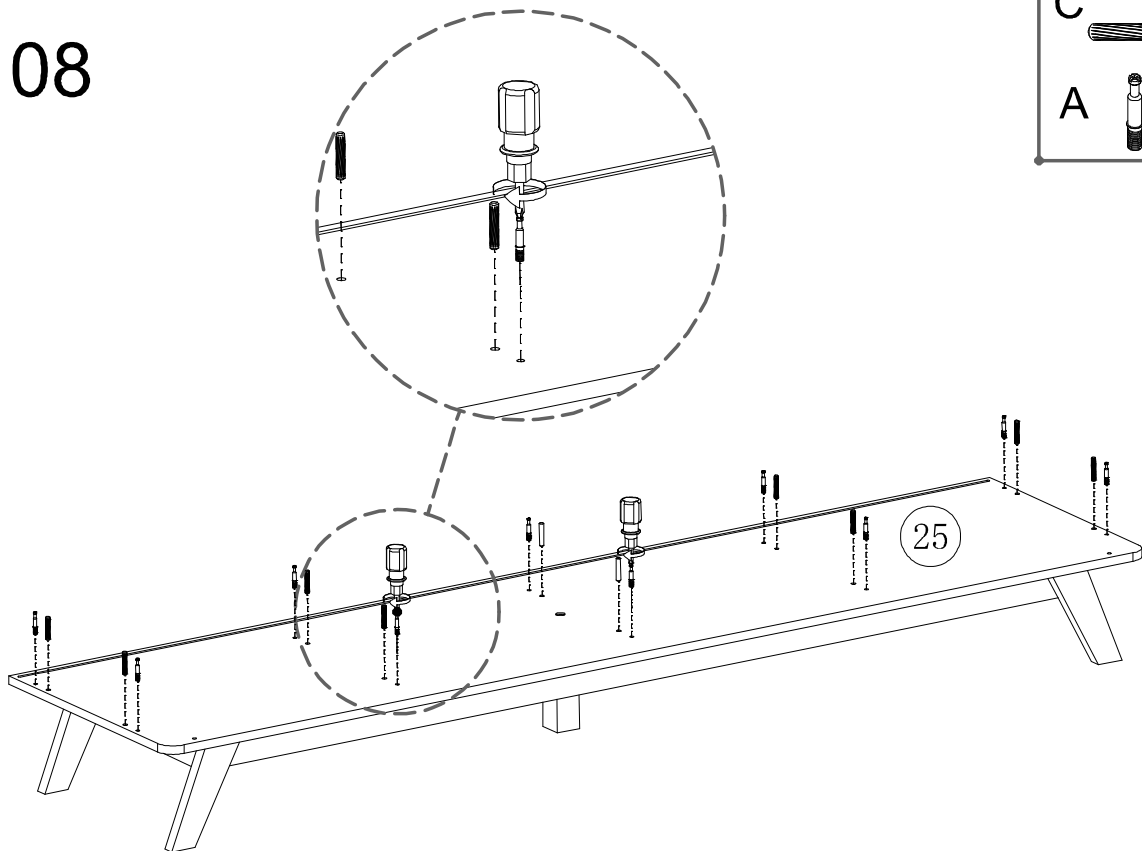




BX12

07




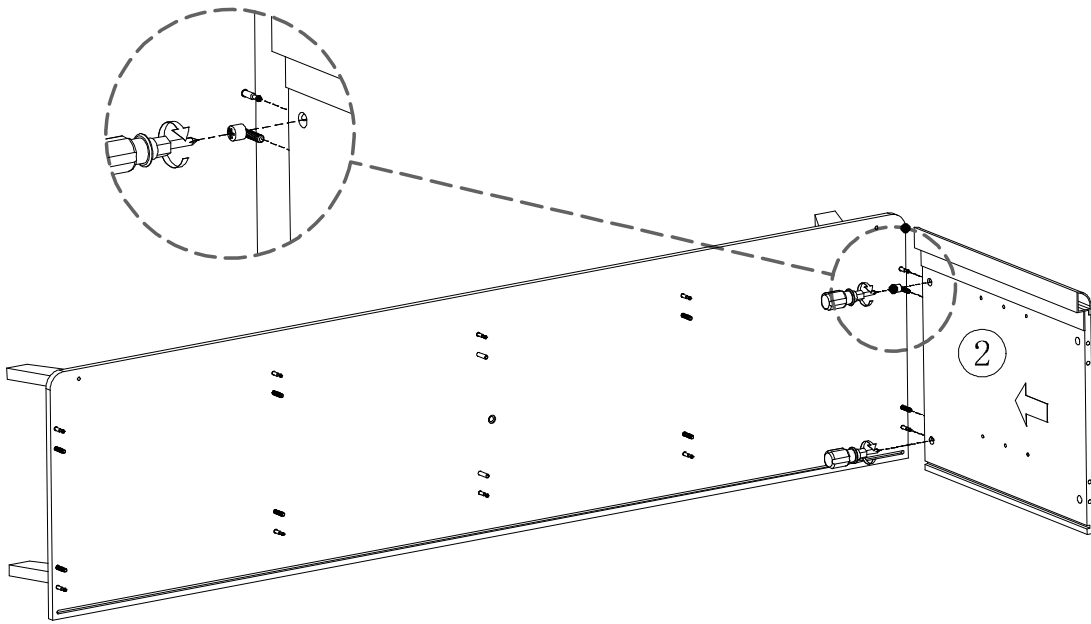
08



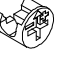
- C  X10
- A  X10

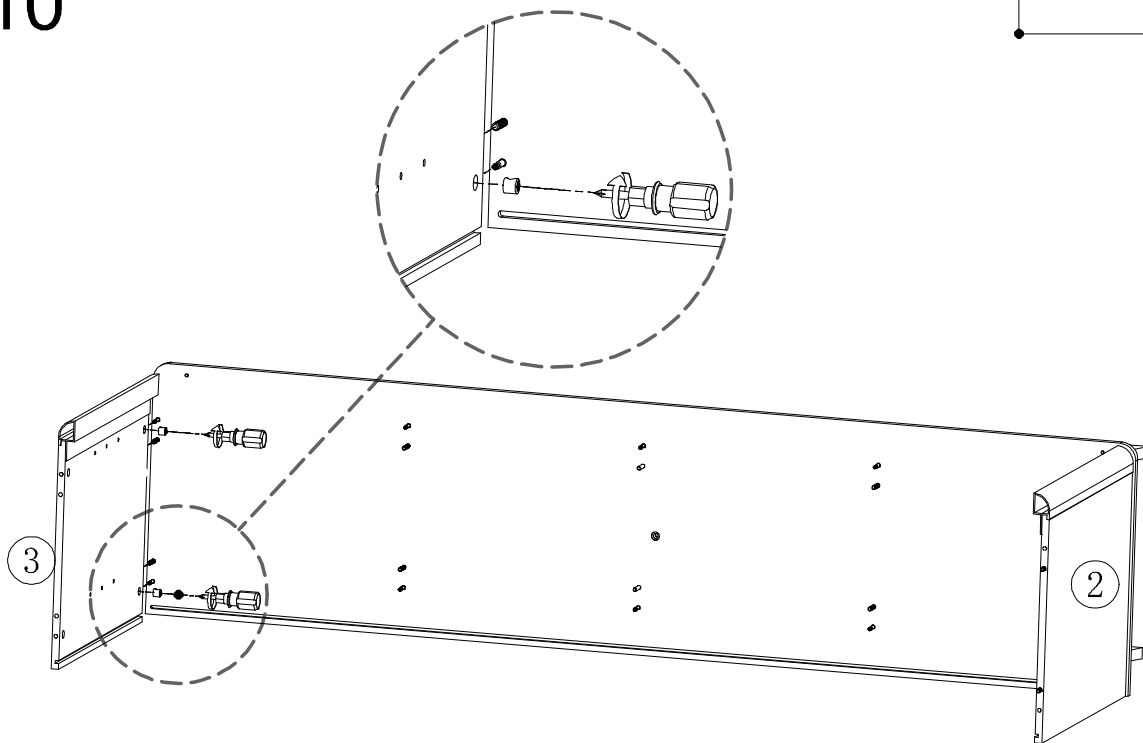
09

B  X2

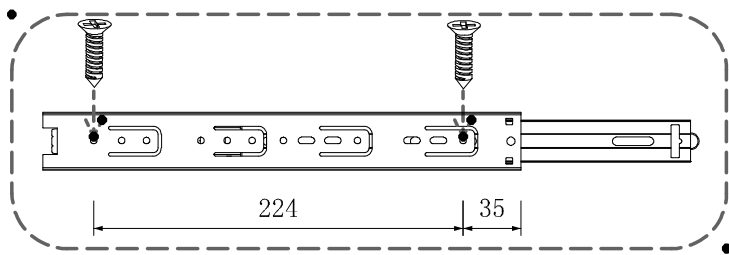


10

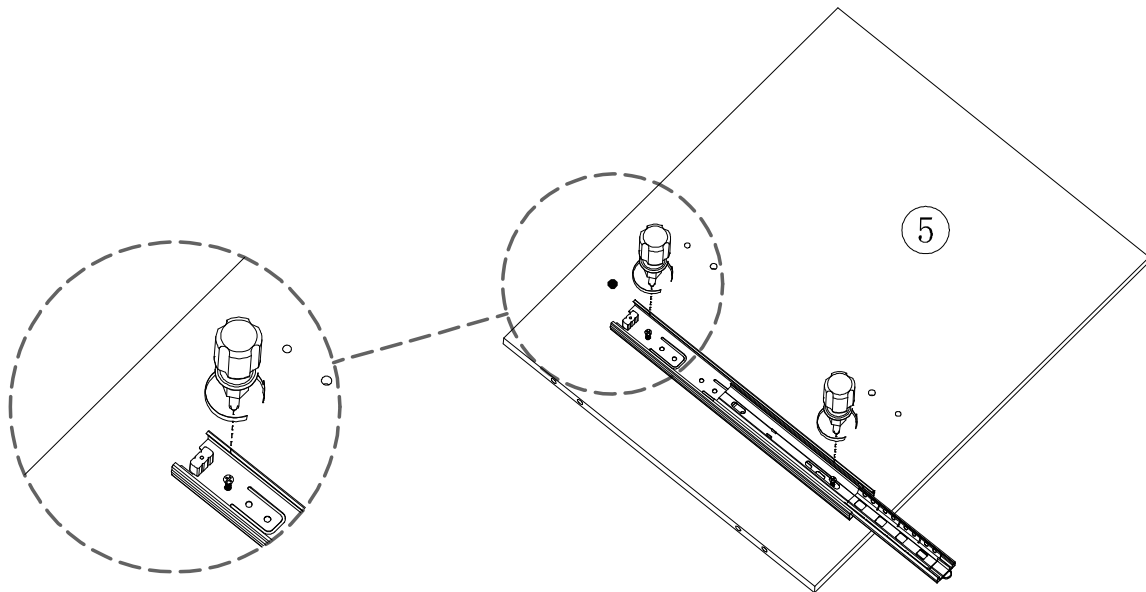
B  X2



11

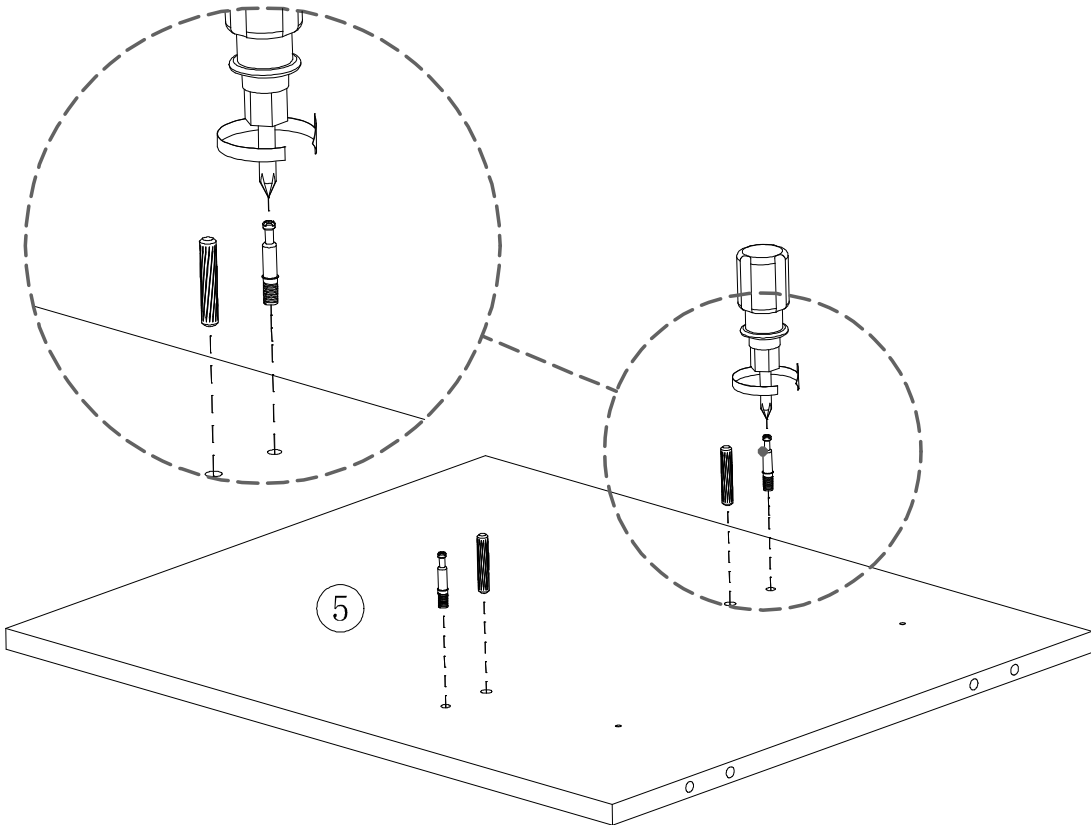


H		X1
		X2

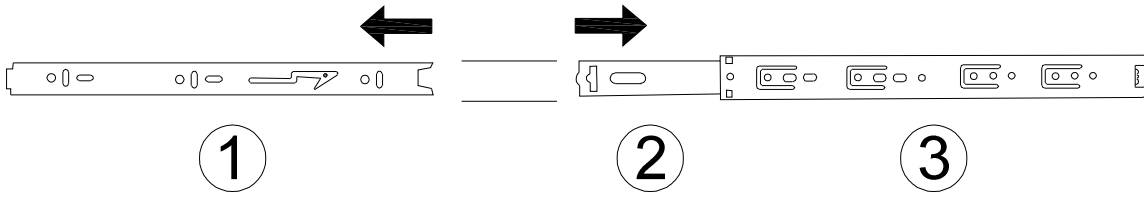


12

C		X2
A		X2

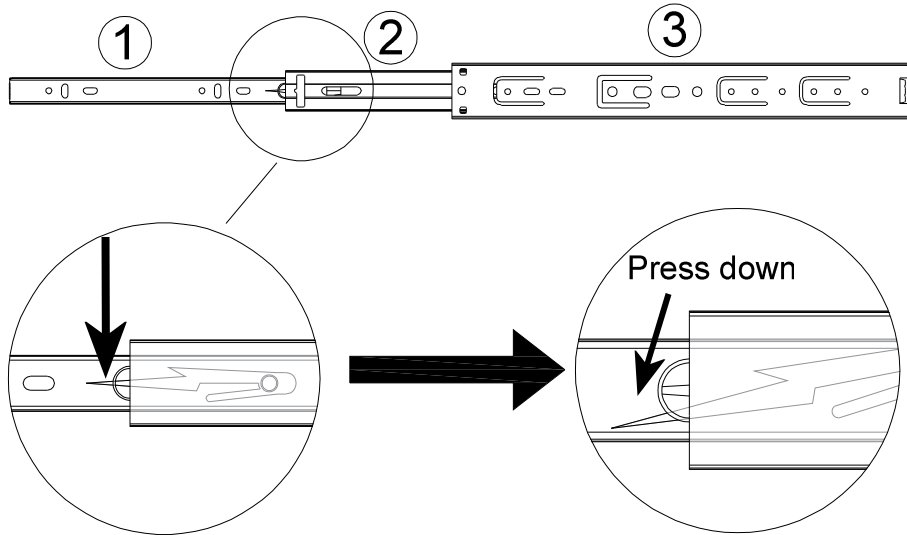


Drawer rail breakdown diagram



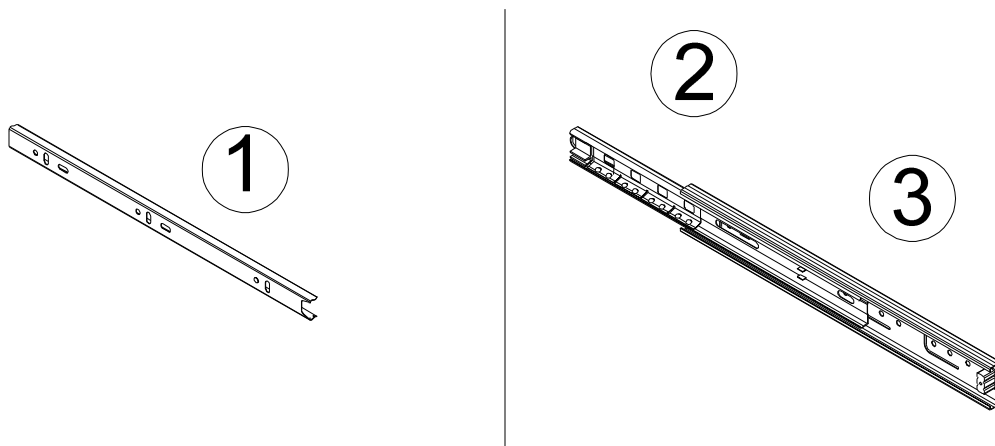
① Dismantle the schematic diagram

Step 1 : Pull the rails apart

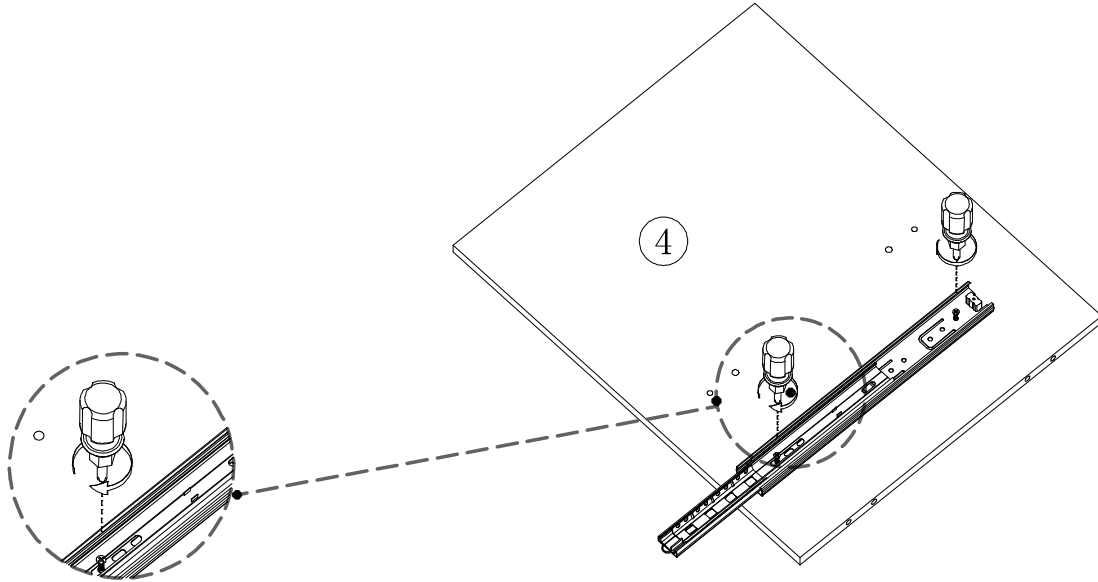
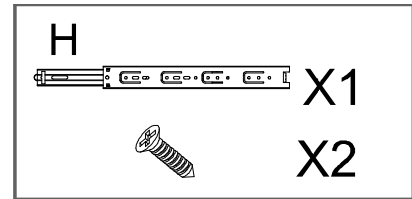
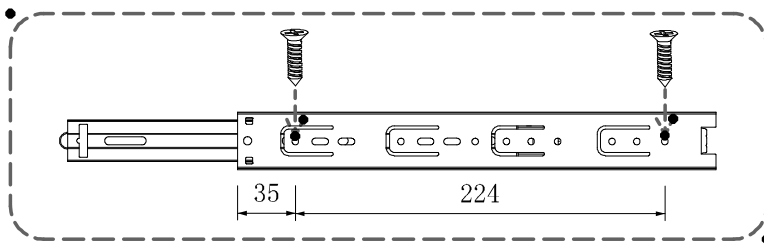


Step 2 : Press the nylon button and pull out ①.

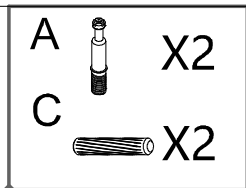
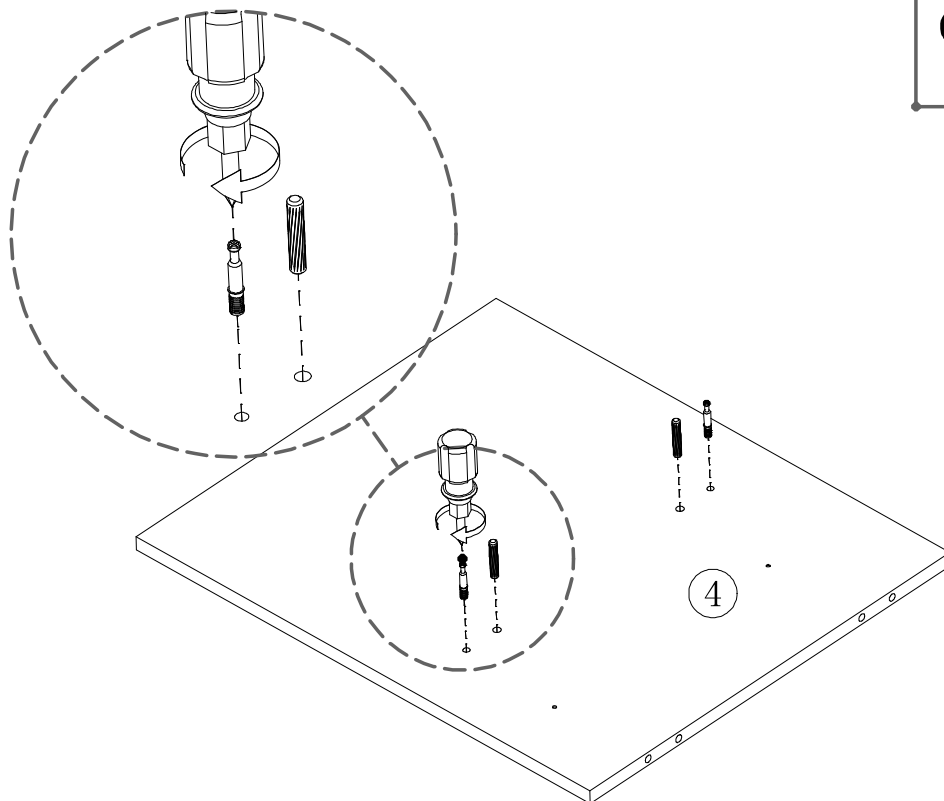
Drawer rail decomposition completed schematic diagram



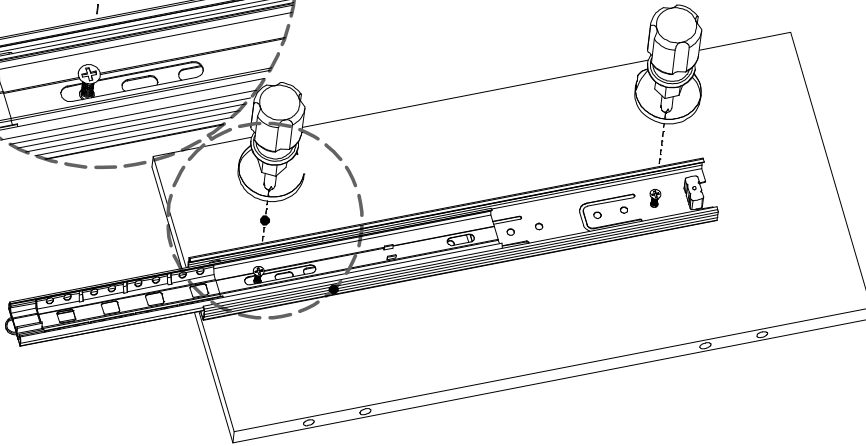
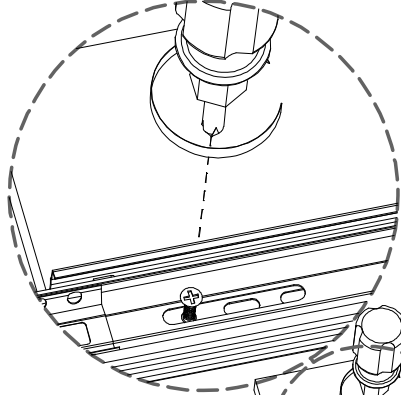
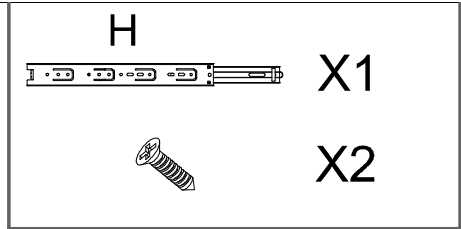
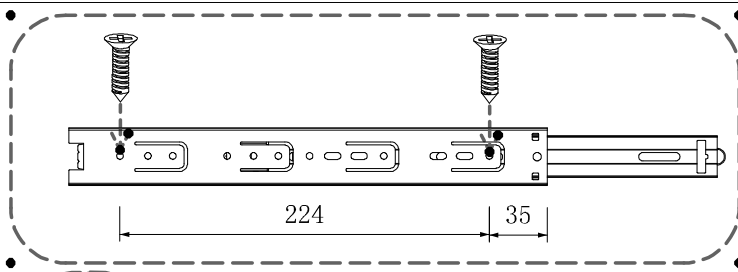
13



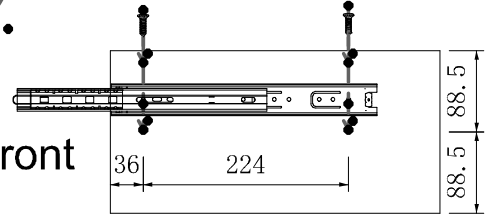
14



15

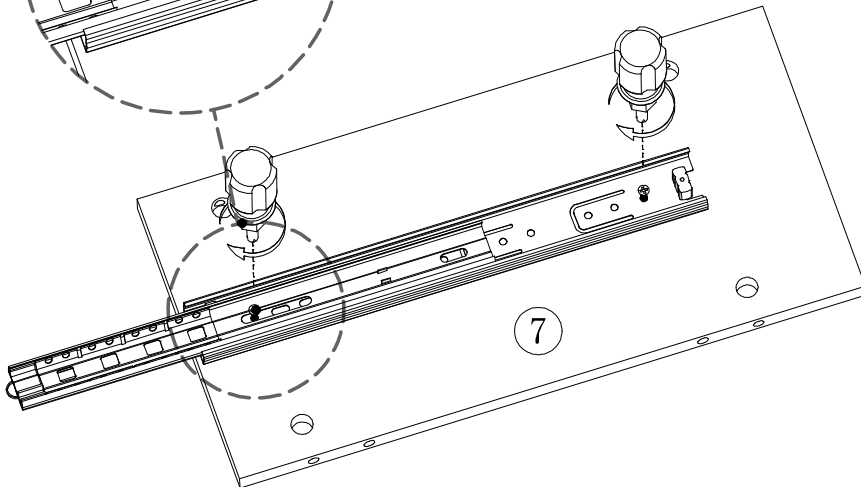
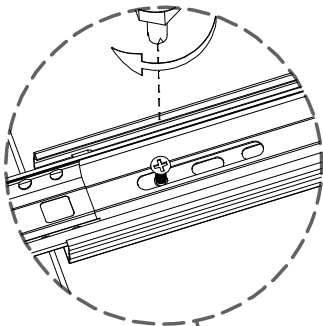
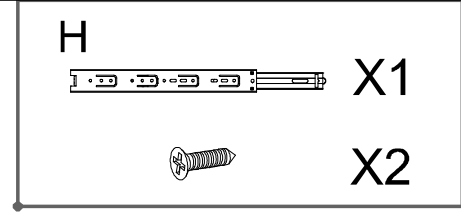
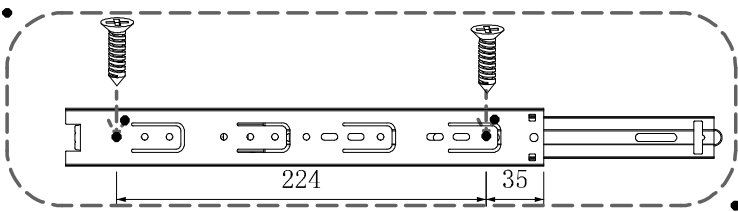


Front

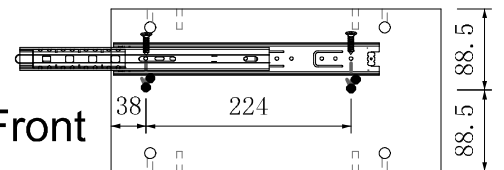


Insert the screw into the hole indicated by the arrow as shown in the diagram

16


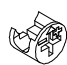



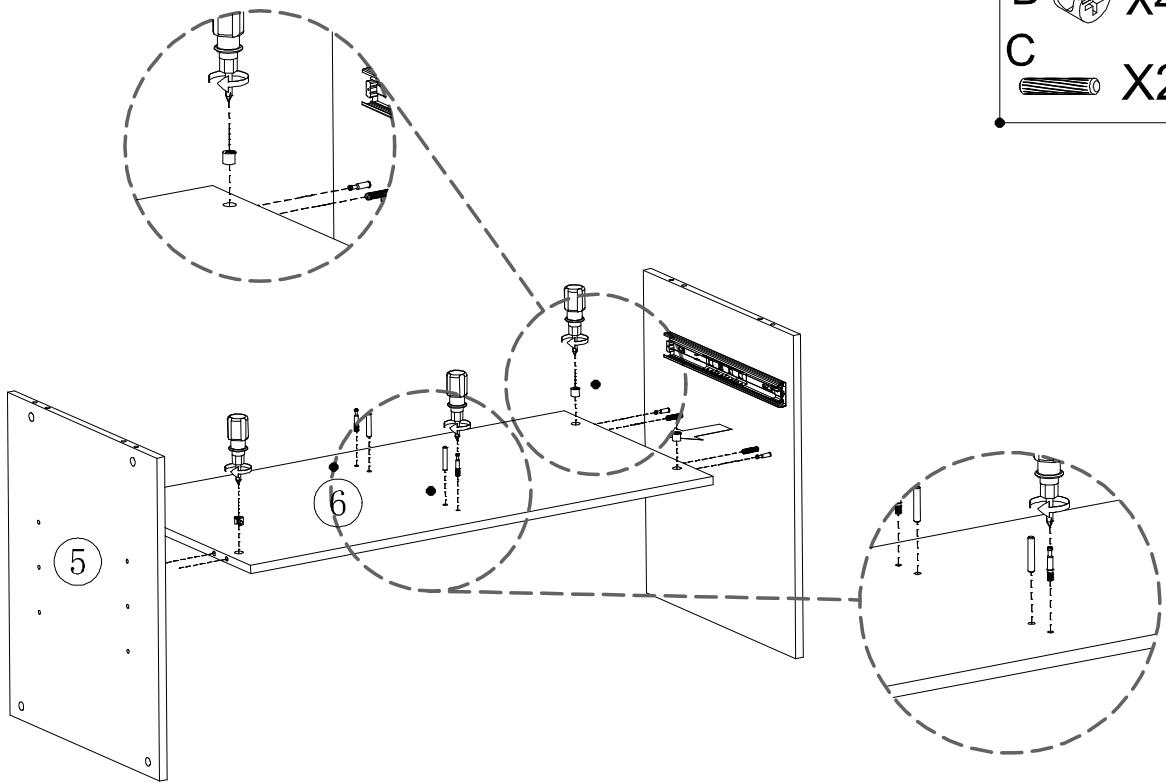
Front




Insert the screw into the hole indicated by the arrow as shown in the diagram

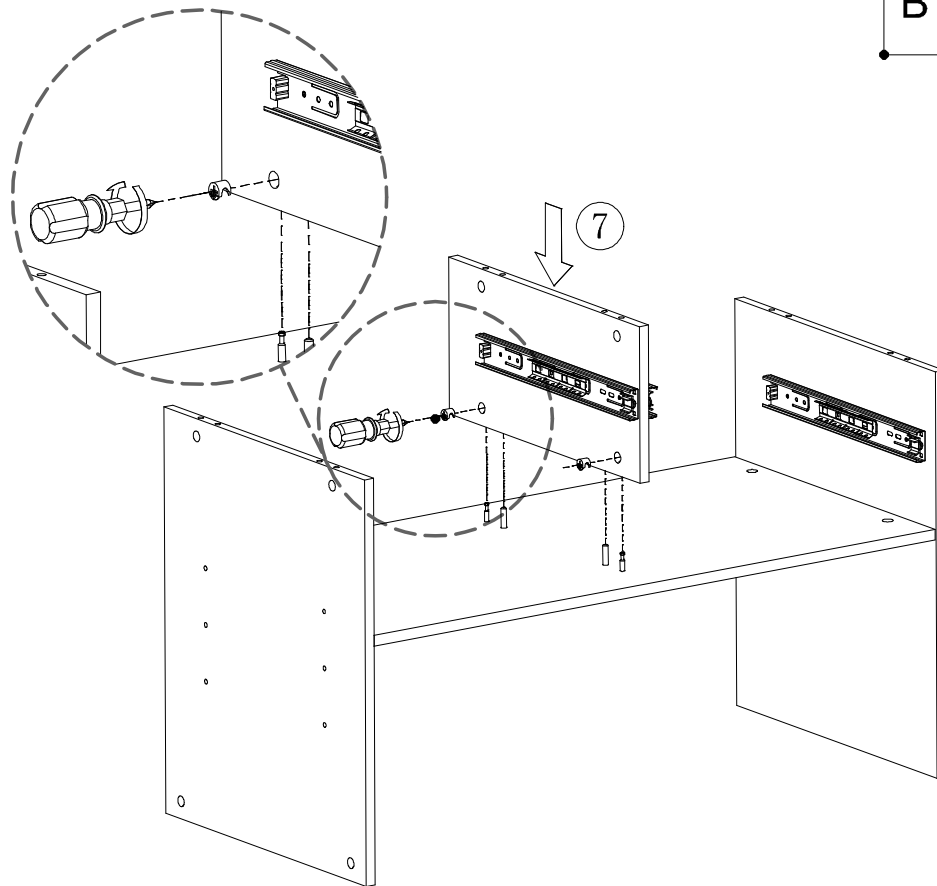
17

- A  X2
- B  X4
- C  X2



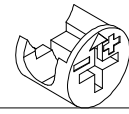
18

- B  X2

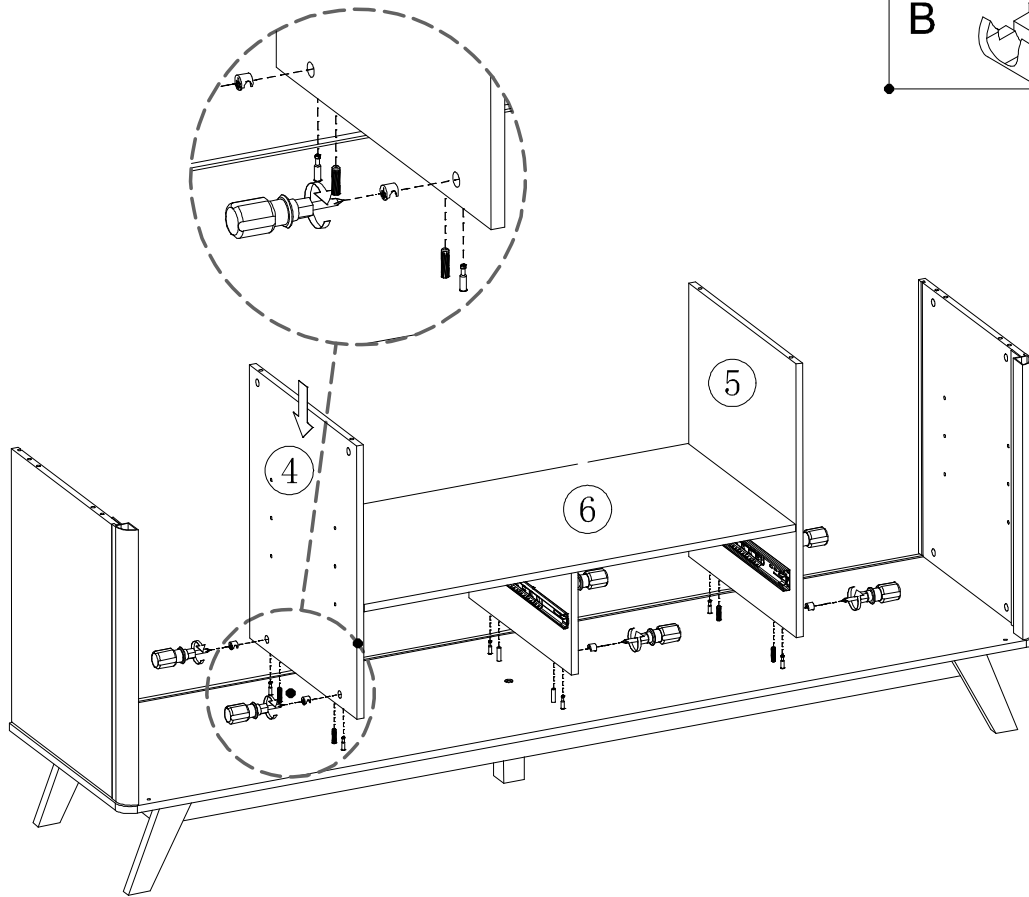


19

B

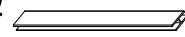


X6

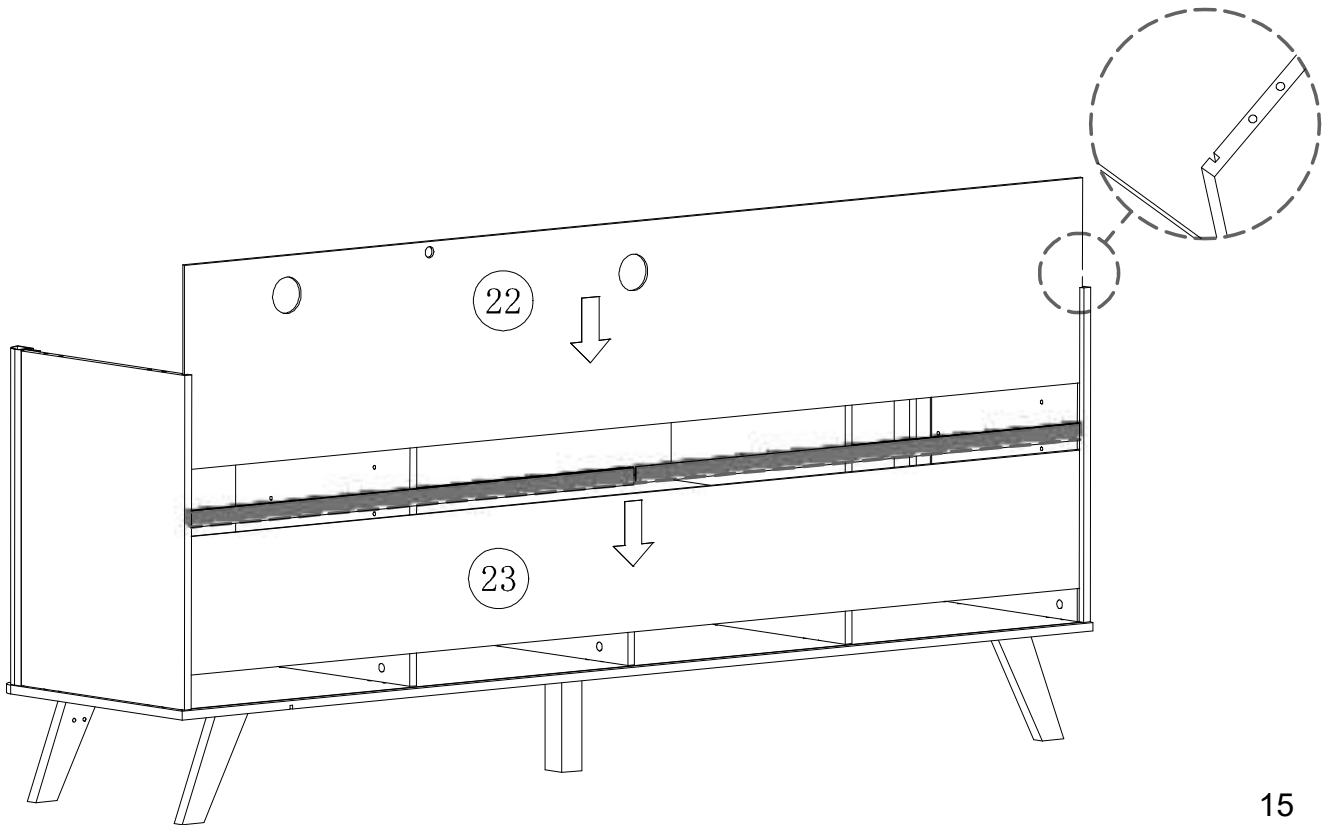


20

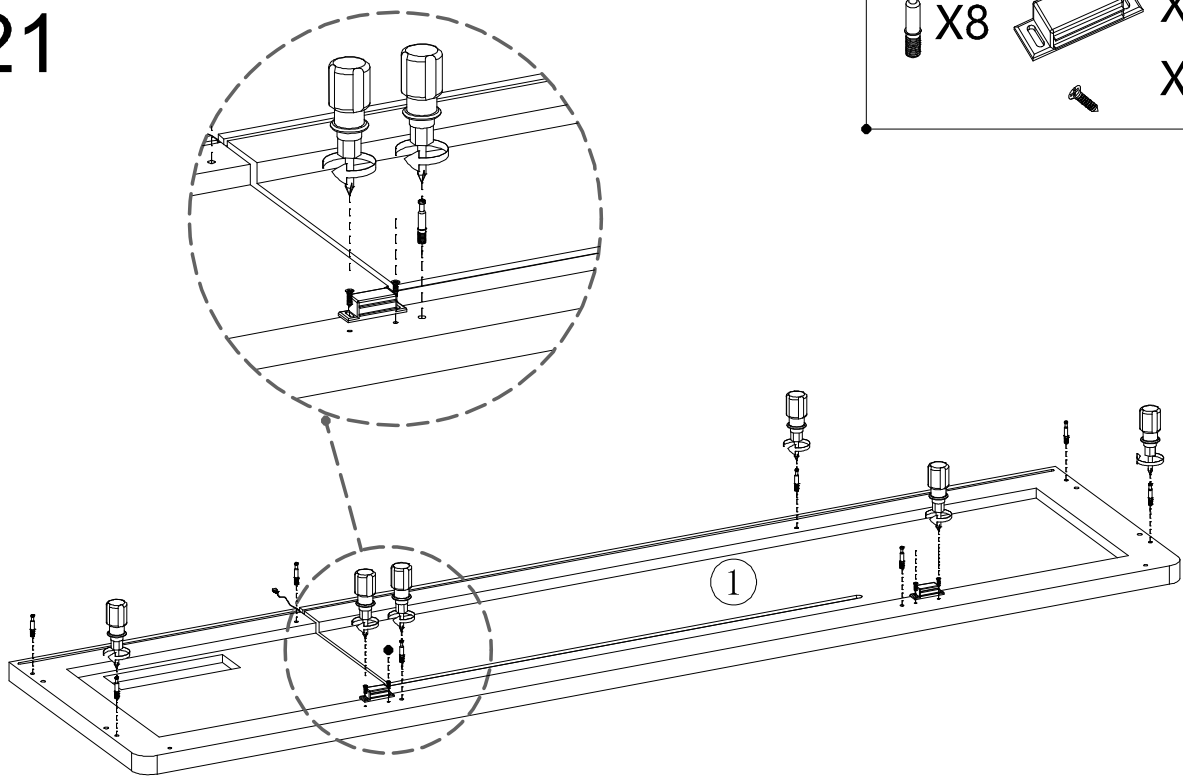
Q



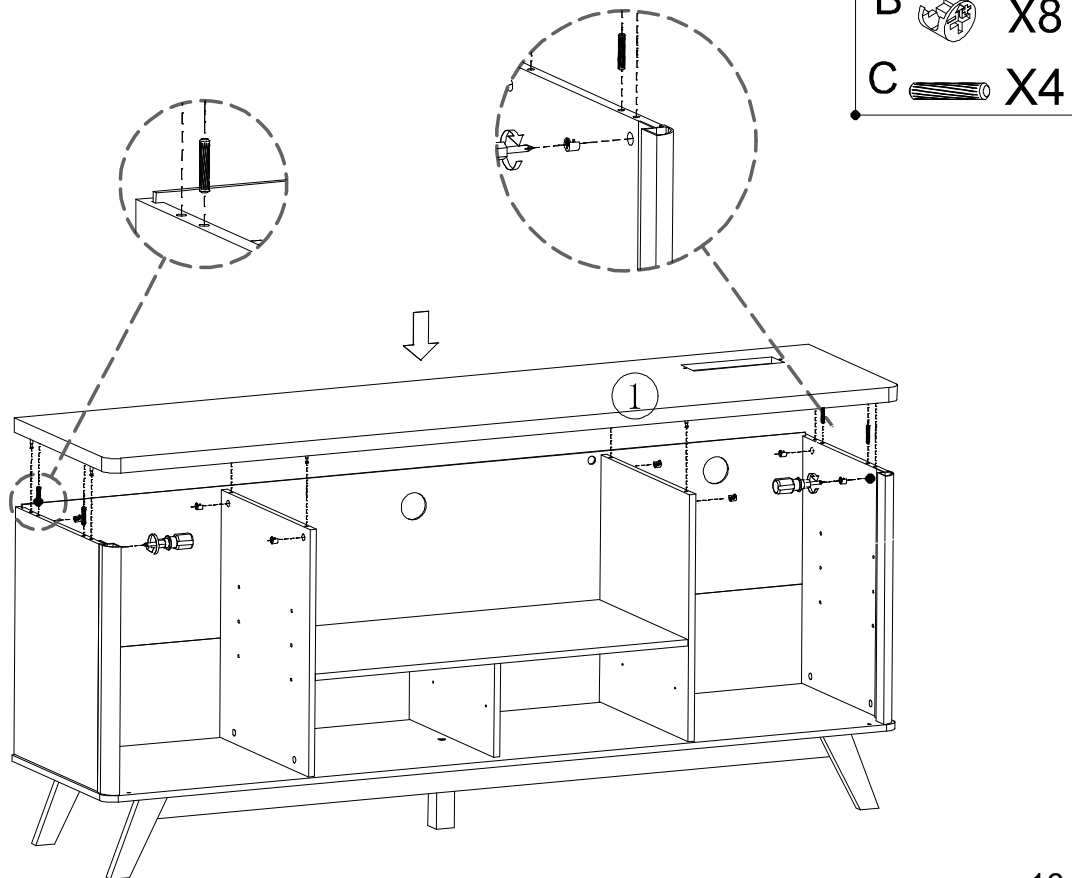
X2



21



22



23

A

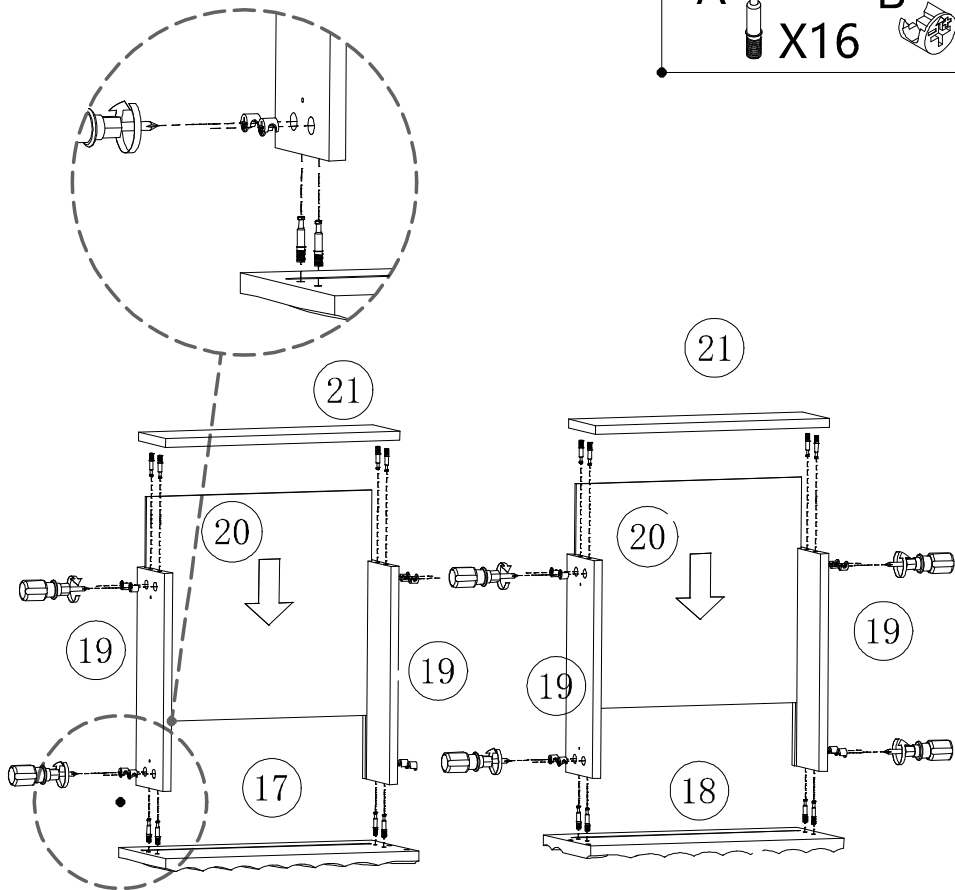


X16

B



X16



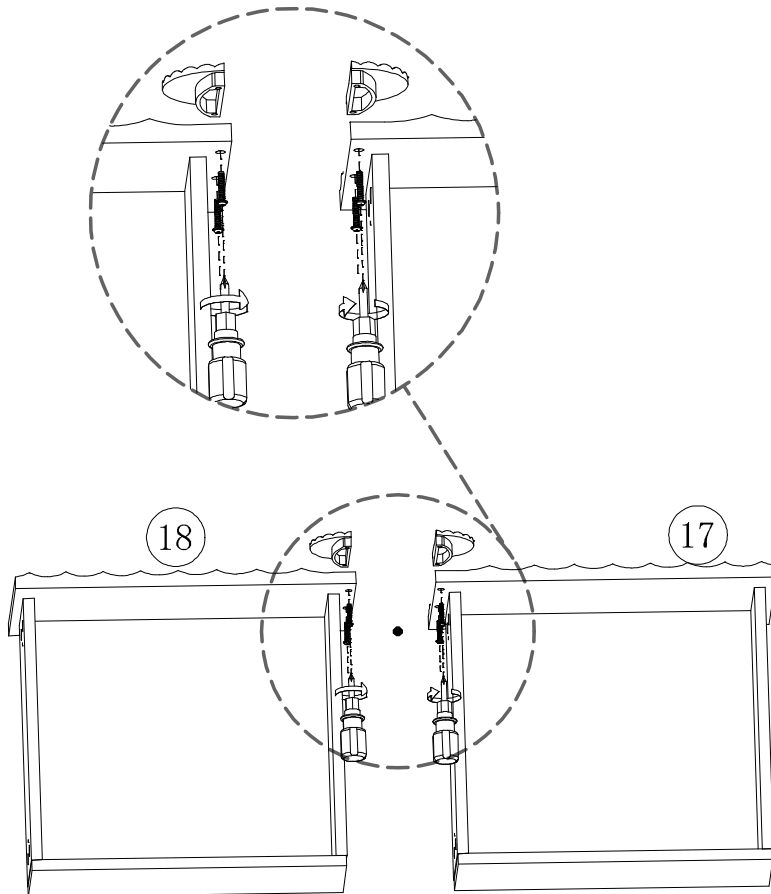
24



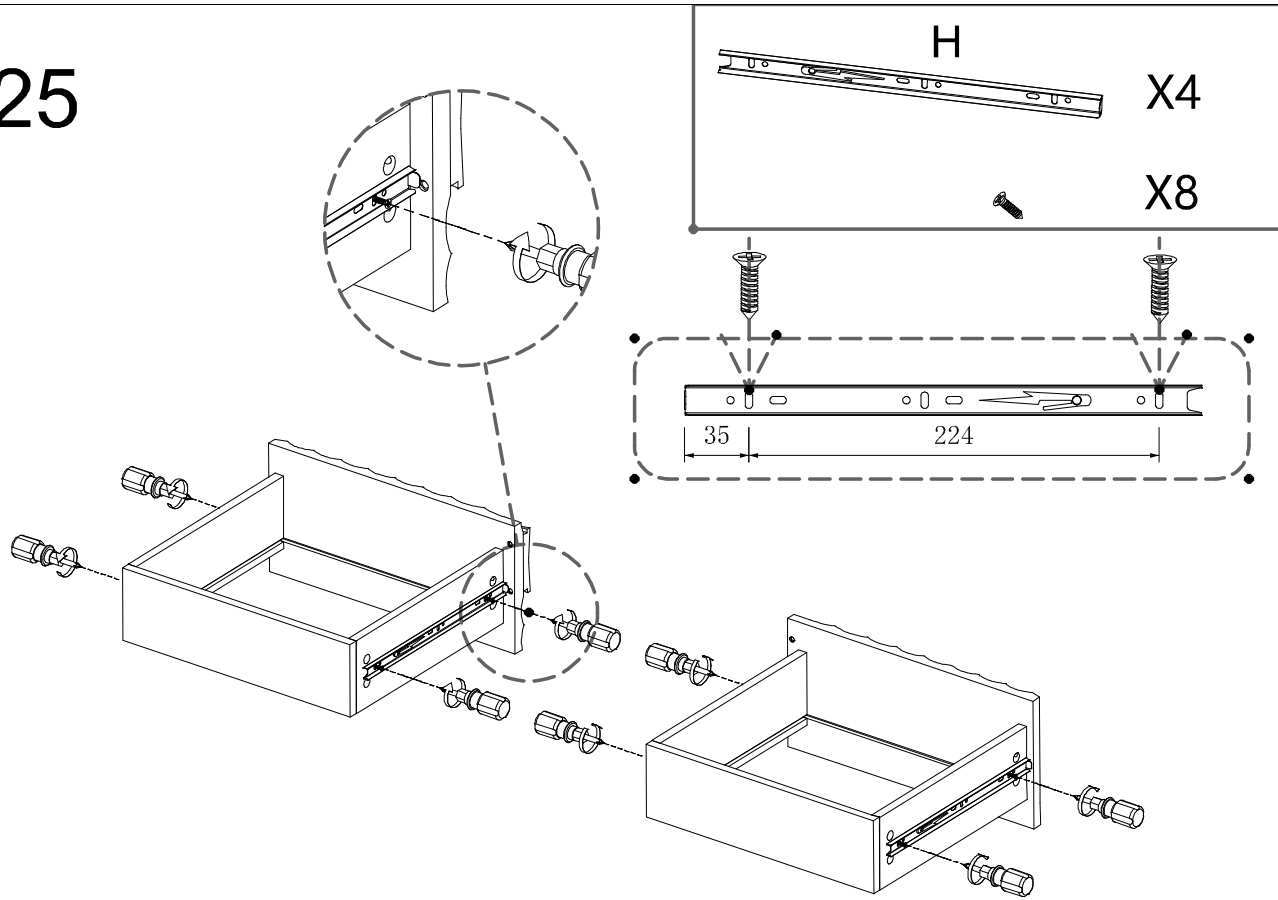
X2



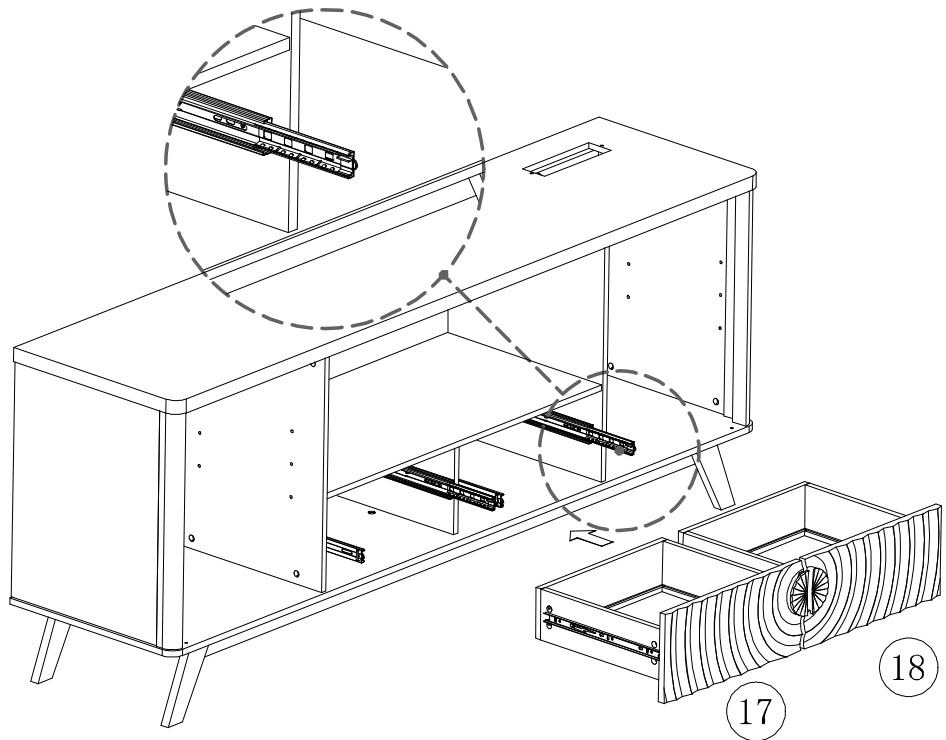
X4



25

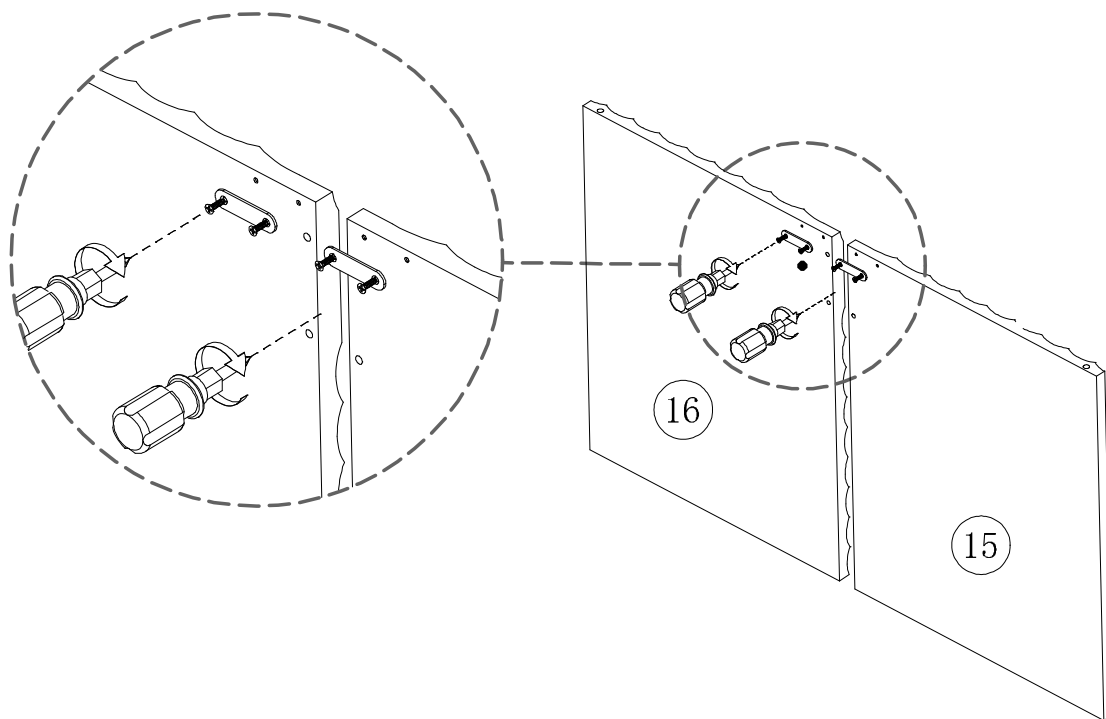


26



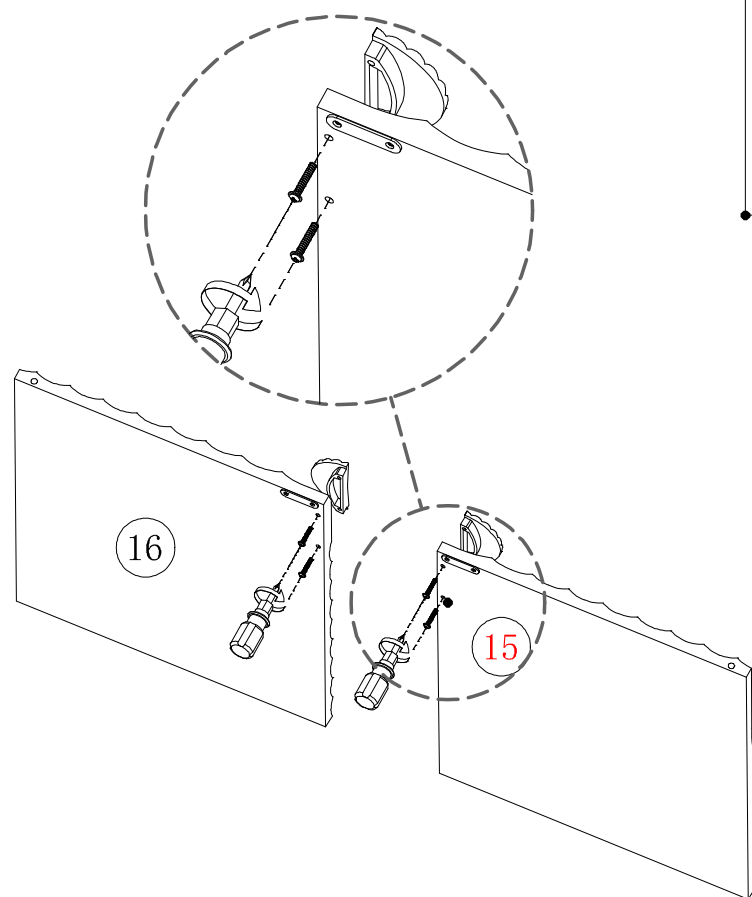
27

F X2    X4



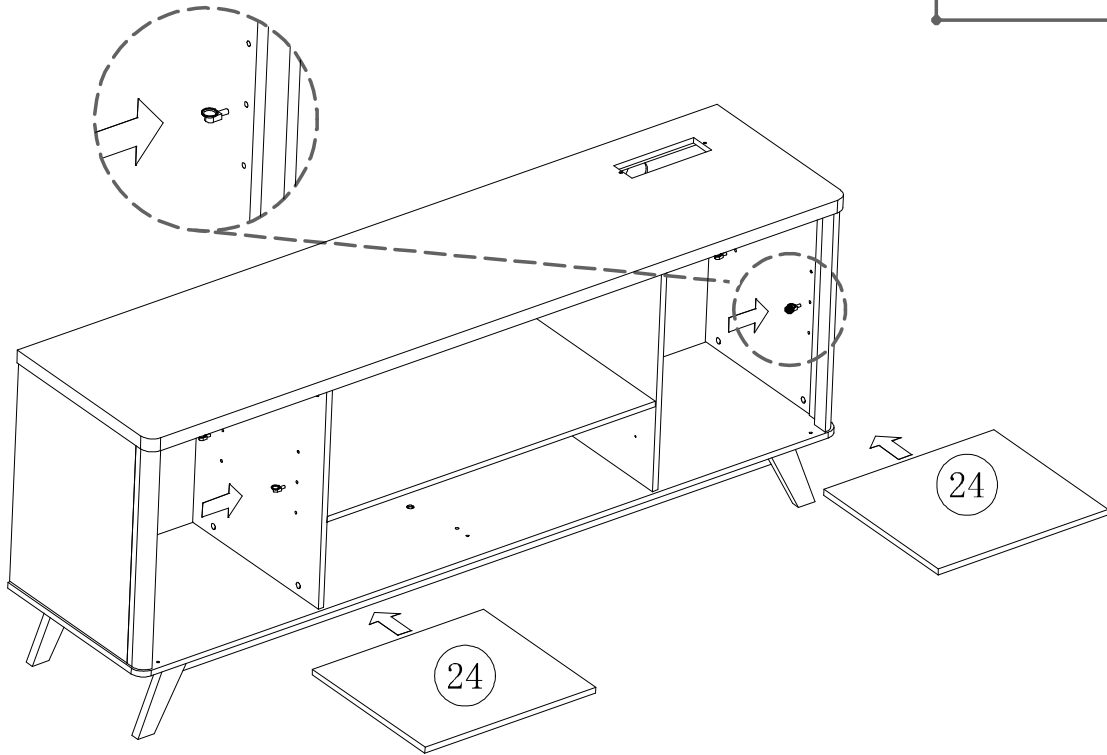
28

D X2  
X4



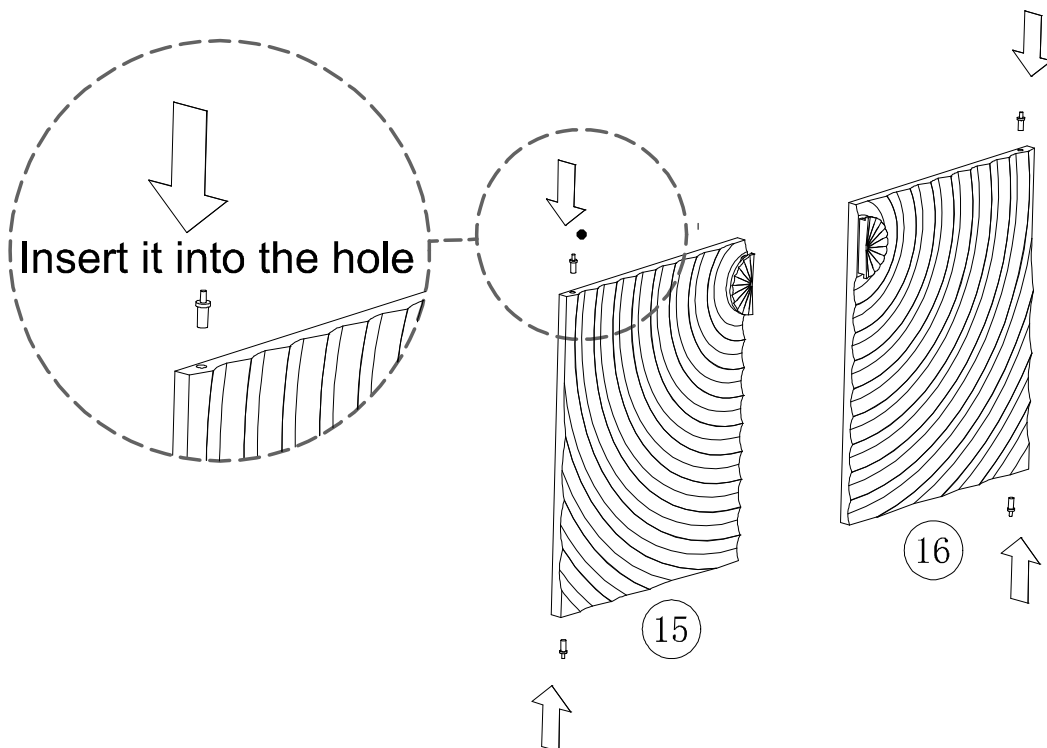
29

G X8



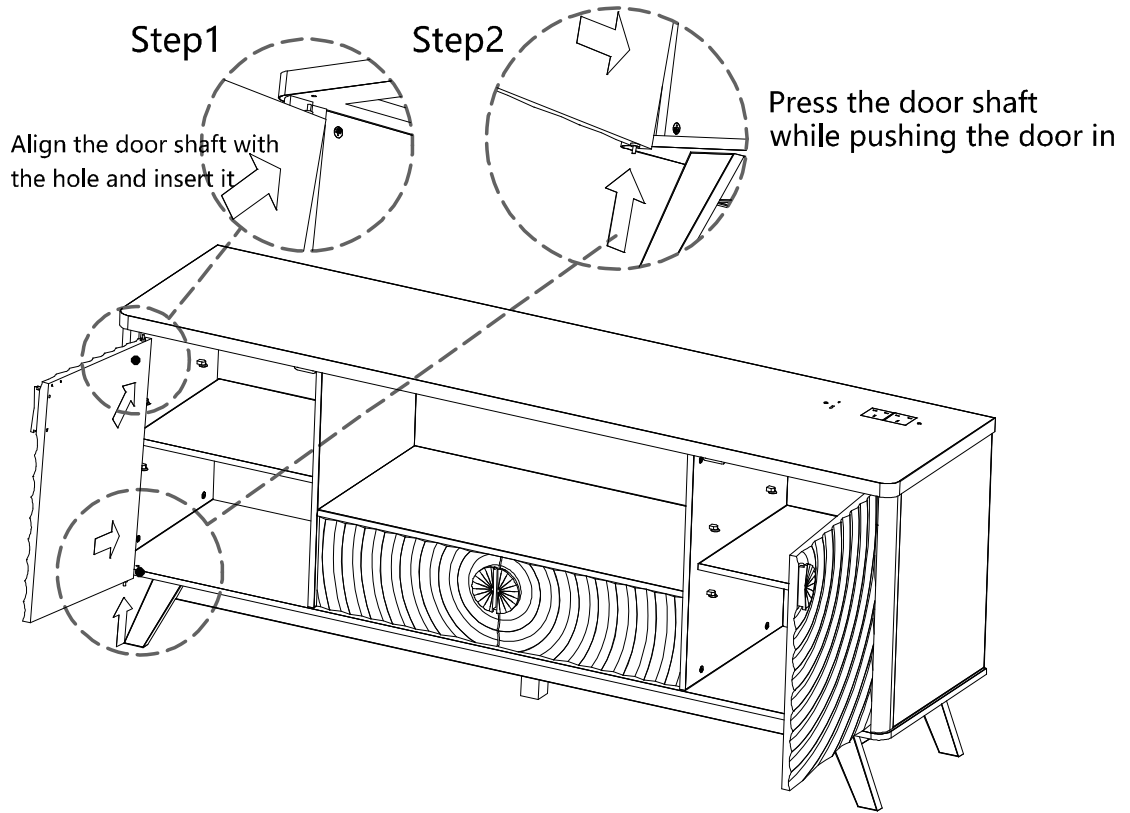
30

N X4

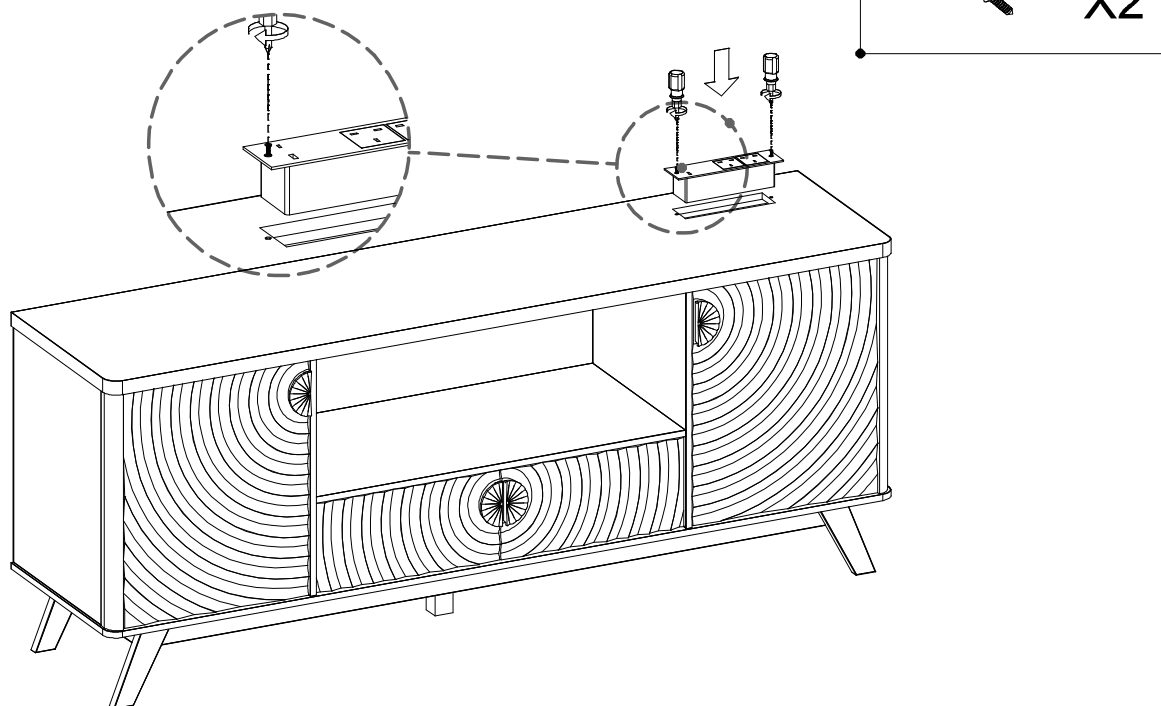


# 31





## Door panel installation schematic steps

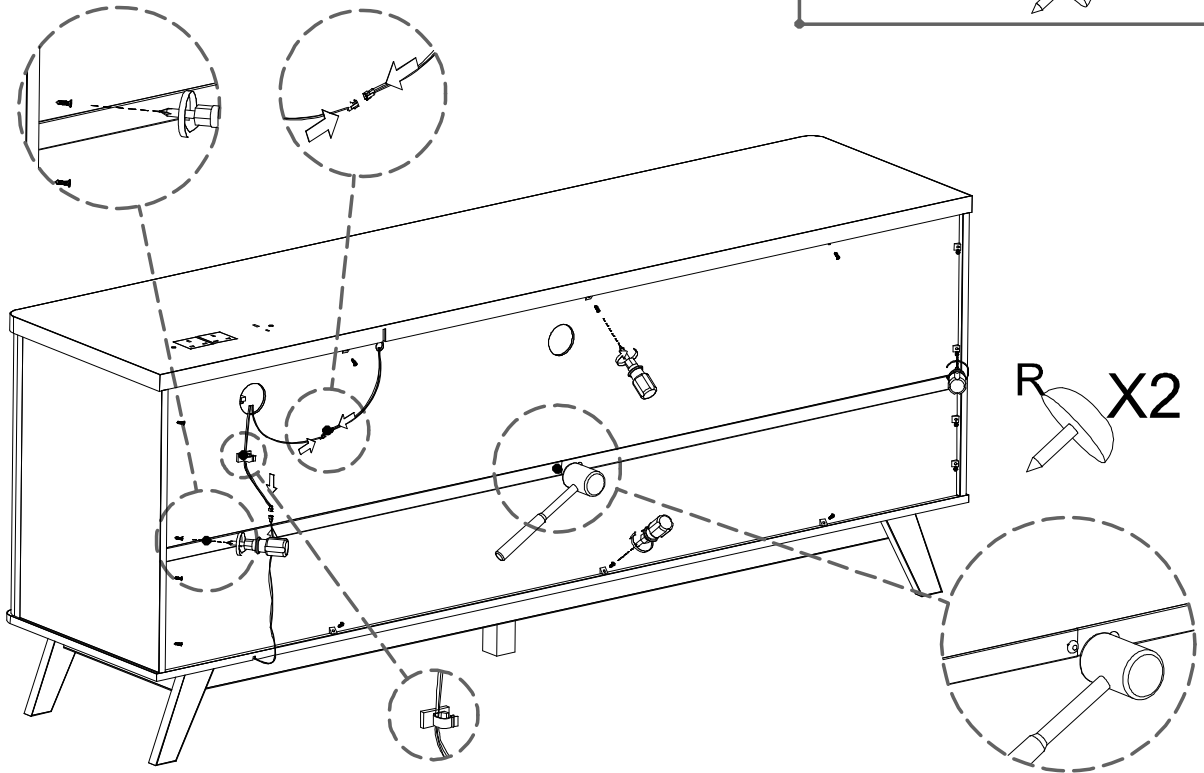


# 32

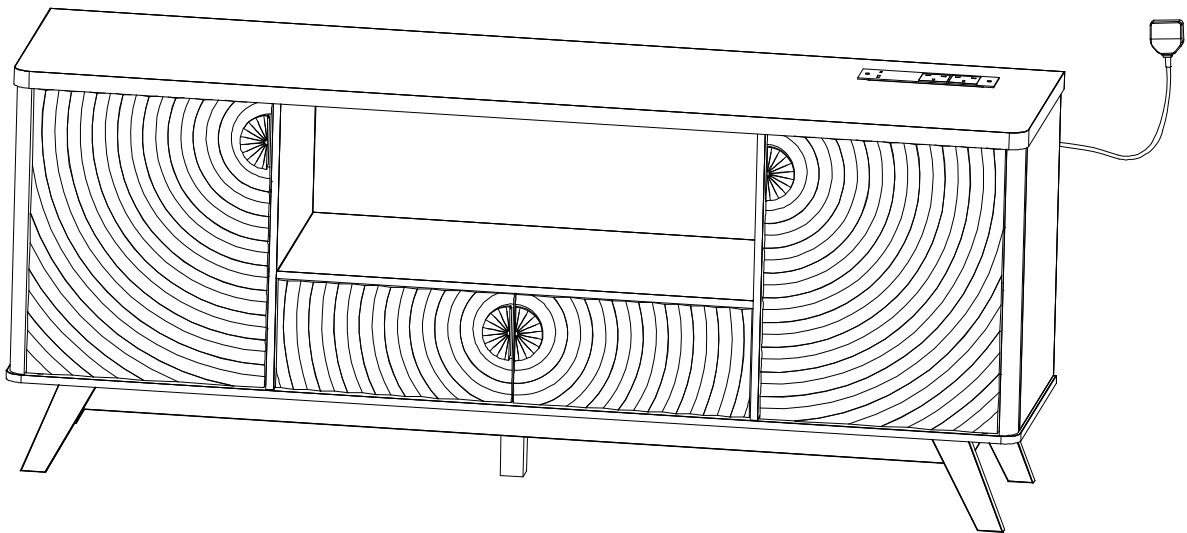


33

- |   |   |     |   |   |    |
|---|---|-----|---|---|----|
| J |  | X16 |  | X16   |    |
| L |  | X2  | R   |  | X2 |



34





## User's Guide

Thank you for purchasing this product.

To use this product, please plug it into a 12V DC power supply.  
Please use if the product works normally after connecting to power.

## Introduction

The box is an intelligent controller. It has 1 USB output port 1 Type-c port and can distribute the current output up to 5V DC-2A. With 2 touch buttons, it can turn ON/OFF the light, change light colors, and adjust the light luminance.

## Operation



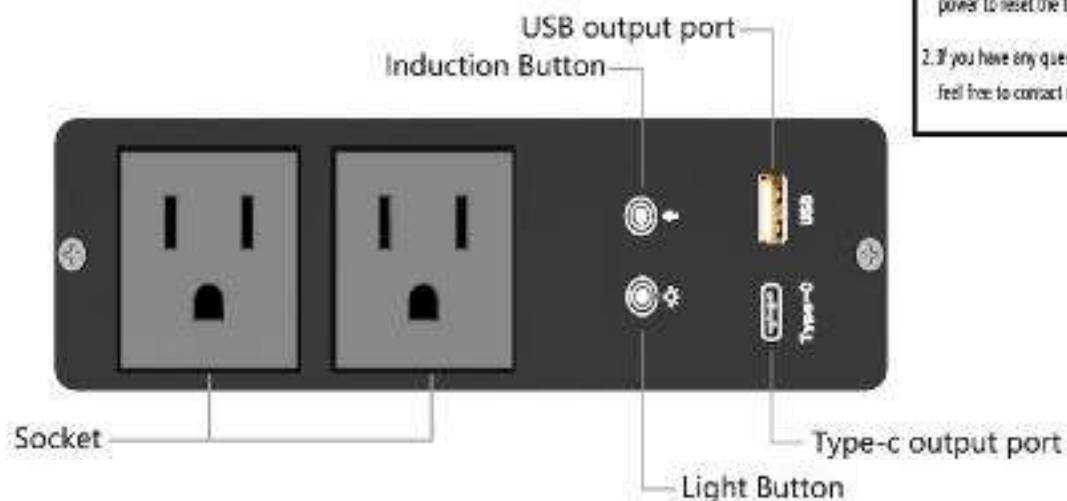
This touch button is used to turn on/off, change colors, and adjust brightness.

- A. Short touch -> lighting on -> short touch -> change light color -> short touch -> change light color -> short touch -> lighting off.
- B. Long touch -> adjust the luminance.



This touch button is used to turn on/off the induction function.

- A. Short touch to turn on the induction function. It can auto-turn on the light when people are close to the controller in 1 meters. It can auto power off the light when the body is far away from the controller after 30 seconds.
- B. Long touch to turn off the induction function.
- C. Note: When you touch the light button to change the light modes, the induction function will automatically turn off. It is best to turn on this function after selecting the light color and adjusting the brightness you want.



### ATTENTION PLEASE

- 1. If there is no touch response suddenly, Re-plug the power to reset the touch static electricity.
- 2. If you have any questions when installing, please feel free to contact us. Thank you.