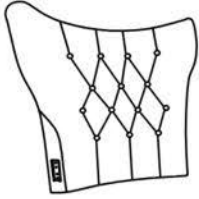
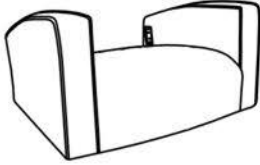


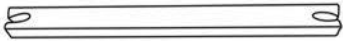





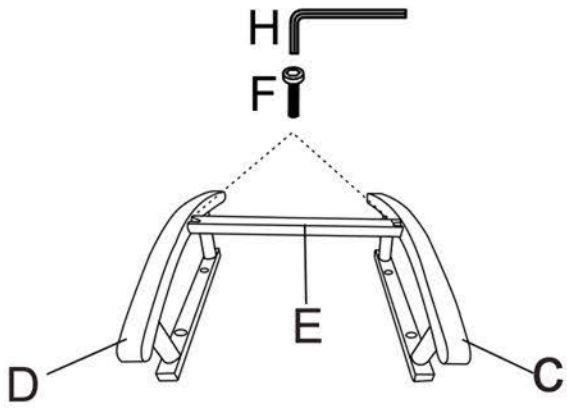
Assembly Instructions

Parts List

Label	Picture	Description	QTY
A		Back Cushion	1
B		Seat	1
C		Right Wooden Leg	1
D		Left Wooden Leg	1
E		Cross Bar	1
F		Screw	6
G		Washer	4
H		Wrench	1

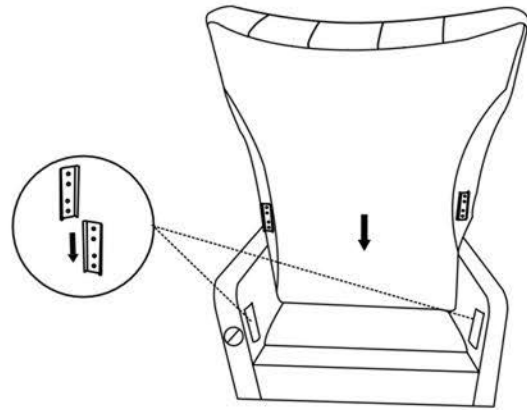
Note:Put all the screws into the hole site, and then tighten them.
Do not tighten one by one

①

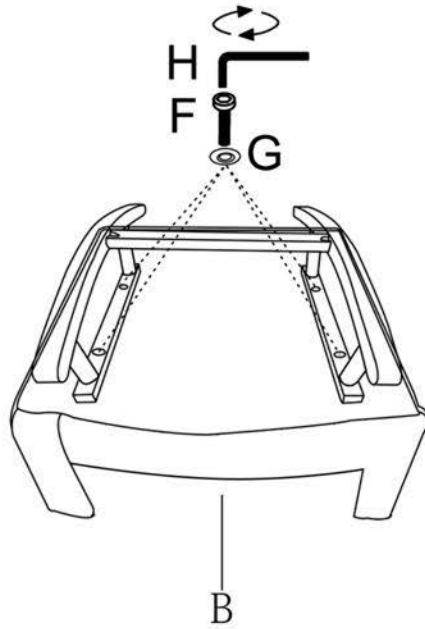


Do not tighten the screws 100% until finished step 3 .

②



③



④

