

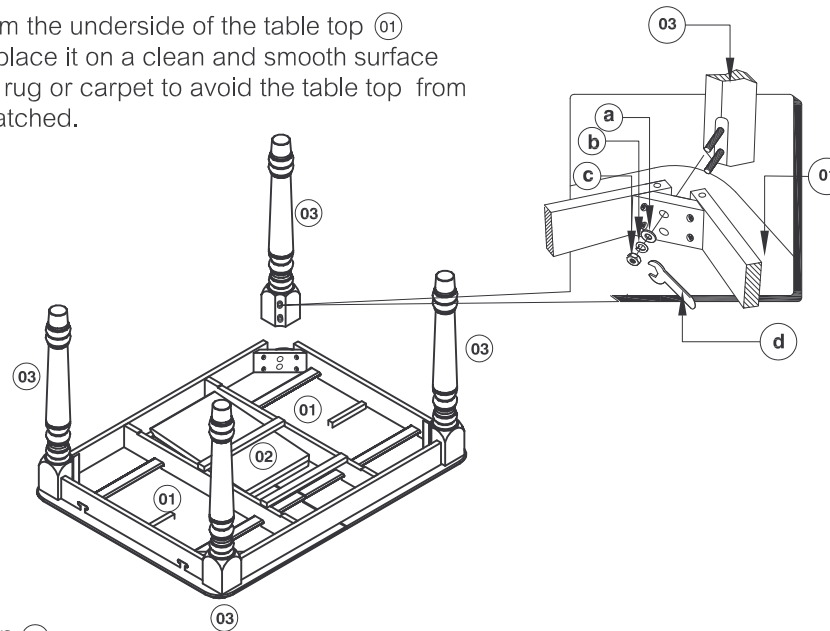
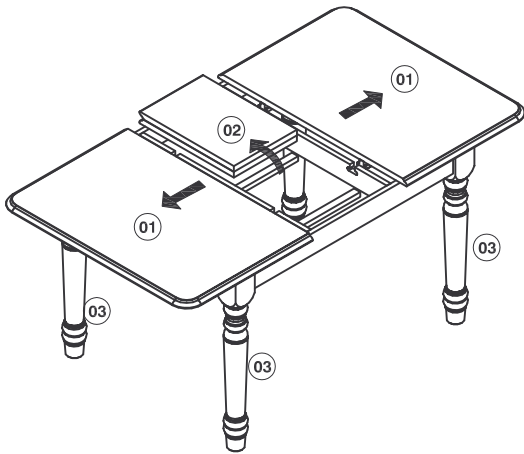
Thank you for purchasing this Quality product.  
It has been engineered for easy assembly yet constructed for durability. Please take the time to read and follow the instruction while assembling.

## ASSEMBLY INSTRUCTIONS

Butterfly Dining Table

36"W x 48"-60"L (12" Leaf) x 29-5/8" H

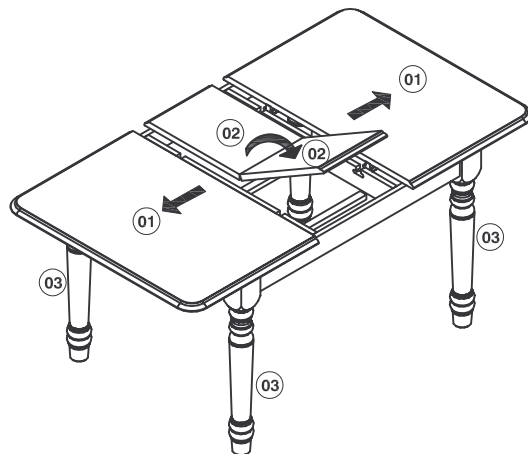
**Step 1** Turn the underside of the table top ① over and place it on a clean and smooth surface such as a rug or carpet to avoid the table top from being scratched.



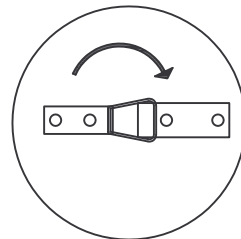
**Step 2** Fix the turned leg ③ to the corner of the apron with the Flat washer (a), Spring washer (b) and Hex nut (c) using the spanner (d) to tighten it

**Step 3** Repeat the same step to the other tree legs,

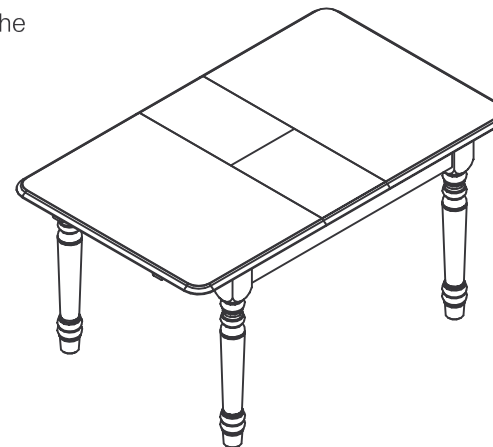
**Step 4** Turn the assembled table over carefully, pull the Table Top ① to both 2 sides then lift up the center leaf ② from the compartment and turn the center leaf ② to open lie on apron



**Step 6** Open the table lock under the table top ① to the center leaf ② and lock it.



**Step 5** Push the side Center Top ① and both end close to the Table leaf ② until it leaves no empty spaces.



### LIST OF PARTS FOR 1 SET

Code	Figure	Description	Qty.
①		TOP TABLE	1 PC.
②		CENTER LEAF	1 PC.
③		LEGS TABLE	4 PCS.

### LIST OF HARDWARES FOR 1 SET

Code	Figure	Description	Qty.
a		FLAT WASHER	8 PCS.
b		SPRING WASHER	8 PCS.
c		Hex NUT	8 PCS.
d		KEY WRENCH	1 PC.

### ⚠ Important Notes

- Keep all parts out of from reach of children.
- Must tighten screws periodically, with use screws will become loose. Check tightness of all screws every 6-8 weeks.
- Do not attempt to repair or modify parts that are broken or defective. Please contact the store immediately
- Do not tighten all screw / bolt until all completely assembled.