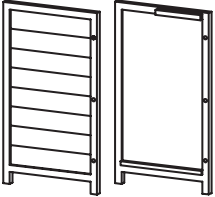
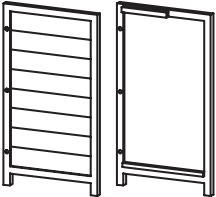
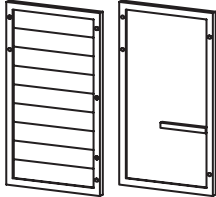
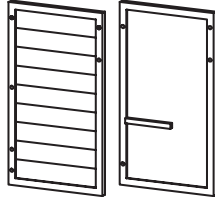

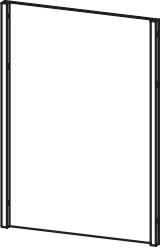
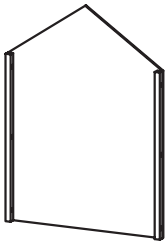
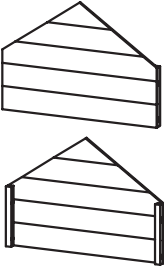


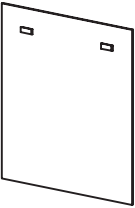
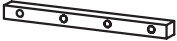




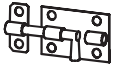







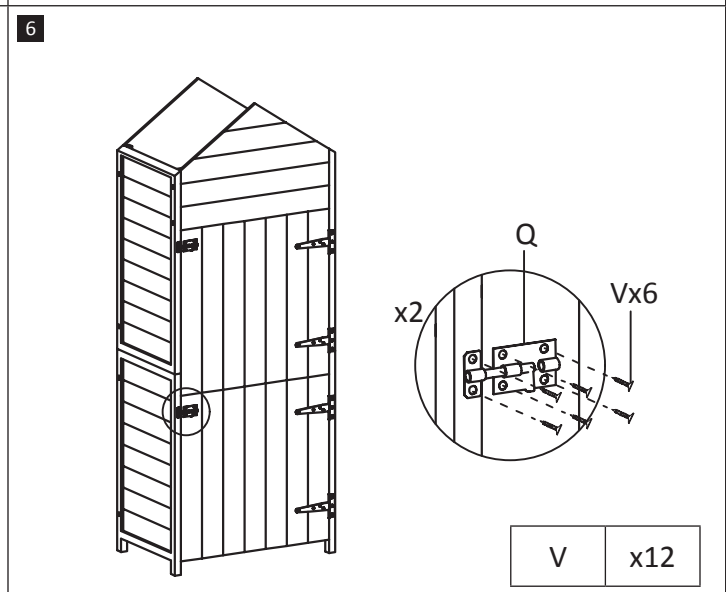
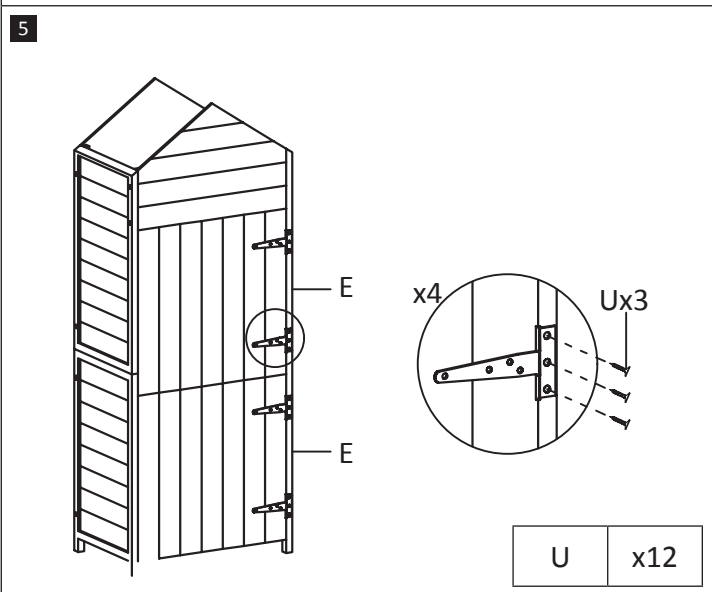
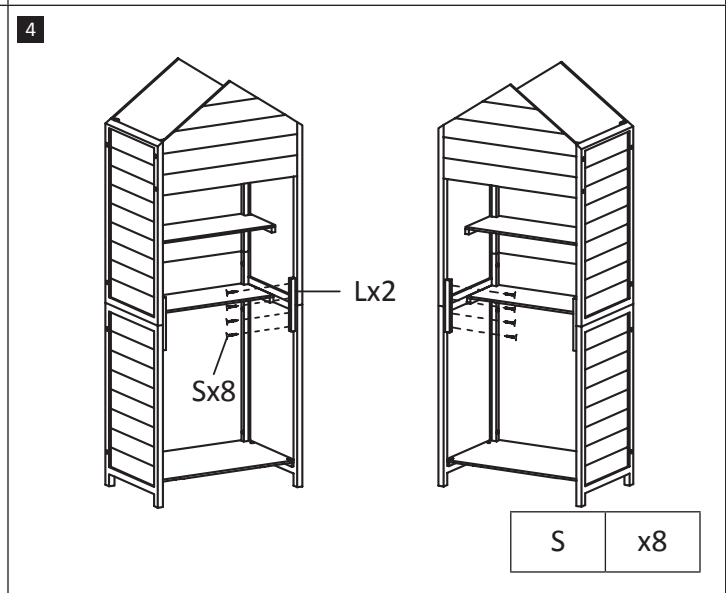
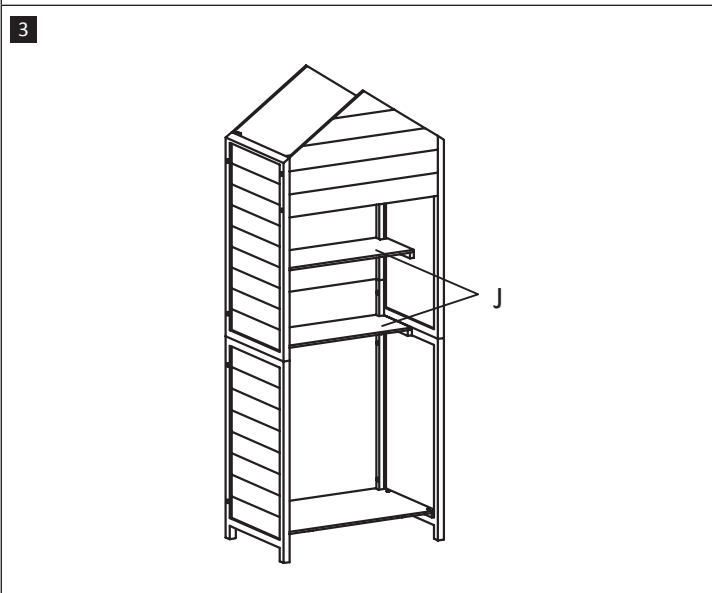
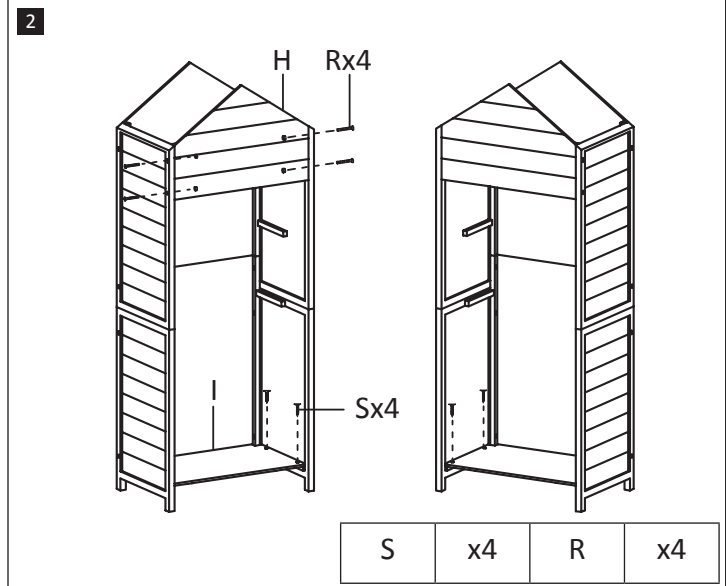
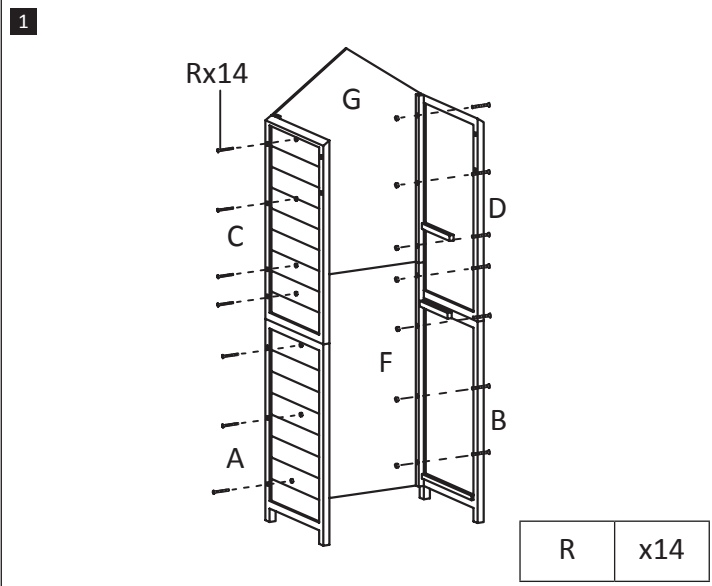
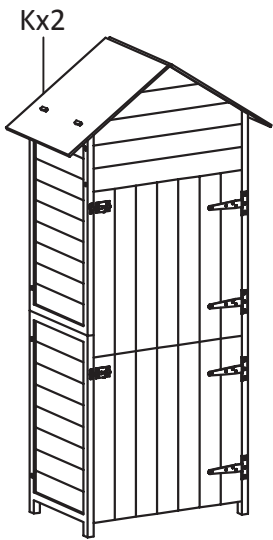


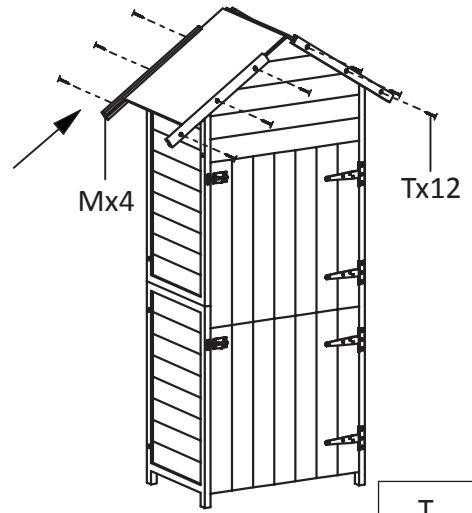
<p>Ax1</p> 	<p>Bx1</p> 	<p>Cx1</p> 	<p>Dx1</p> 	<p>Ex2</p> 
<p>Fx1</p> 	<p>Gx1</p> 	<p>Hx1</p> 	<p>Ix1</p> 	<p>Jx2</p> 
<p>Kx2</p> 	<p>Lx2</p> 	<p>Mx4</p> 	<p>Nx1</p> 	<p>Ox1</p> 
<p>Px2</p> 	<p>Qx2</p> 	<p>Rx18</p>  <p>M4x $\frac{55}{2.2}$</p>	<p>Sx16</p>  <p>M3x $\frac{25}{1.0}$</p>	<p>Tx20</p>  <p>M2.5x $\frac{18}{0.7}$</p>
<p>Ux12</p>  <p>M2.5x $\frac{15}{0.6}$</p>	<p>Vx12</p>  <p>M2x $\frac{10}{0.4}$</p>		 <p>mm inch x2</p>	



7

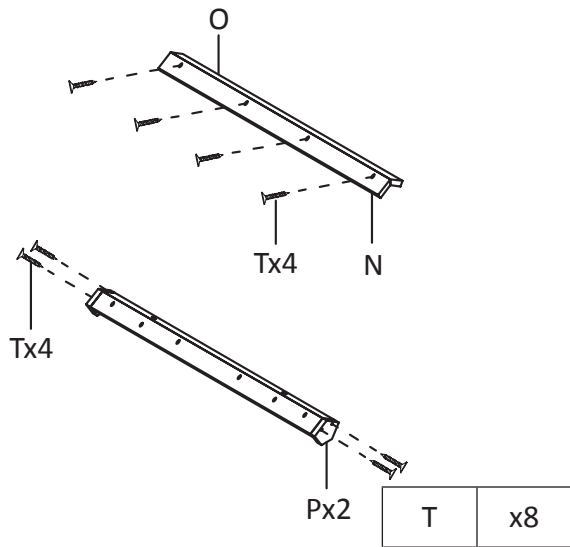


8



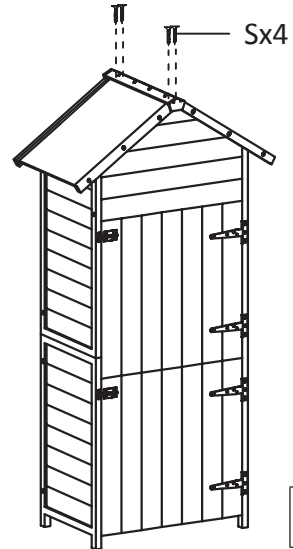
T	x12
---	-----

9



T	x8
---	----

10



S	x4
---	----

11

