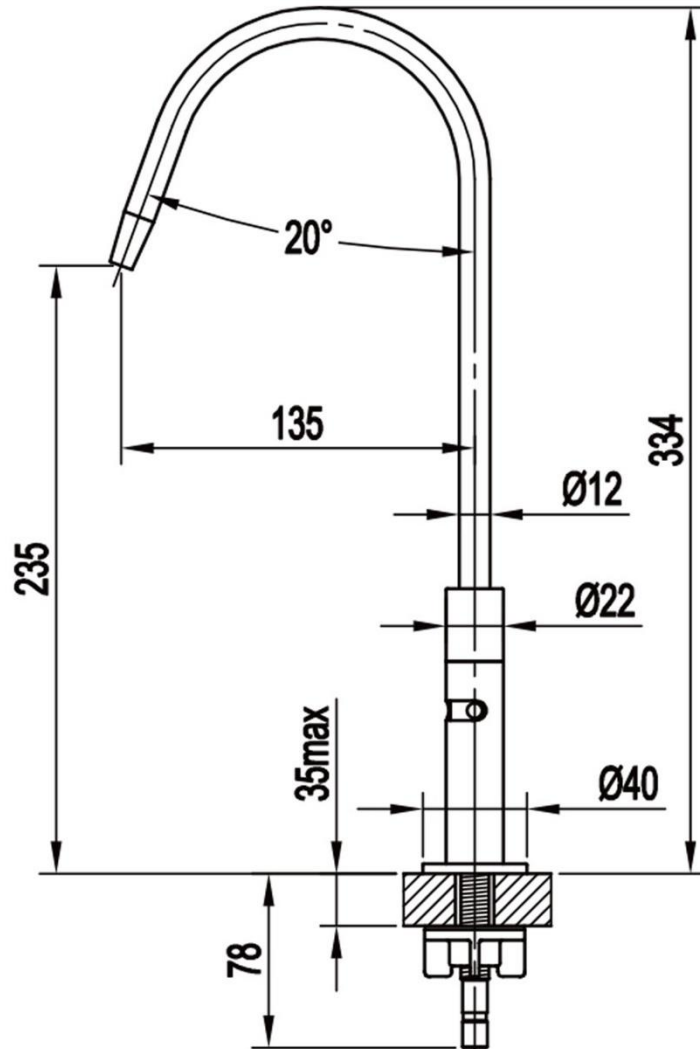
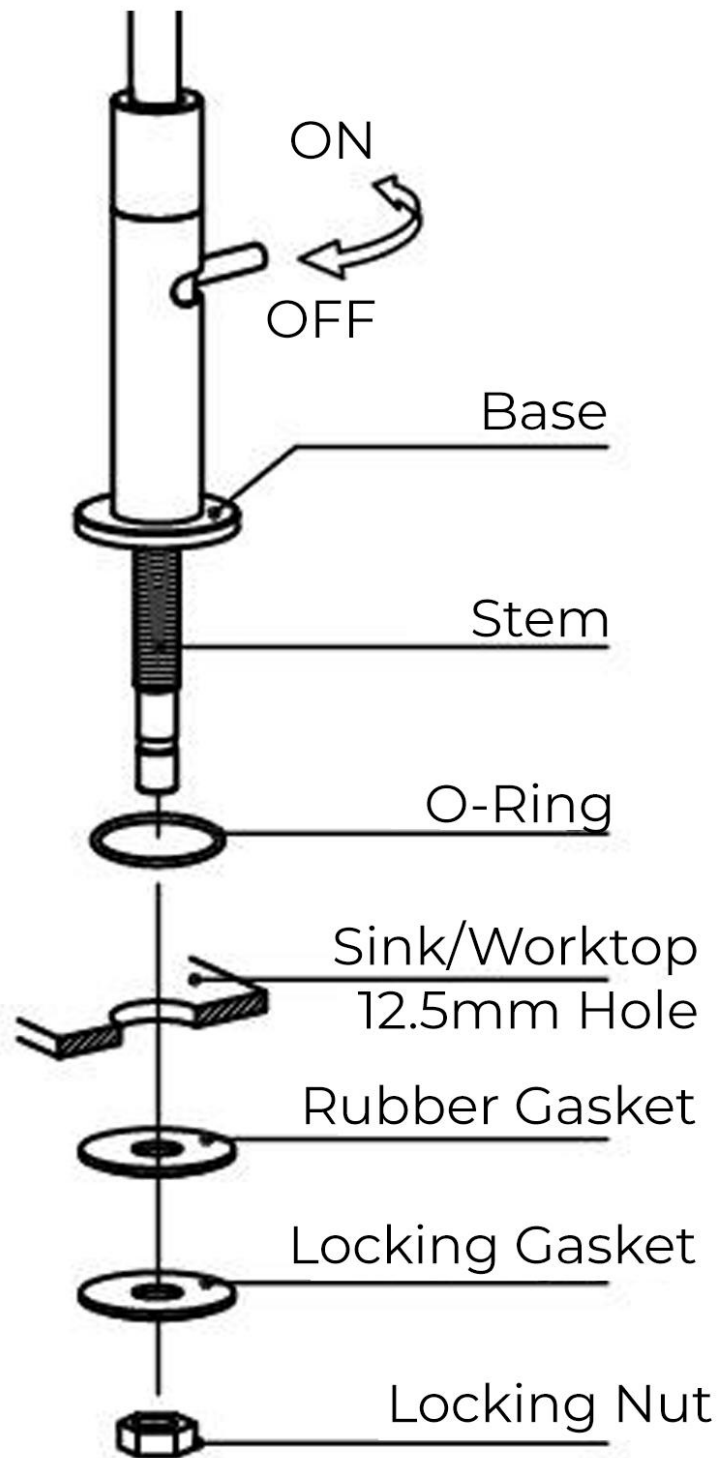




Do you already have a water filtration system with a separate tap? Or a softener with a separate tap for the hard water? The Hommix Vasto and Cento are here to add that elegance and modern look to your kitchen with its beautiful finish and unique left to right activating lever.







### **Taking care of your tap**

Your Hommix Vasto Tap requires minimal care and maintenance but here are a few tips:

#### **DON'Ts**

DON'T use cleaning products, chemicals or any other types of substances to clean the tap

DON'T use organic solvents or acidic cleaners, lime-scale removers, household vinegar or cleaners containing acetic acid for cleaning

DON'T use any sort of brushes or abrasive sponges and scrubs

#### **DOs**

DO dry the tap after washing up with a dry soft cloth (we advise this for cleaning your sink too)

DO use a soft damp cloth followed by a dry soft cloth to clean if the tap requires cleaning

That's all! We did say minimal care and maintenance. If you have any questions or need help with installation, please do not hesitate to contact us.

Live Chat - <https://www.hommix.co.uk>

Call us - 0330 113 9292

Email us - [info@hommix.co.uk](mailto:info@hommix.co.uk)