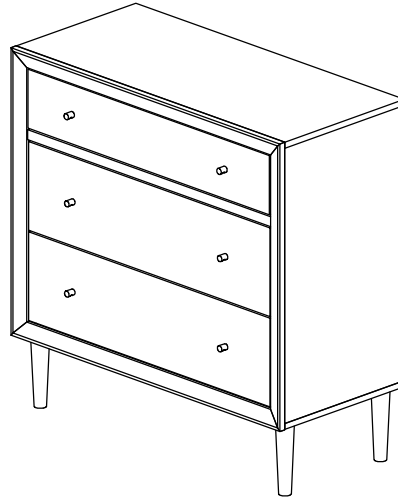
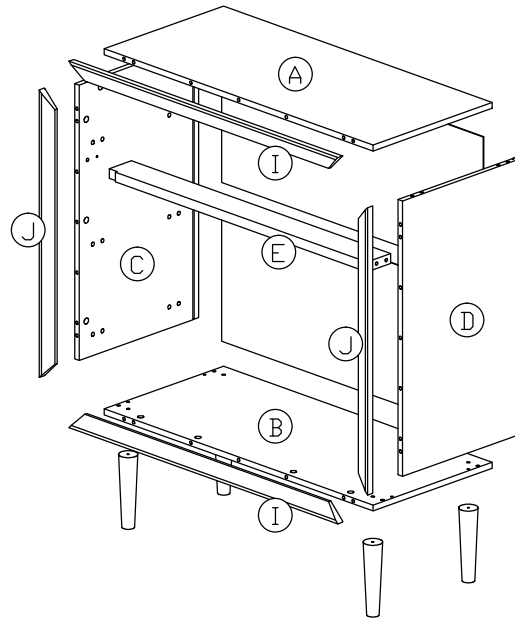
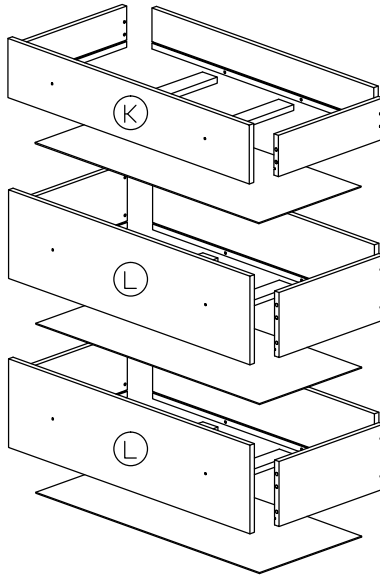


Assembly Instruction



Part List

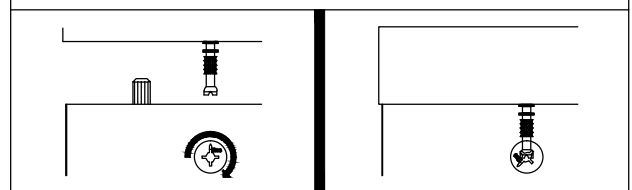


Hardware List

No.	SHAPE	DESCRIPTION	Qty.
1		8x25mm Wood Dowel	34Pcs
2		15MM Titus Mini Fix	32Sets
3		M5x8mm Screw (Euro Screw)	12Pcs
4		M3.5x15mm Screw	36Pcs
5		M4x38mm Screw	18Pcs
6		M5x38mm Screw	4Pcs
7		M6x40mm Screw	4Pcs
8		L Key	1Pc
9		15mm Minifix Cap	6Pcs
10		Wooden Leg (Ø46x185mm)	4Pcs

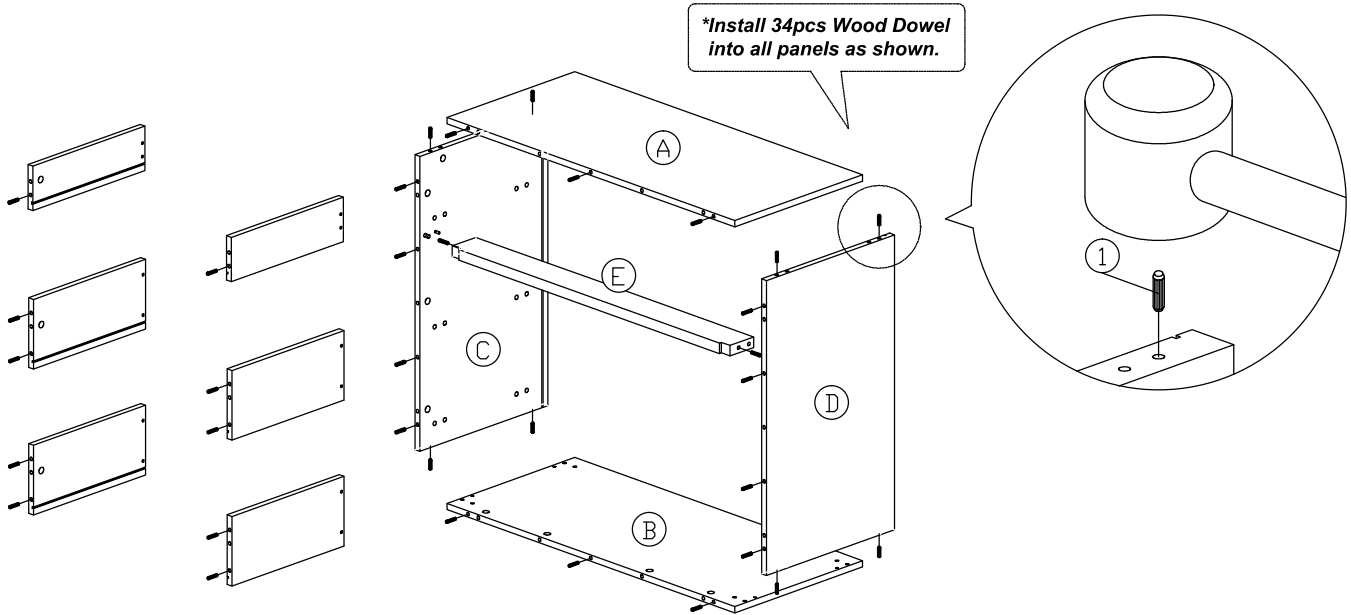
11		Drawer Slide = 350mm	3Sets
12		Wood Handle Ø15x20 M4x25mm (Handle Screw)	6Sets
13		PVC Drawer Pin	12Pcs

Dowel / Cam - Lock Installation

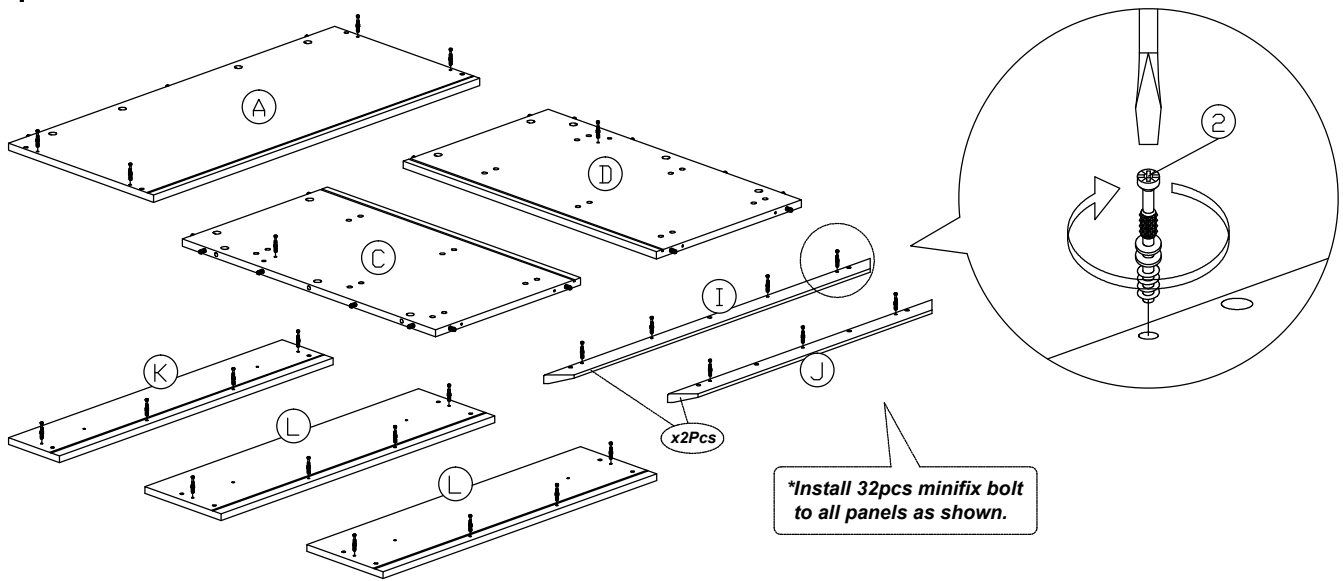


Assembly Instruction

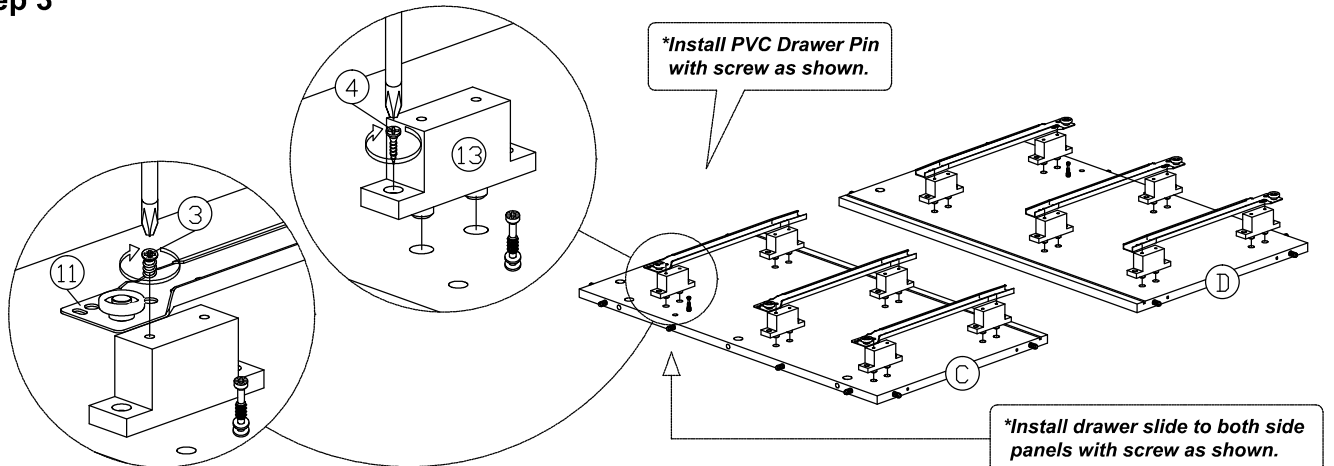
Step 1



Step 2

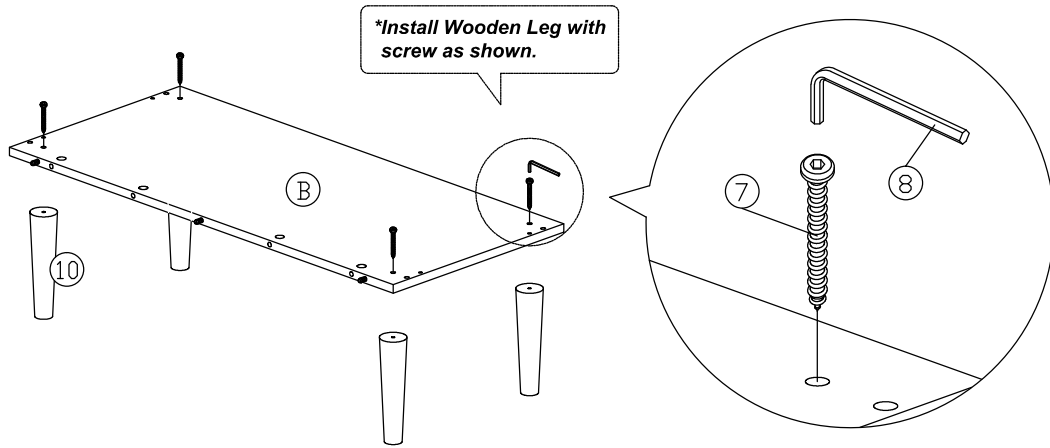


Step 3

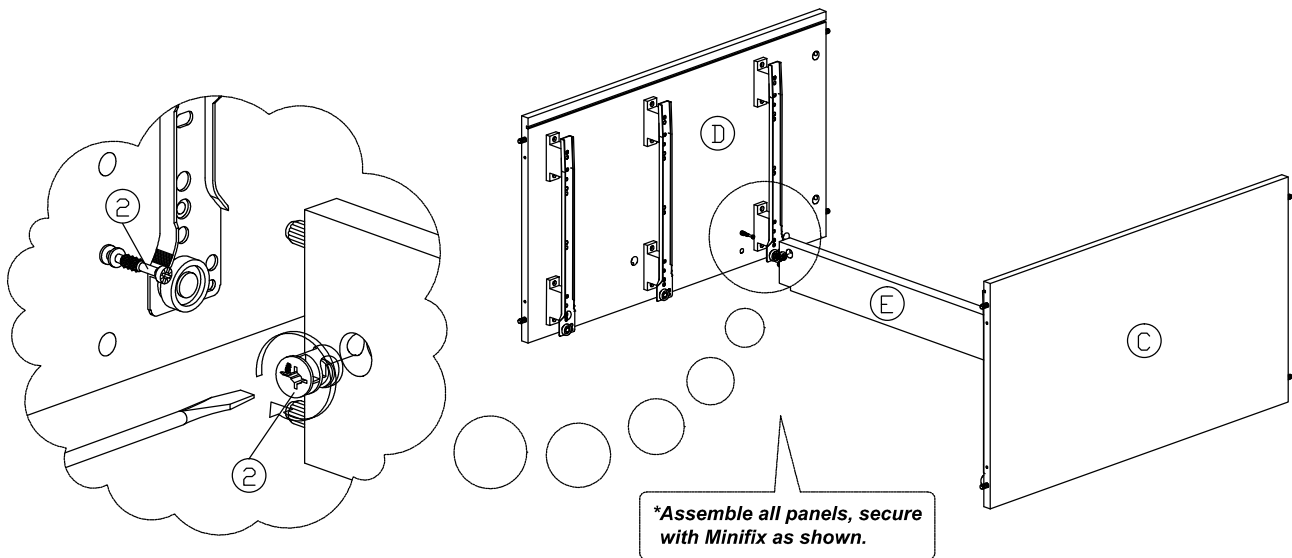


Assembly Instruction

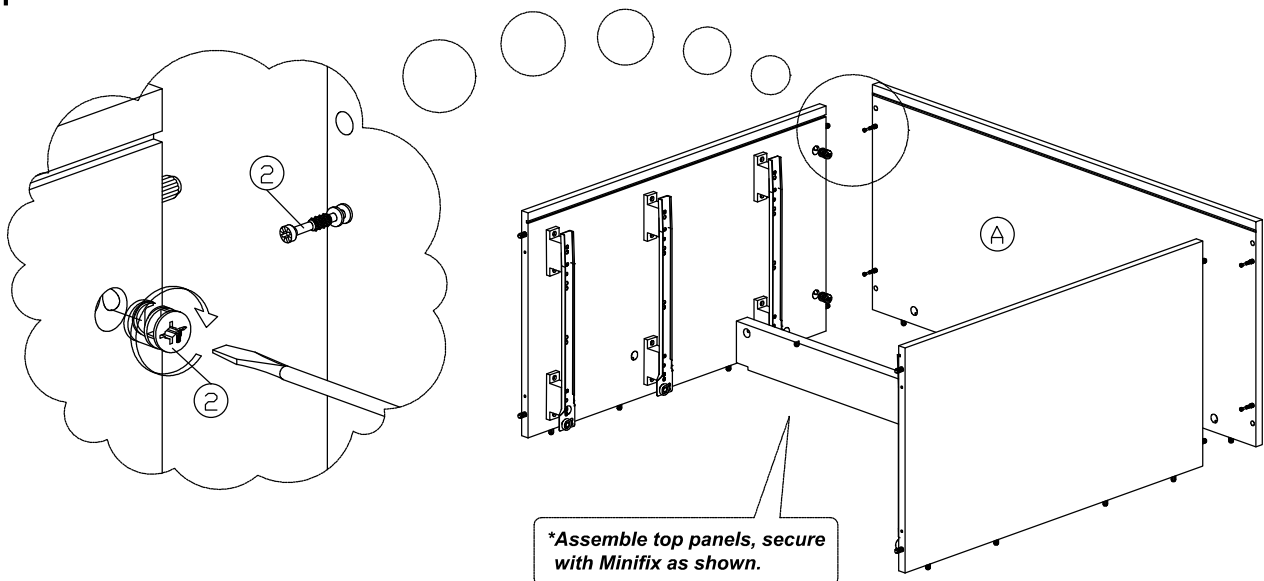
Step 4



Step 5



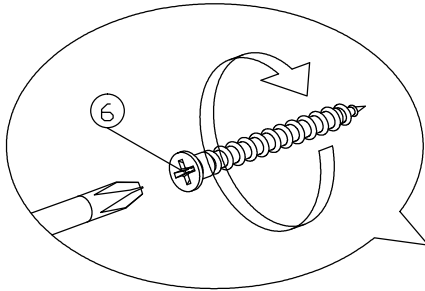
Step 6



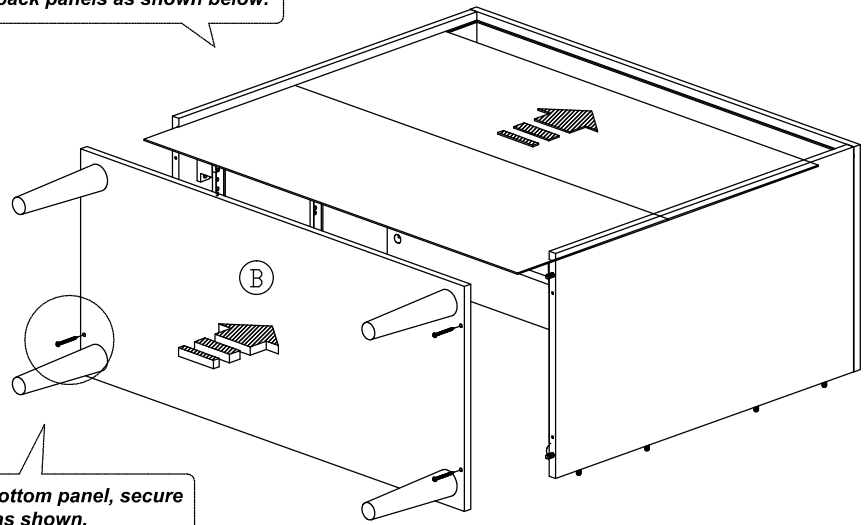
Assembly Instruction

Step 7

**Insert back panels as shown below.*

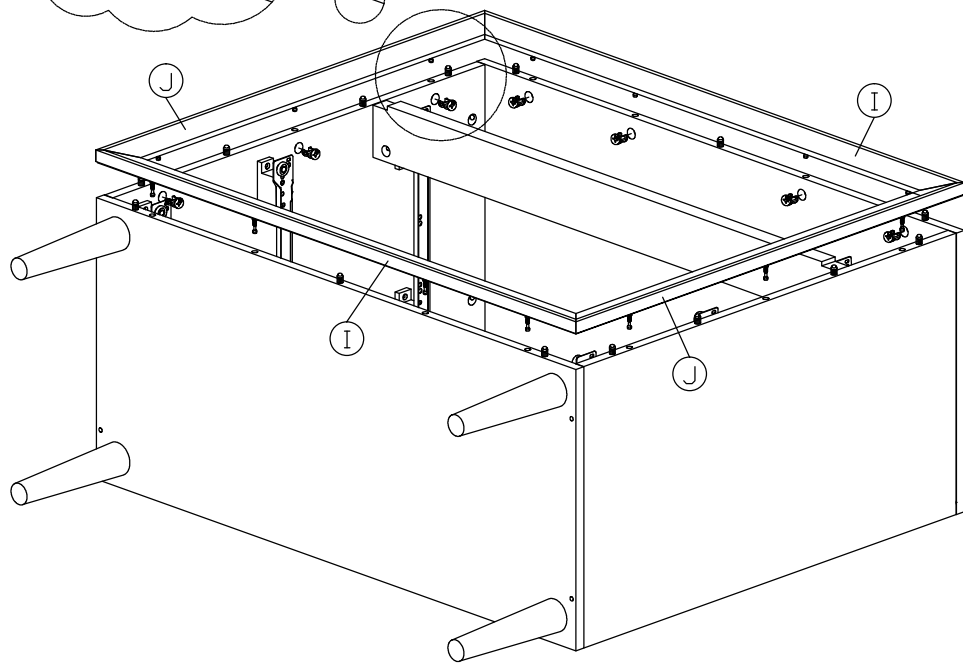
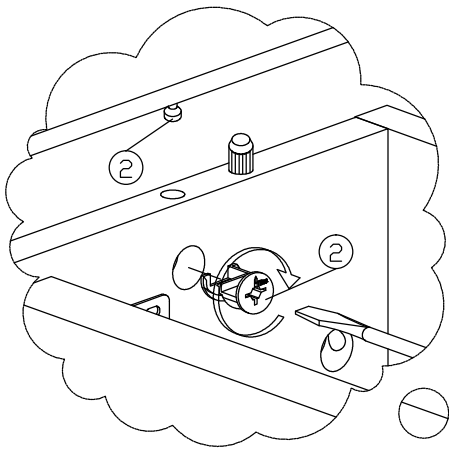


**Assemble bottom panel, secure with screw as shown.*



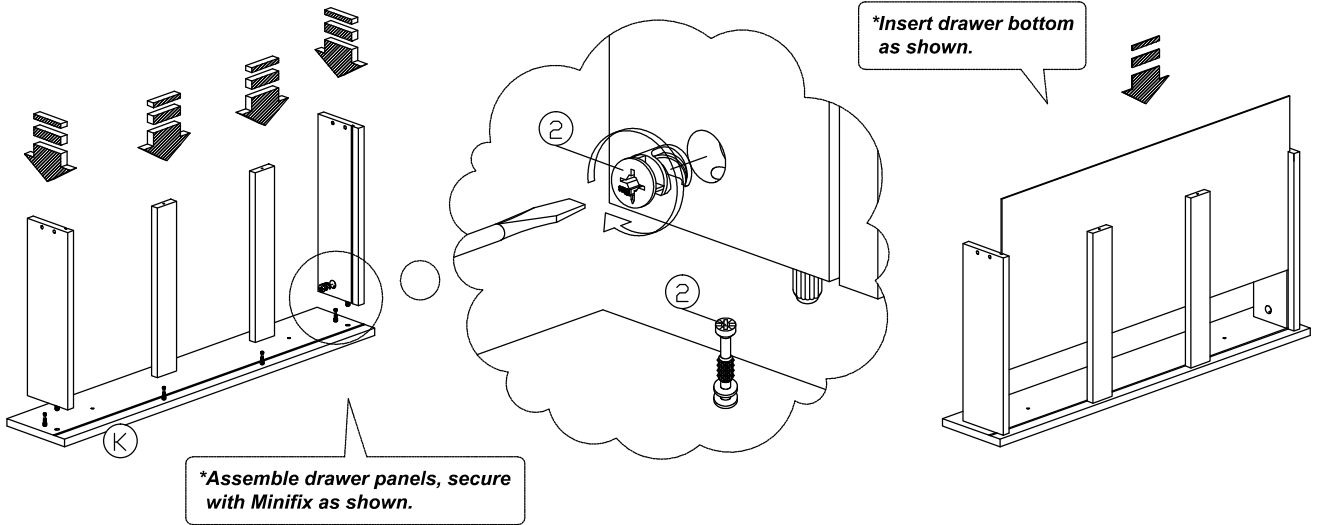
Step 8

**Assemble all panels, secure with Minifix as shown.*

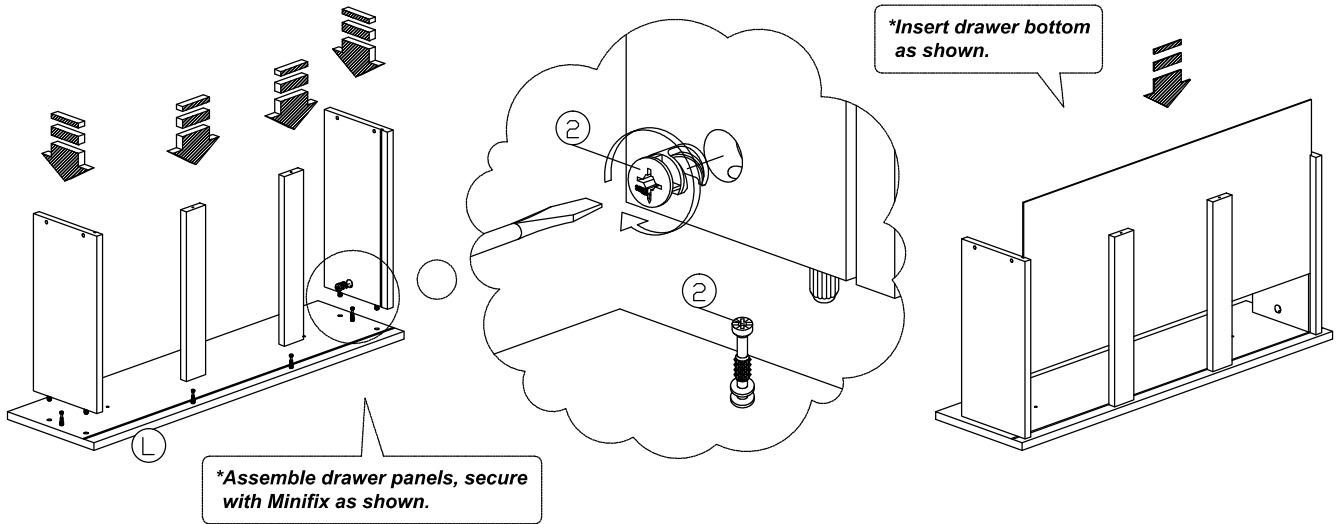


Assembly Instruction

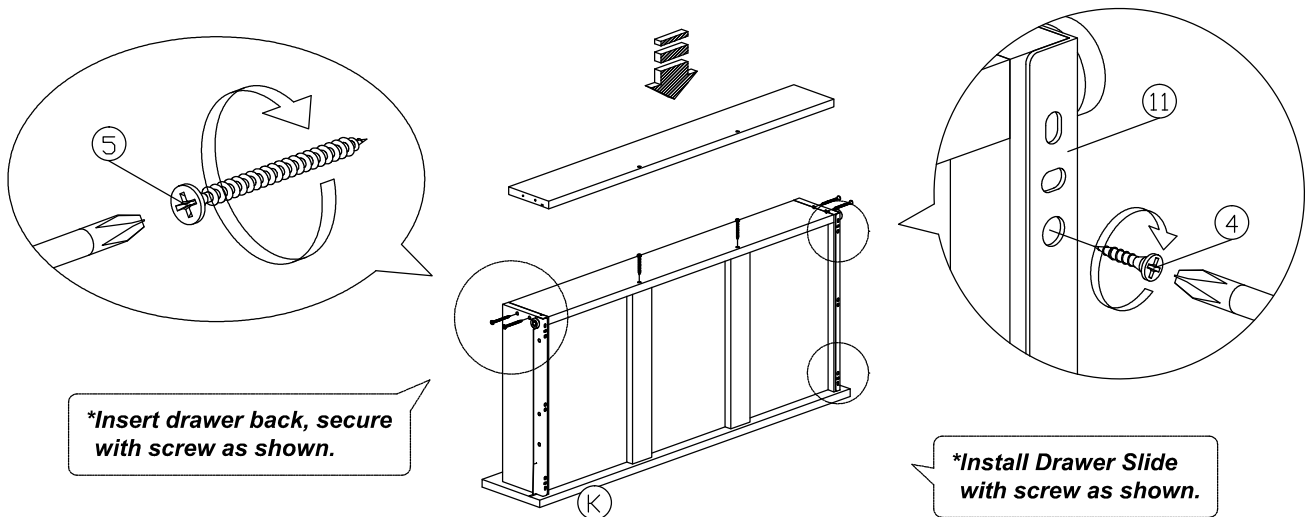
Step 9



Step 10

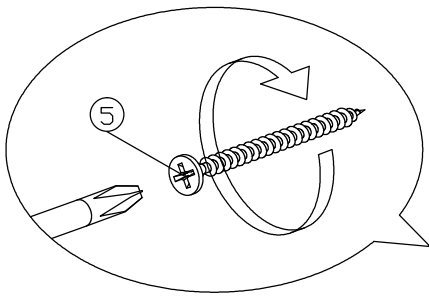


Step 11

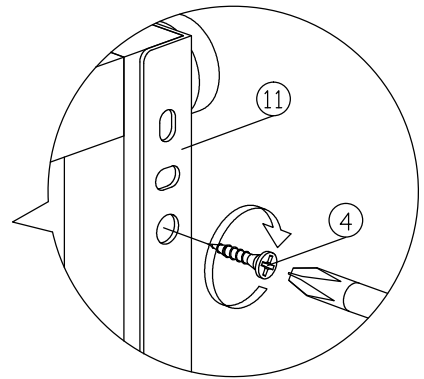
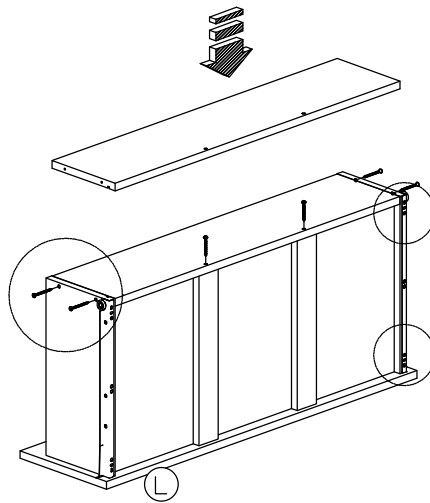


Assembly Instruction

Step 12

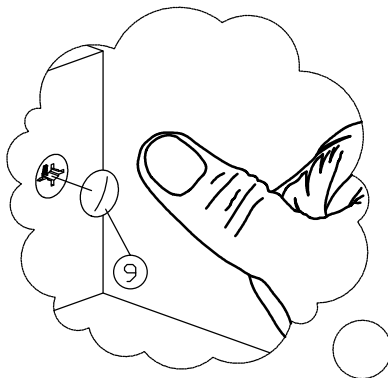


**Insert drawer back, secure with screw as shown.*

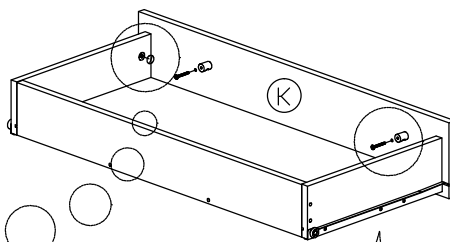


**Install Drawer Slide with screw as shown.*

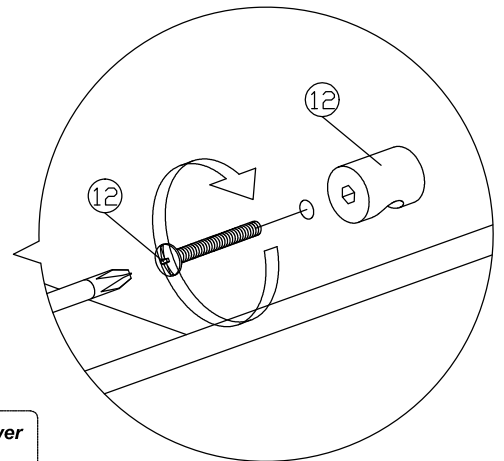
Step 13



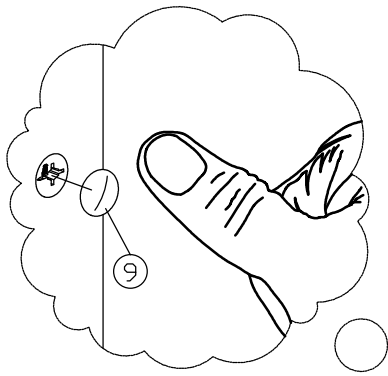
**Attach Minifix Cap to both drawer side panels as shown.*



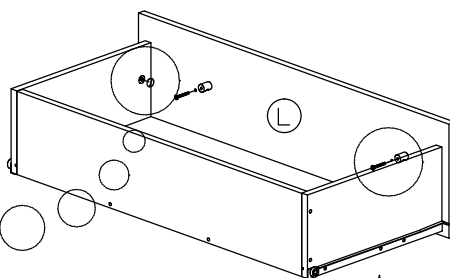
**Install Handle to drawer with screw as shown.*



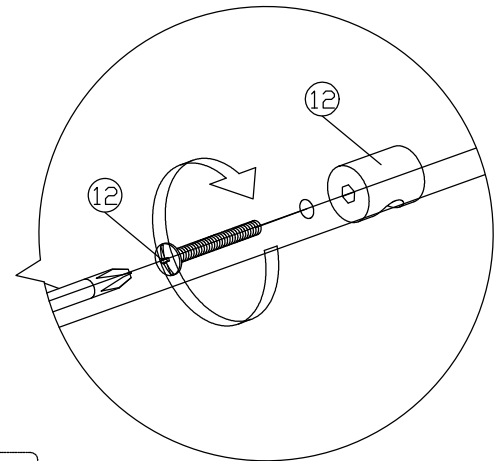
Step 14



**Attach Minifix Cap to both drawer side panels as shown.*



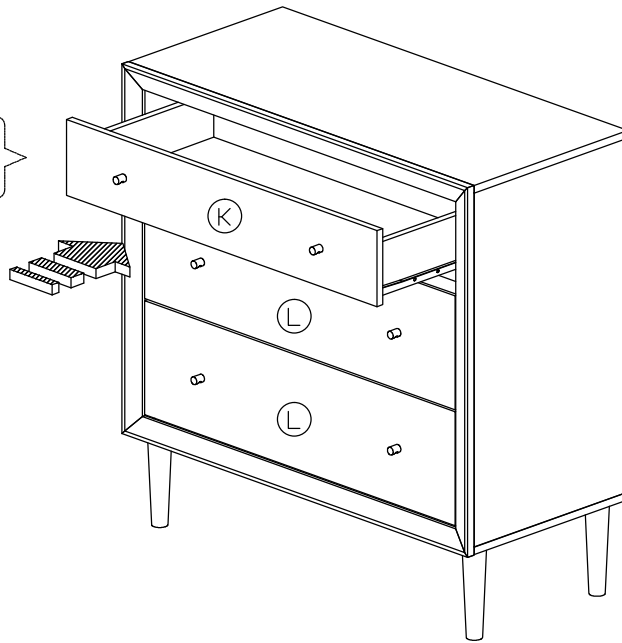
**Install Handle to drawer with screw as shown.*



Assembly Instruction

Step 15

**Insert all drawers into cabinet as shown.*



Complete

