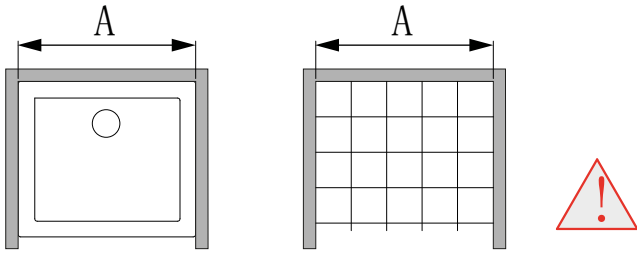
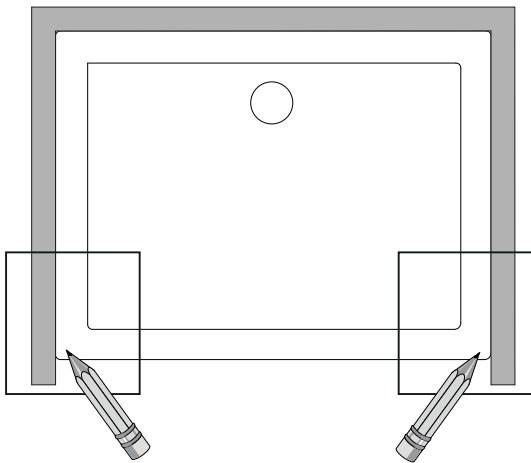
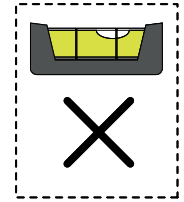
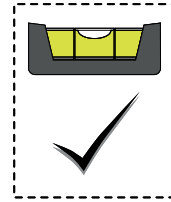
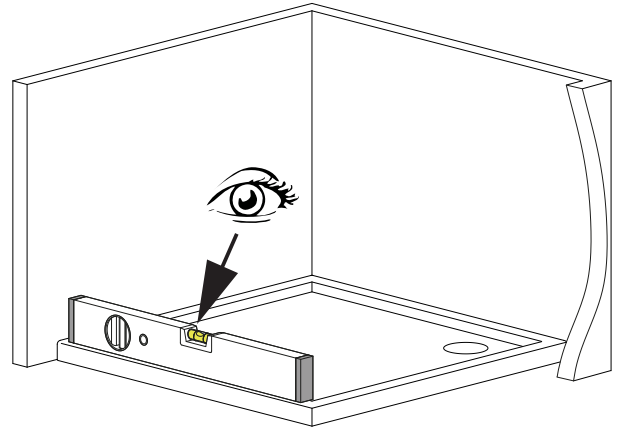
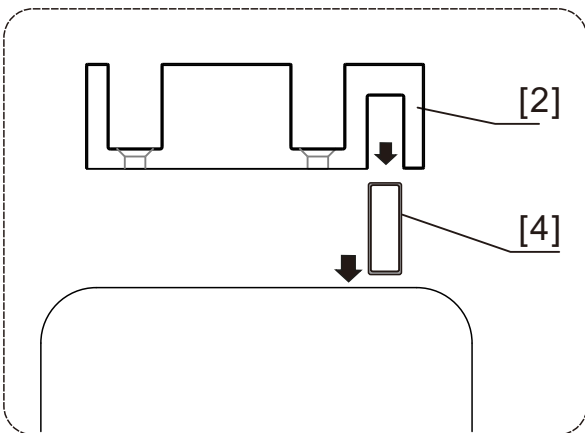
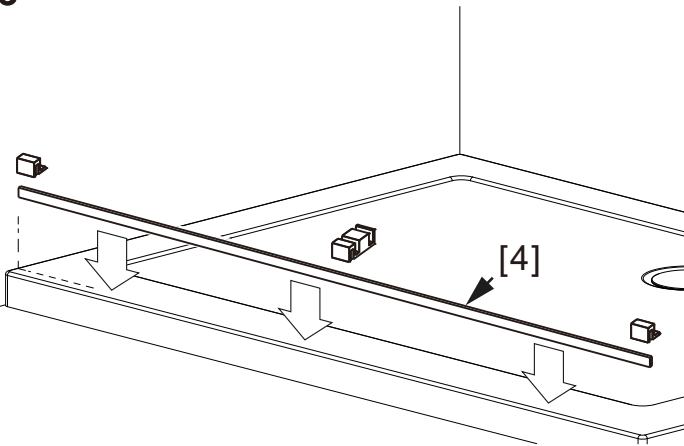
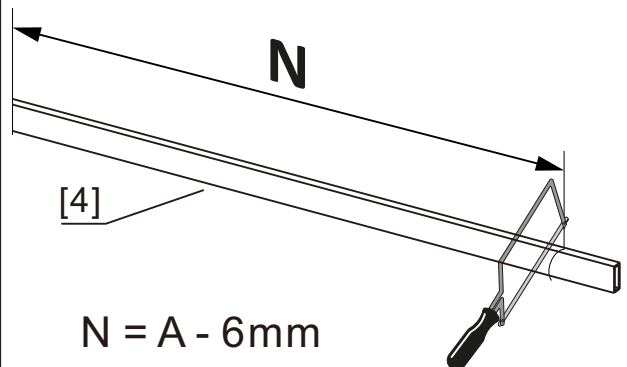
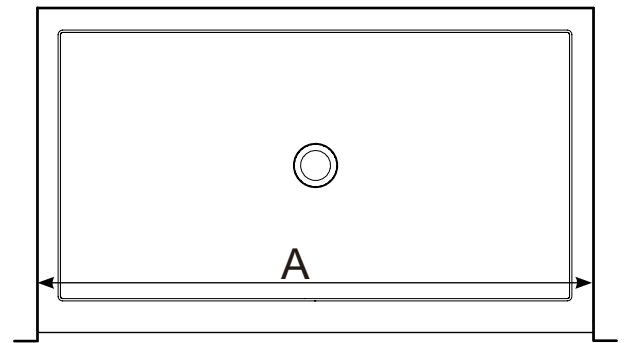


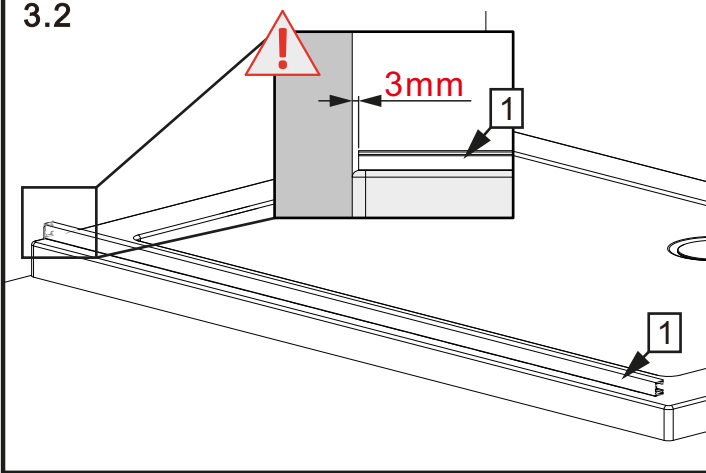
1

	1524
A	1524-1534

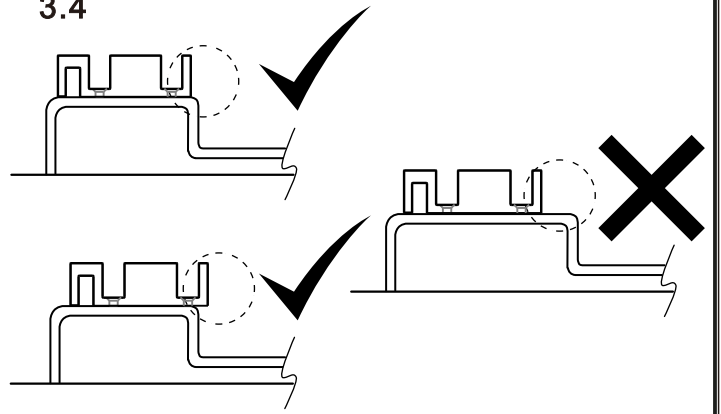
**2****3****3.1**

$$N = A - 6\text{mm}$$

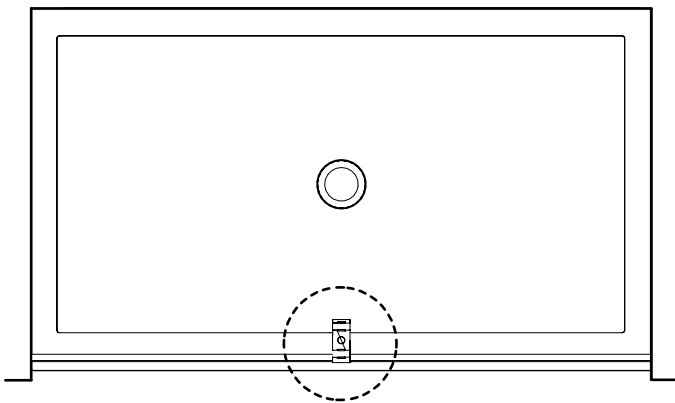
3.2



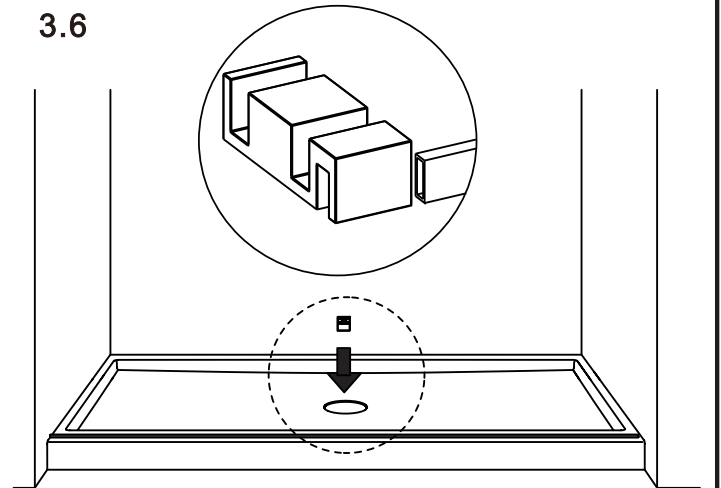
3.4



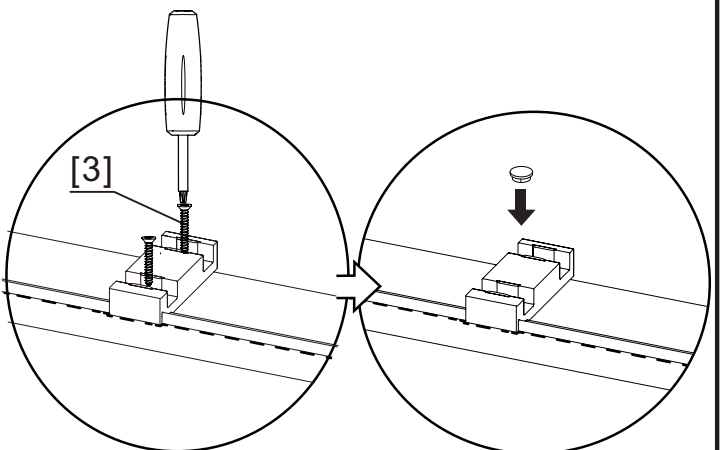
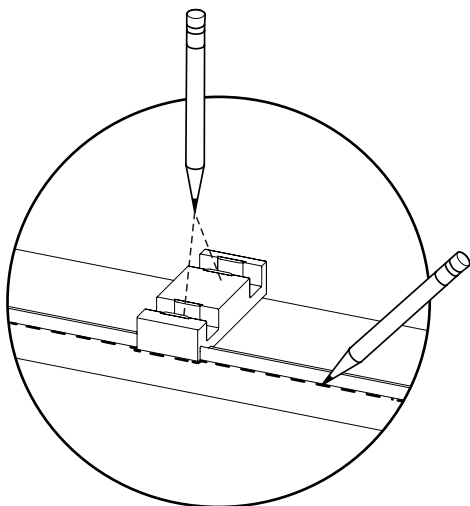
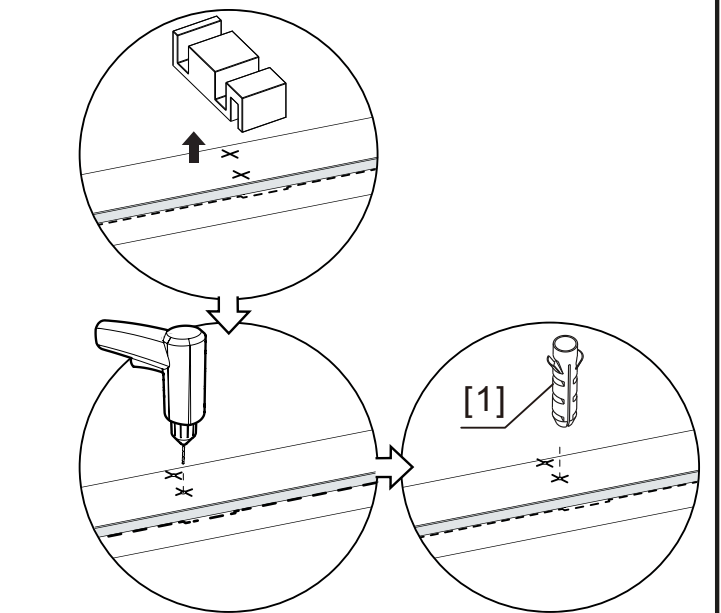
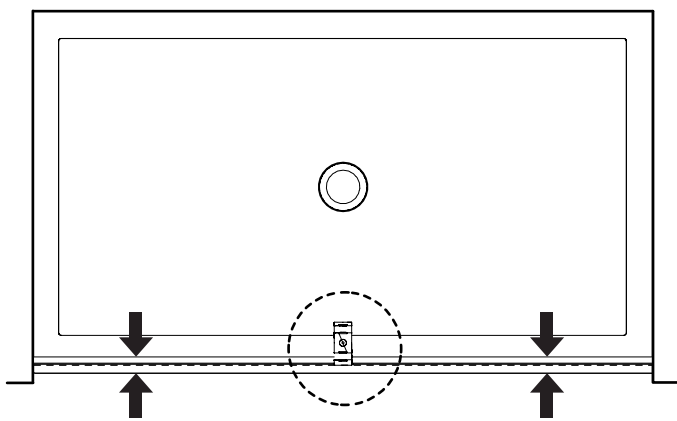
3.3

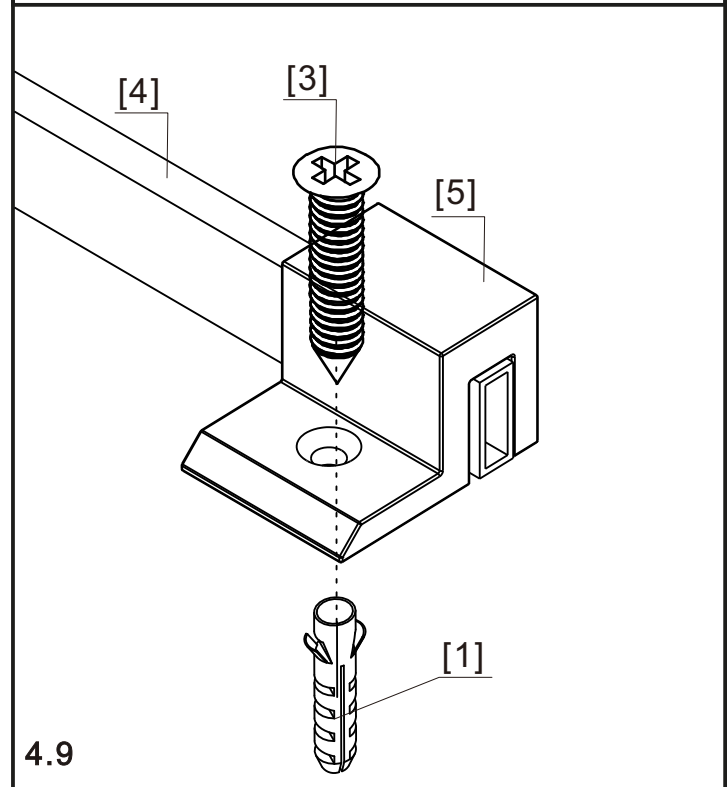
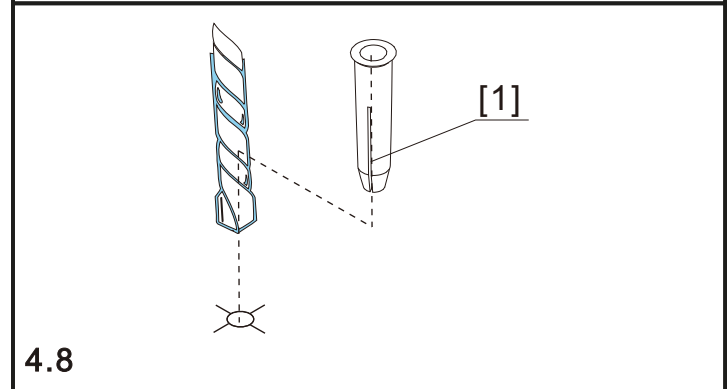
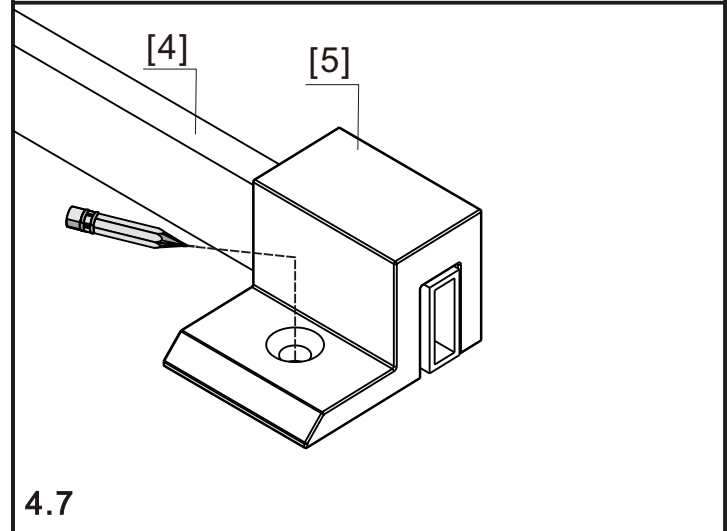
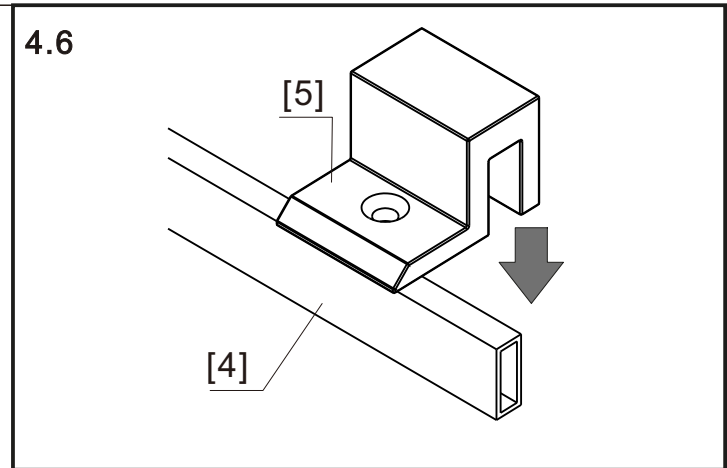
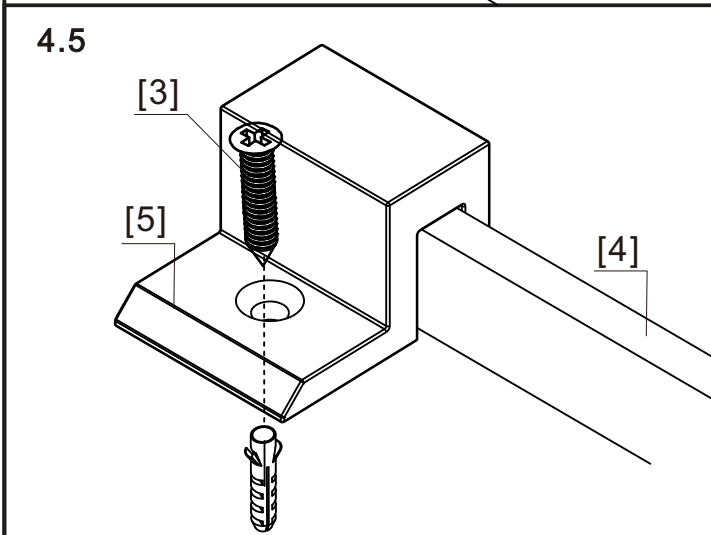
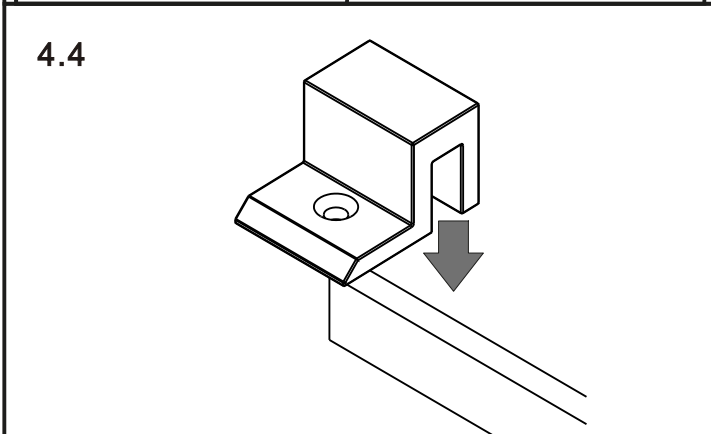
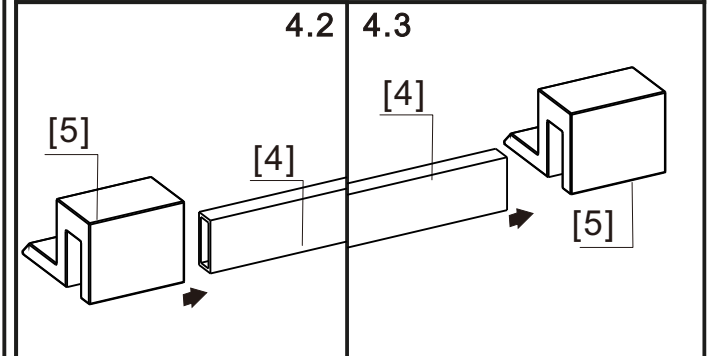
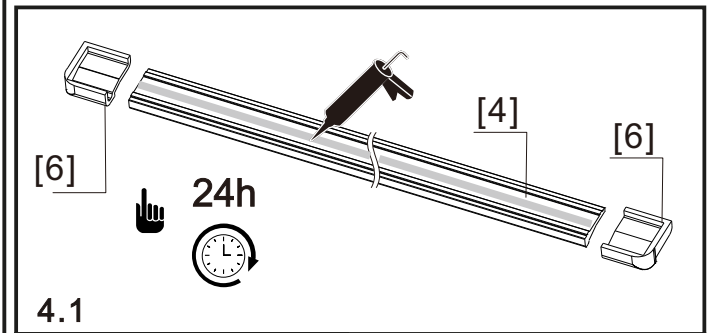
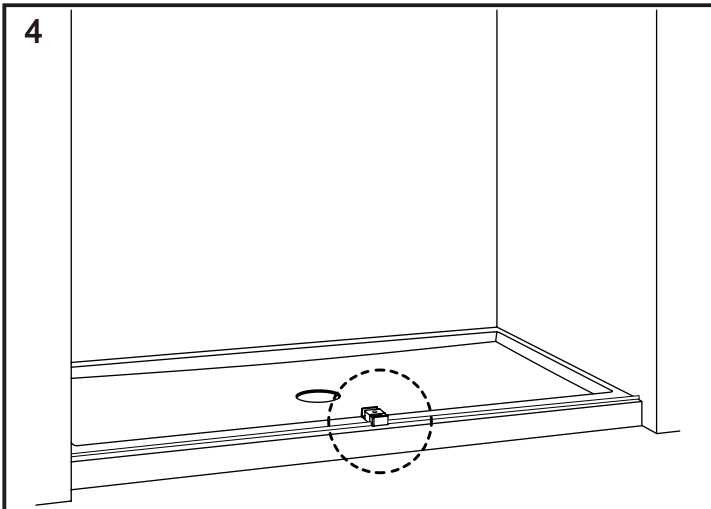


3.6



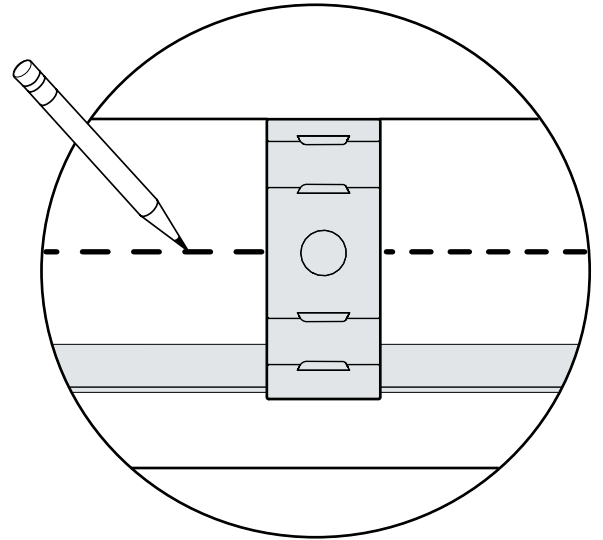
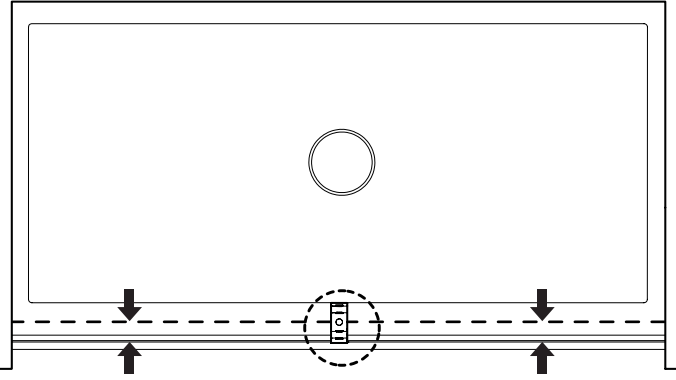
3.5



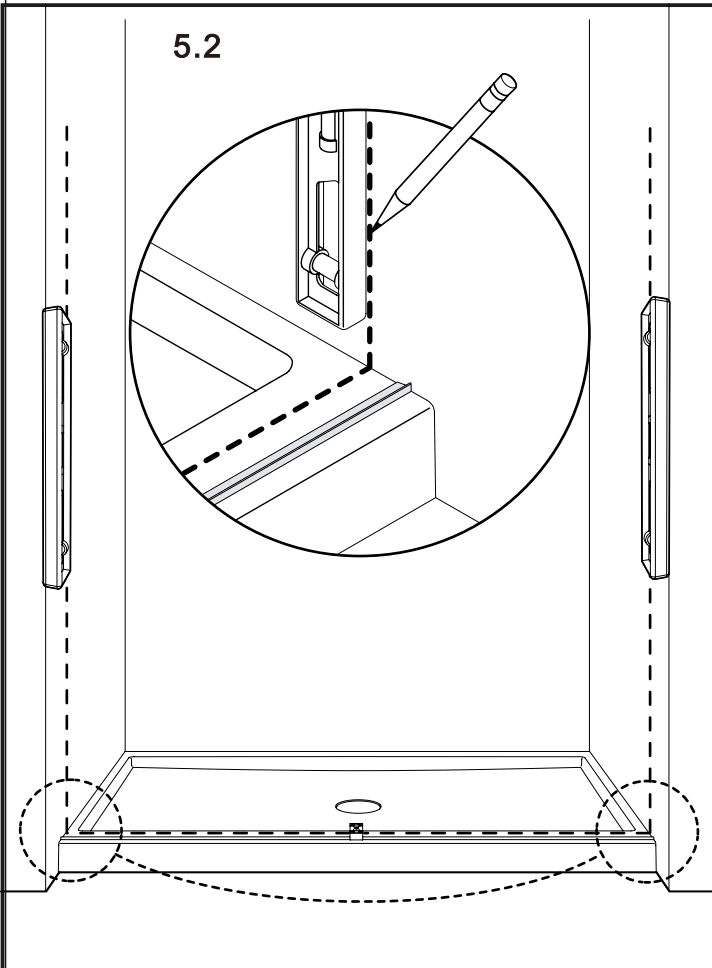


5

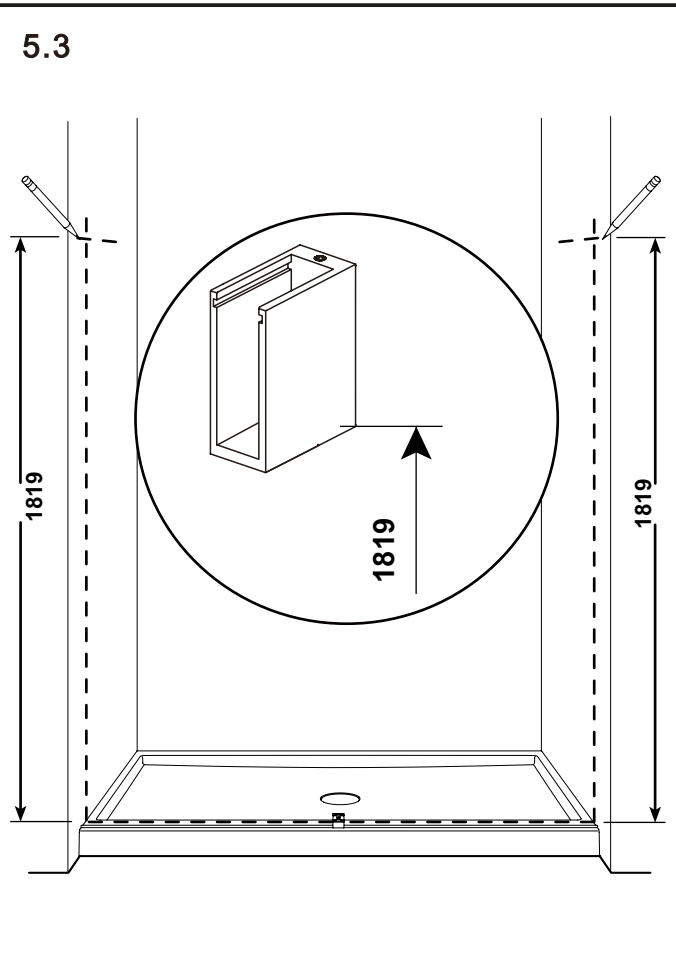
5.1



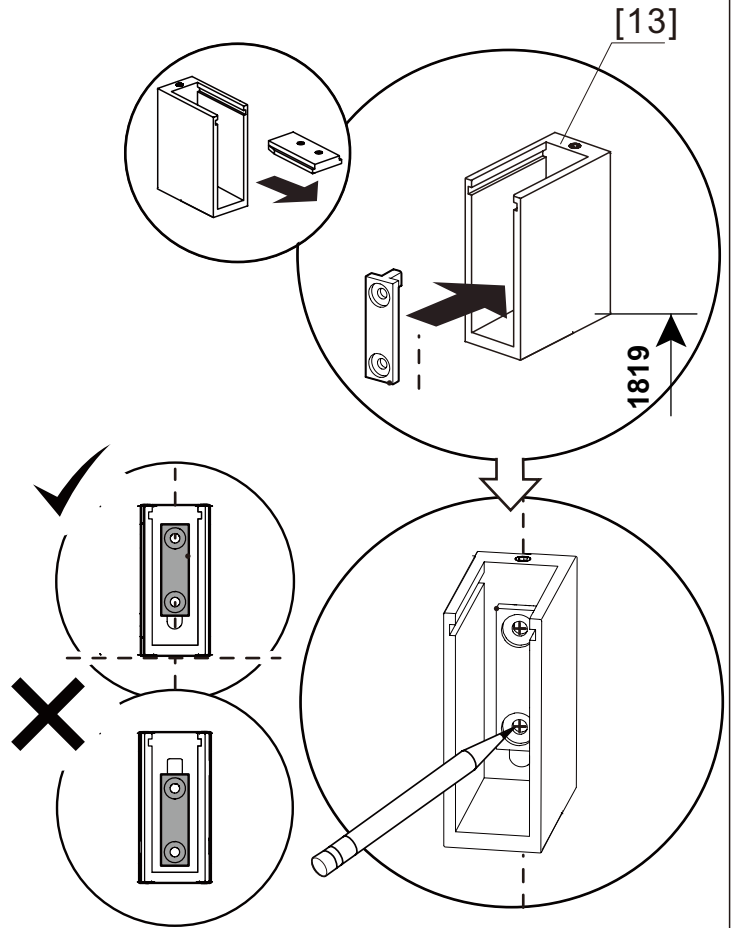
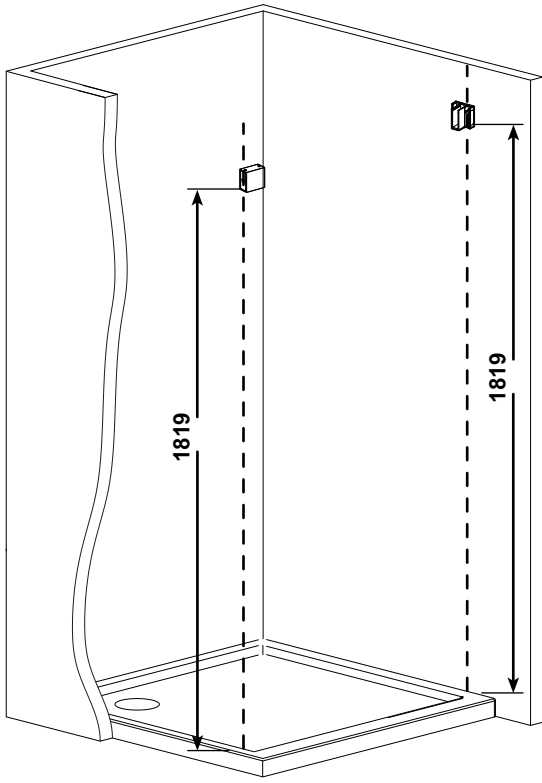
5.2



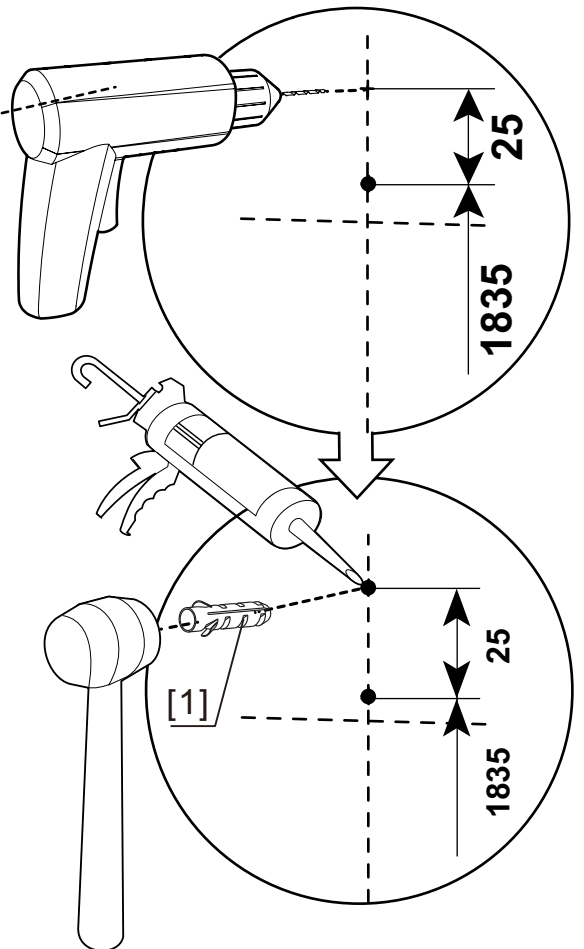
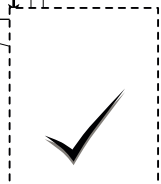
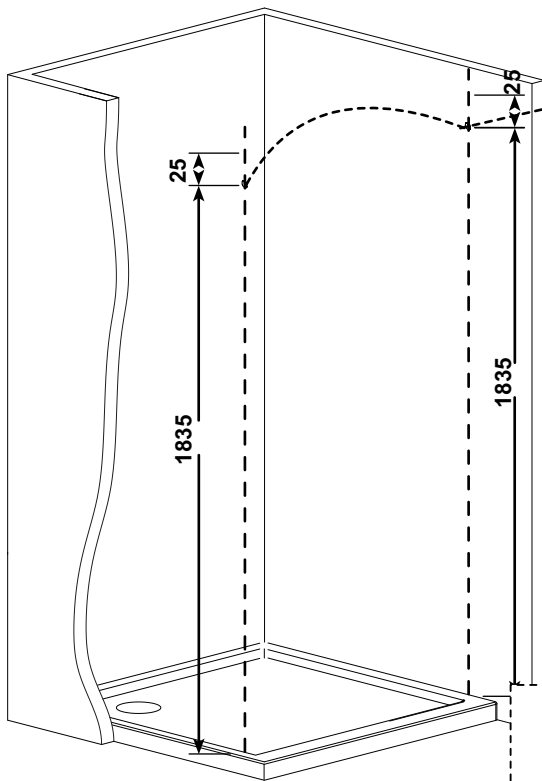
5.3



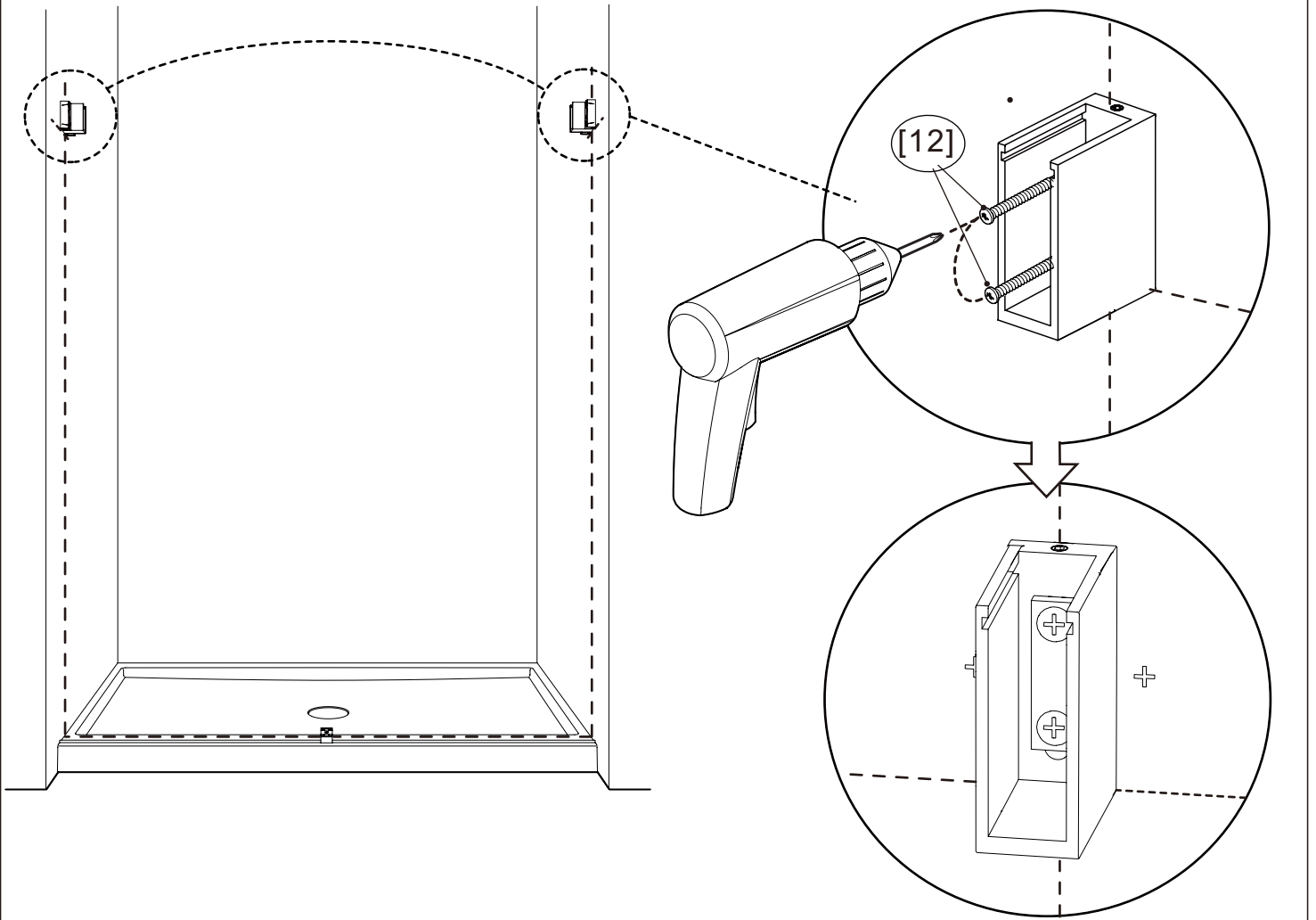
6



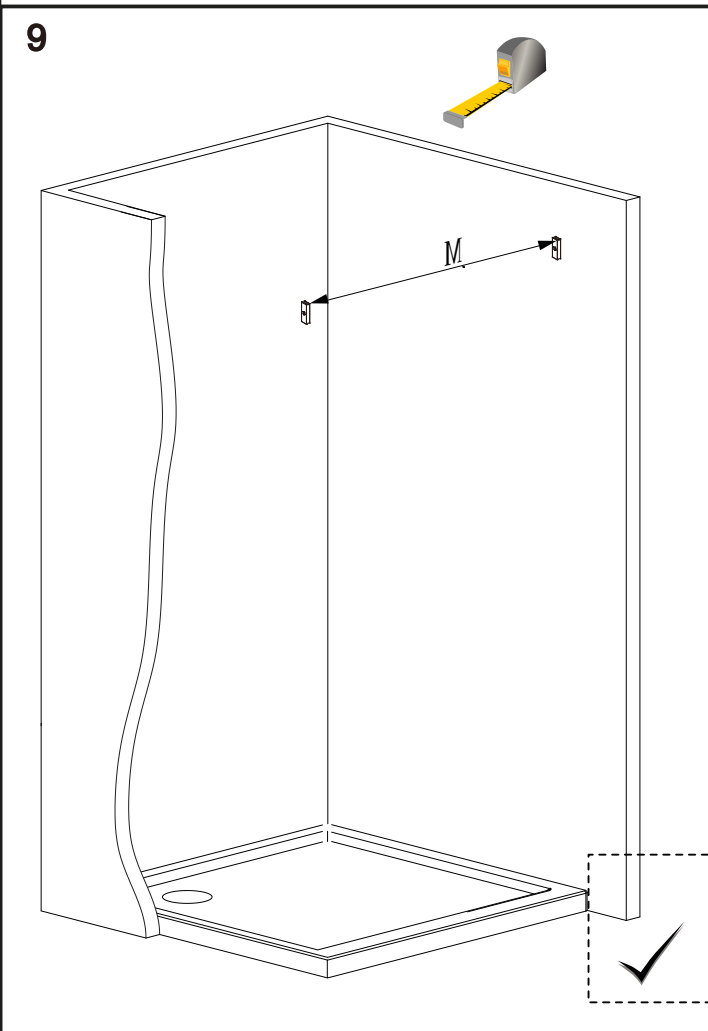
7



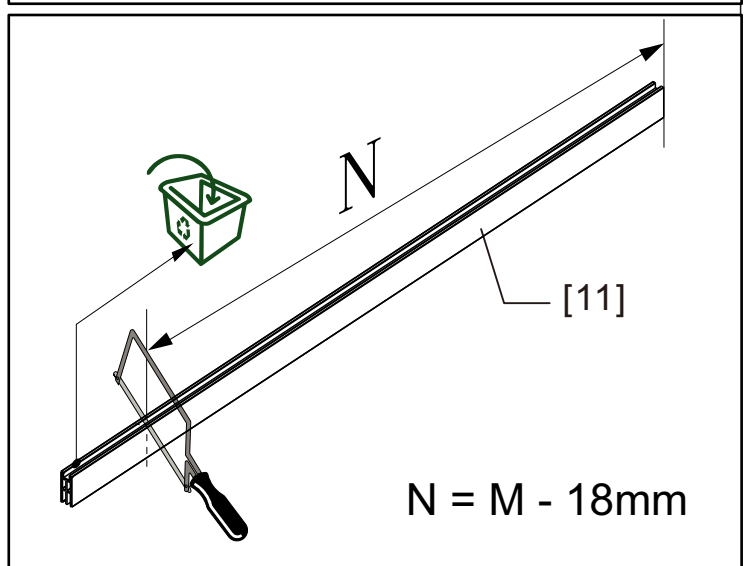
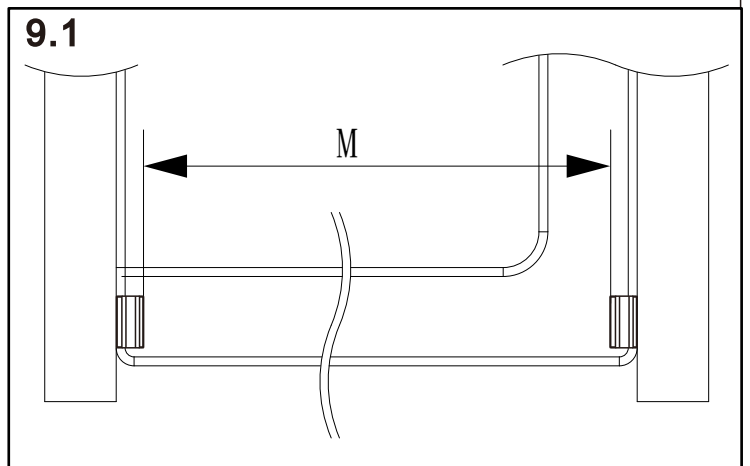
8



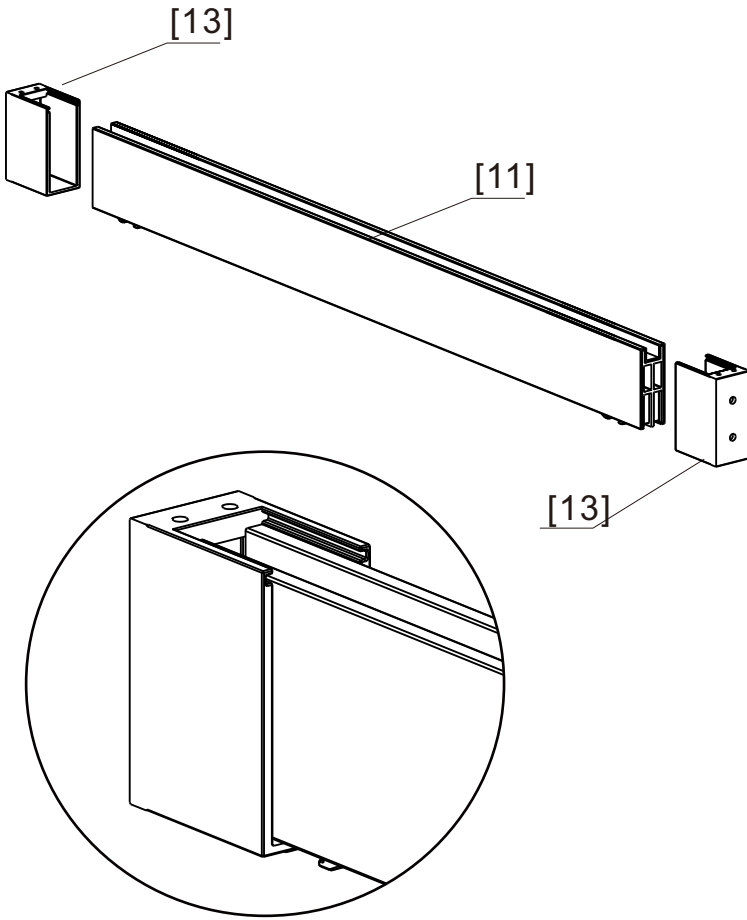
9



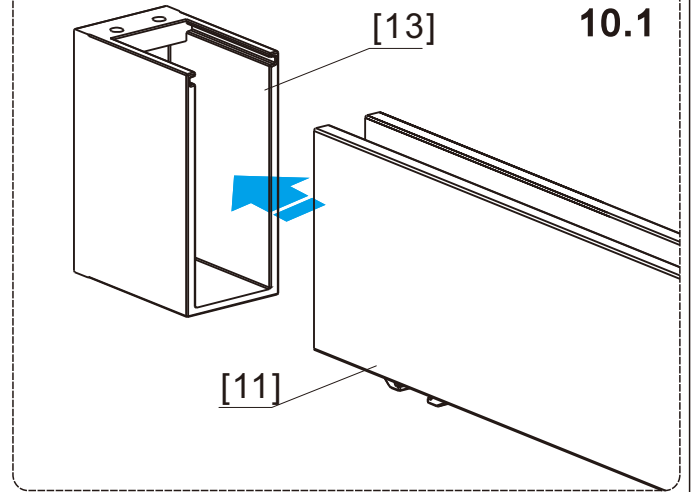
9.1



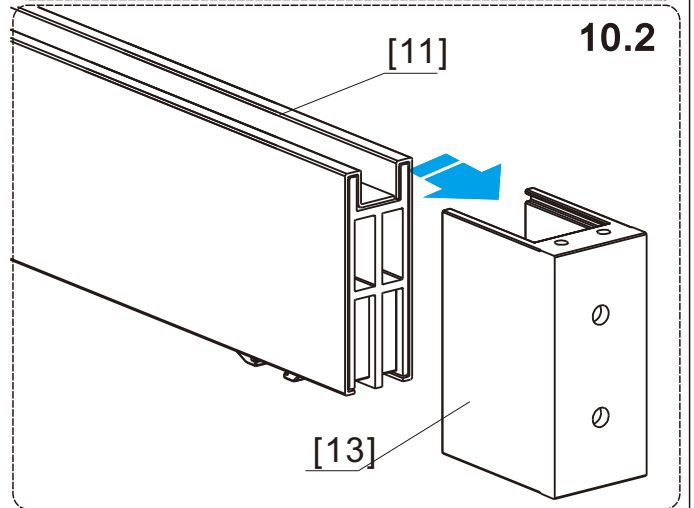
10



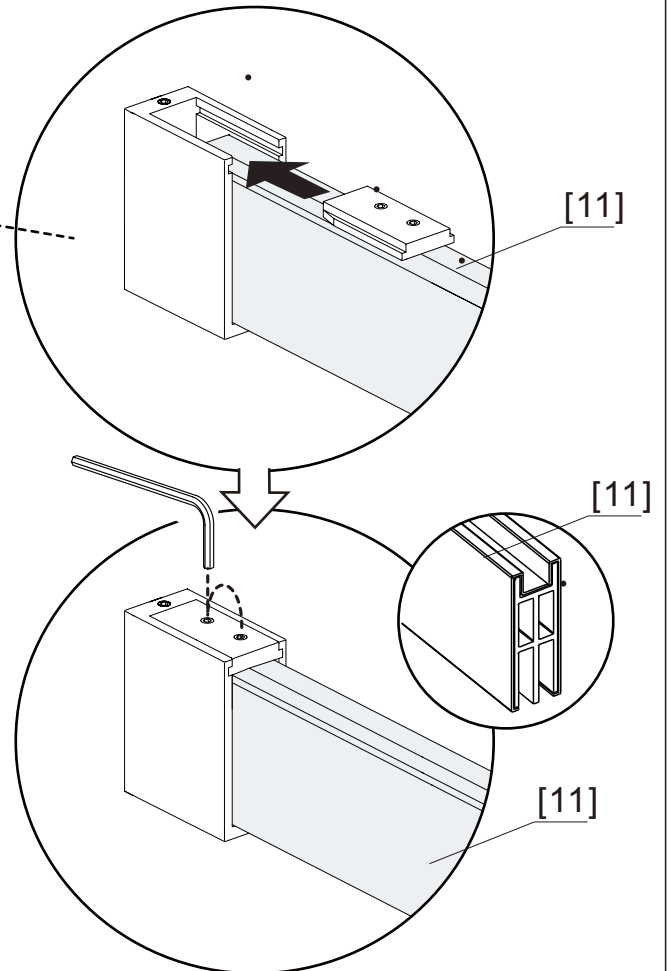
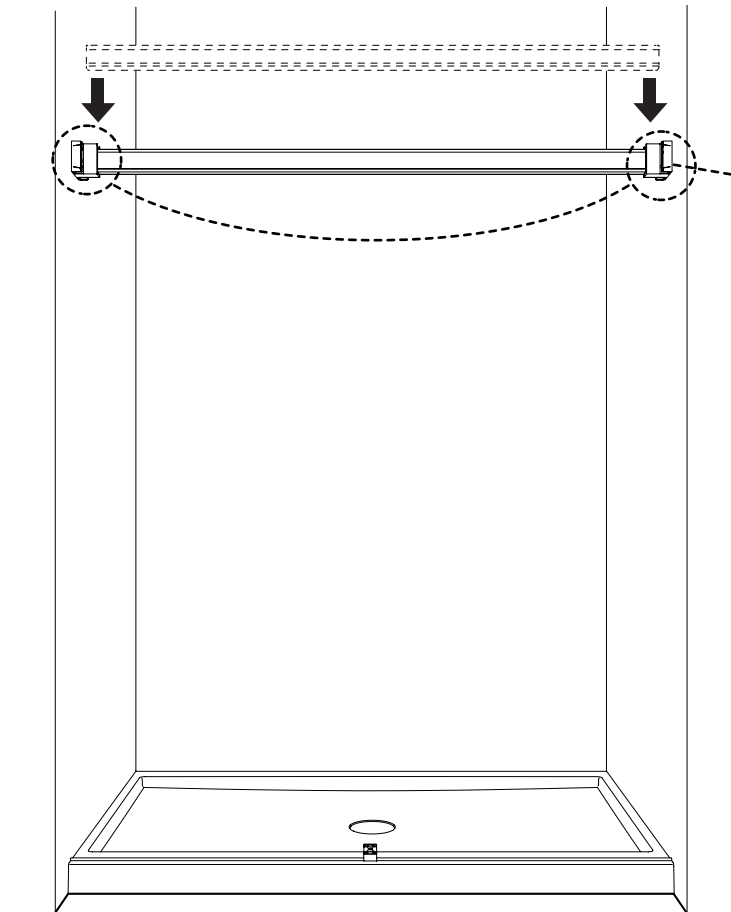
10.1



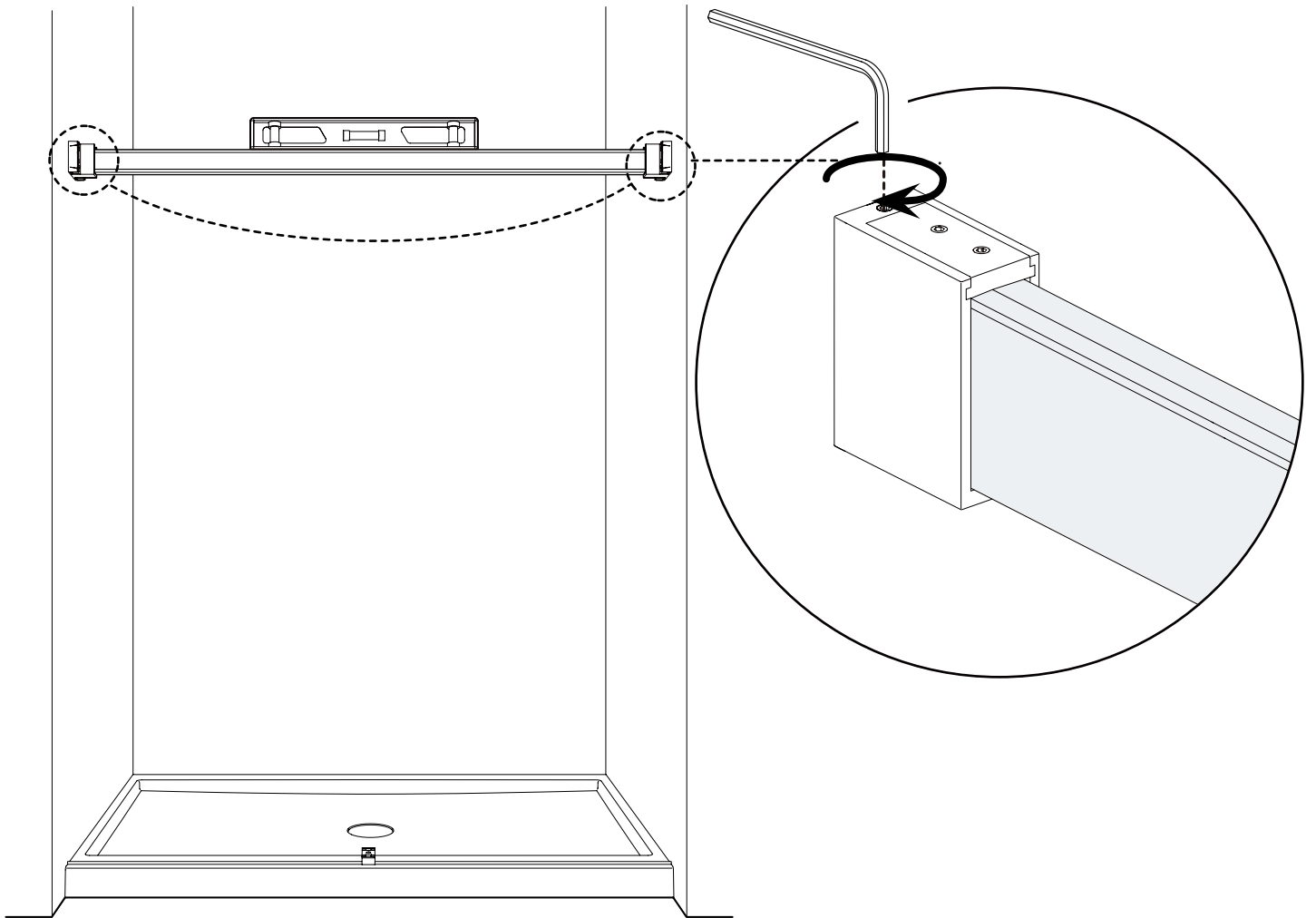
10.2



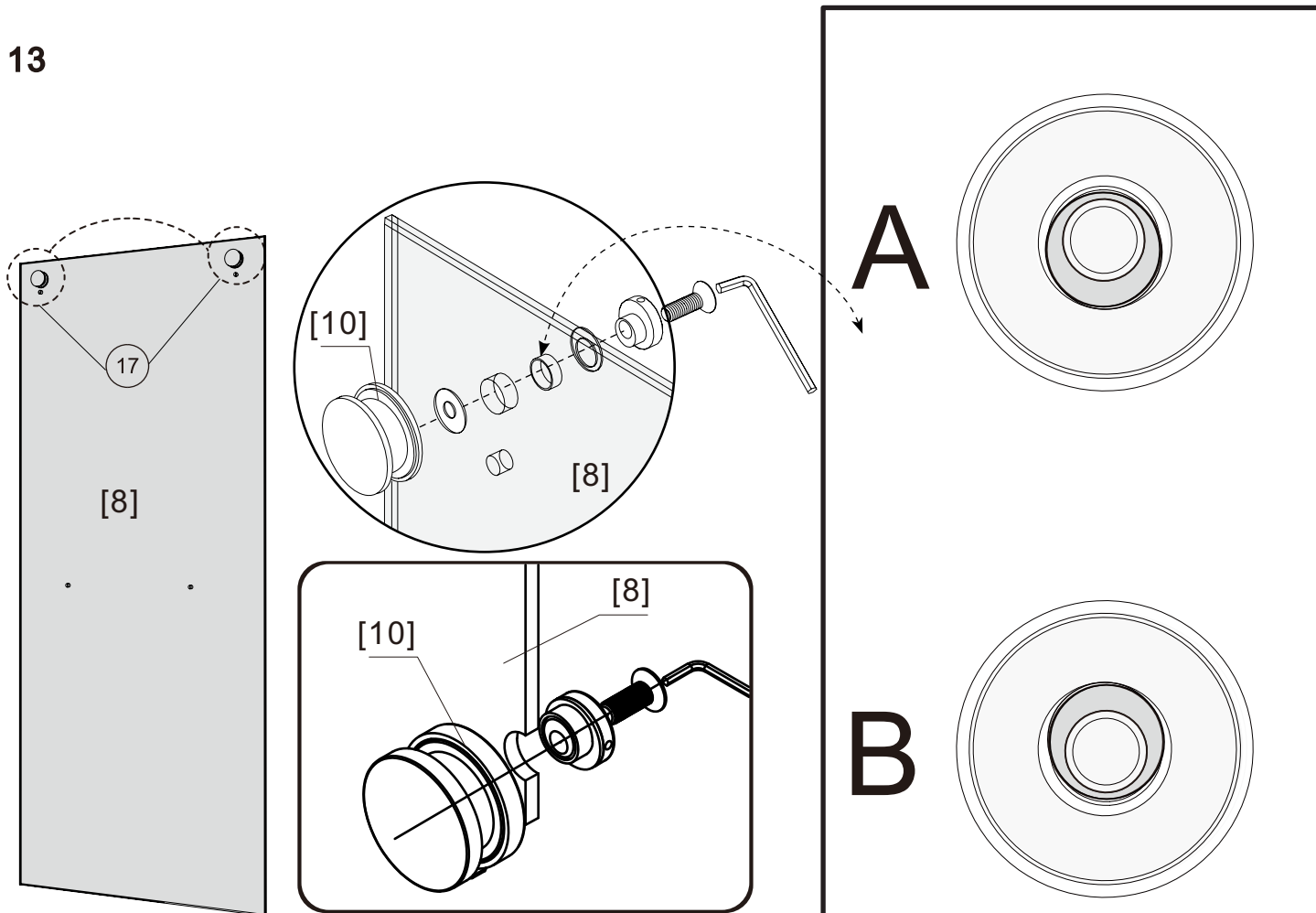
11



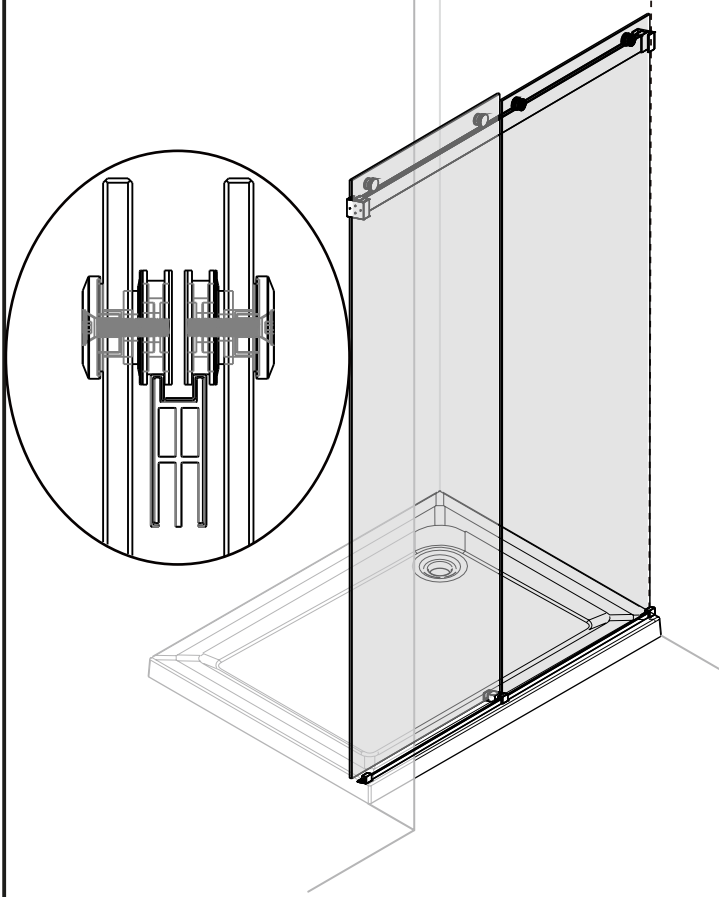
12



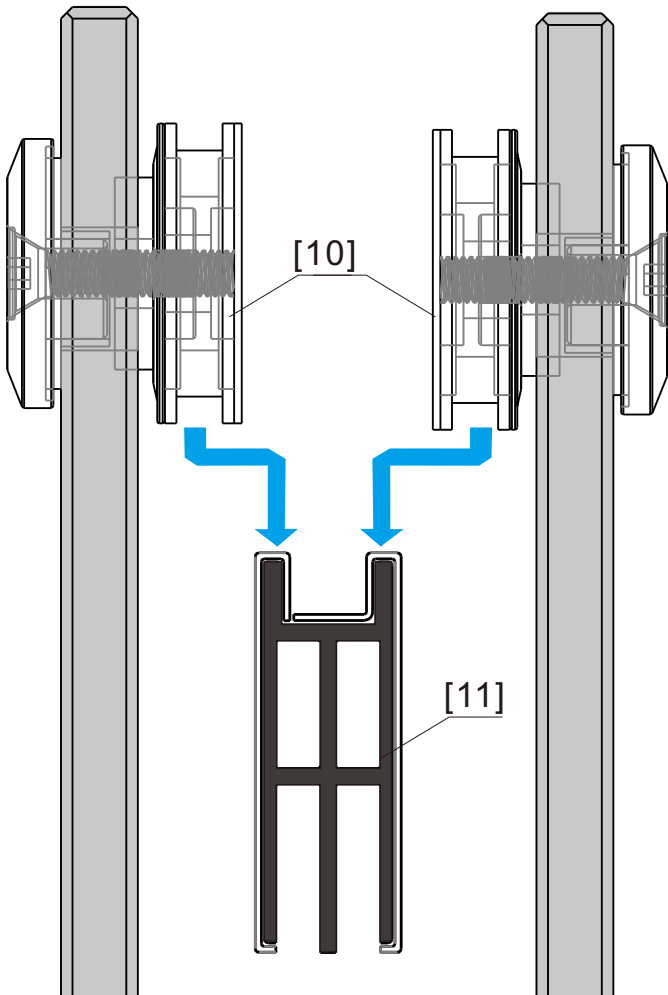
13



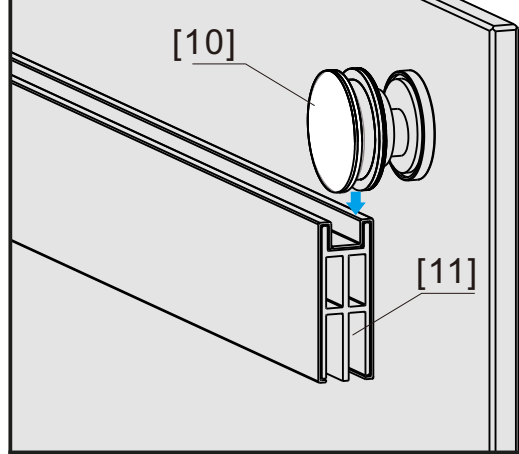
14



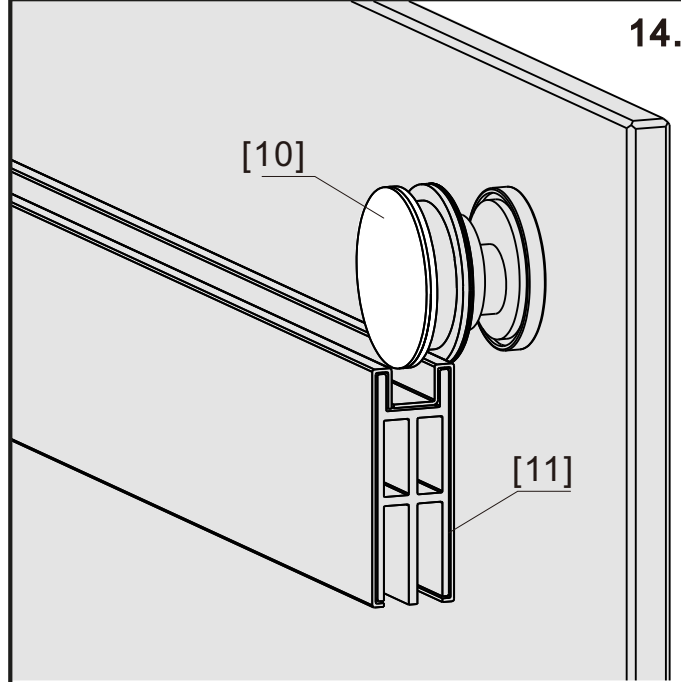
14.1



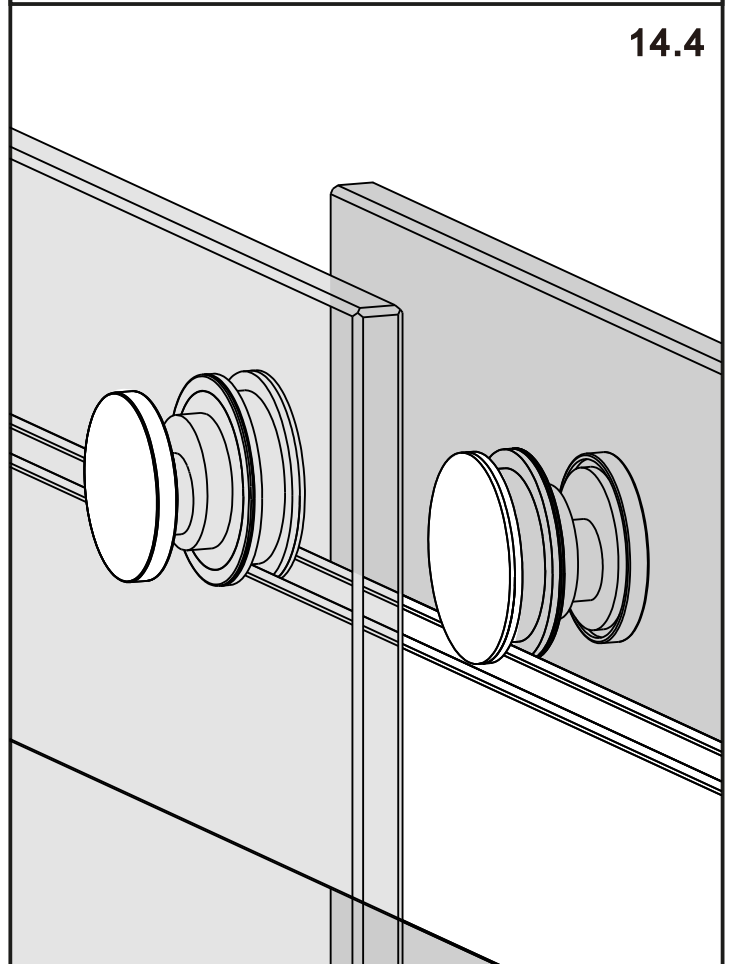
14.2



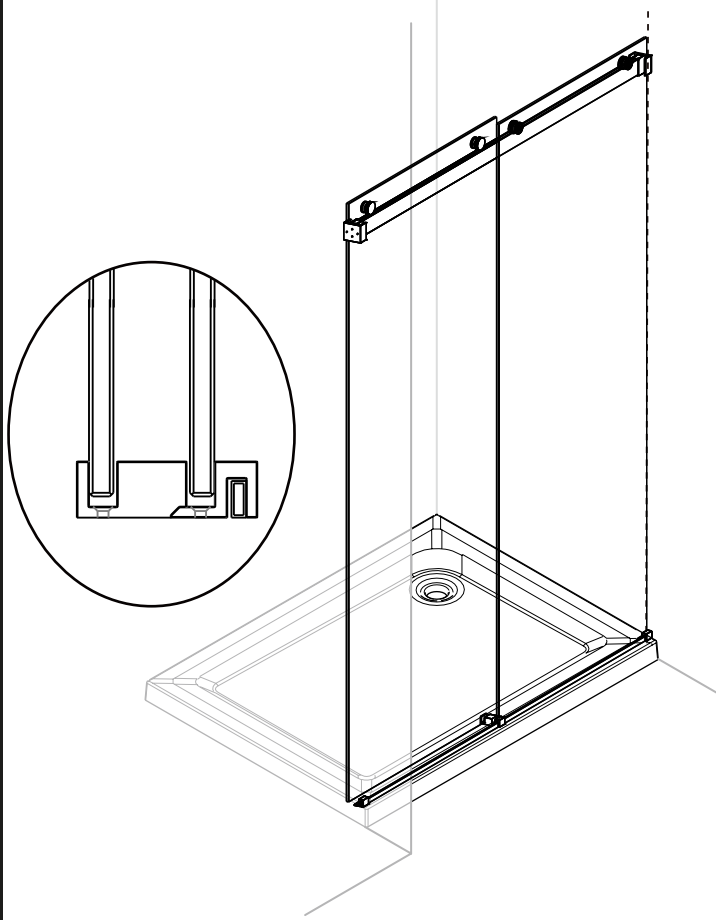
14.3



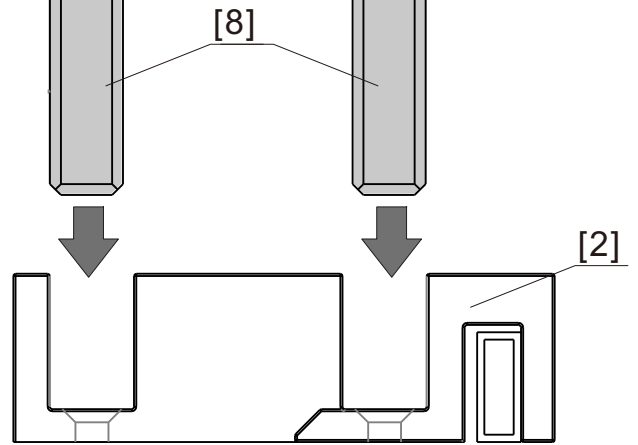
14.4



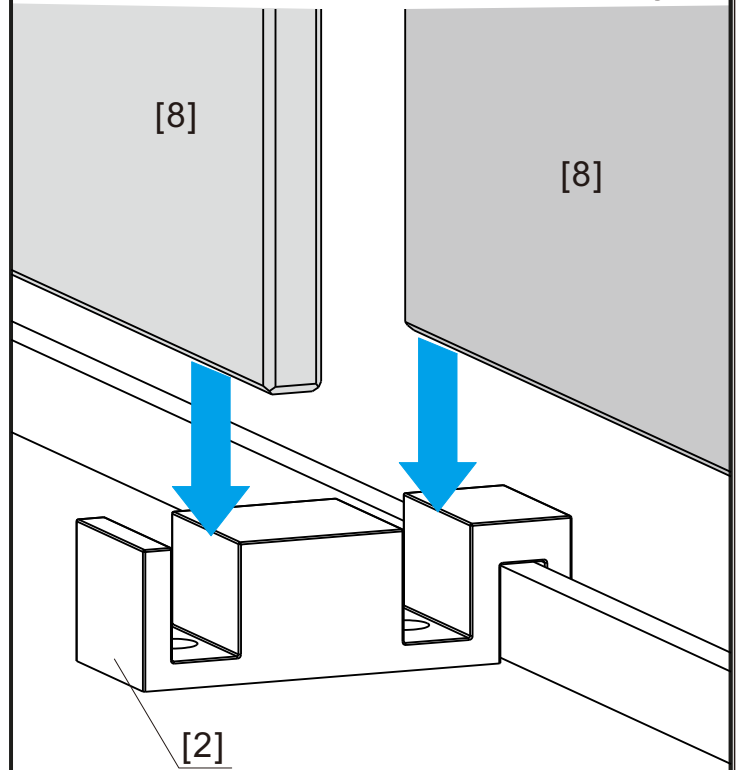
15



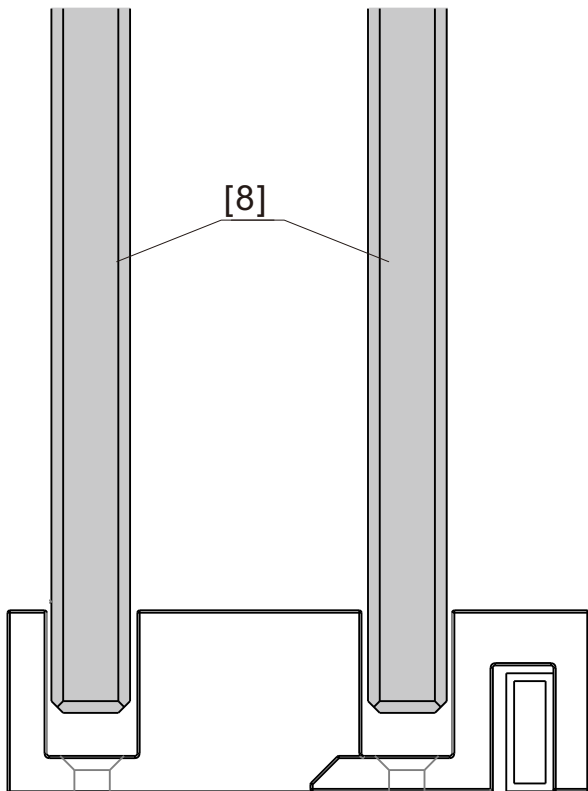
15.1



15.2



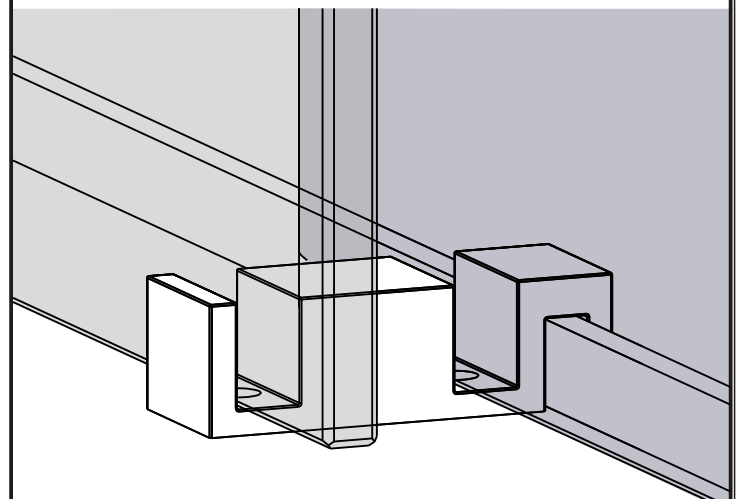
15.3

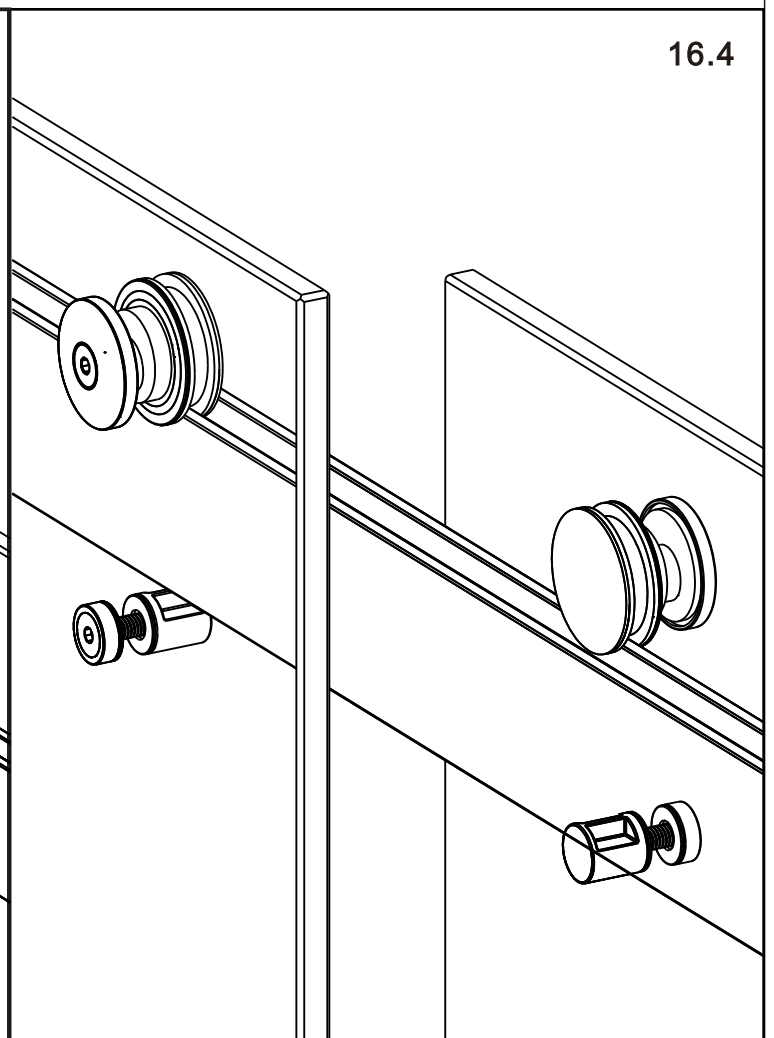
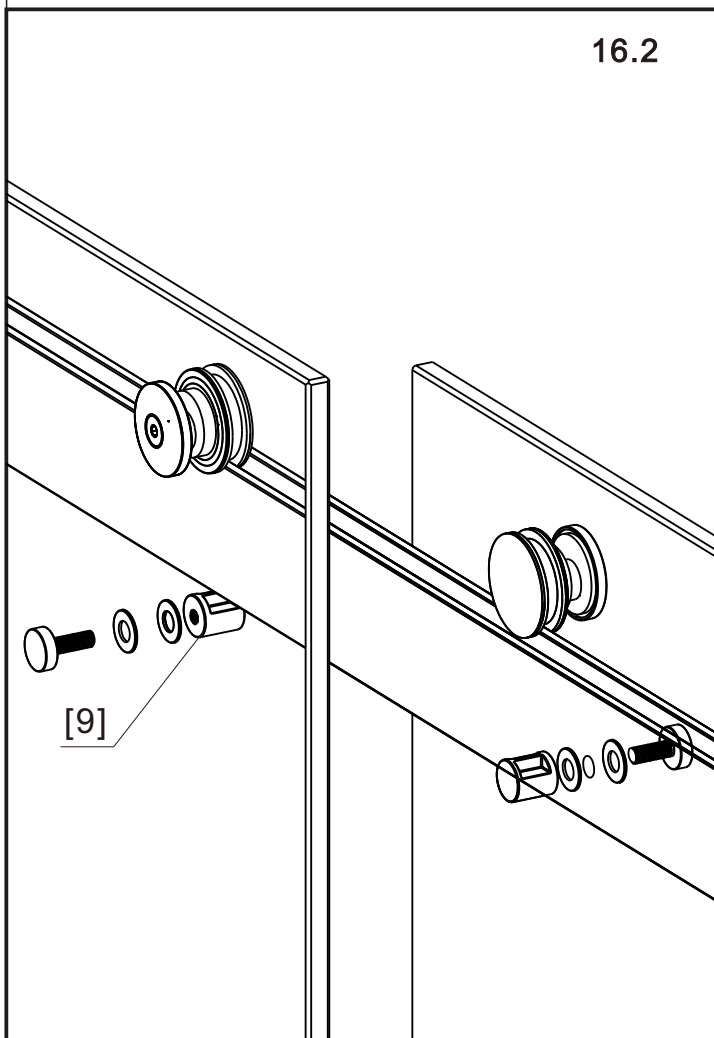
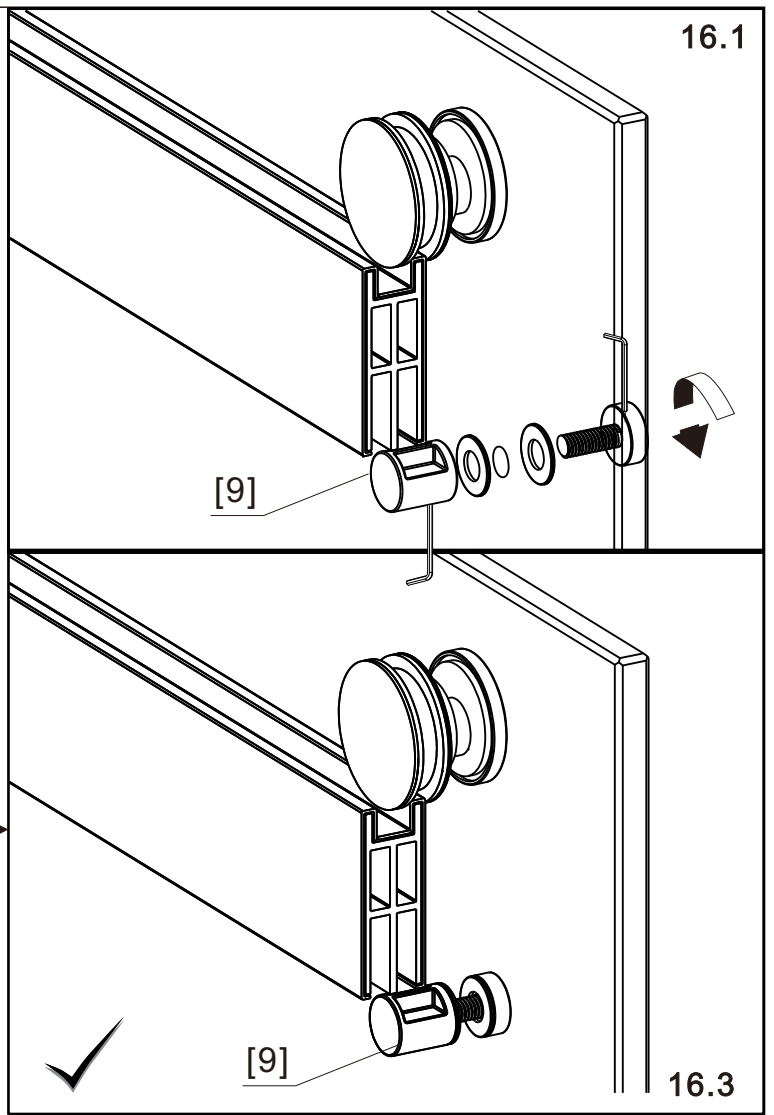
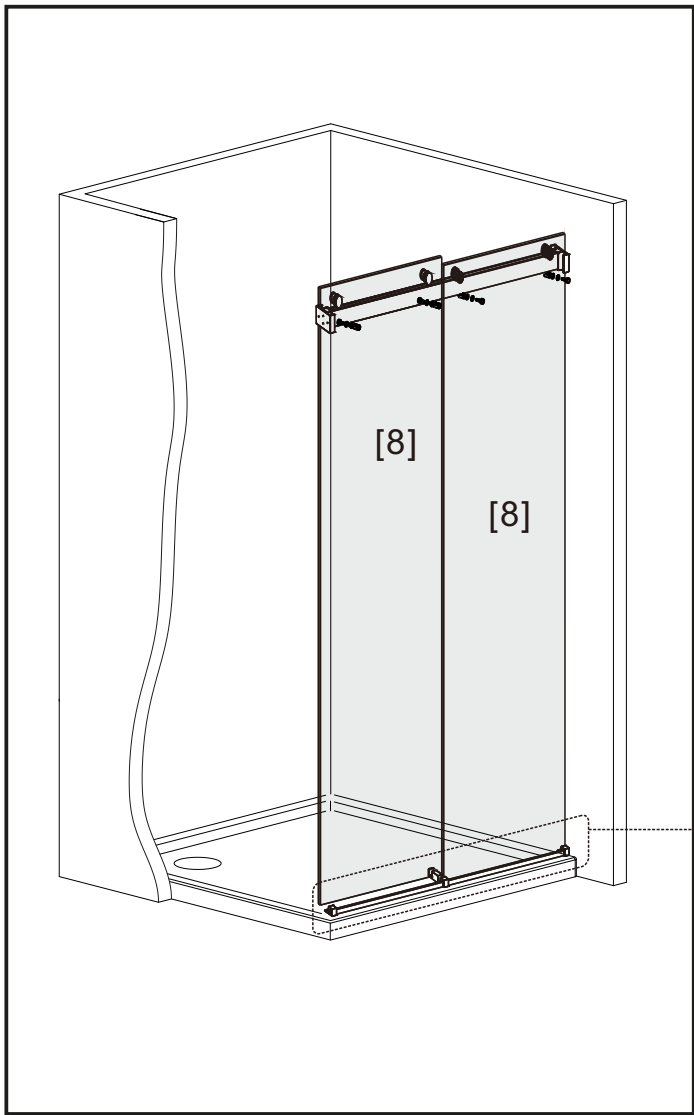


OK

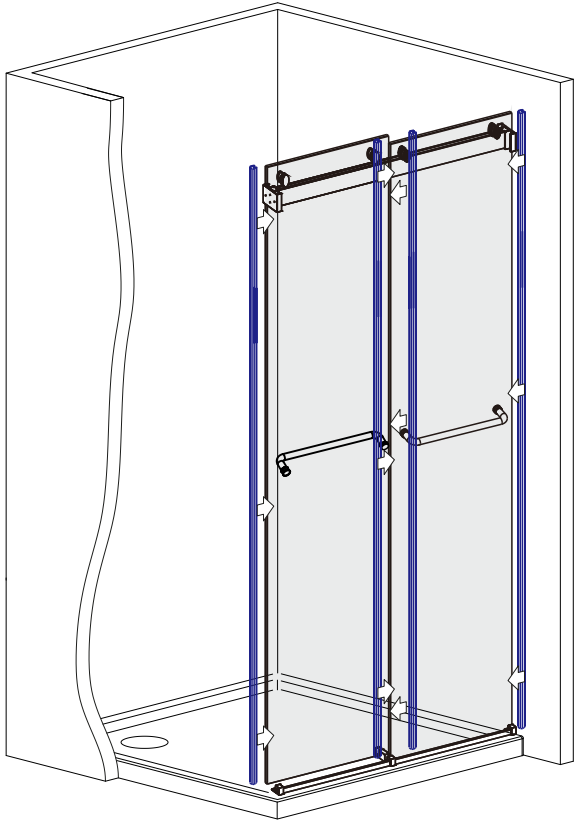


15.4

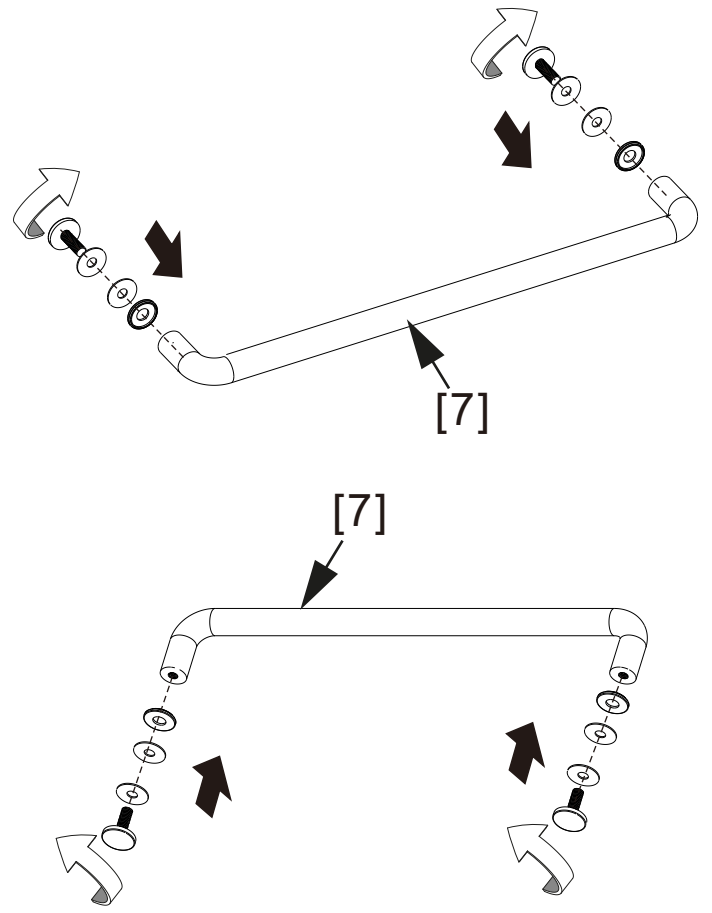




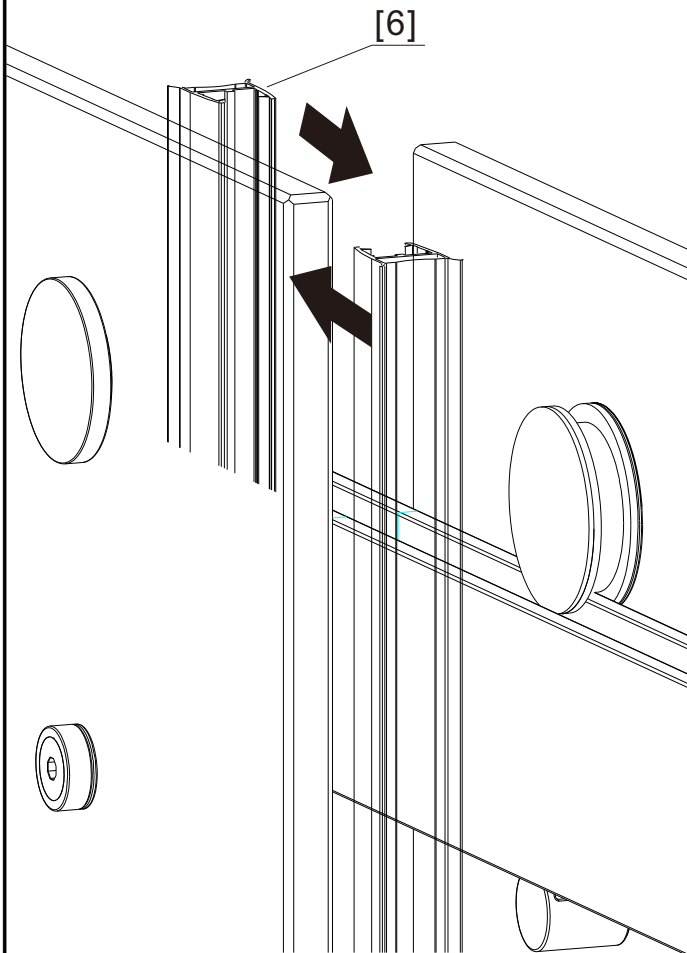
17



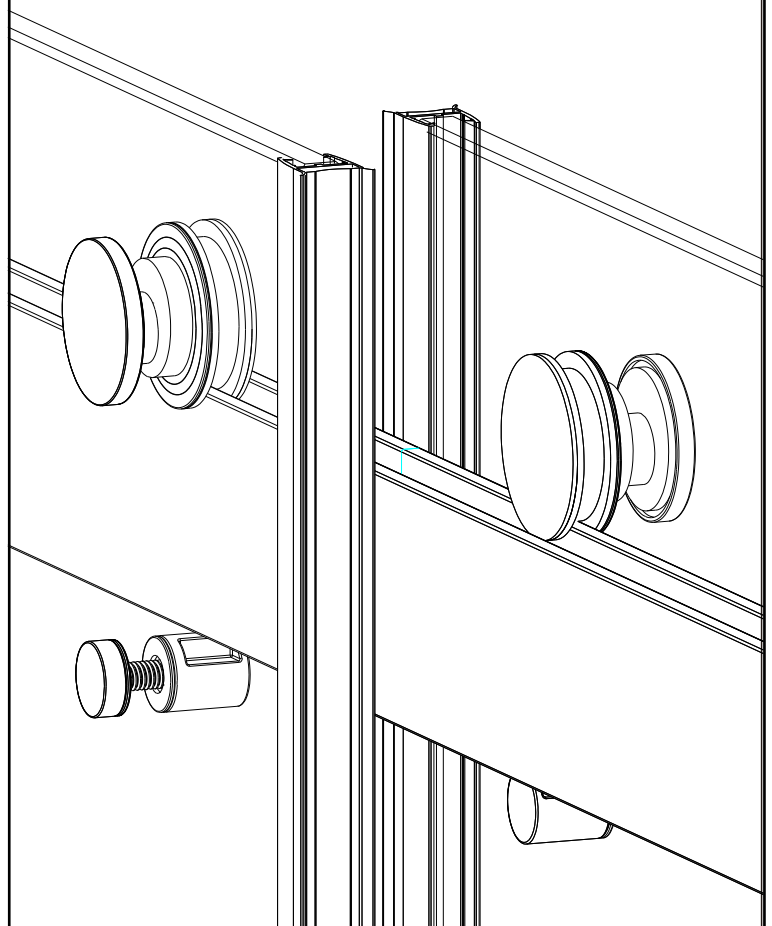
17.1



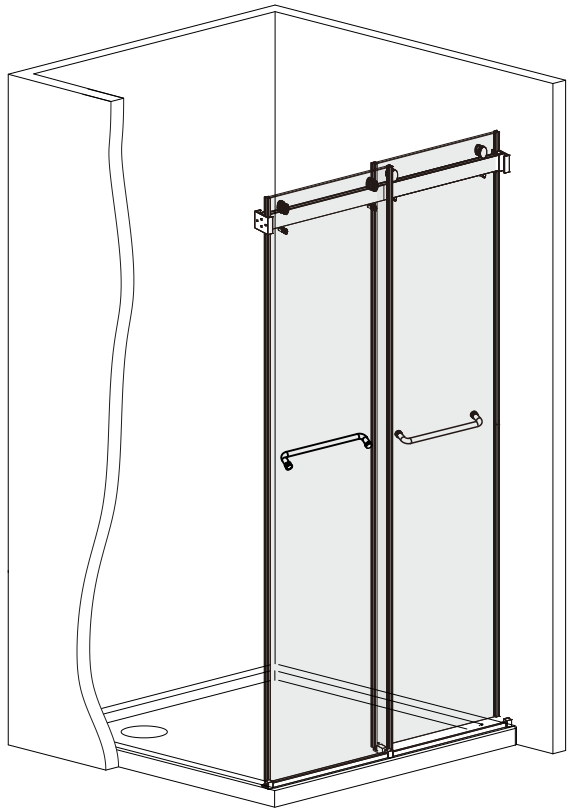
17.2



17.3



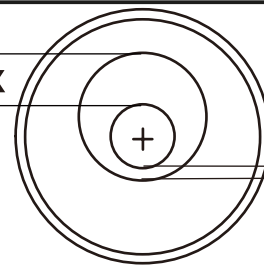
18



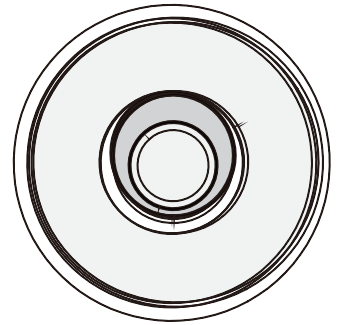
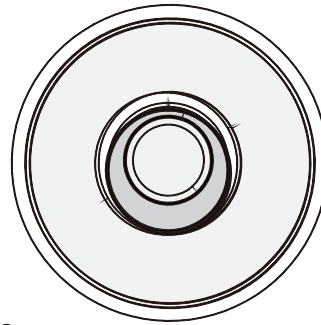
18.1



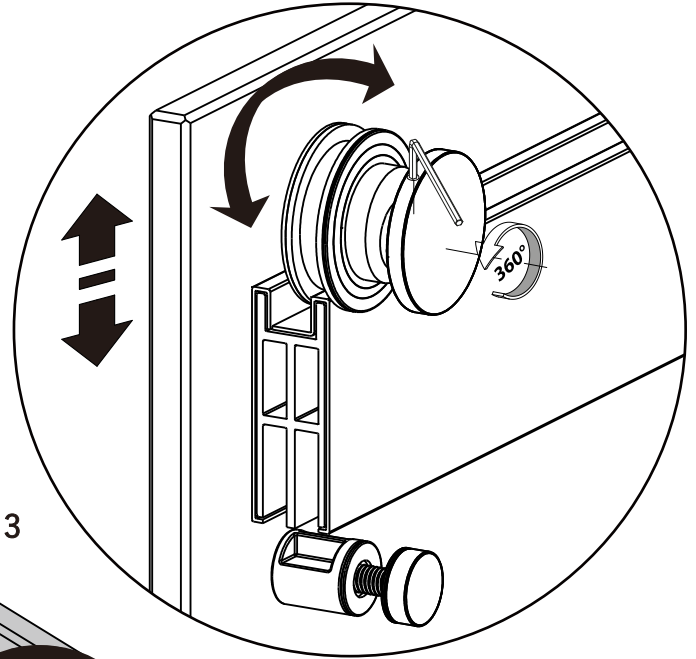
MAX



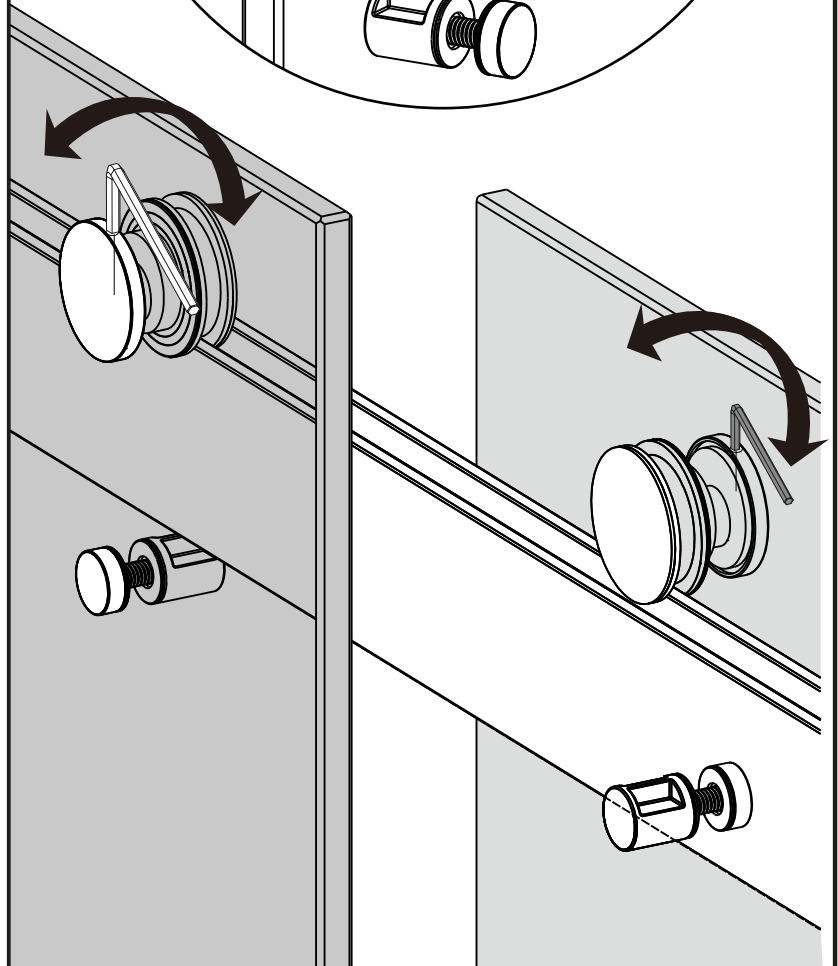
MIN



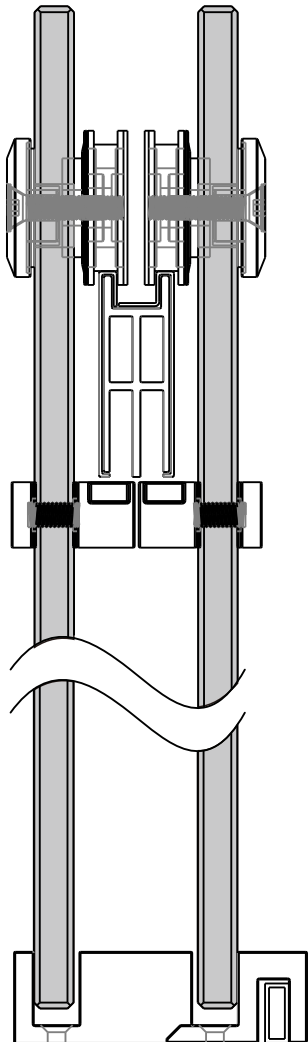
18.2



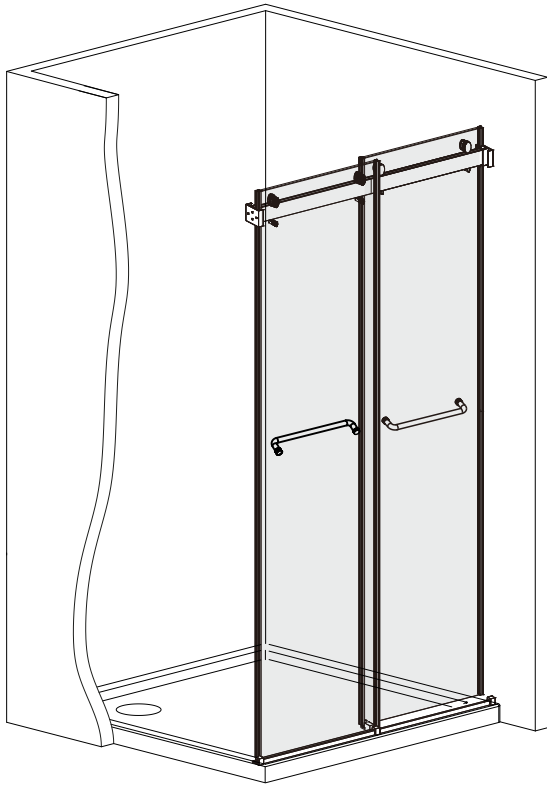
18.3



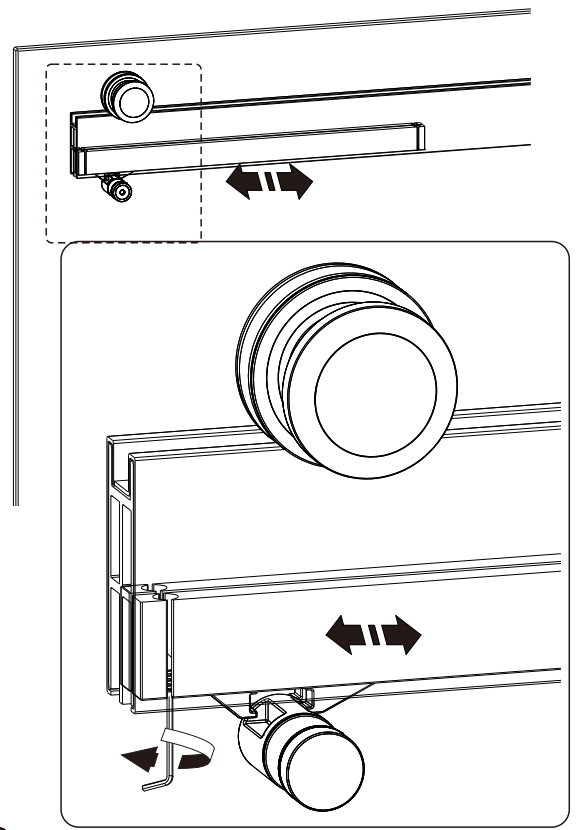
18.4



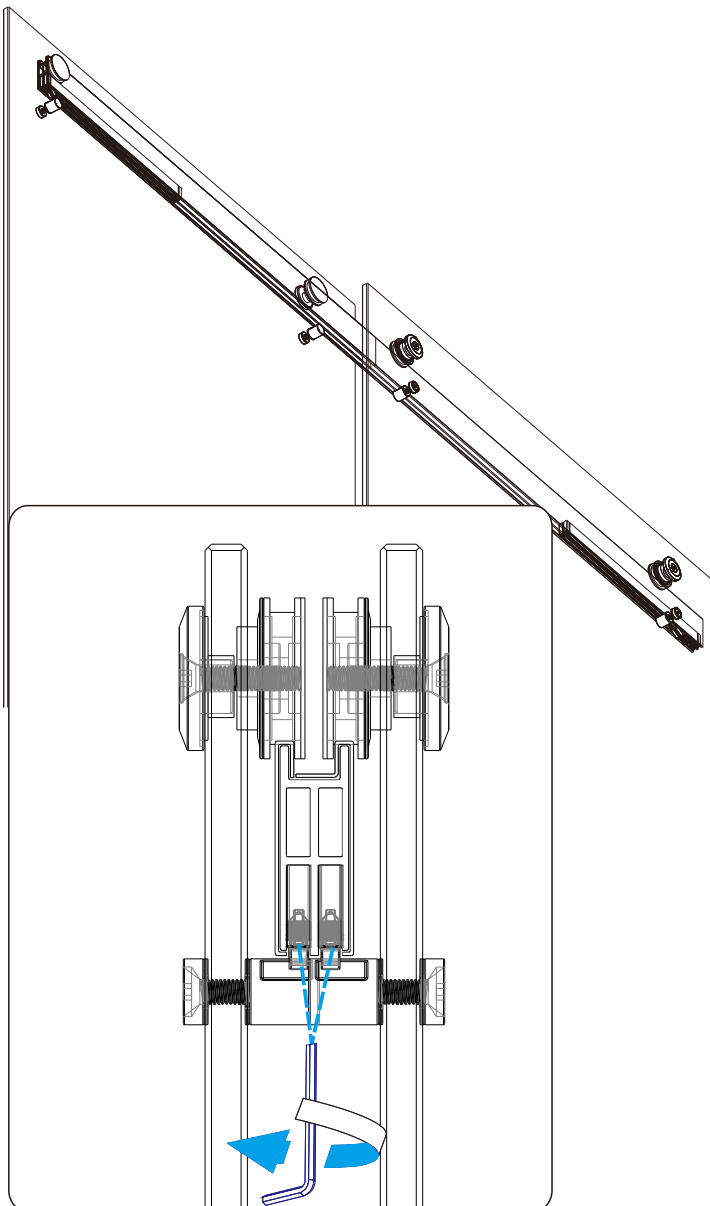
19



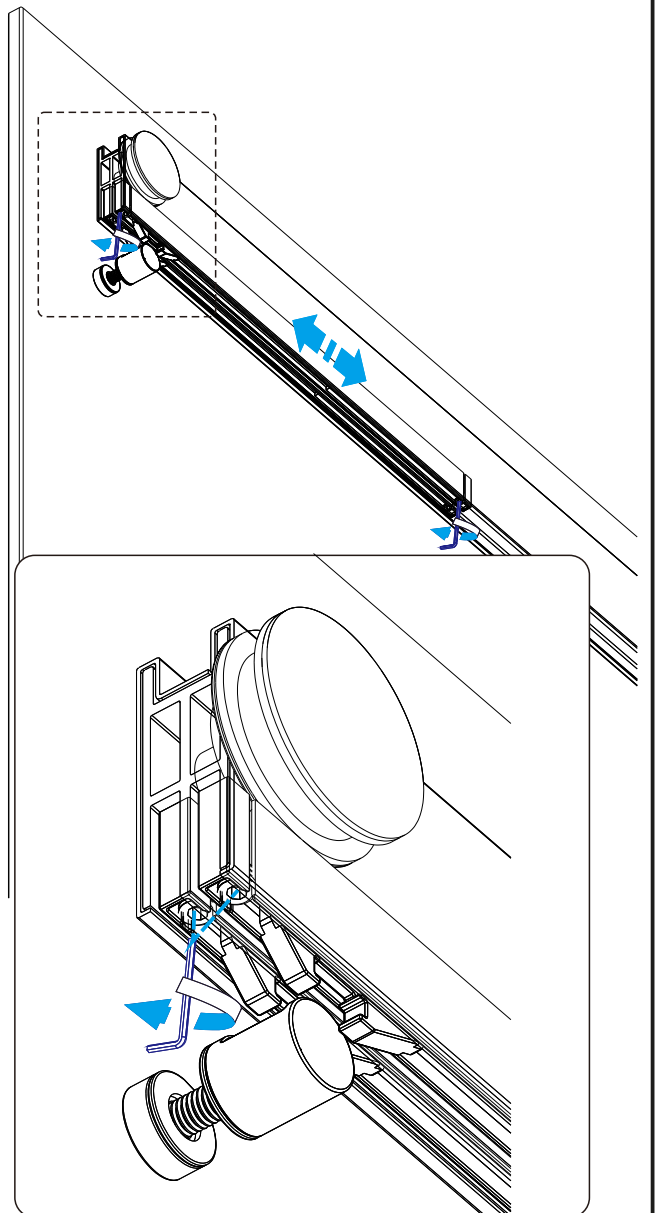
19.2



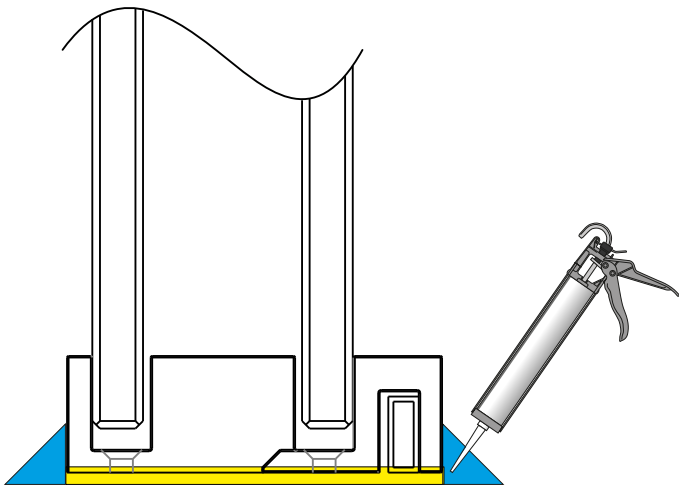
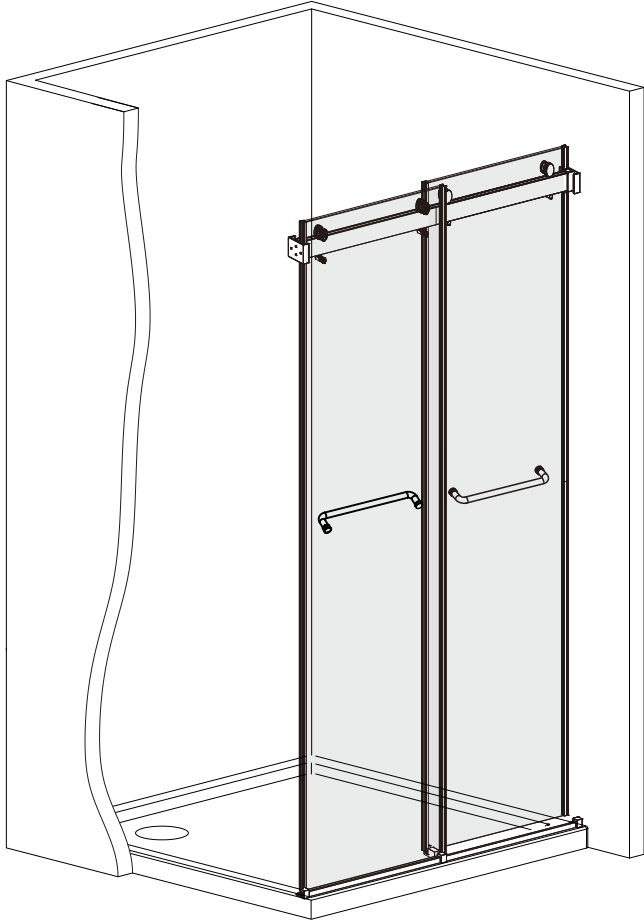
19.1



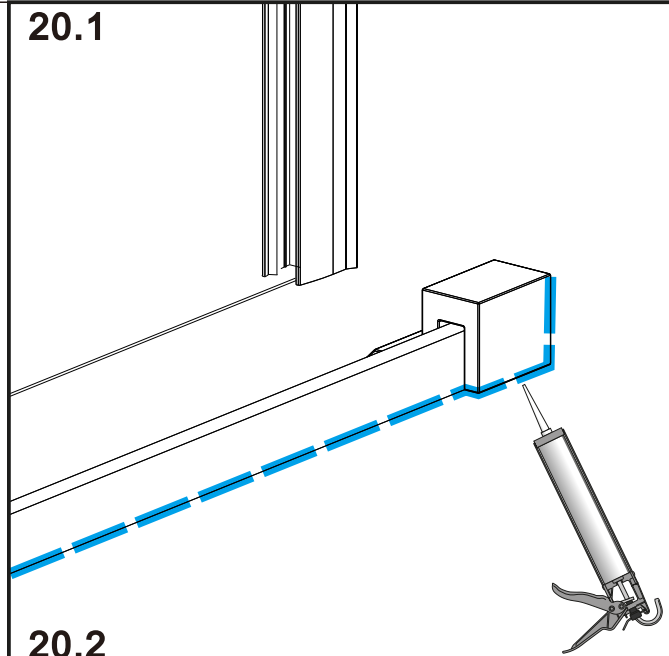
19.3



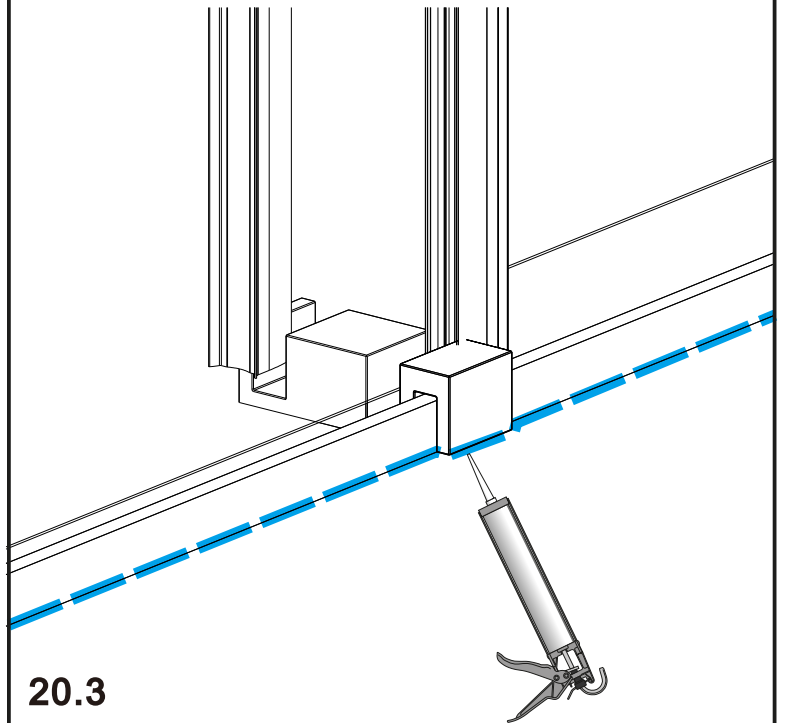
20



20.1



20.2



20.3

