



WSD1G

1-Gallon Syrup Dispenser



1-Gallon Syrup Dispenser



MAIN FEATURES

- 304 stainless steel housing and cover
- Fits a standard 1 gallon syrup container
- Large, ergonomic handle requires limited pressure to pump
- Pump screws directly into syrup container
- Stainless steel drip saucer is removable for easy cleaning
- Container removes from the base
- Base features nonskid feet for safe and stable operation
- All parts are dishwasher-safe
- Built for use with maple and breakfast syrups

SALES FEATURES

With fresh-made waffles in high demand, your operation needs an easy way to dispense syrup. Perfect for front- and back-of-the-house usage, this 1-gallon syrup dispenser is efficient and low maintenance. A long, sure-grip handle pours syrup evenly with a light pump. Built to last, the stainless steel container sits in a sturdy base and features a removable top for easy filling. A stainless steel drip saucer prevents mess.



@waringcommercial

©2020 Waring Commercial
314 Ella T. Grasso Avenue, Torrington, CT 06790
Tel. 800-492-7464 • Fax 860-496-9008

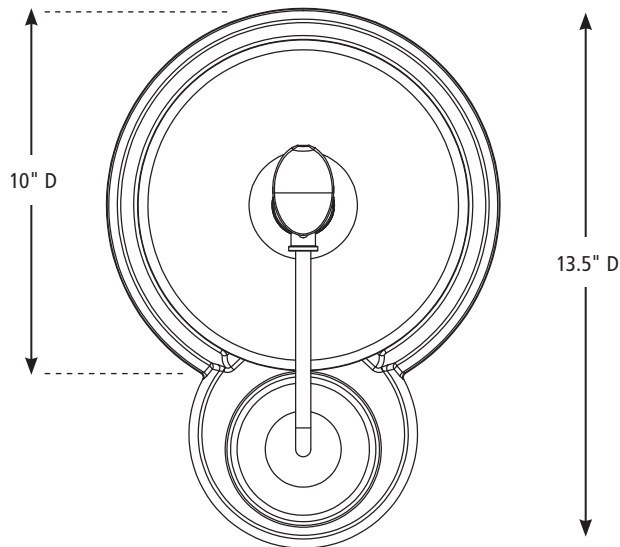
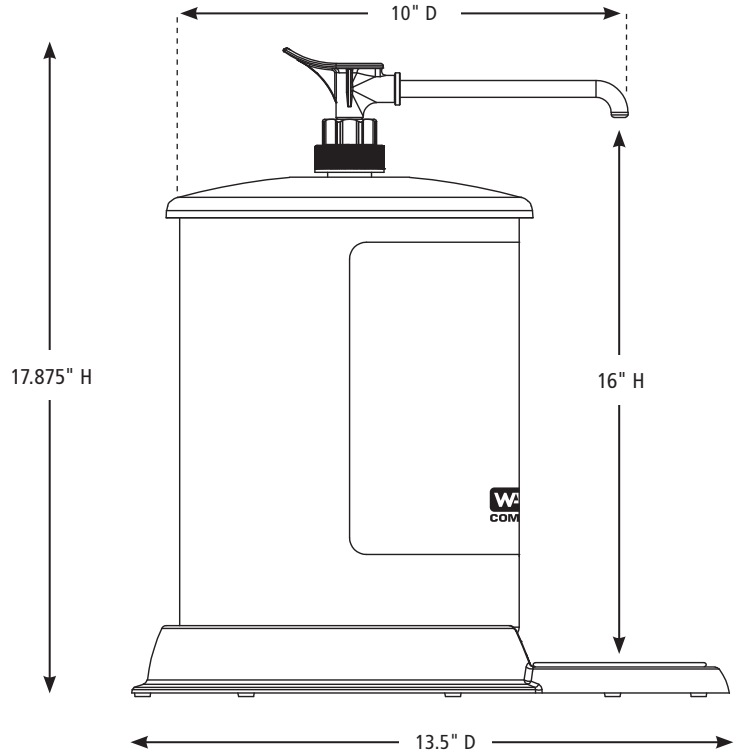
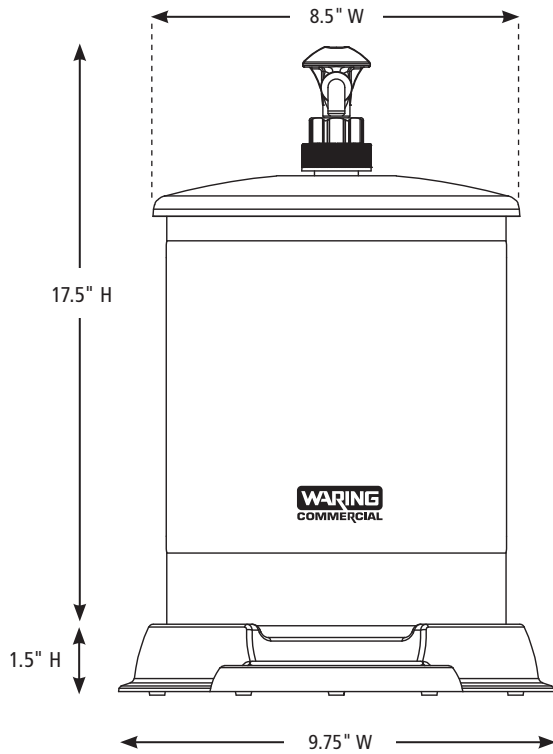
waringcommercialproducts.com

WSD1G



1-Gallon Syrup Dispenser WSD1G

DIMENSIONS



Product weight without syrup: 4 lb.

ORDERING INFORMATION	#STD. PKG.	GIFTBOX WEIGHT	CUBIC FEET	BOX DIMENSIONS D X W X H	UPC	CASE PKG.	MC WEIGHT	MC DIMENSIONS D X W X H	MBC
WSD1G – 1-Gallon Syrup Dispenser	1	6.05	1.279	15.5" x 11.750" x 12.125"	040072091322	1	6.05	15.5" x 11.750" x 12.125"	10040072091329



@waringcommercial

©2020 Waring Commercial
314 Ella T. Grasso Avenue, Torrington, CT 06790
Tel. 800-492-7464 • Fax 860-496-9008

waringcommercialproducts.com

20WC074576 / REV 10/20