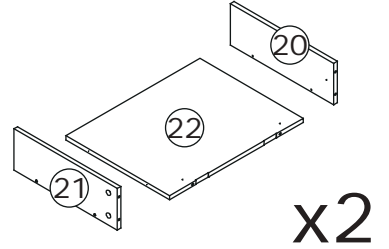
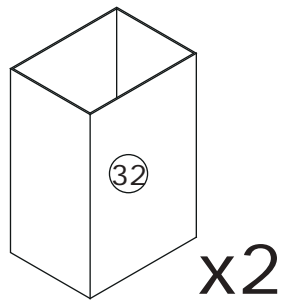
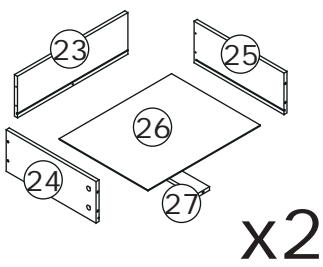
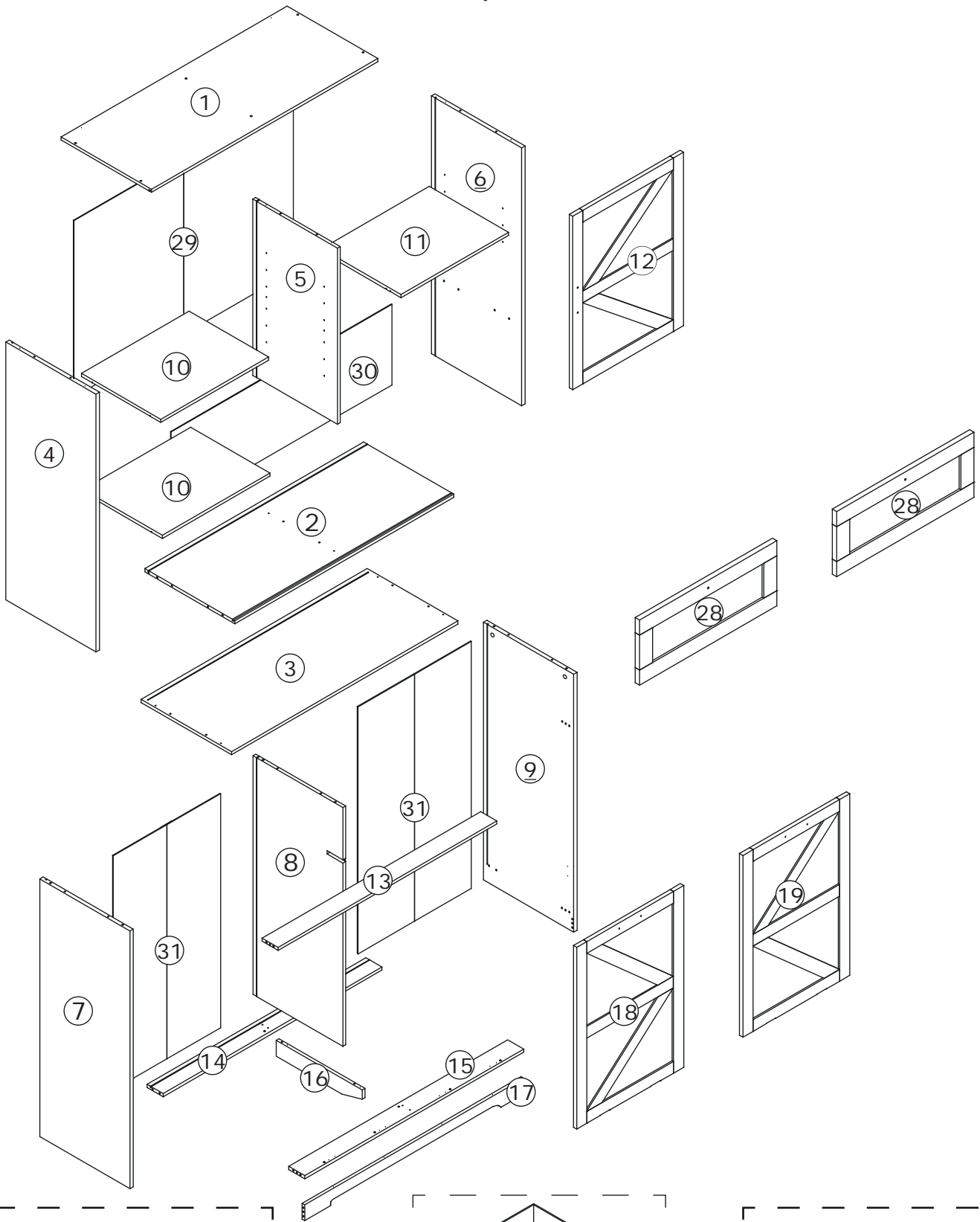
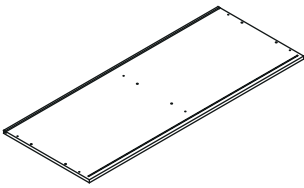
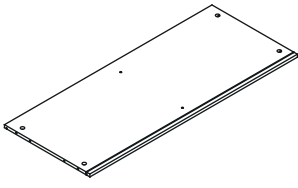
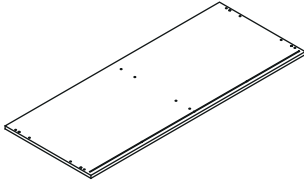
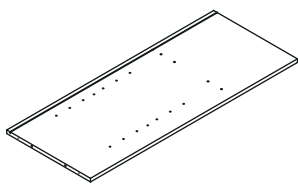
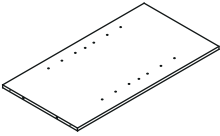
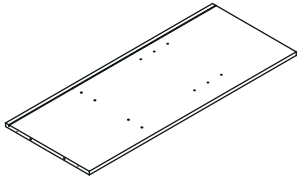
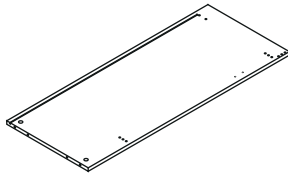
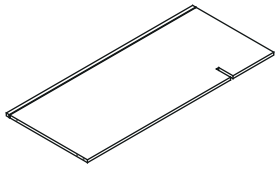
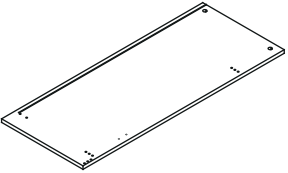
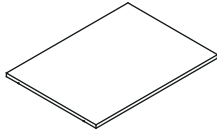
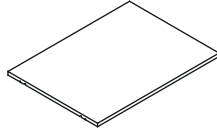
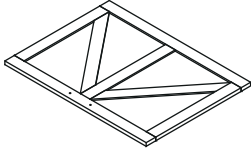
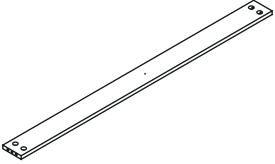
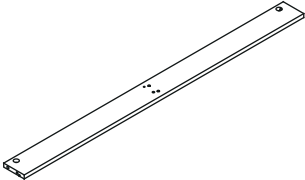
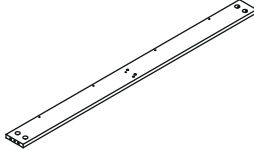
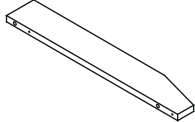
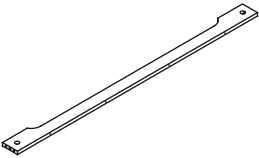
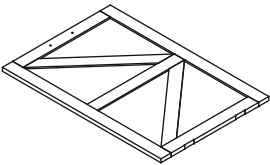
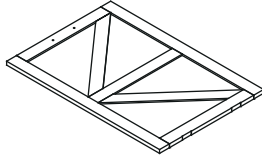
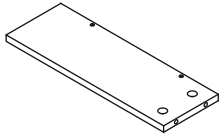
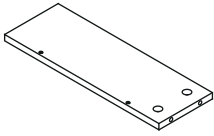
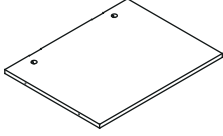
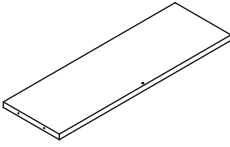
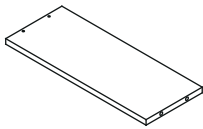


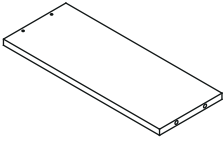
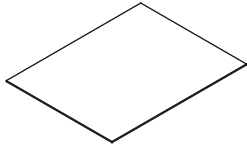
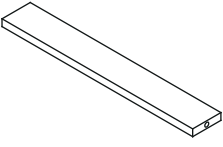
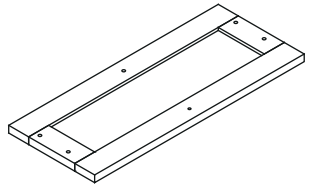
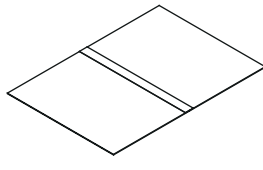
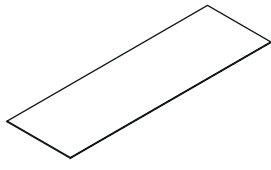
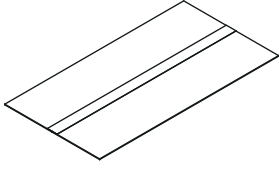
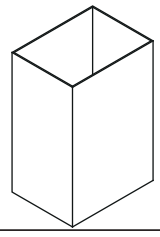
Parts and Operation Elements



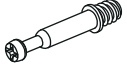







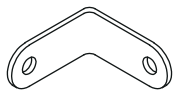
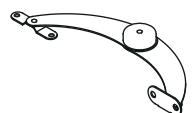

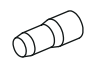
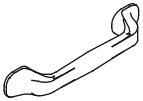


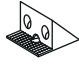


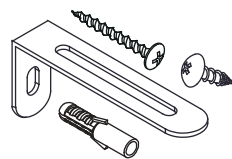

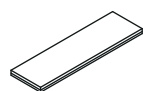

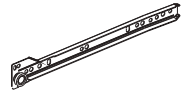
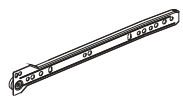
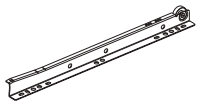

Parts and Operation Elements

			
① 1pc	② 1pc	③ 1pc	④ 1pc
			
⑤ 1pc	⑥ 1pc	⑦ 1pc	⑧ 1pc
			
⑨ 1pc	⑩ 2pcs	⑪ 1pc	⑫ 1pc
			
⑬ 1pc	⑭ 1pc	⑮ 1pc	⑯ 1pc
			
⑰ 1pc	⑱ 1pc	⑲ 1pc	⑳ 2pcs
			
㉑ 2pcs	㉒ 2pcs	㉓ 2pcs	㉔ 2pcs

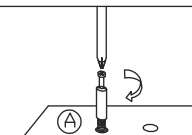
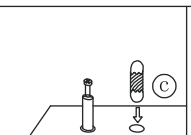
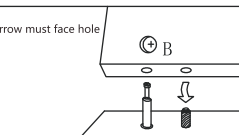
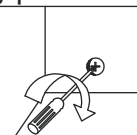
Parts and Operation Elements

			
25 2pcs	26 2pcs	27 2pcs	28 2pcs
			
29 1pc	30 1pc	31 2pcs	32 2pcs

Hardware

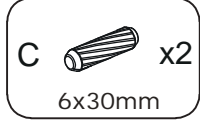
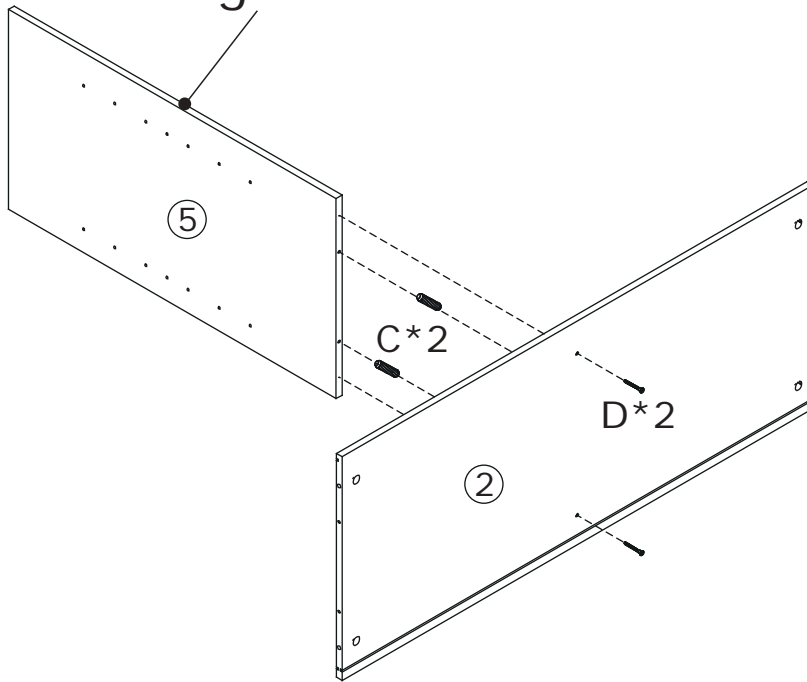
 Cam Bolt	 15x10mm Cam Lock	 Ø6x30mm Dowel	 5x40mm Screw
(A) 44pcs +2pcs	(B) 44pcs +2pcs	(C) 34pcs +2pcs	(D) 12pcs +2pcs
		 M4x35mm Screw	 M3x12mm Screw
(E) 2pcs	(F) 2pcs	(G) 18pcs +2pcs	(H) 70pcs +2pcs
			
(J) 9pcs +2pcs	(K) 4pcs	(L) 4pcs	(M) 12pcs +2pcs
	 Ø 4 x 20 mm		
(N) 3pcs	(P) 8pcs +2pcs	(Q) 2pcs	(R) 42pcs +2pcs
 3x14mm Screw			
(S) 58pcs +2pcs	(T) 2pcs	(V) 2pcs	(W) 44pcs +2pcs
	 M4x40mm Screw	 350mm	 350mm
(X) 8pcs +2pcs	(Y) 10pcs +2pcs	(CL) 2pcs	(CR) 2pcs
 350mm	 350mm		
(DL) 2pcs	(DR) 2pcs		

General instructions to assemble connecting pieces

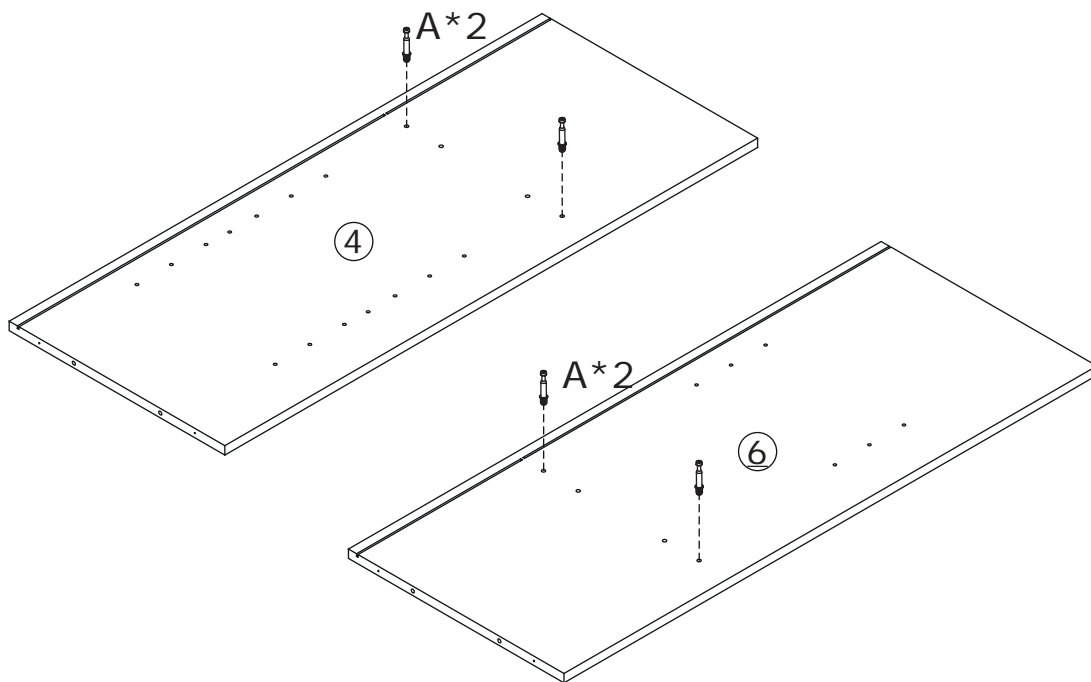
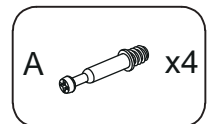
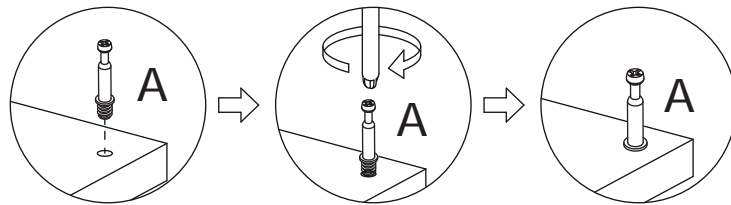
			
Gently screw cam bolt into the threaded anchor.	Insert the wood dowel halfway into hole	Arrow must face hole	Screw the camlock firmly into locked position.

1

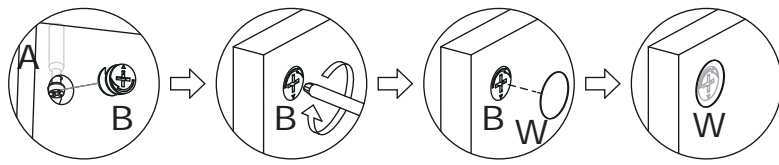
Edge-sealed noodles






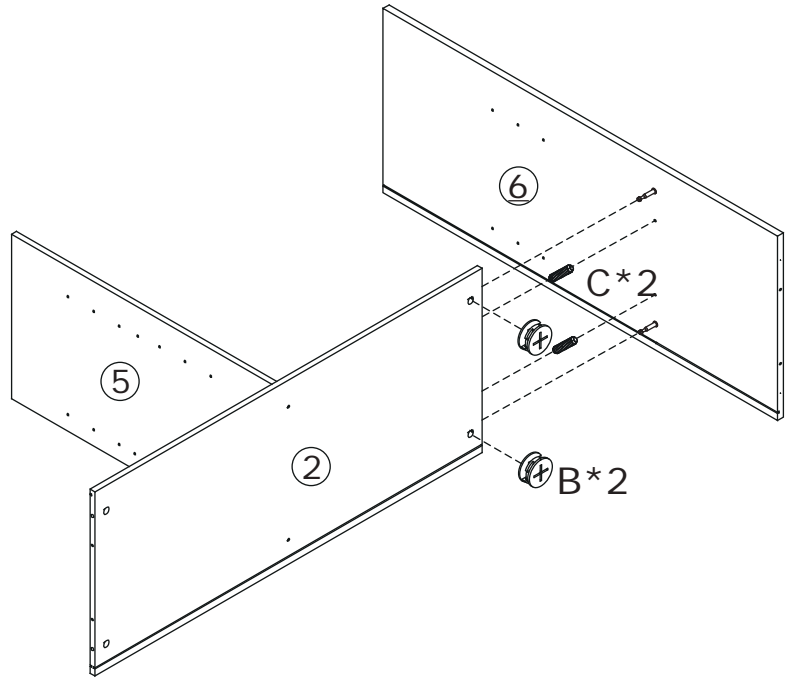
2



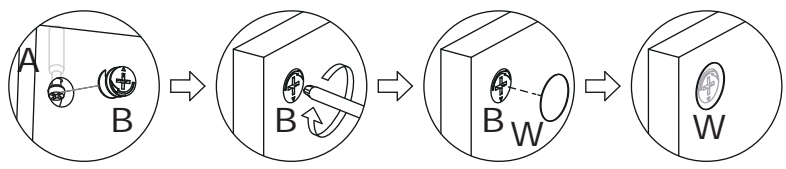
3






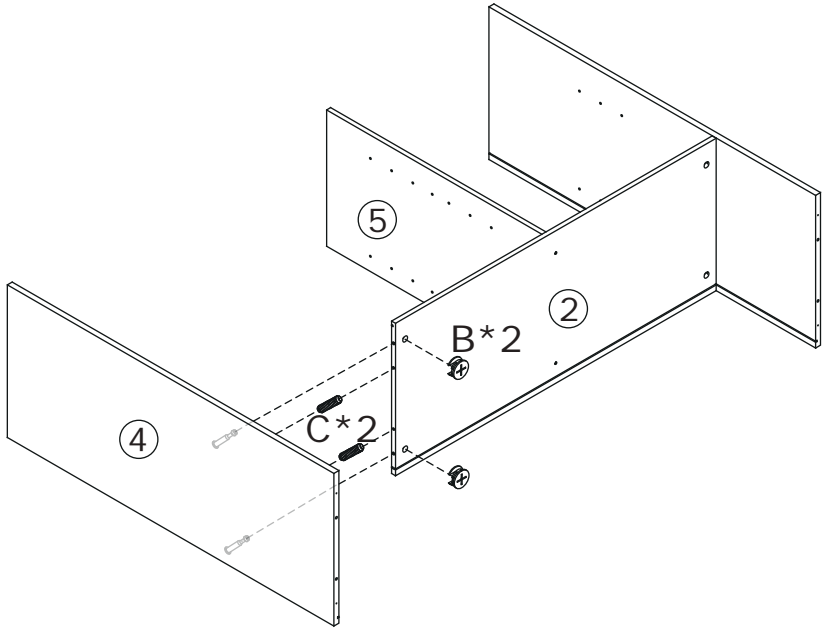
- B  x2
15x10mm
- C  x2
6x30mm
- W  x2



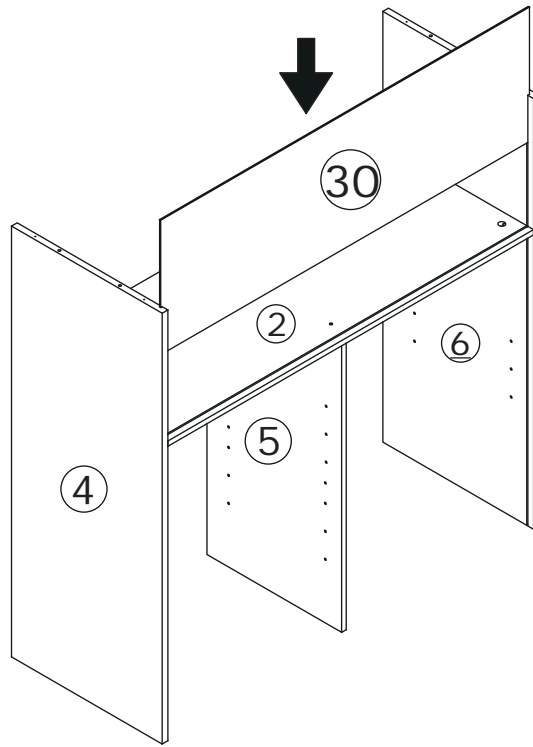
4



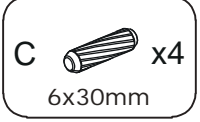
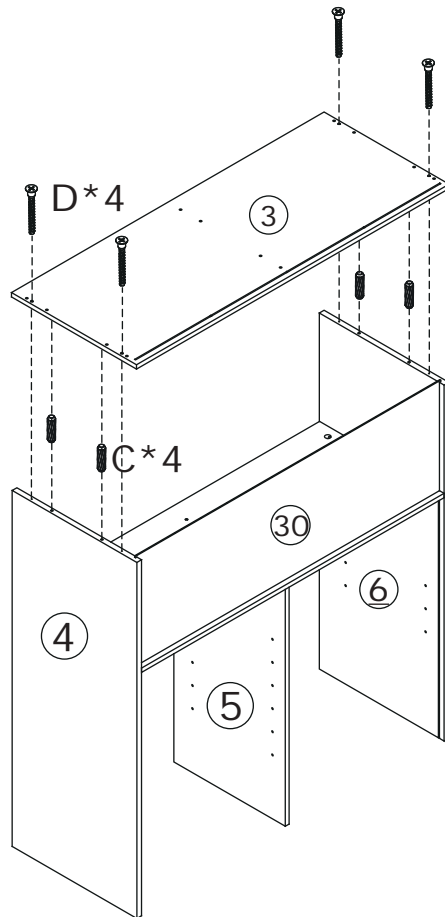
- B  x2
15x10mm
- C  x2
6x30mm
- W  x2



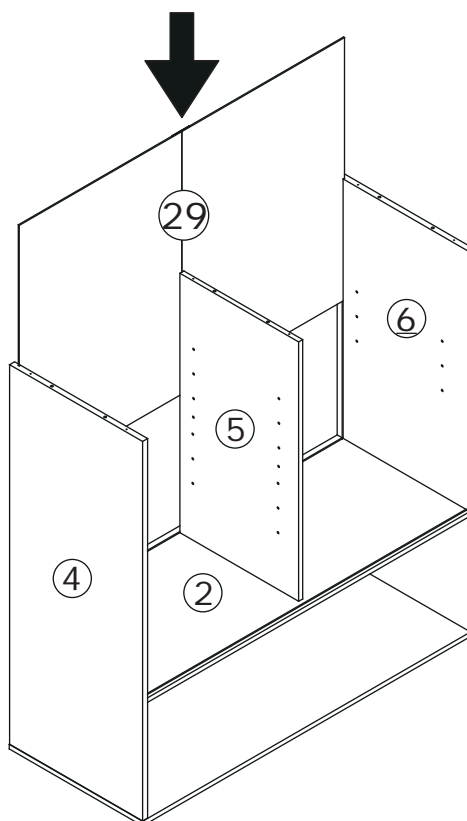
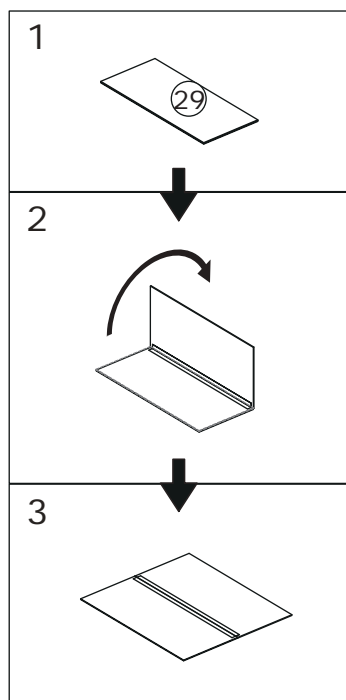
5



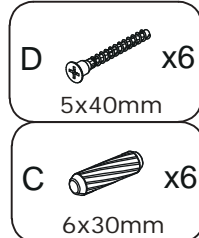
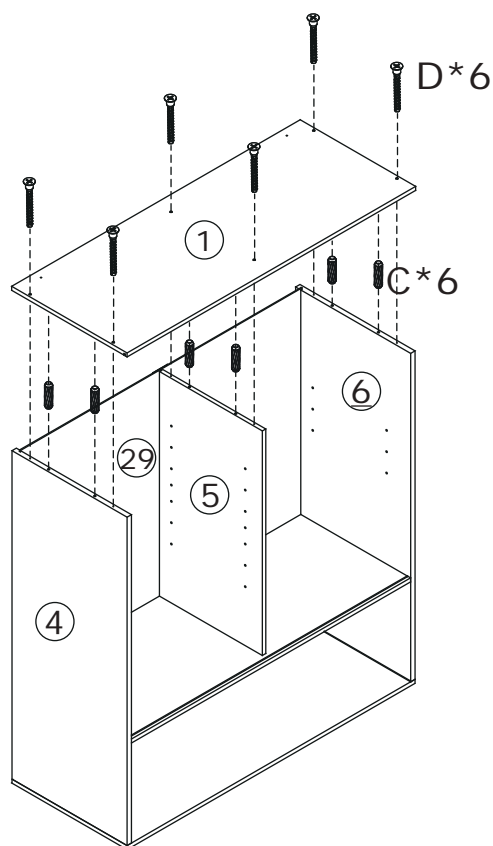
6



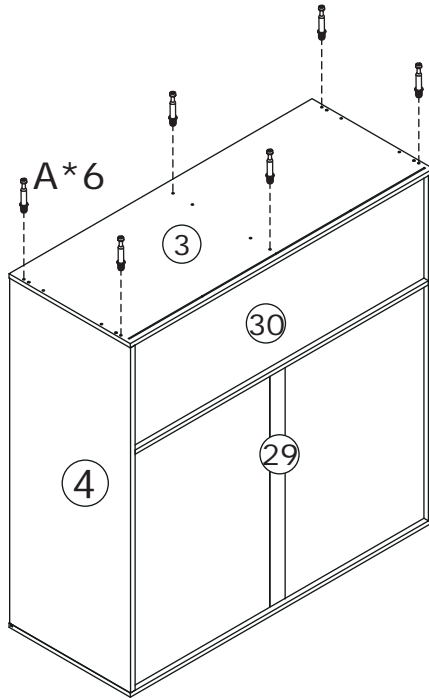
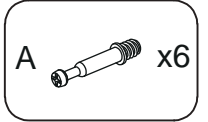
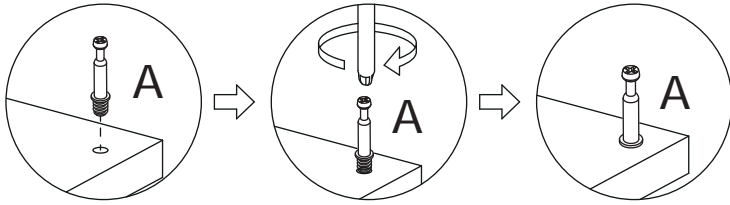
7



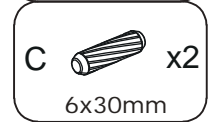
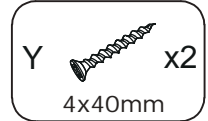
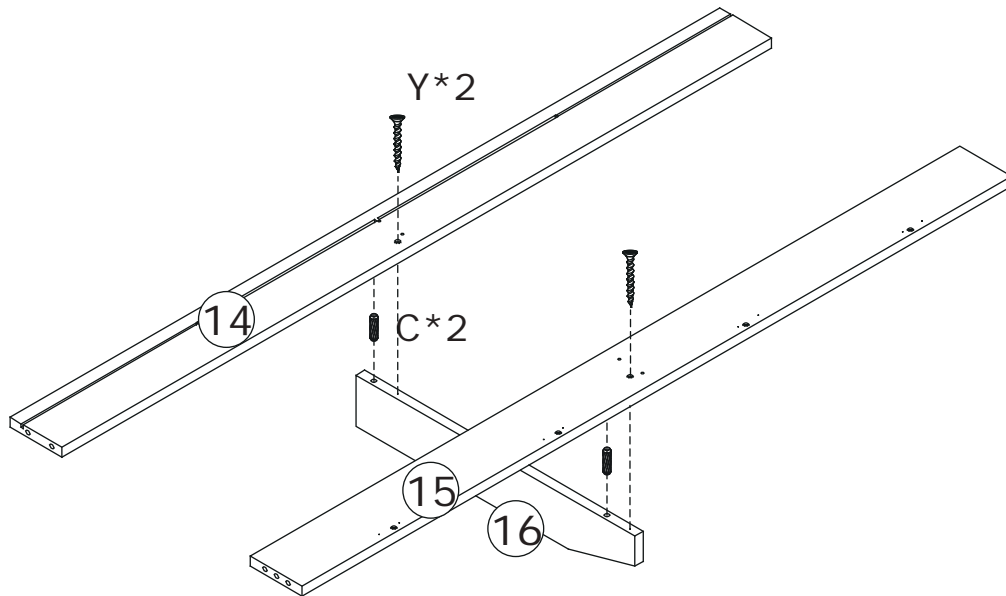
8




9




10

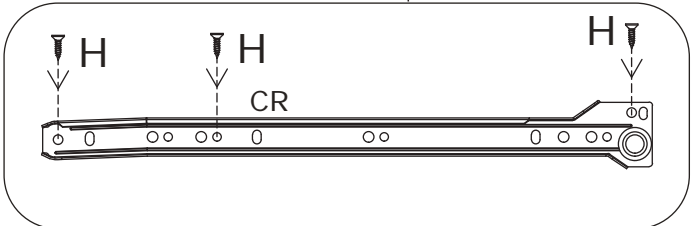
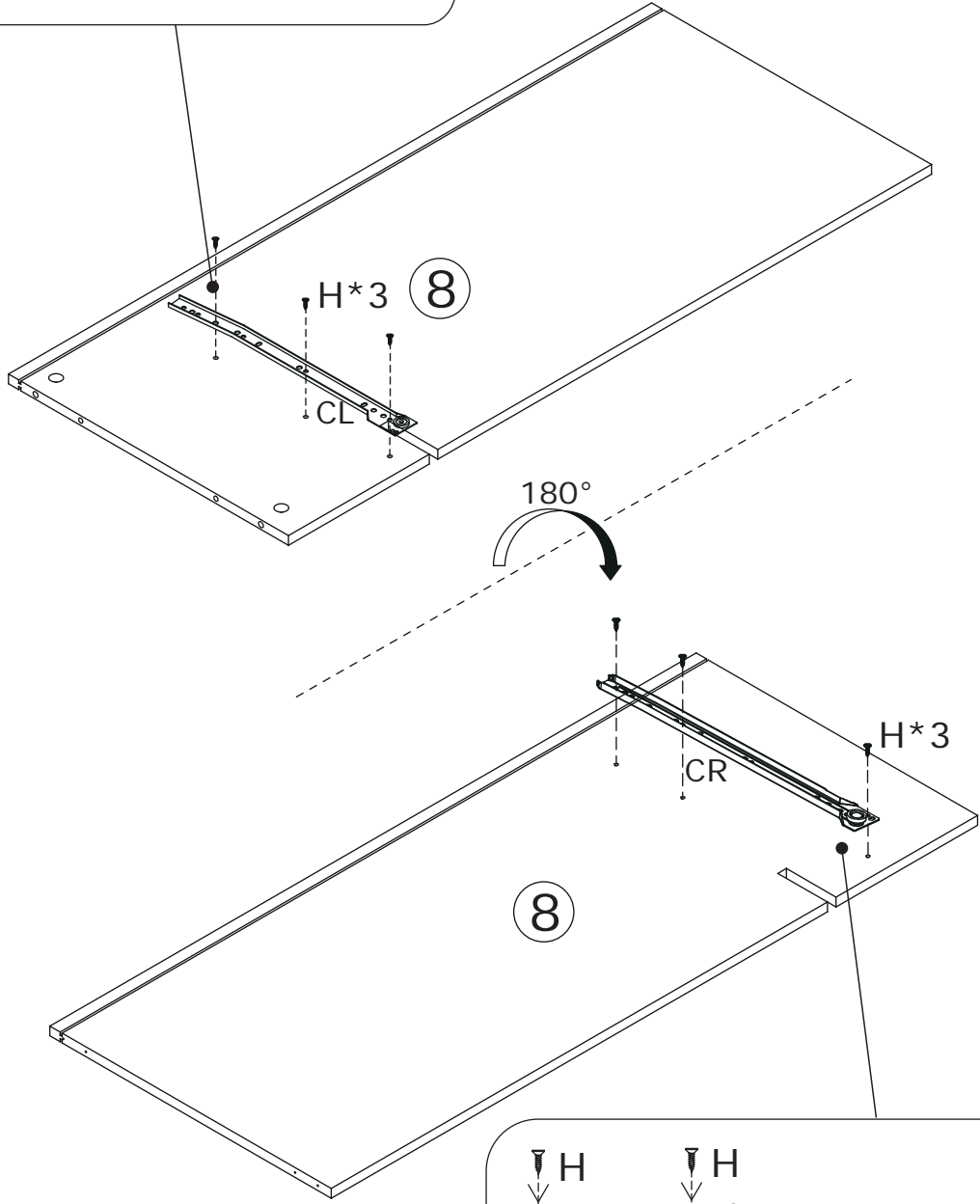
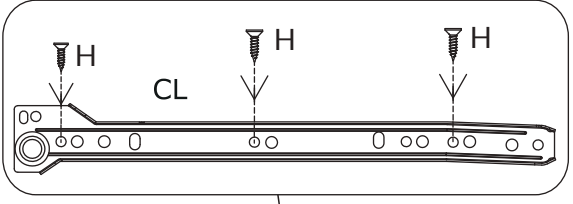


11


H  x6
3x12mm

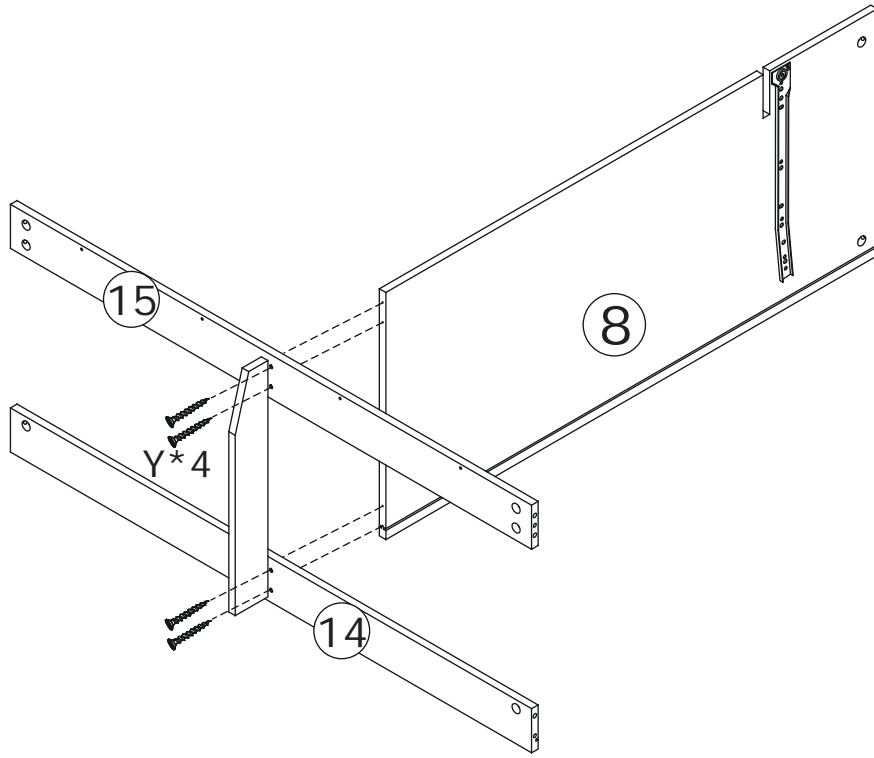
 CL x 1

 CR x 1





12


Y  x4
4x40mm

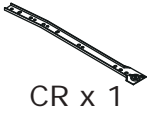


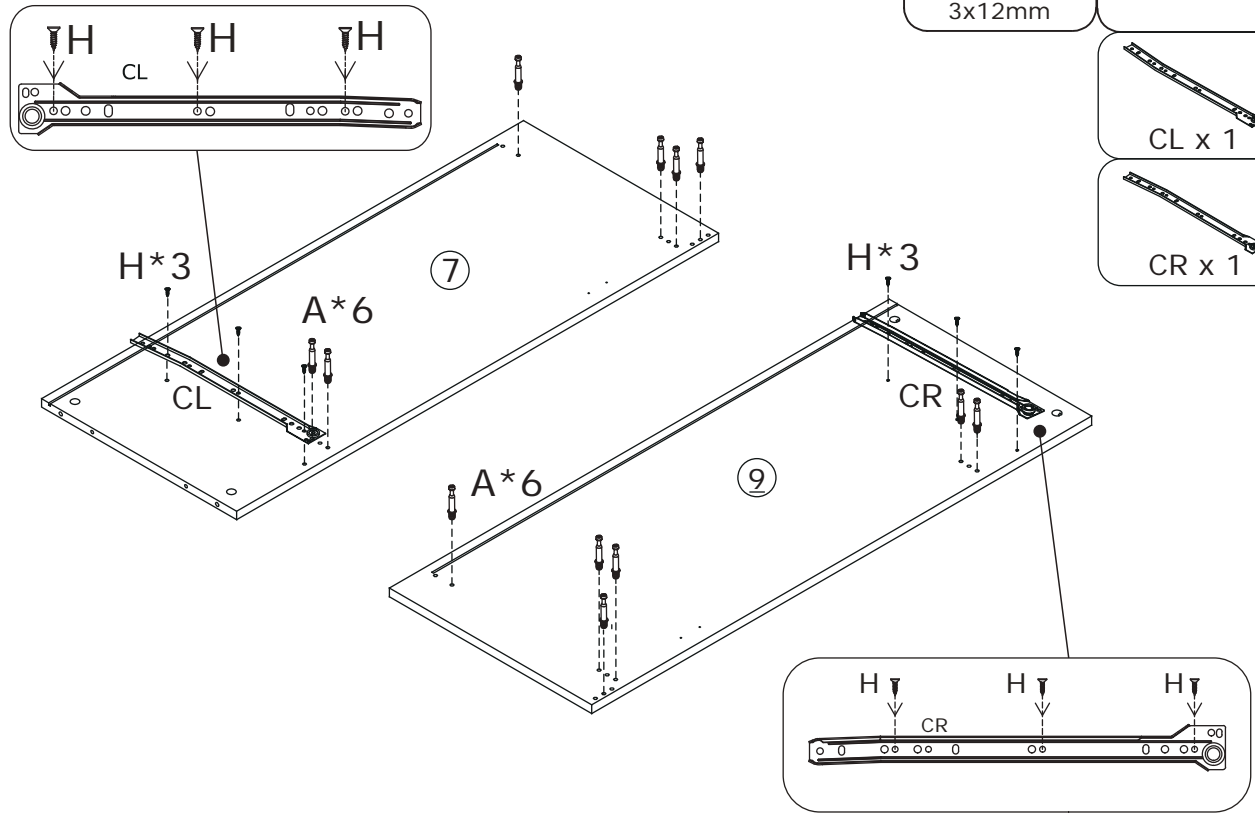
13

H  x6
3x12mm

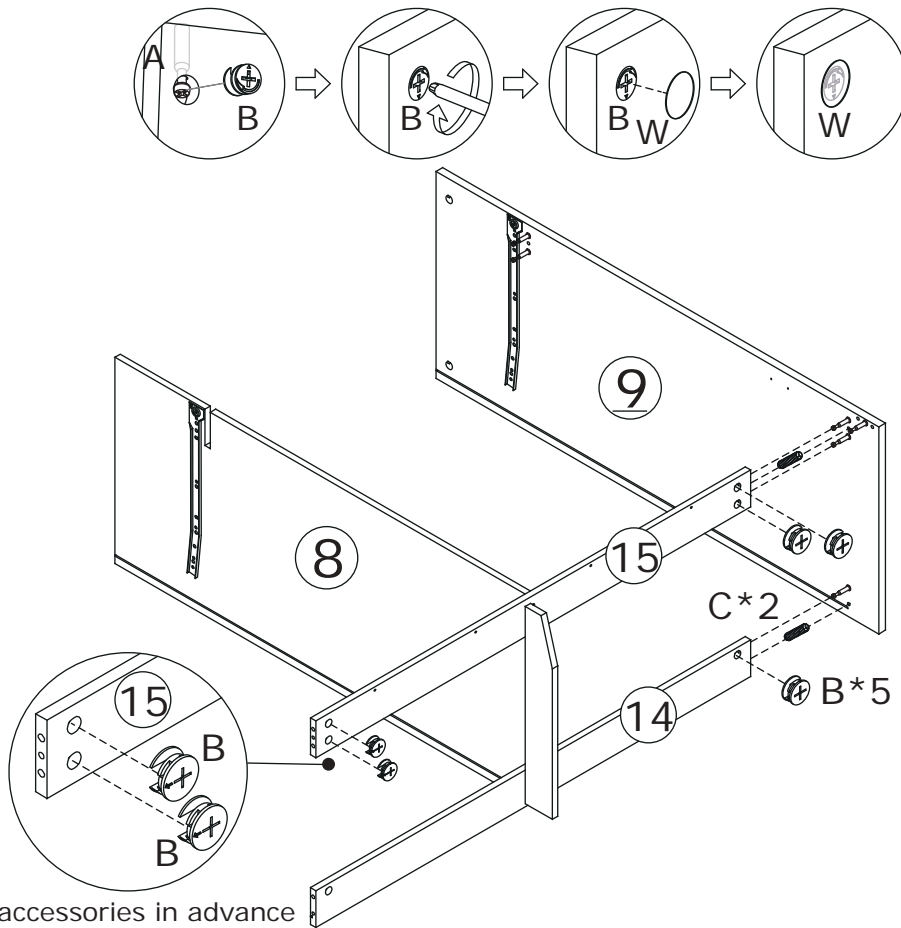
A  x12




CL  x 1

CR  x 1



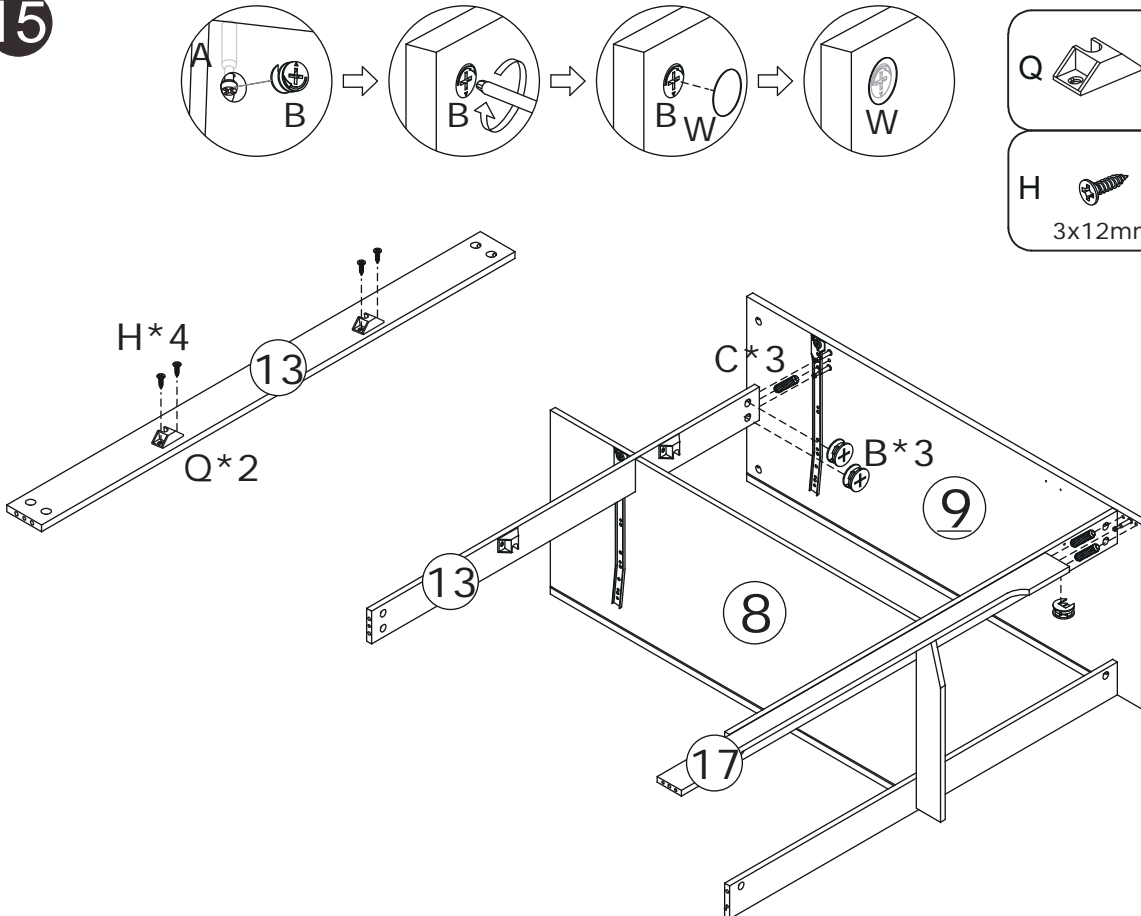
14








- B  x5
15x10mm
- C  x2
6x30mm
- W  x3

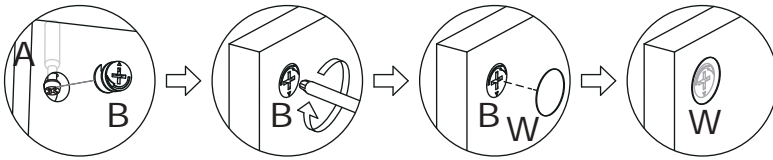
Put in B accessories in advance




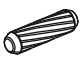

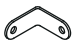
15

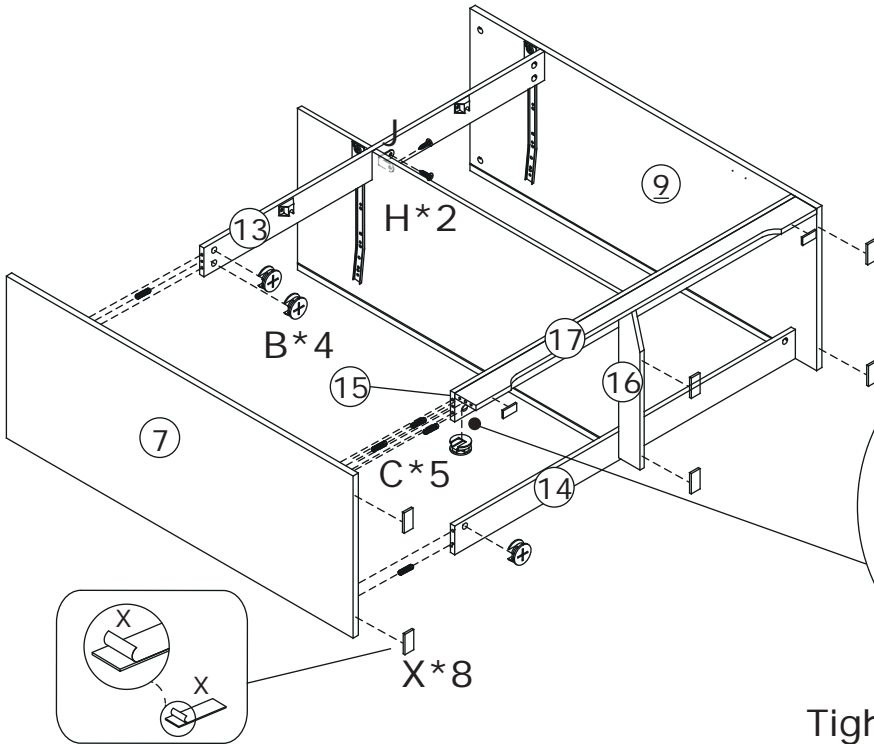


- Q  x2
- B  x3
15x10mm
- H  x4
3x12mm
- C  x3
6x30mm
- W  x3

16

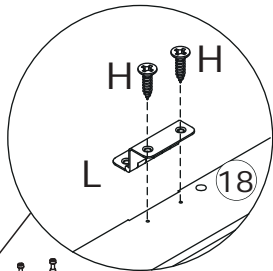



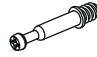





- H  x2
3x12mm
- B  x4
15x10mm
- X  x8
- C  x5
6x30mm
- W  x6
- J  x1

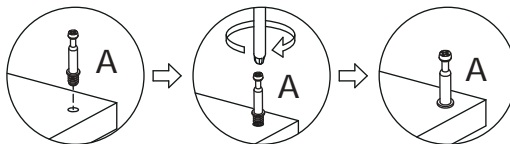
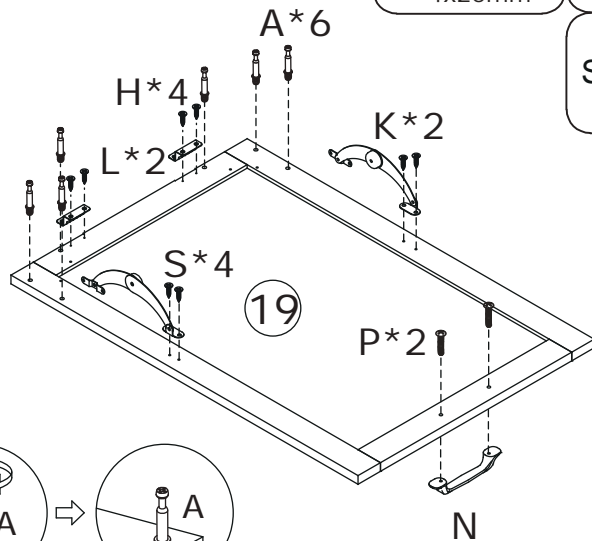
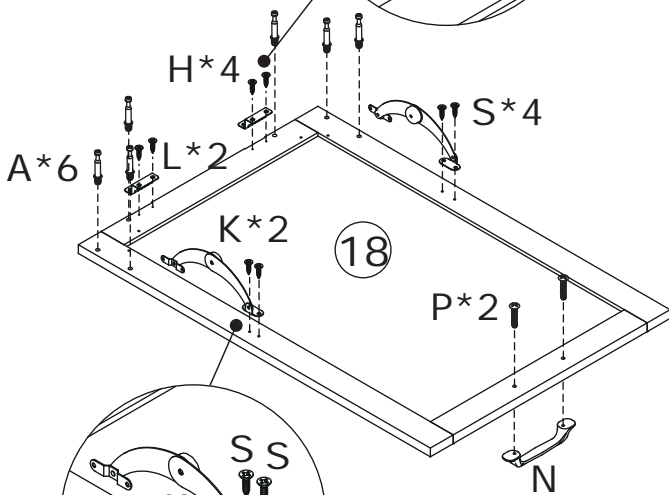


Tighten the B accessories.

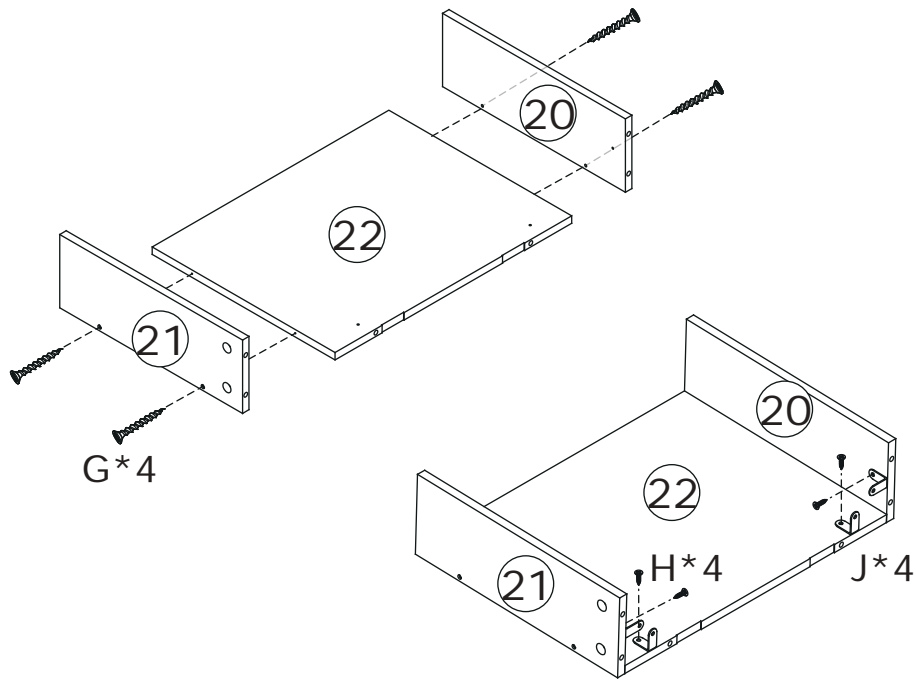
17




- L  x4
- A  x12
- N  x2
- H  x8
3x12mm
- P  x4
4x20mm
- K  x4
- S  x8
3x14mm

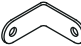


18



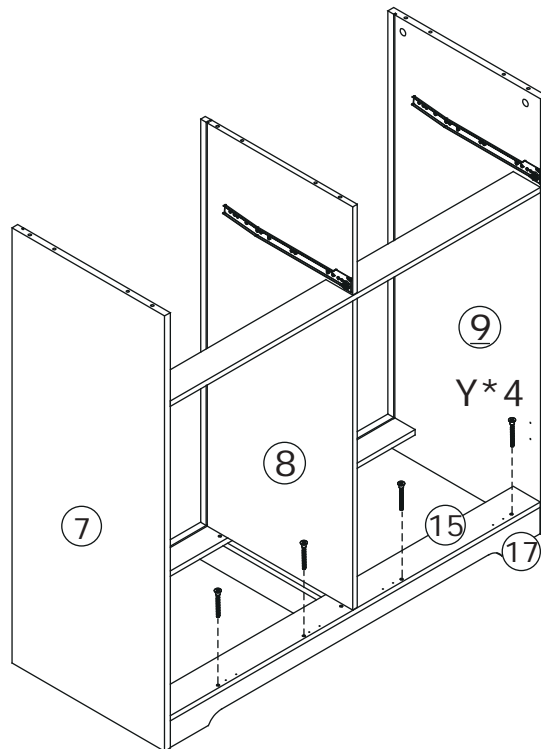
G  x8
4x35mm

H  x8
3x12mm

J  x8

x2

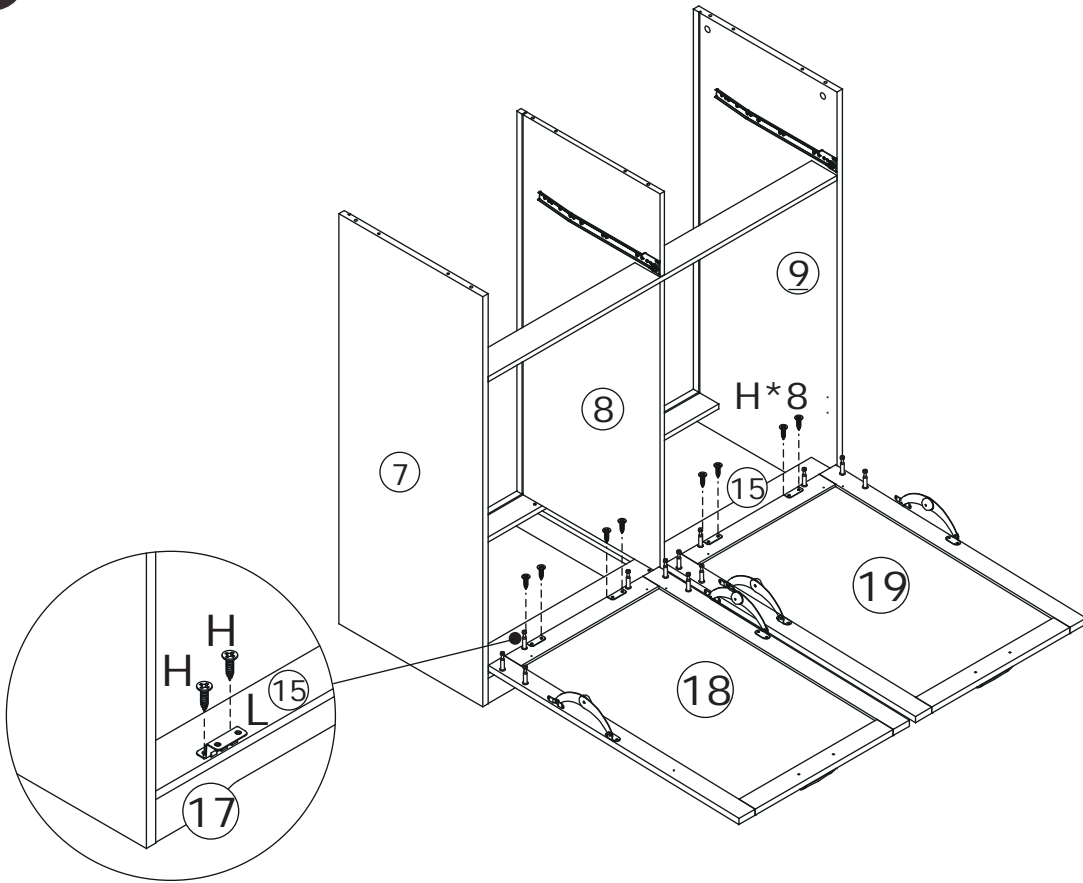
19



Y  x4
4x40mm

20

H  x8
3x12mm

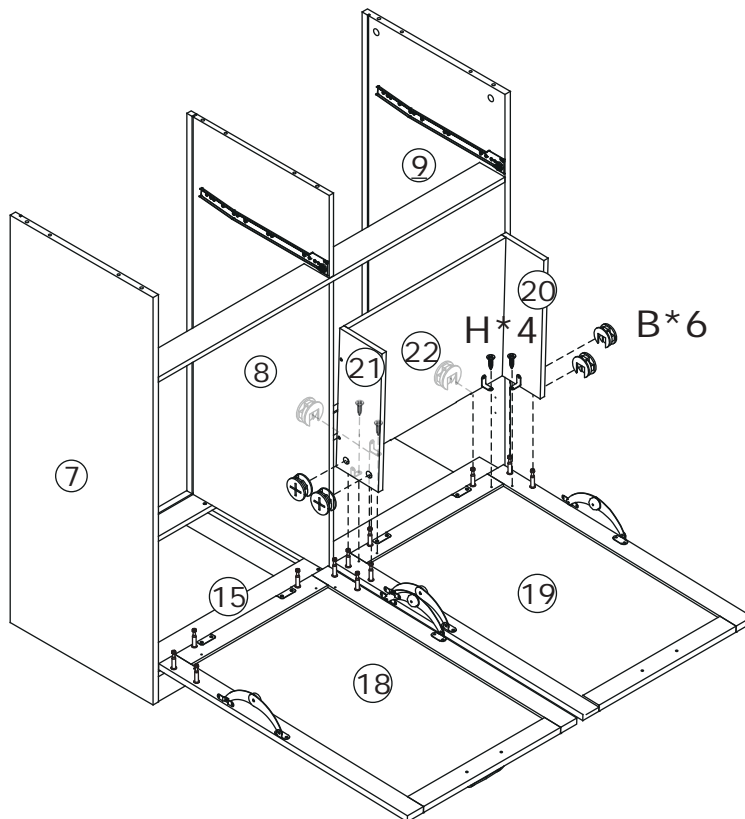
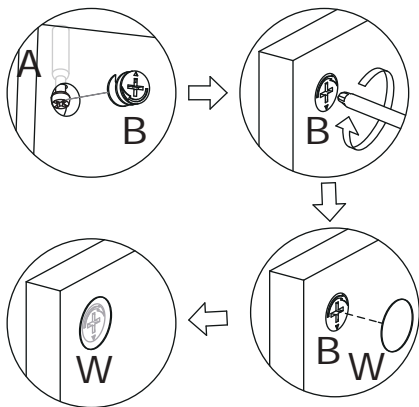


21

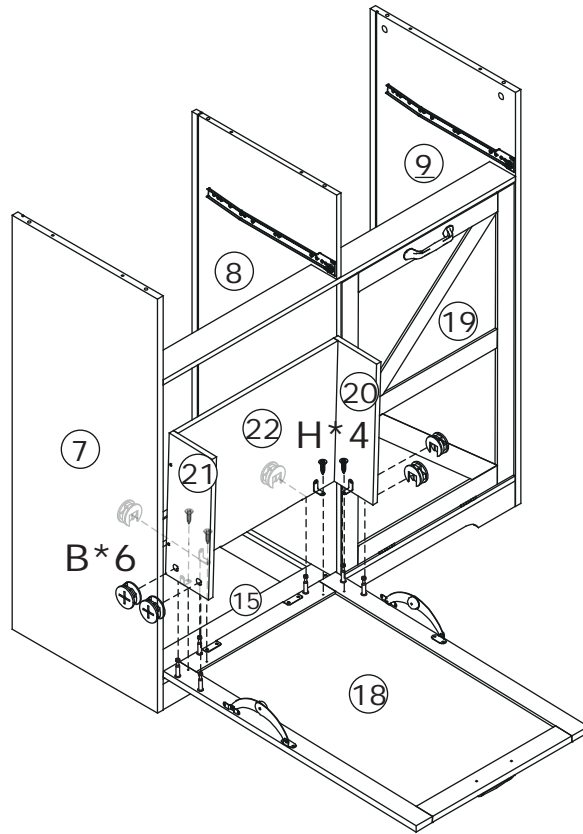
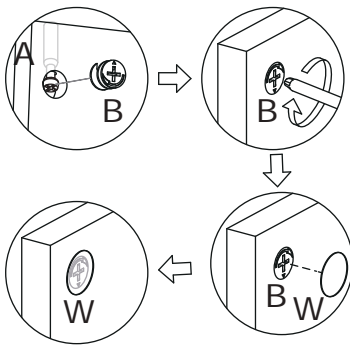
B  x6
15x10mm




W  x6

H  x4
3x12mm

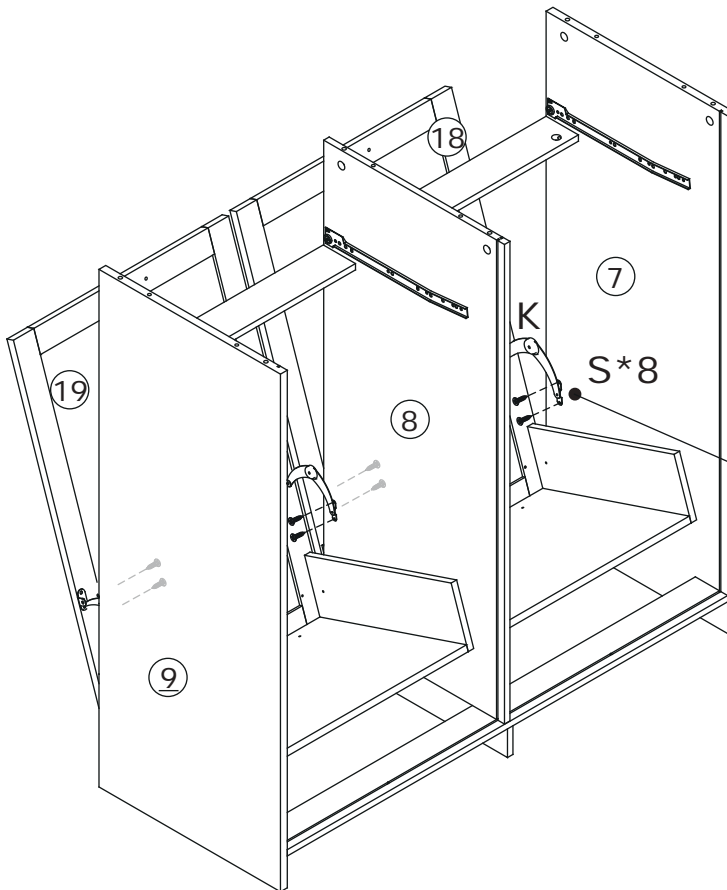



22

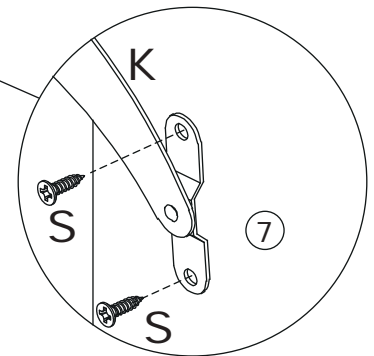


- B  x6
15x10mm
- W  x6
- H  x4
3x12mm

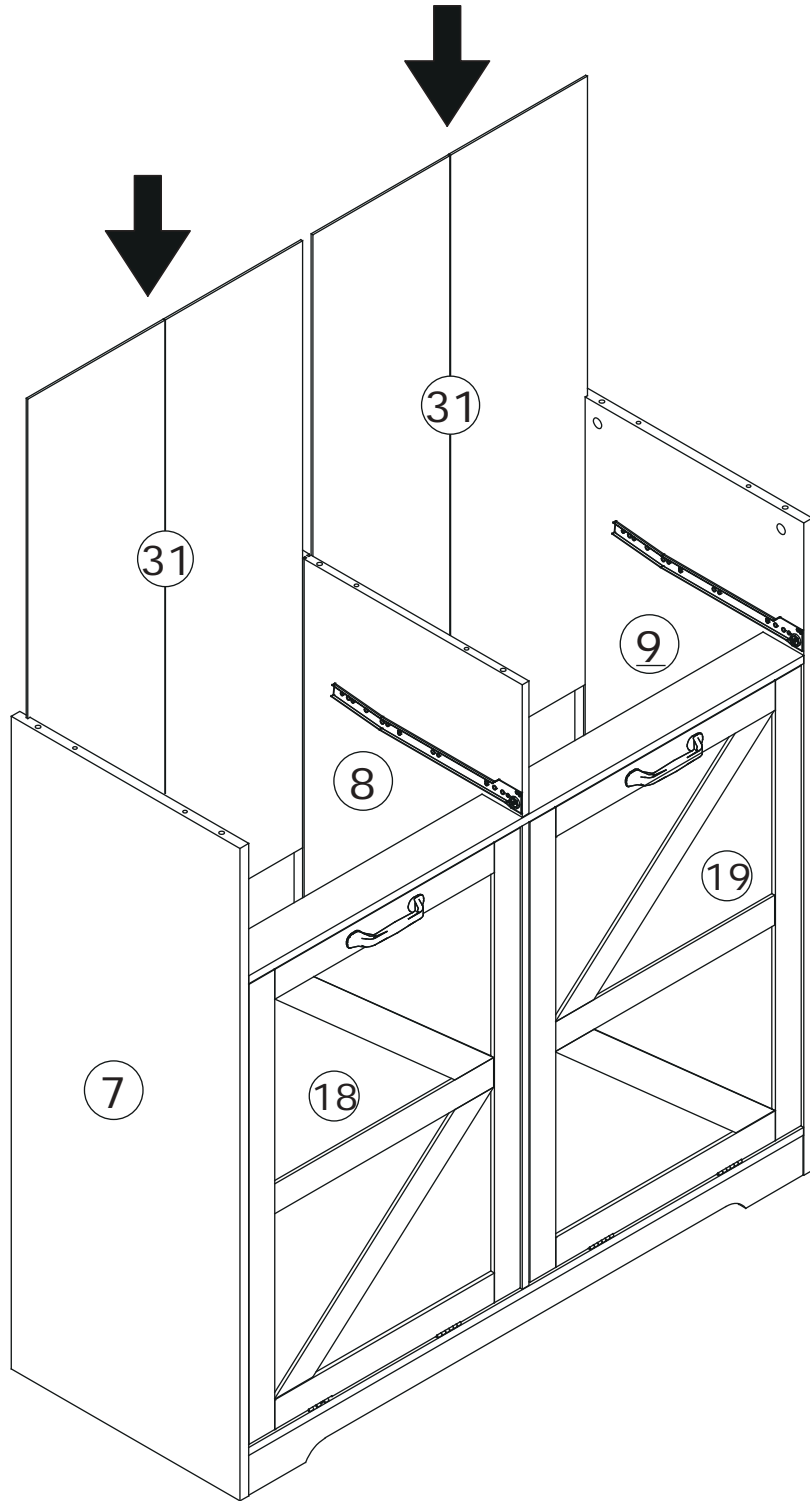
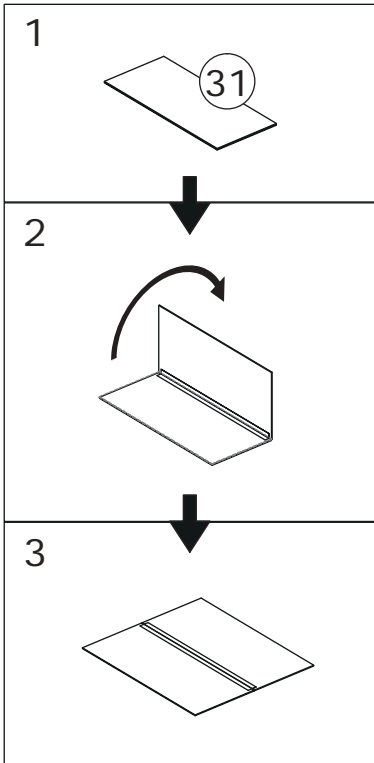
23



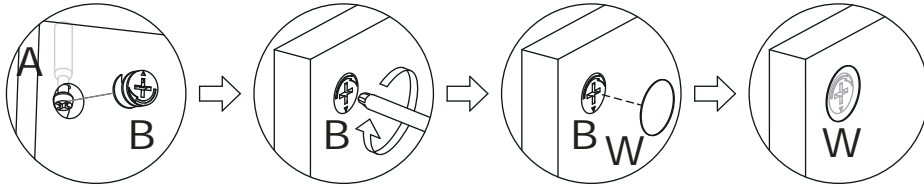
- S  x8
3x14mm


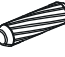



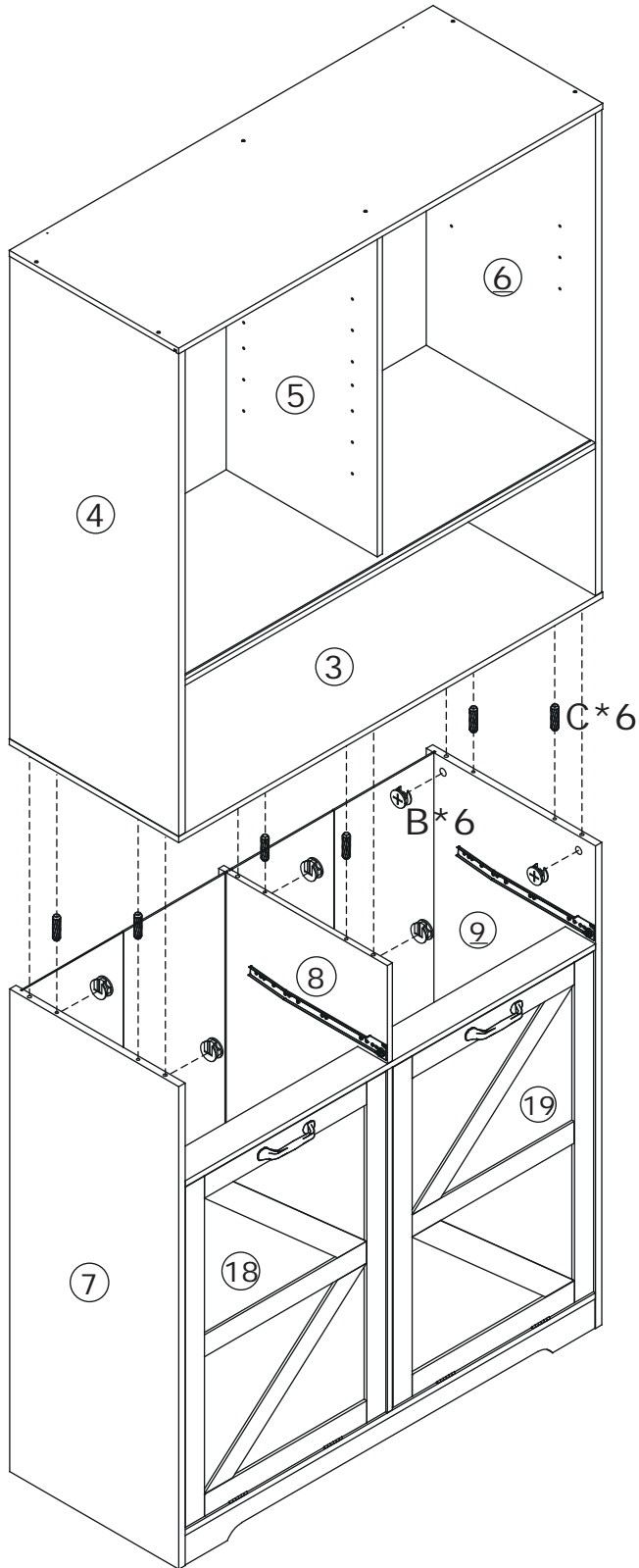
24




25

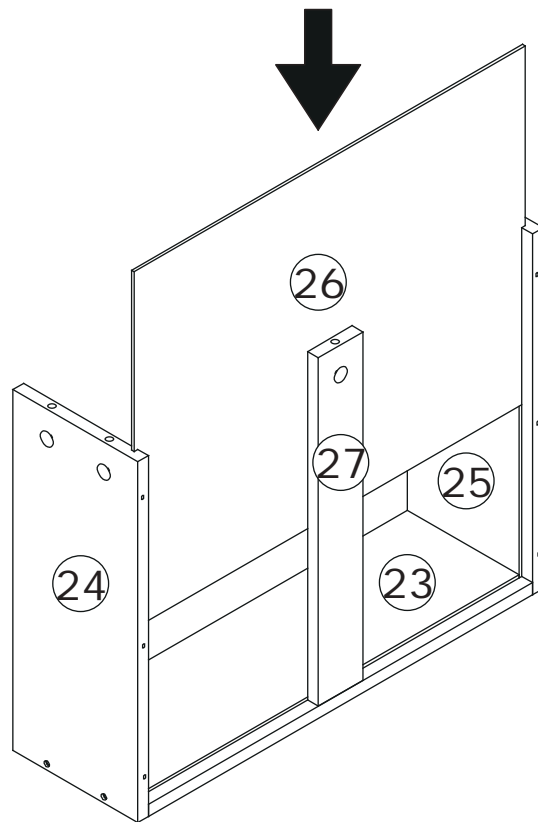
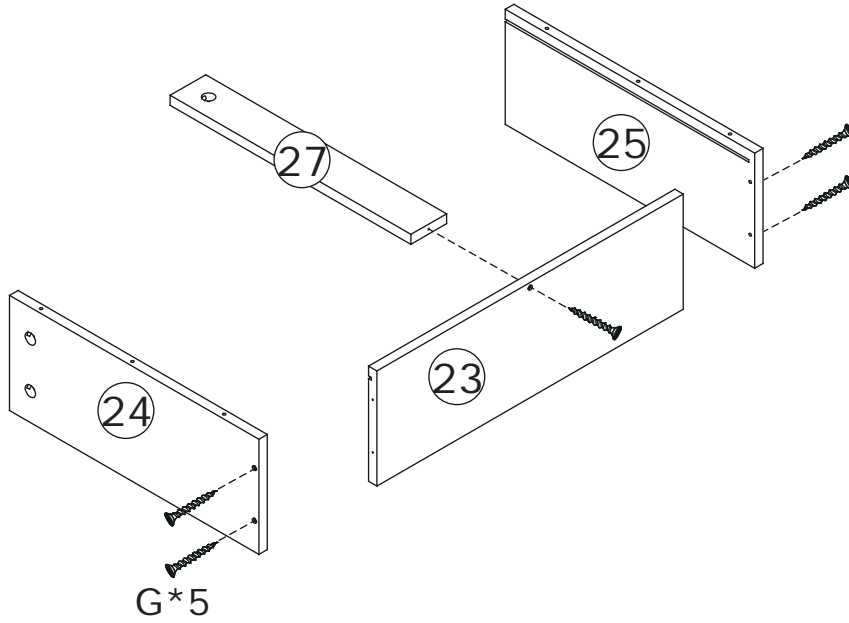


- B  x6
15x10mm
- C  x6
6x30mm
- W  x6



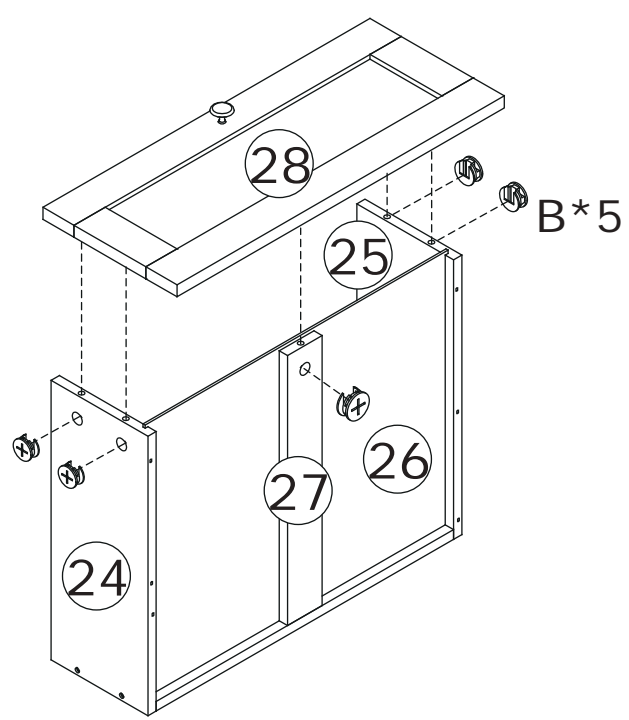
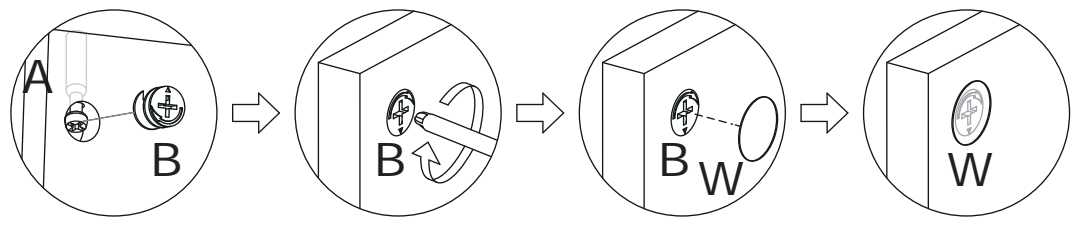
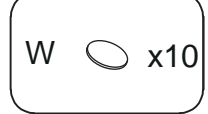
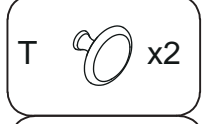
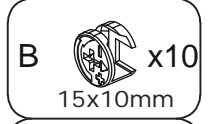
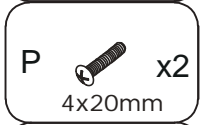
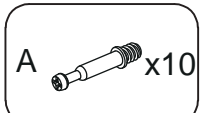
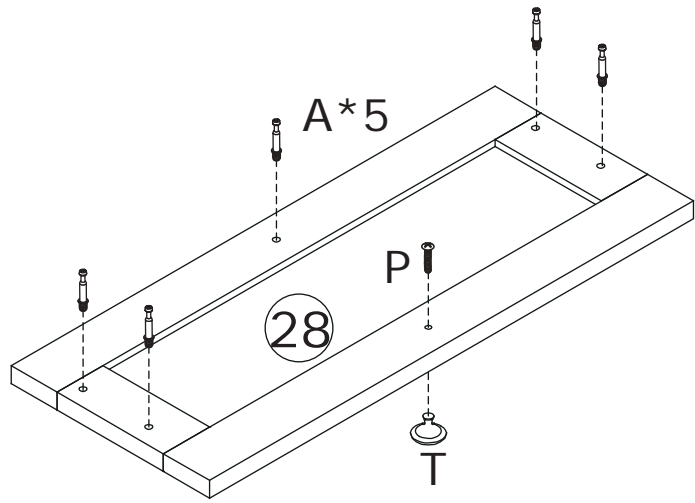
26

G  x10
4x35mm



x2


27




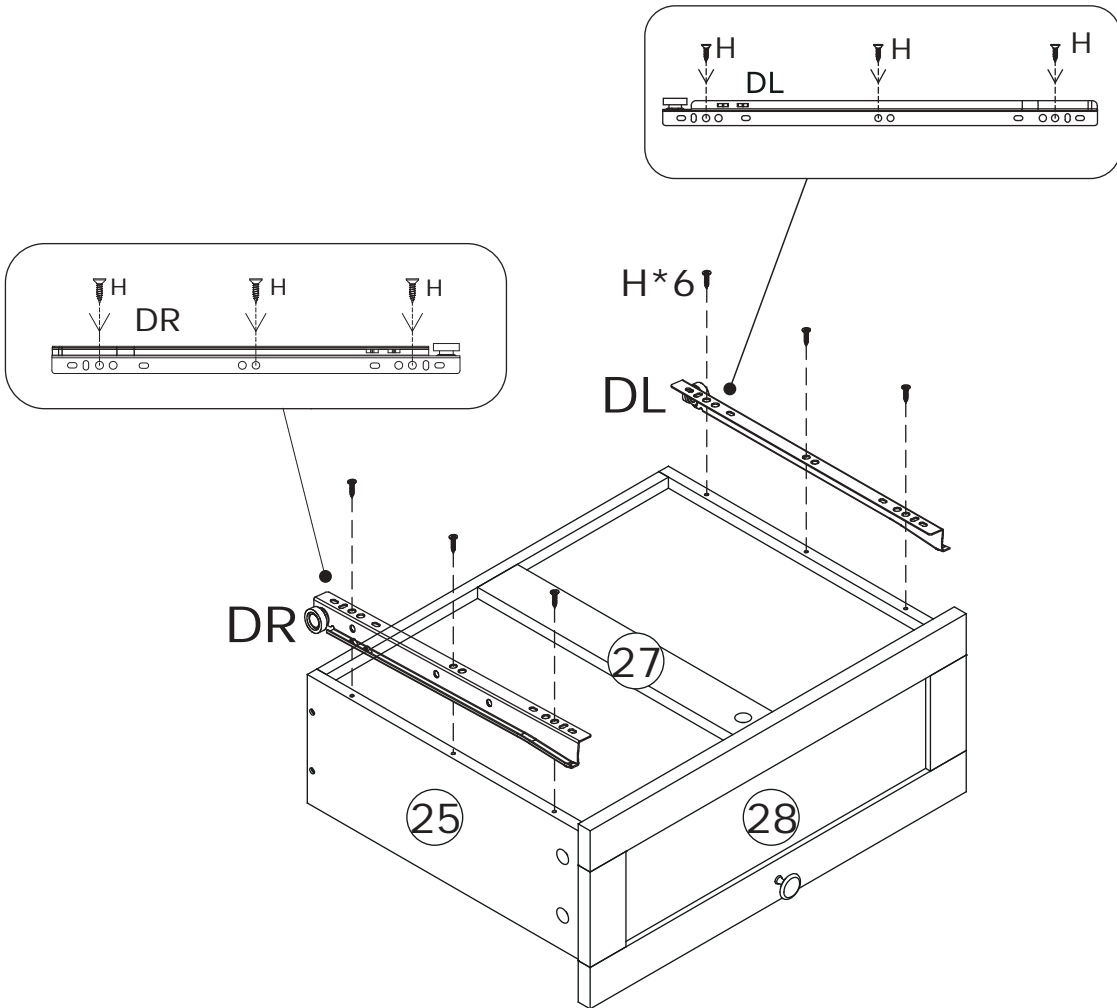
x2

28

H  x12
3x12mm

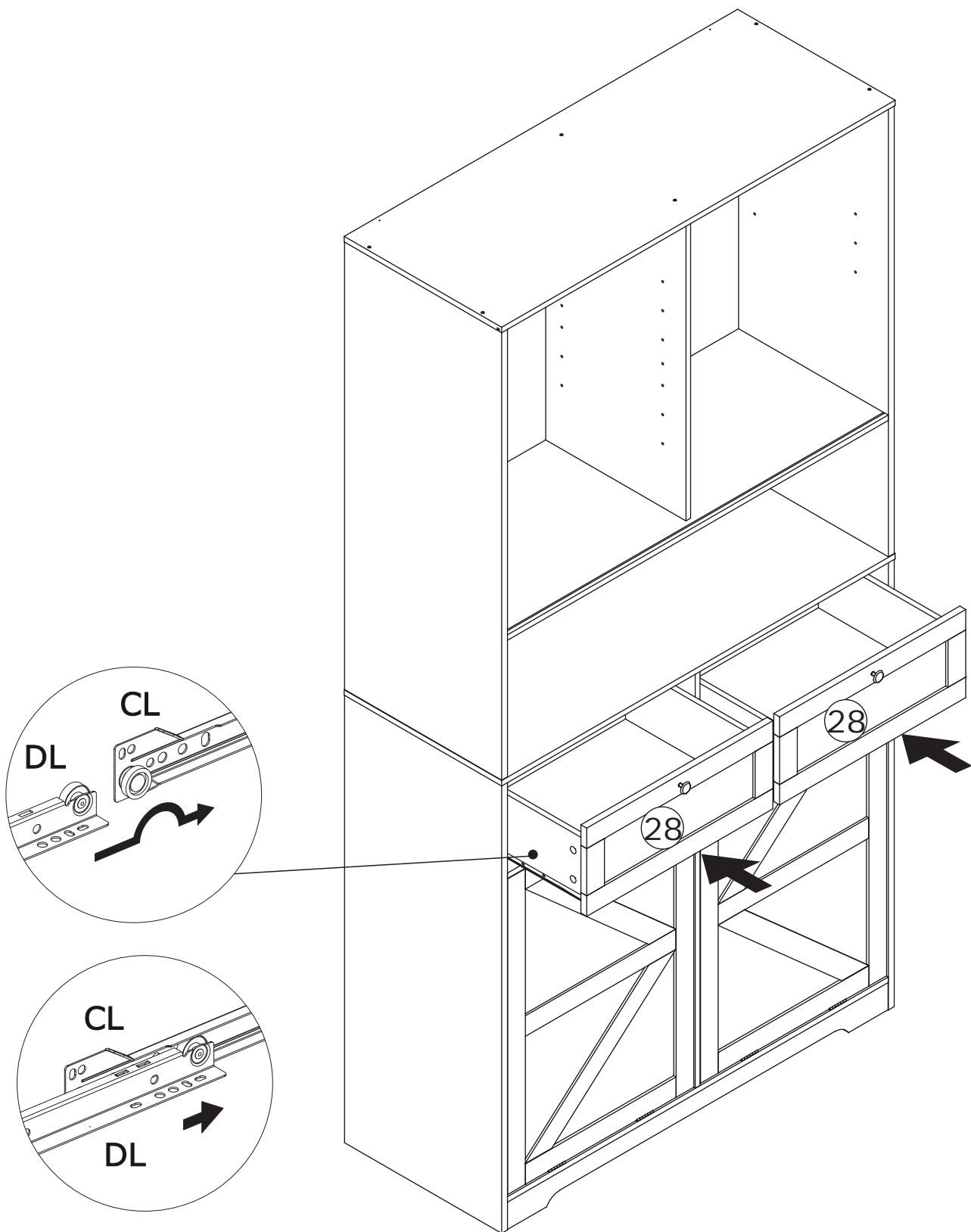

DL x 2


DR x 2

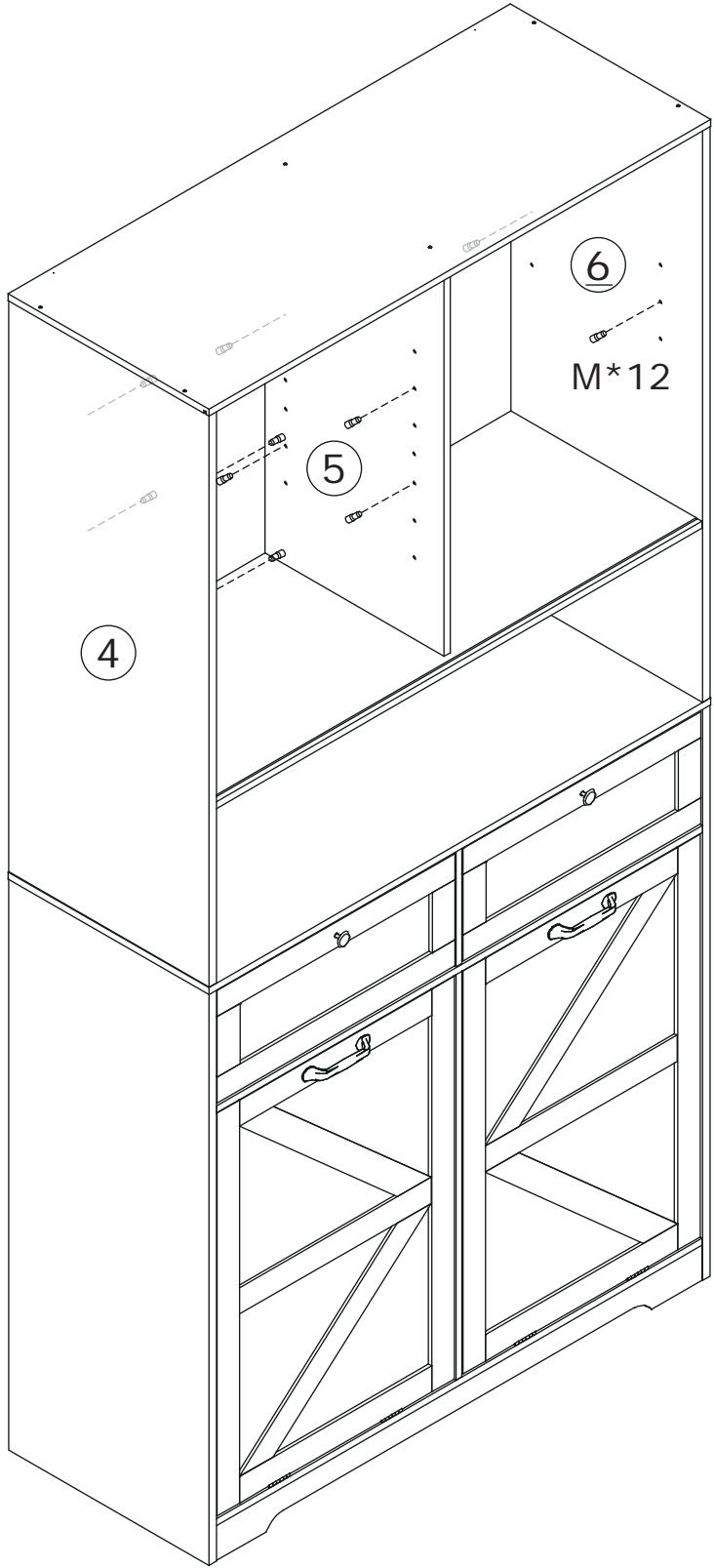
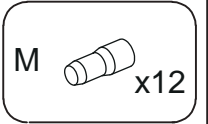


x2

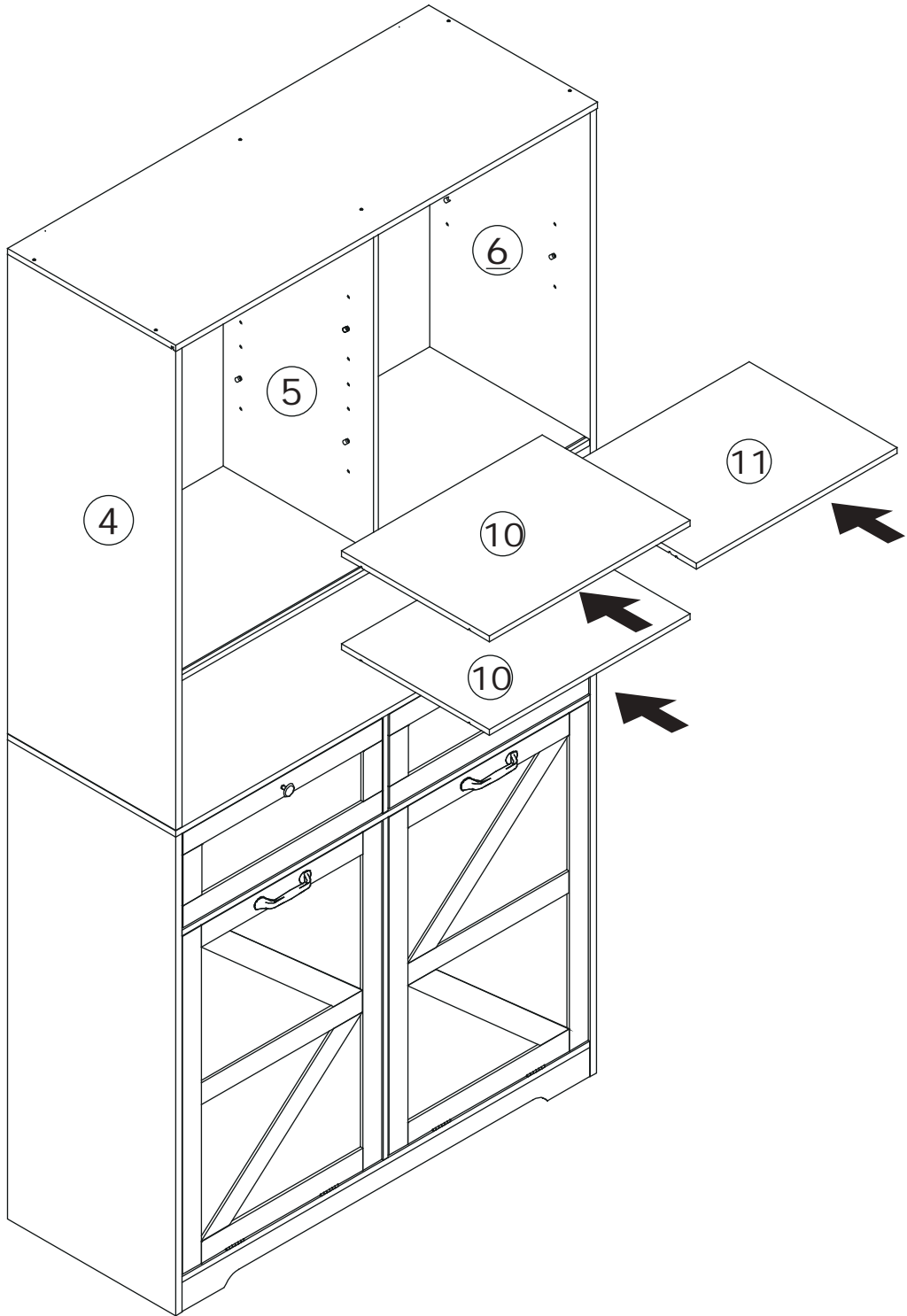
29








30

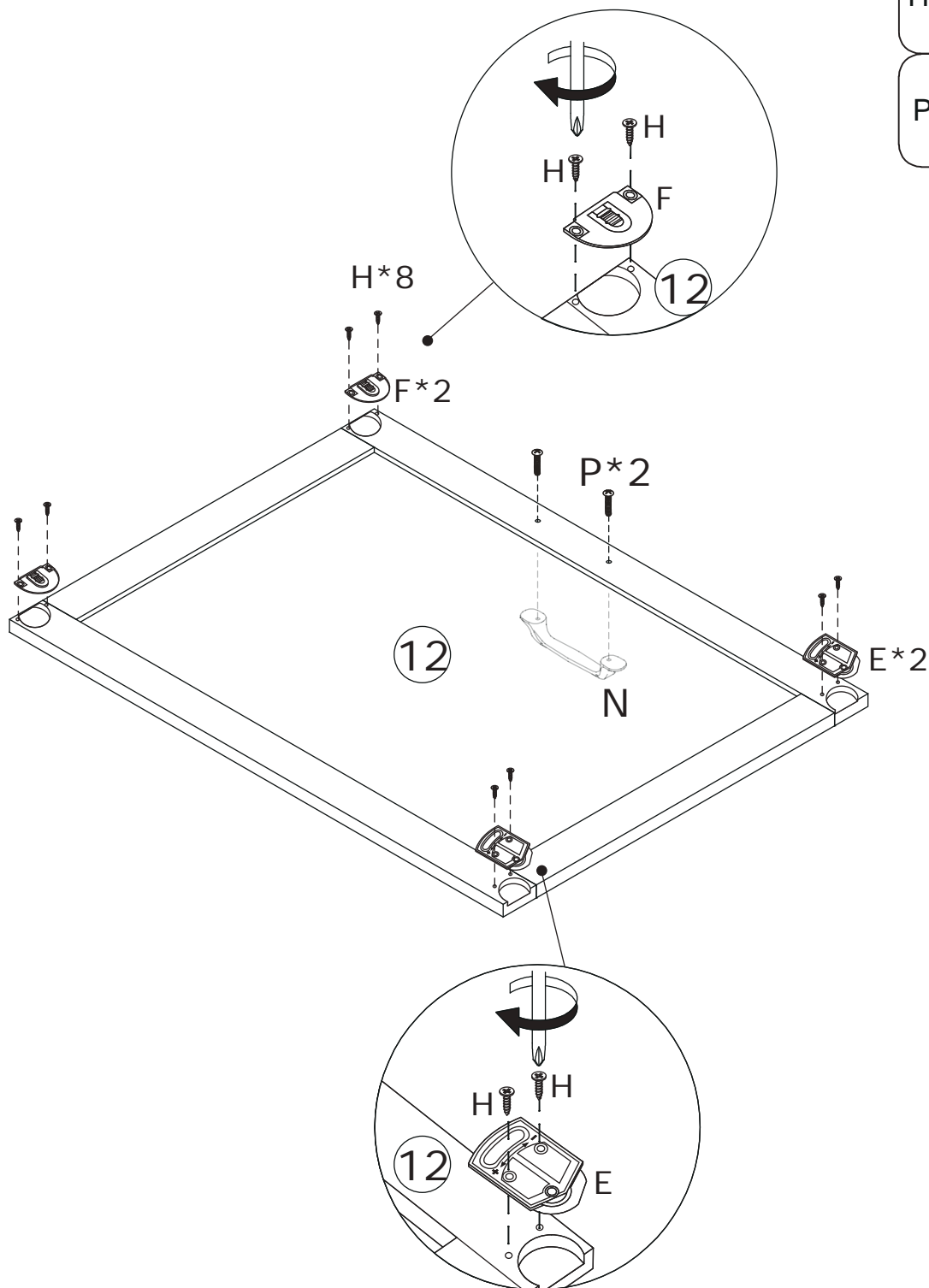


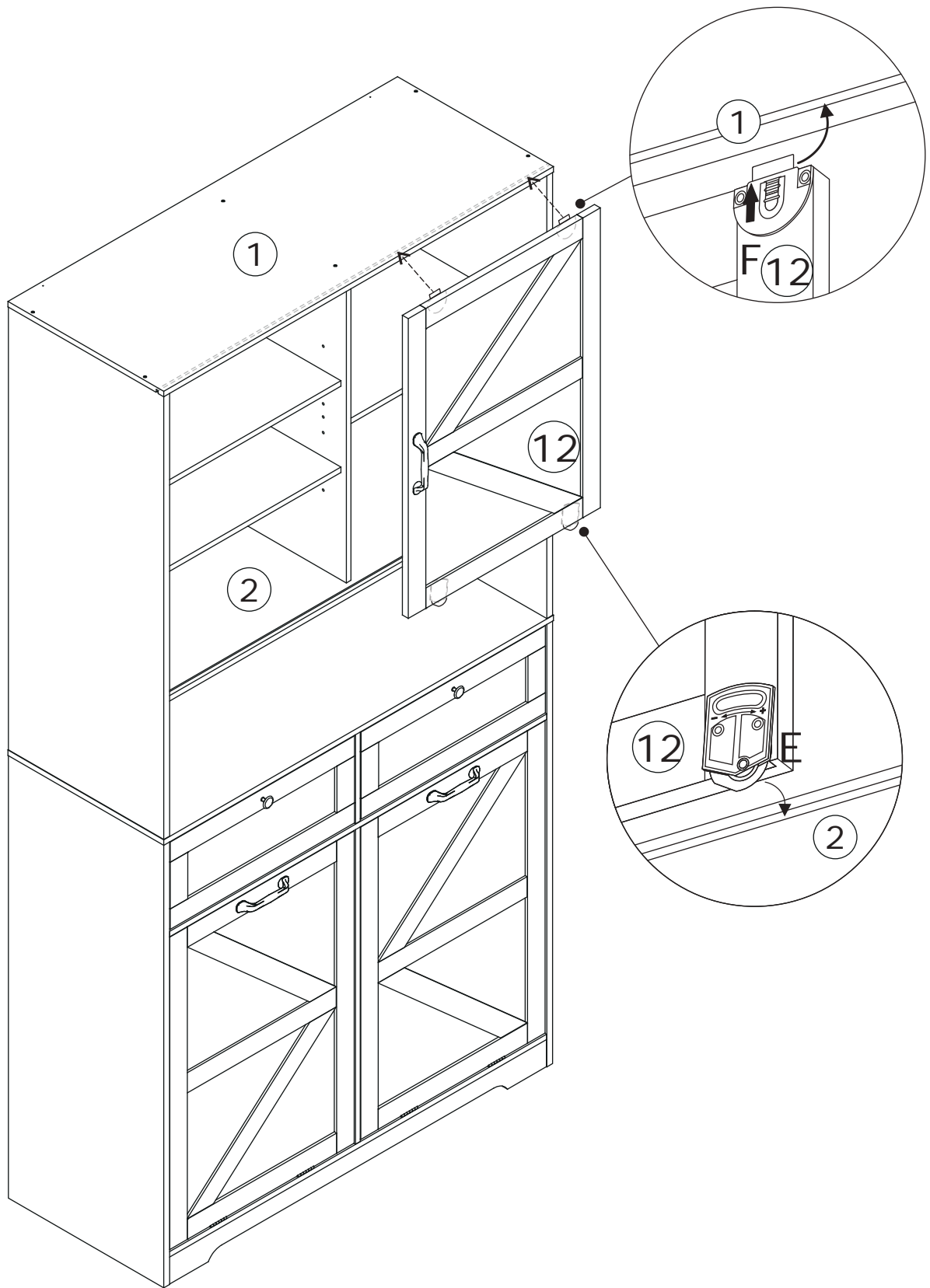
31

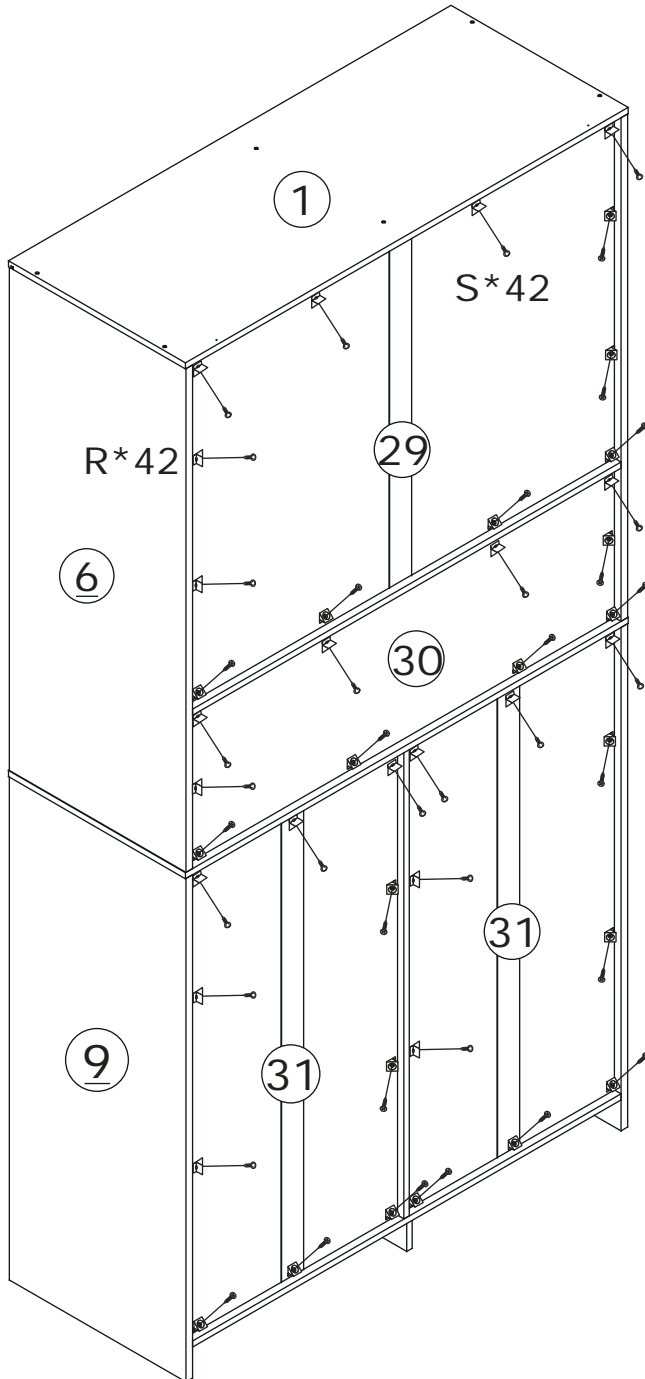
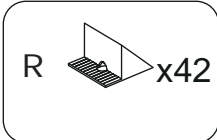


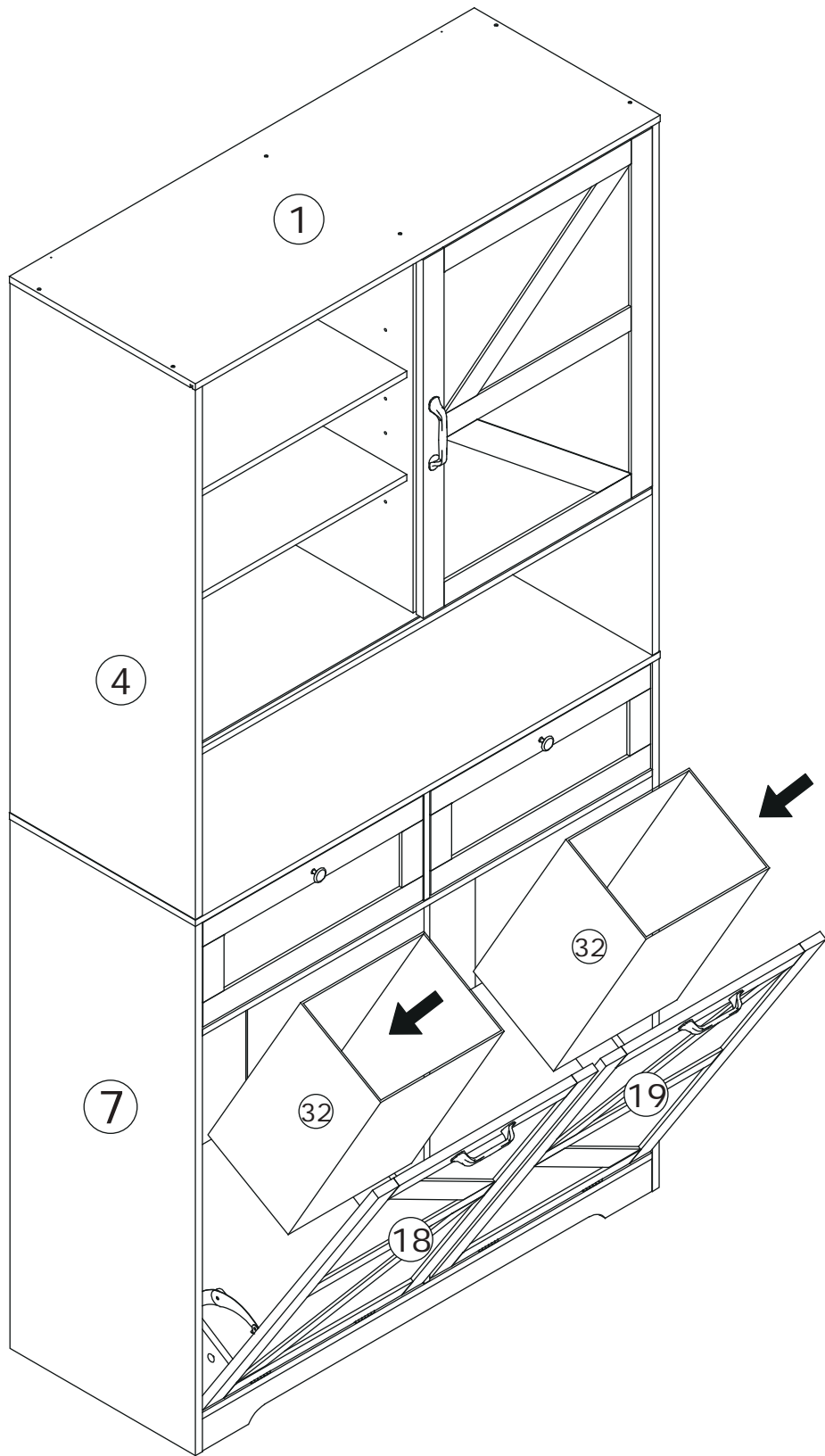
32

- N  x1
- E  x2
- F  x2
- H  x8
3x12mm
- P  x2
4x20mm

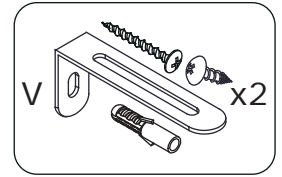
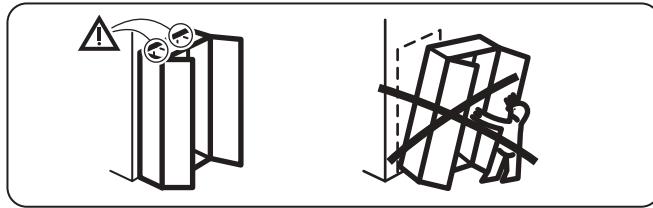
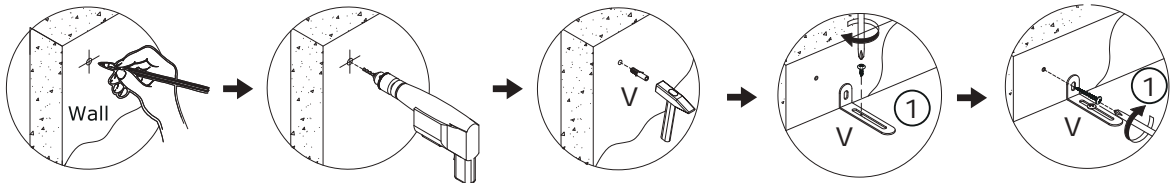








36



A solid wall	B cavity wall	C solid wood

Warning: If you overturn the furniture, it may cause serious or fatal crushing injuries. We have a wall connection device attached, please use it to hold the furniture following these instructions.

1. Mark the corresponding hole positions where you want to place the furniture;
2. Use a impact drill to drill holes and pay attention to avoid wires and water pipes;
3. Knock the expansion pipes into the wall holes;
4. Place the furniture in the corresponding position and tighten the wall connection device with screws.

