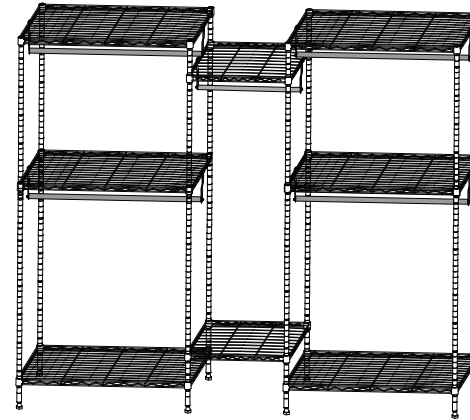
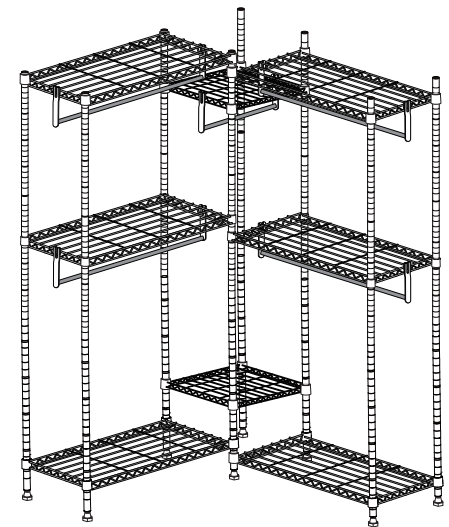


# ASSEMBLY INSTRUCTIONS



TYPE-H



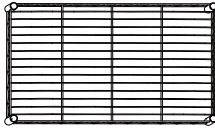

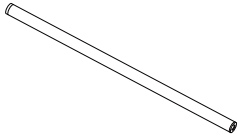
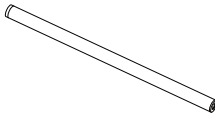
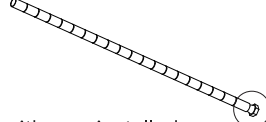
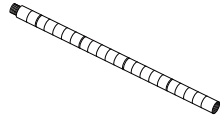
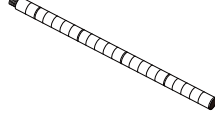

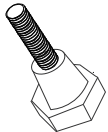
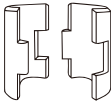

TYPE-L

Please check all parts and accessories according to the parts list before assembling, make sure all contents are sufficient and in good condition. If there is any parts missing or defective, please contact us immediately with purchase platform message to get replacement parts.

**Please Kindly Notice That:**

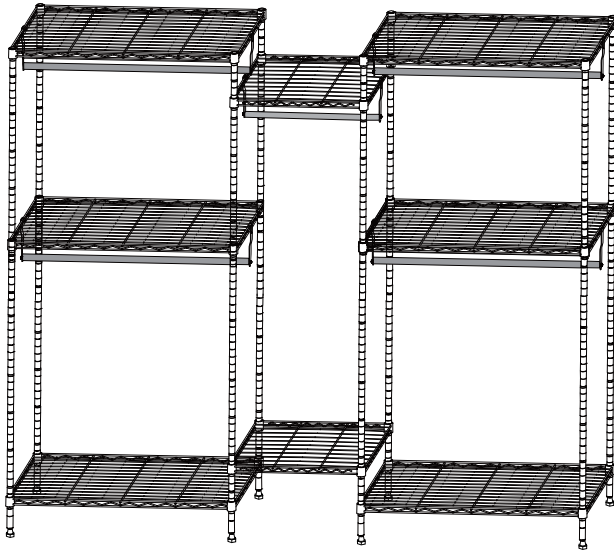
- 1.Part K are used as groups( 2PCS in a group). Multiple clearance existing between 2 plastic clips when they have been attached to the poles are not indicative of any quality issue but rather a structural design based physical law of thermal expansion and contraction, which is intended to make the metal Steel Racks firmly fastened to the poles.
- 2.When assembling, please pay attention to avoid fingers being pinched.
- 3.During installation, you can adjust the height of each Shelf.
- 4.Please **DO NOT** load more than the maximum weight described on the product page.

**PARTS:**

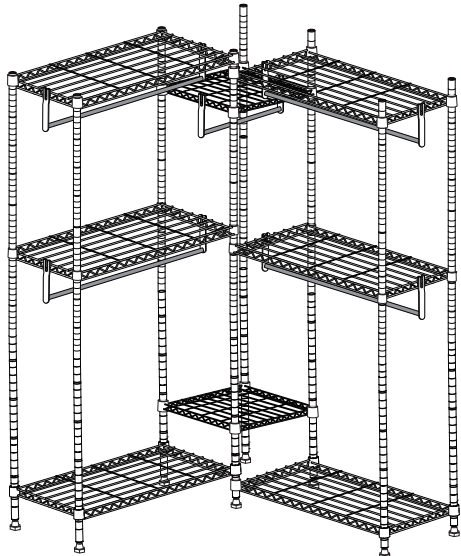
<p><b>A</b> Steel Shelf A</p>  <p>x6</p>	<p><b>B</b> Steel Shelf B</p>  <p>x2</p>	<p><b>C</b> Clothes Hanger</p>  <p>x4</p>
<p><b>D</b> Clothes Hanger</p>  <p>x1</p>	<p><b>E</b> Lower Pole</p>  <p>with pre-installed adjustable feet x8</p>	<p><b>F</b> Middle Pole</p>  <p>x8</p>
<p><b>G</b> Upper Pole</p>  <p>x8</p>	<p><b>H</b> Hanging Hook</p>  <p>x10</p>	<p><b>J</b> Adjustable Feet</p>  <p>x10</p>
<p><b>K</b> Clips</p>  <p>x32 Pairs</p>	<p><b>N</b> Safety Locks</p>  <p>x1</p>	

## 2 OPTIONAL LAYOUT AVAILABLE

TYPE-H  
PAGE 4-12



TYPE-L  
PAGE 13-24

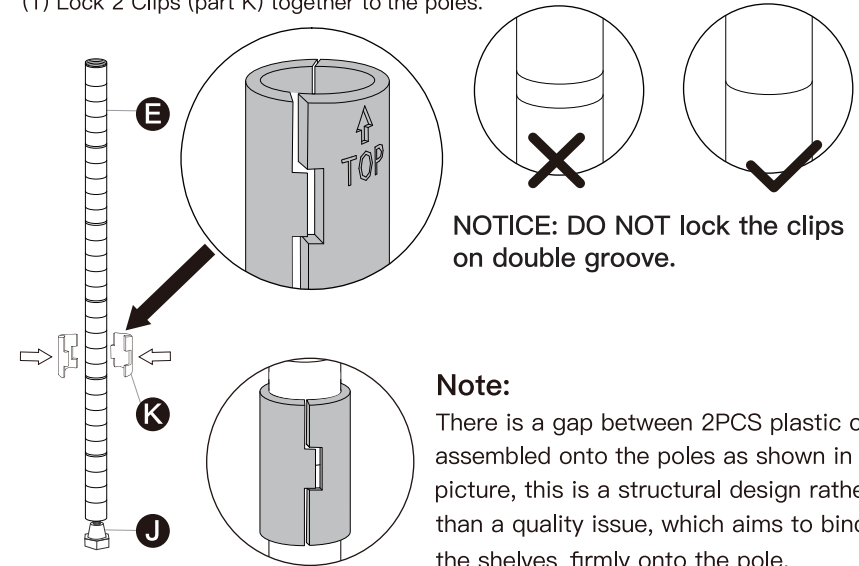


## TYPE-H INSTALLATION

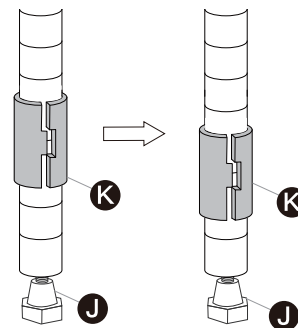
Layout the accessories and check its quantity and condition according to the part list, if any part missing or defective, please feel free to email us to get replacements.

### Step 1 Learn to Install Clips to Poles:

(1) Lock 2 Clips (part K) together to the poles.

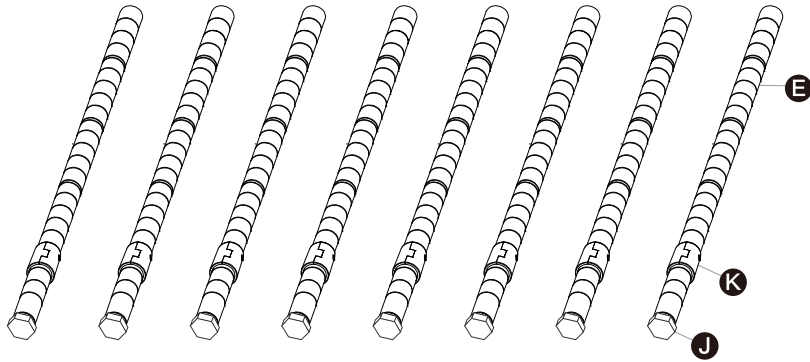


(2) Then slide clip group down to the height the Steel Shelves should be.  
(Until you get the “ding” sound. Then it’s perfectly locked)



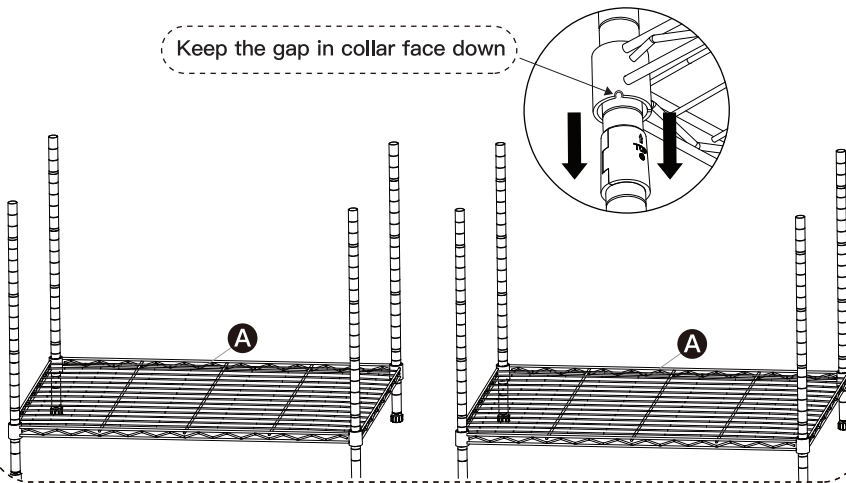
**Step 2** Install 2 Steel Shelves A (part A) to 8 Lower Poles(part E).

(1) Install Clips (part K) on each Lower Pole firstly (Refer to Step 1).



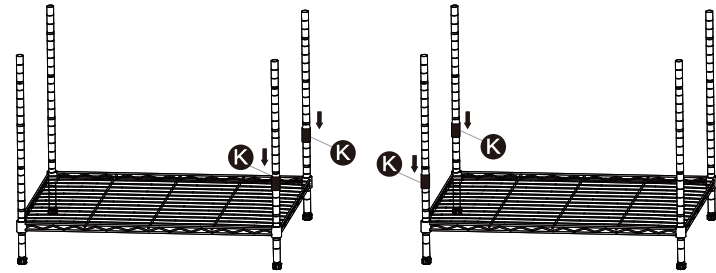
(2) Install 2 Steel Shelves A (part A) onto the Clip groups on Lower Pole.

Keep the gap in collar face down

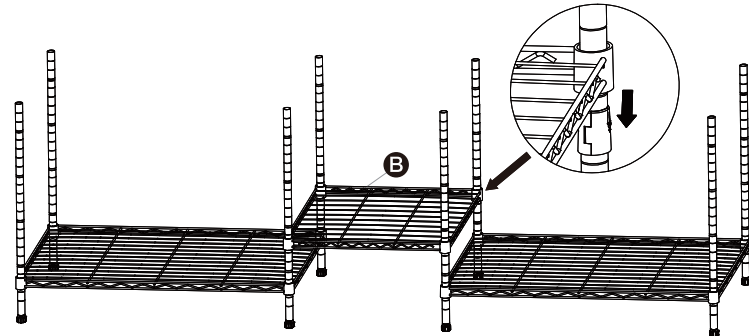


**Step 3** Install Steel Shelves B (Part B) to the clothing rack.

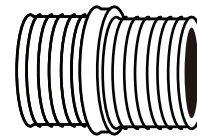
(1) Lock Clips (part K) as below.



(2) Install the Steel Shelves B (part B) onto the Clip groups.

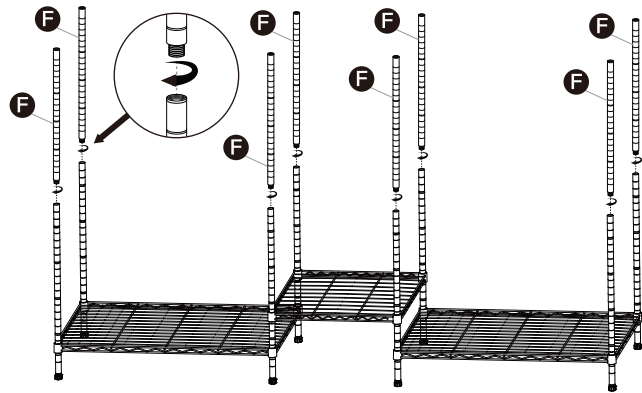


**Step 4** Connect 8 Middle Poles (Part F) to 8 Lower Poles (part E).



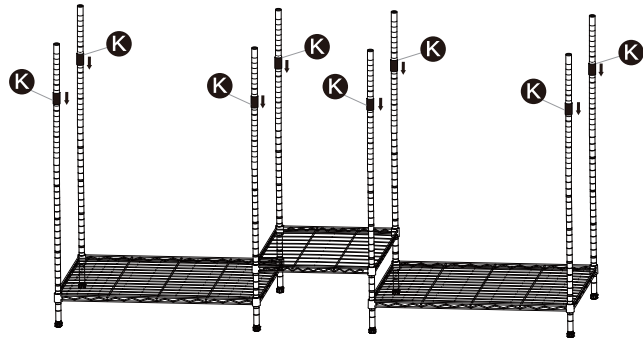
Note:

Detachable connectors are pre-assembled on lower side of each Middle Poles and Upper Poles for your time-saving. It's normal if they get loose or connected with another pole when disassemble the poles. You can re-screw in it to the poles.

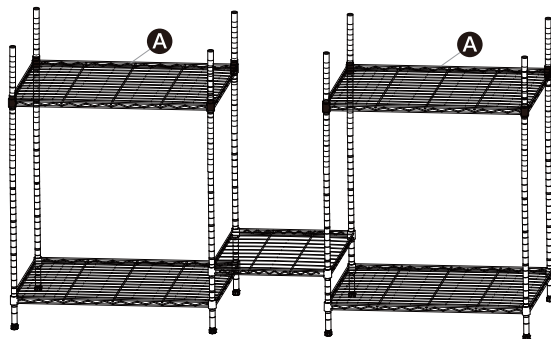


**Step 5** Install 2 Steel Shelves A (part A) to clothing rack.

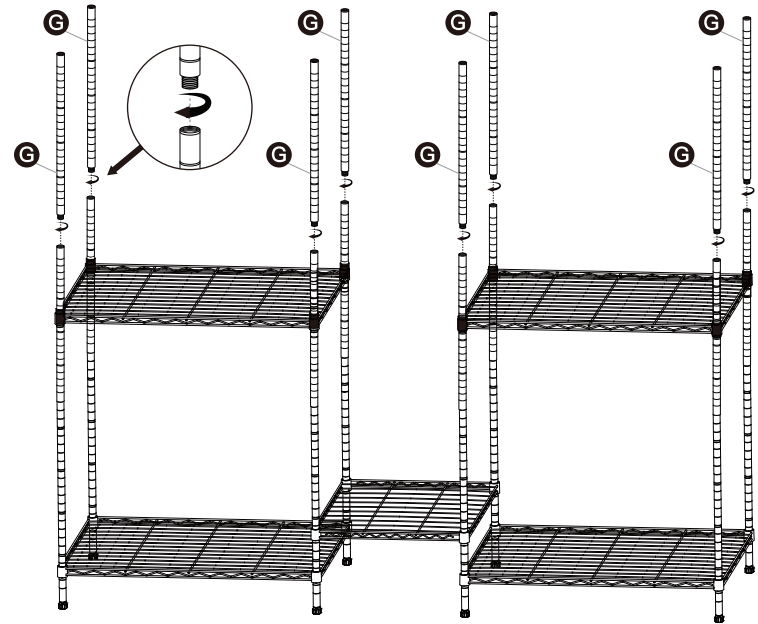
(1) Lock Clip (part K) as below.



(2) Install 2 Steel Shelves A (part A) onto the Clip groups.

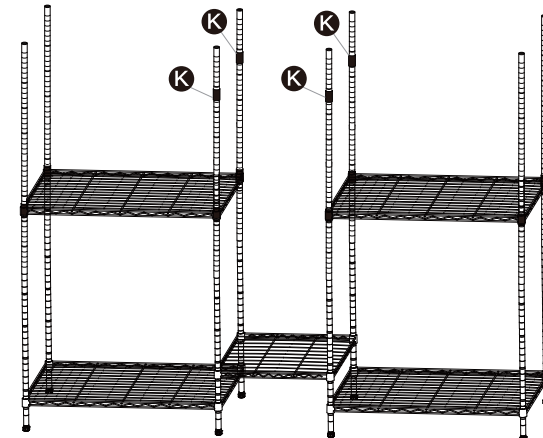


**Step 6** Connect 8 Upper Pole (part G) to Middle Pole (part F)

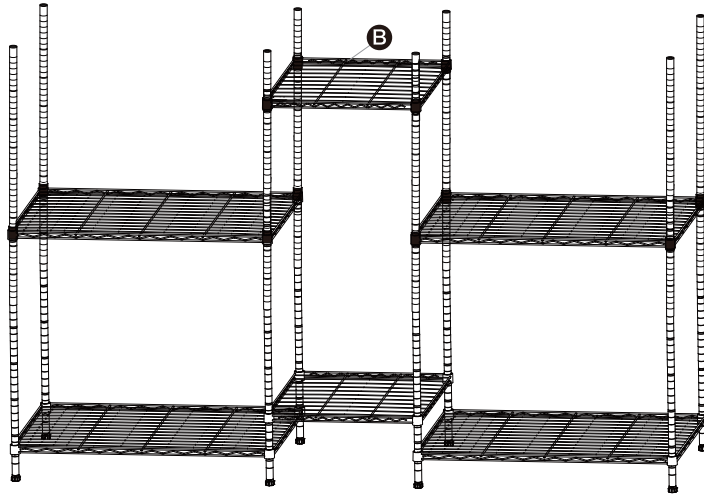


**Step 7** Install Steel Shelf B (part B) to clothing rack.

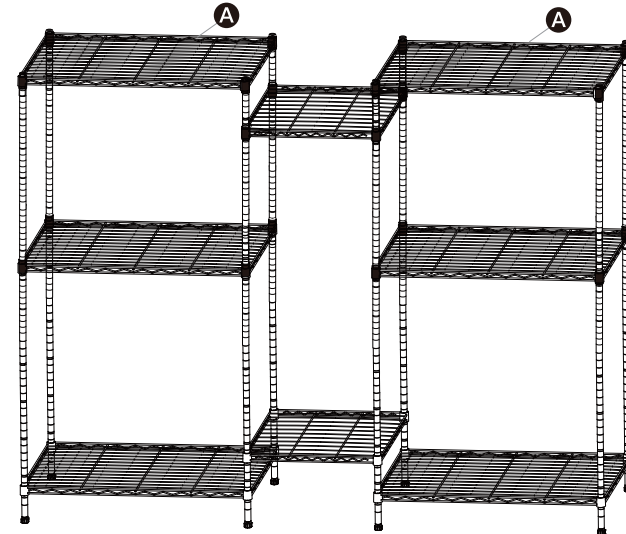
(1) Lock Clips (part K) as below.



(2) Install Steel Shelves B (Part B) onto the Clip groups.

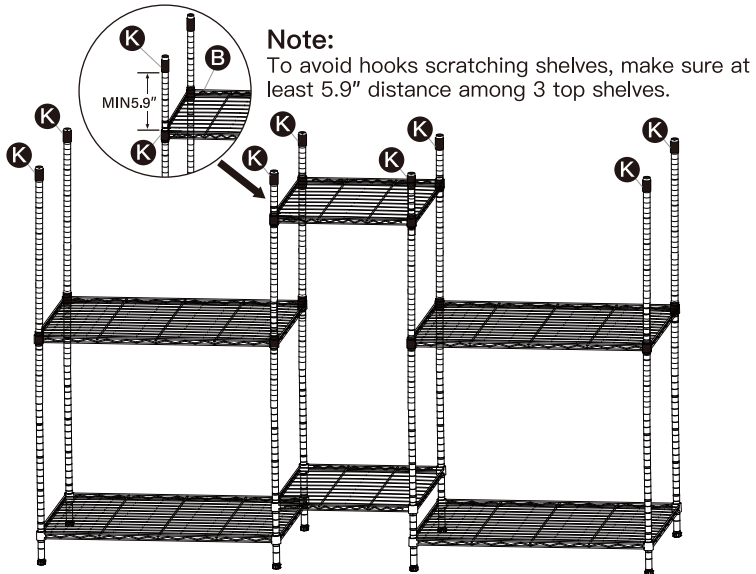


(2) Install 2 Steel Shelves A (Part A) onto the Clip groups.

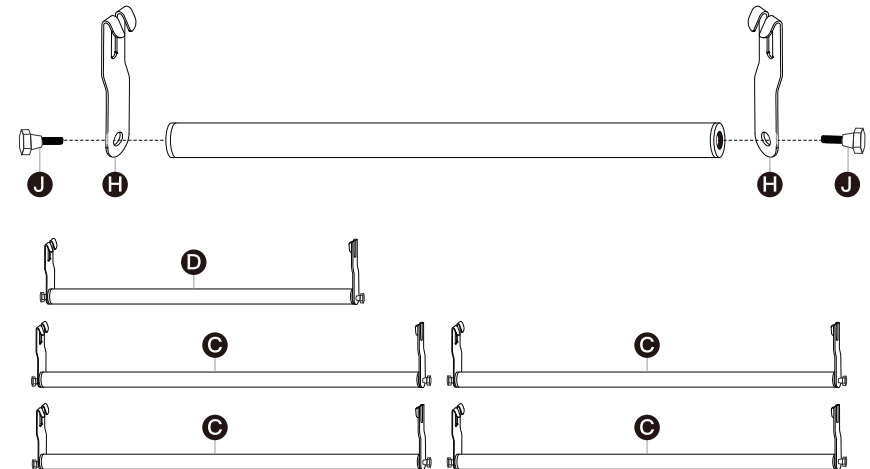


**Step 8** Install 2 Steel Shelves A (part A) to clothing rack.

(1) Lock Clips (part K) as below.

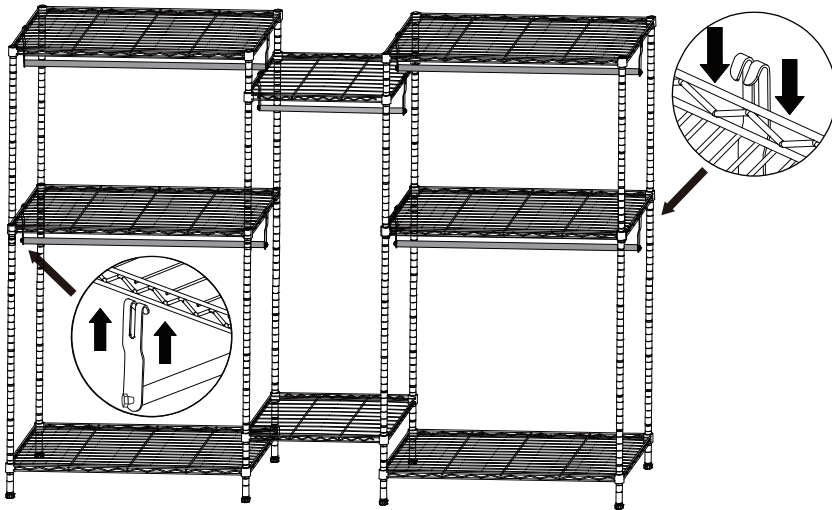


**Step 9** Screw Hanging Hooks (part H) to each side of 5 Hanging Poles (part C & part D) with part J.



## Step 10

Hook the hangers (part C & D) onto the Steel Shelves of the Middle Poles and Upper Poles.

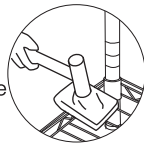


### REMARK:

After each shelf is assembled, please put a piece of cloth on it and hit it several times with a tool (eg. A rubber mallet) to ensure more stability.

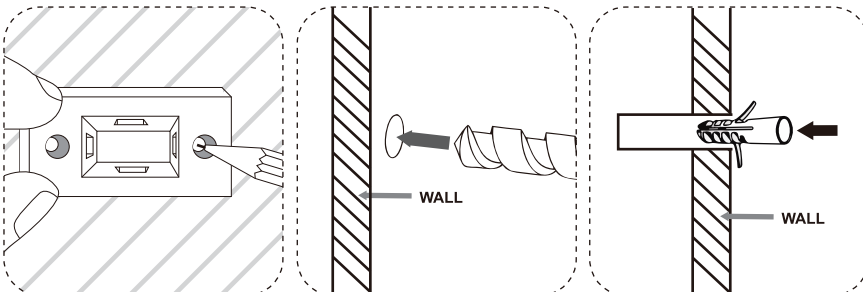
### Note:

The rubber mallet is not included in the package.



## Step 11

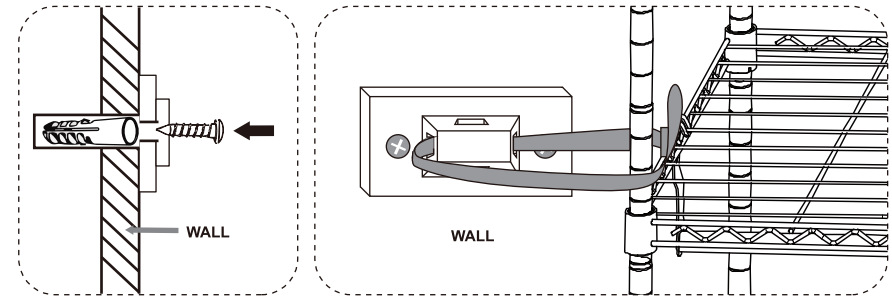
For keeping this clothes rack more stable and keeping your baby safe, please use Safety Locks.



(1) Mark the location of bolt hole.

(2) Drill holes at marked location.

(3) Press the protective bolts in the wall.



(4) Fix the safety lock on the wall with bolts.

(5) Get the safety belts cross the lock and wire closet, then get fastened.

## After-Sale Support

Dear Customer,

Thank you so much for purchasing our product. We sincerely appreciate your choice to incorporate our product into your living space.

Our goal is to build a mutually beneficial relationship with customers and we aim to be a reliable and recommendable brand.

We sincerely hope this product meets your expectations and that you would consider us again for your future needs.

When you receive the package, please kindly double check your package and accessories to be sure that you have all the necessary parts.

Should you have any questions, please contact us through the original purchase platform.

We will reply to each message within 24 hours and spare no efforts to help you as always.

Thank you once again for choosing us. Here's to creating wonderful memories and comfortable spaces together!

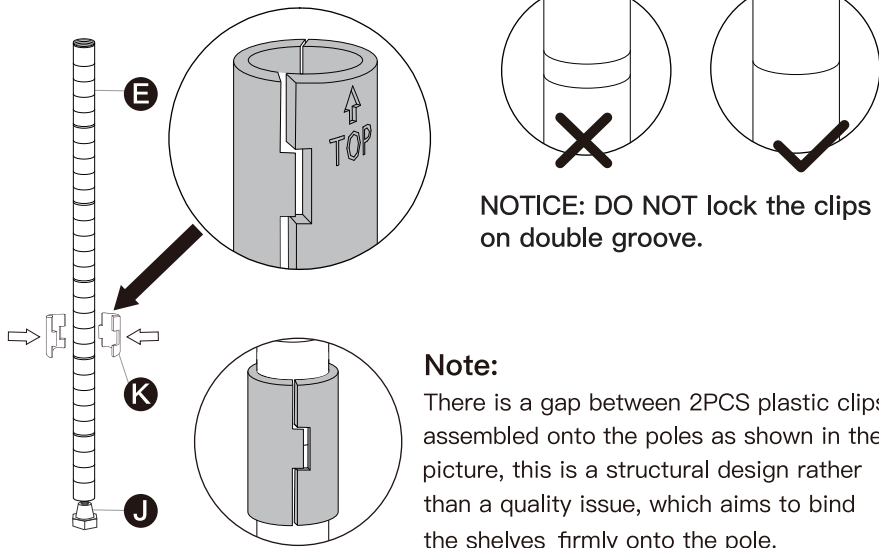
Kindest Regards,  
Customer Care Team

## TYPE-L INSTALLATION

Layout the accessories and check its quantity and condition according to the part list, if any part missing or defective, please feel free to email us to get replacements.

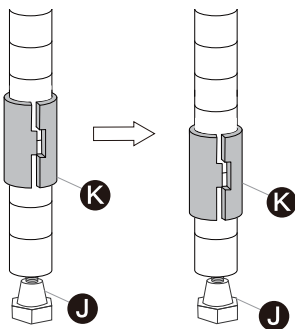
### Step 1 Learn to Install Clips to Poles:

(1) Lock 2 Clips (part K) together to the poles.



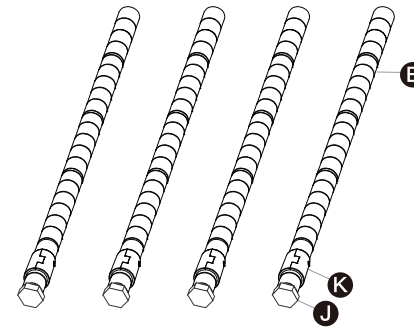
(2) Then slide clip group down to the height the Steel Shelves should be.

(Until you get the “ding” sound. Then it’s perfectly locked)

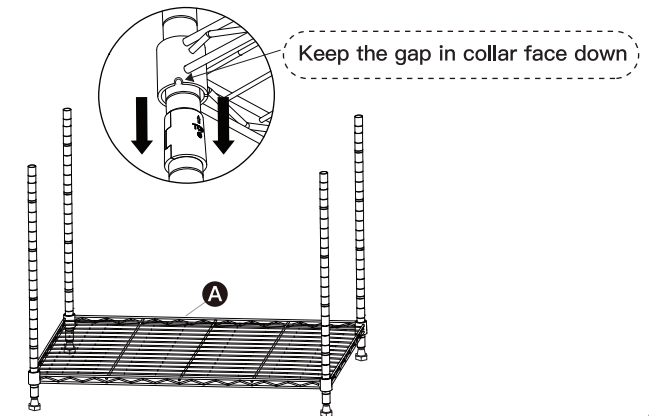


### Step 2 Install 2 Steel Shelves A (part A) to 8 Lower Poles(part E).

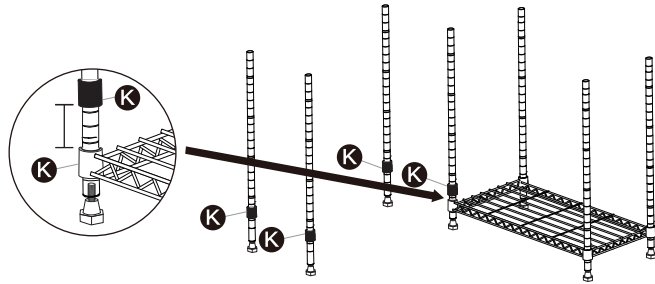
(1) Install clips (Part K) on 4 lower poles (Part E) firstly (refer to Step 2).



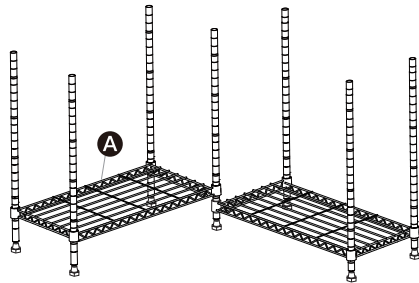
(2) Install steel shelf (Part A) onto the 4 lower pole (Part E).



(3) Install clips (Part K) on 4 lower poles (Part E).

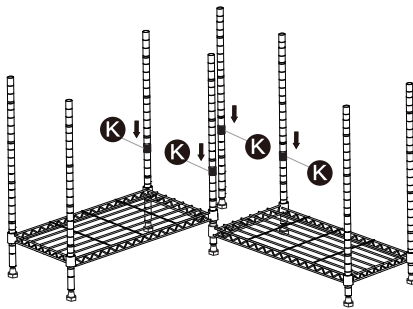


(4) Install steel shelf A (Part A) onto the 4 lower poles (Part E).

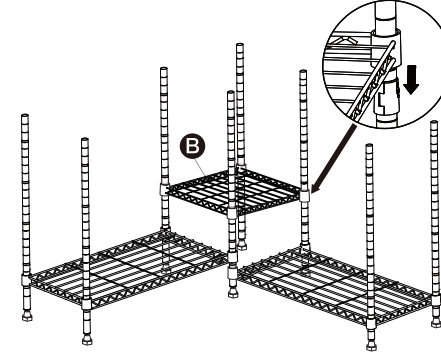


**Step 3** Install Steel Shelves B (Part B) to the clothing rack.

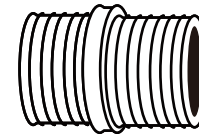
(1) Lock Clips (part K) as below.



(2) Install the Steel Shelves B (part B) onto the Clip groups.

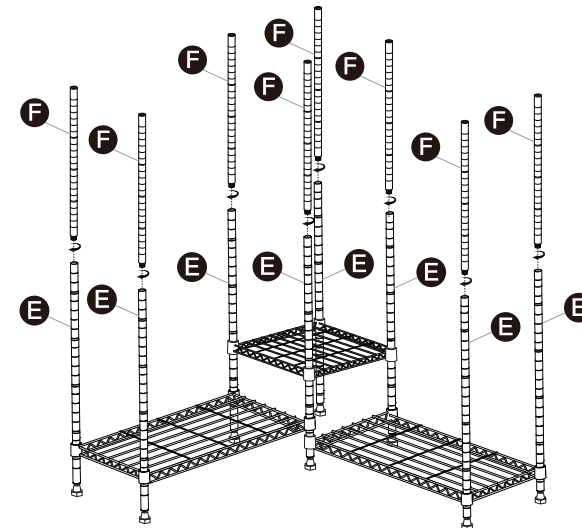


**Step 4** Connect 8 Middle Poles (Part F) to 8 Lower Poles (part E).



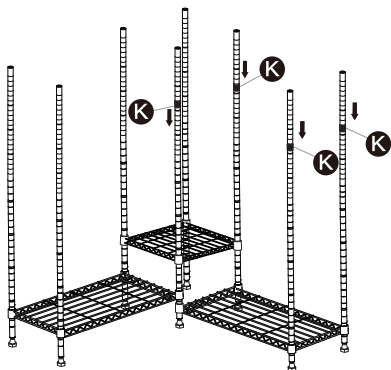
**Note:**

Detachable connectors are pre-assembled on lower side of each Middle Poles and Upper Poles for your time-saving. It's normal if they get loose or connected with another pole when disassemble the poles. You can re-screw in it to the poles.

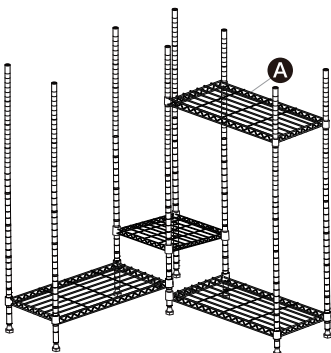


**Step 5** Install 2 Steel Shelves A (part A) to clothing rack.

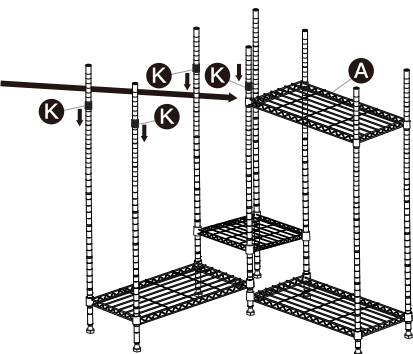
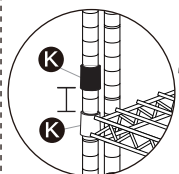
(1) Lock Clip (part K) as below.



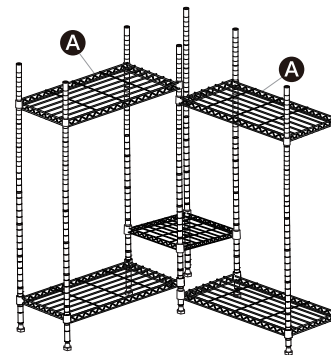
(2) Install steel shelf A (Part A) onto the clip groups.



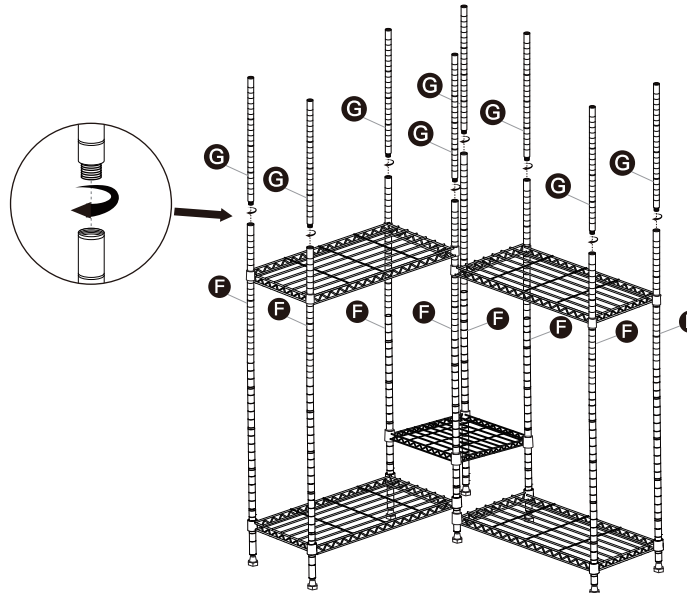
(3) Lock clips as below.



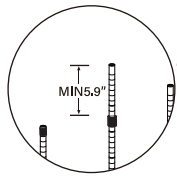
(4) Install steel shelf A (Part A) onto the clip groups.



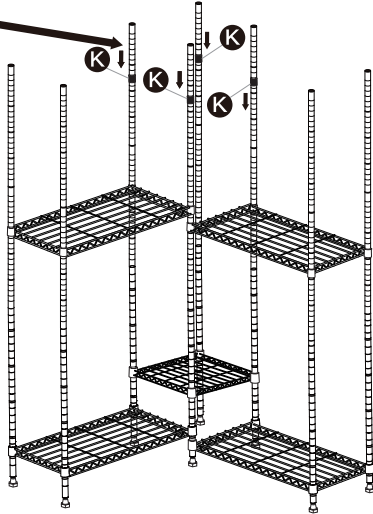
**Step 6** Connect 8 Upper Pole (part G) to Middle Pole (part F)



**Step 7** Install Steel shelves B (Part B) to clothing rack



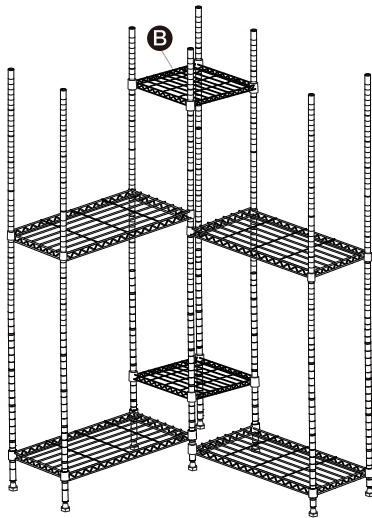
(1) Lock Clips (part K) as below.



**Note:**

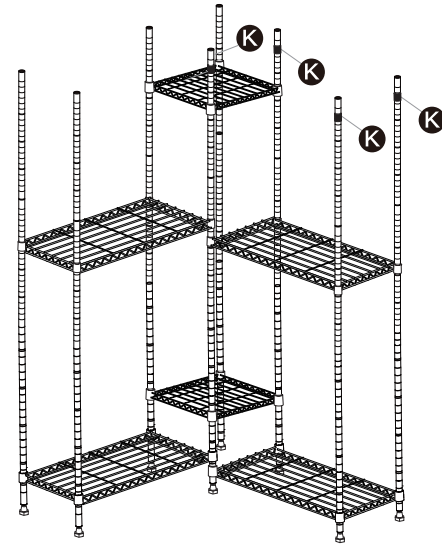
To avoid hooks scratching shelves, make sure at least 5.9" distance among 3 top shelves.

(2) Install the Steel Shelves B (part B) onto the Clip groups.

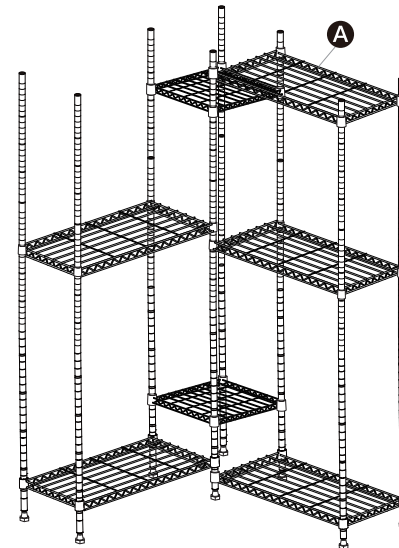


**Step 8** Install 2 steel shelves A (Part A) to clothing rack

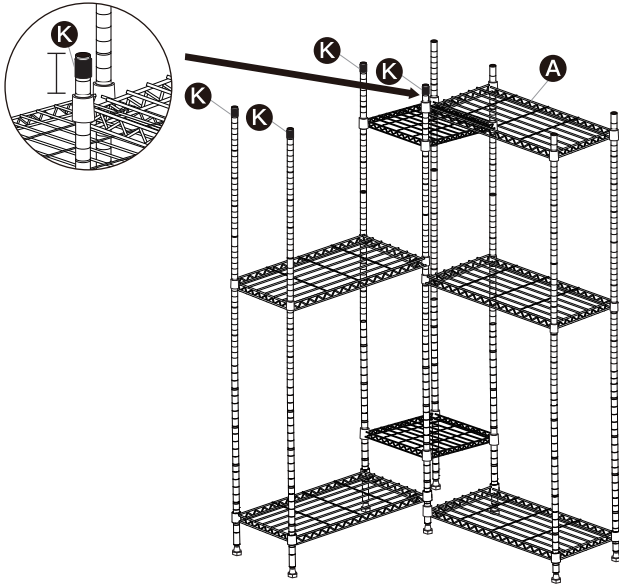
(1) Lock clips as below.



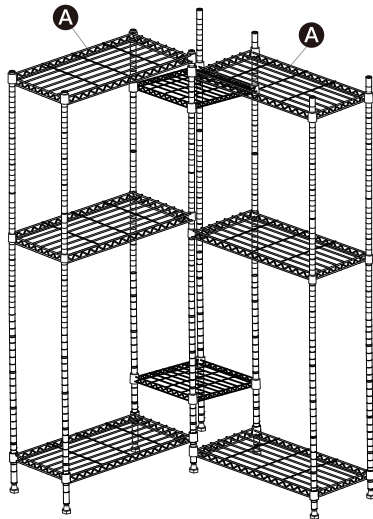
(2) Install steel shelf A (Part A) onto the clip groups.



(3) Lock clips on the top of poles.

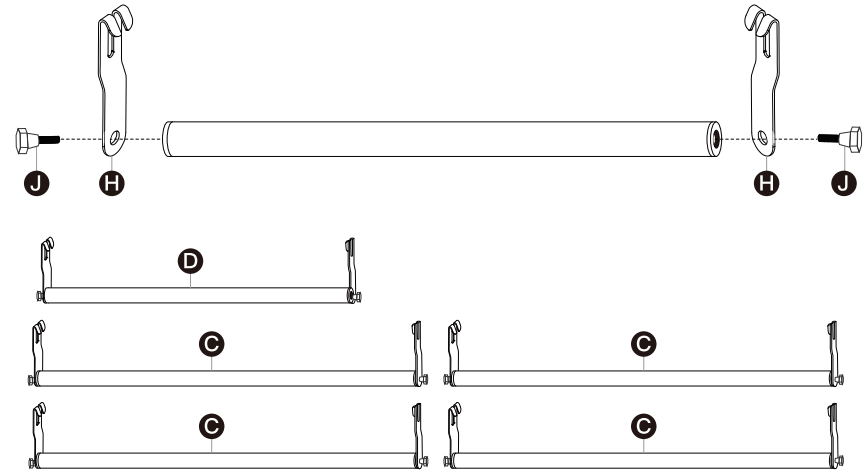


(4) Install steel shelf A (Part A) onto the clip groups.



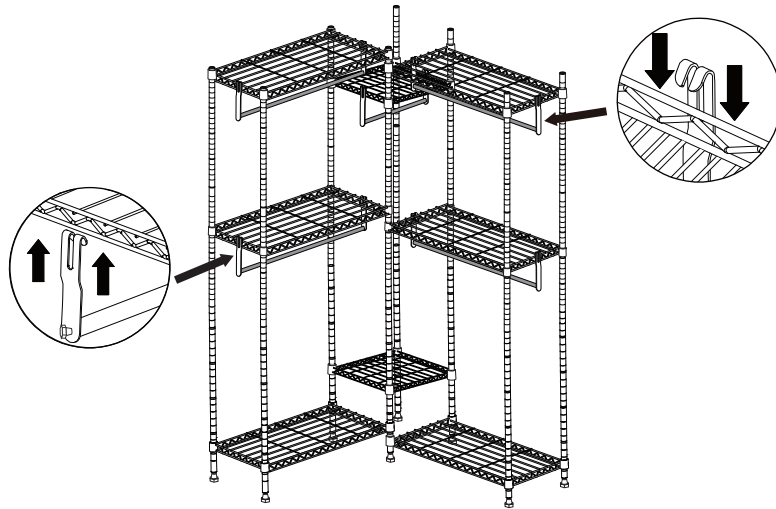
### Step 9

Screw Hanging Hooks (part H) to each side of 5 Hanging Poles (part C & part D) with part J.



## Step 10

Hook the hangers (part C & D) onto the Steel Shelves of the Middle Poles and Upper Poles.

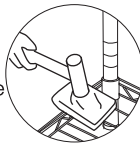


### REMARK:

After each shelf is assembled, please put a piece of cloth on it and hit it several times with a tool (eg. A rubber mallet) to ensure more stability.

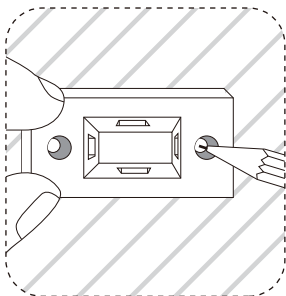
### Note:

The rubber mallet is not included in the package.

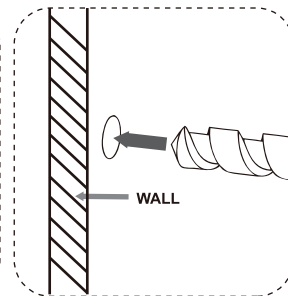


## Step 11

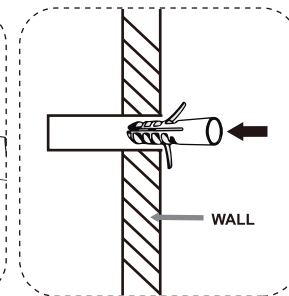
For keeping this clothes rack more stable and keeping your baby safe, please use Safety Locks.



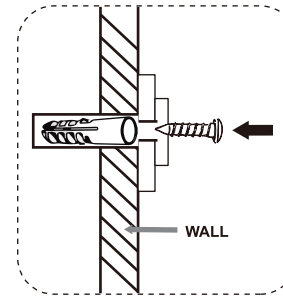
(1) Mark the location of bolt hole.



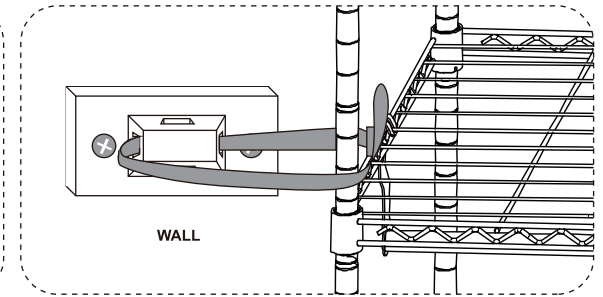
(2) Drill holes at marked location.



(3) Press the protective bolts in the wall.



(4) Fix the safety lock on the wall with bolts.



(5) Get the safety belts cross the lock and wire closet, then get fastened.

## After-Sale Support

Dear Customer,

Thank you so much for purchasing our product. We sincerely appreciate your choice to incorporate our product into your living space.

Our goal is to build a mutually beneficial relationship with customers and we aim to be a reliable and recommendable brand.

We sincerely hope this product meets your expectations and that you would consider us again for your future needs.

When you receive the package, please kindly double check your package and accessories to be sure that you have all the necessary parts.

Should you have any questions, please contact us through the original purchase platform.

We will reply to each message within 24 hours and spare no efforts to help you as always.

Thank you once again for choosing us. Here's to creating wonderful memories and comfortable spaces together!

Kindest Regards,  
Customer Care Team