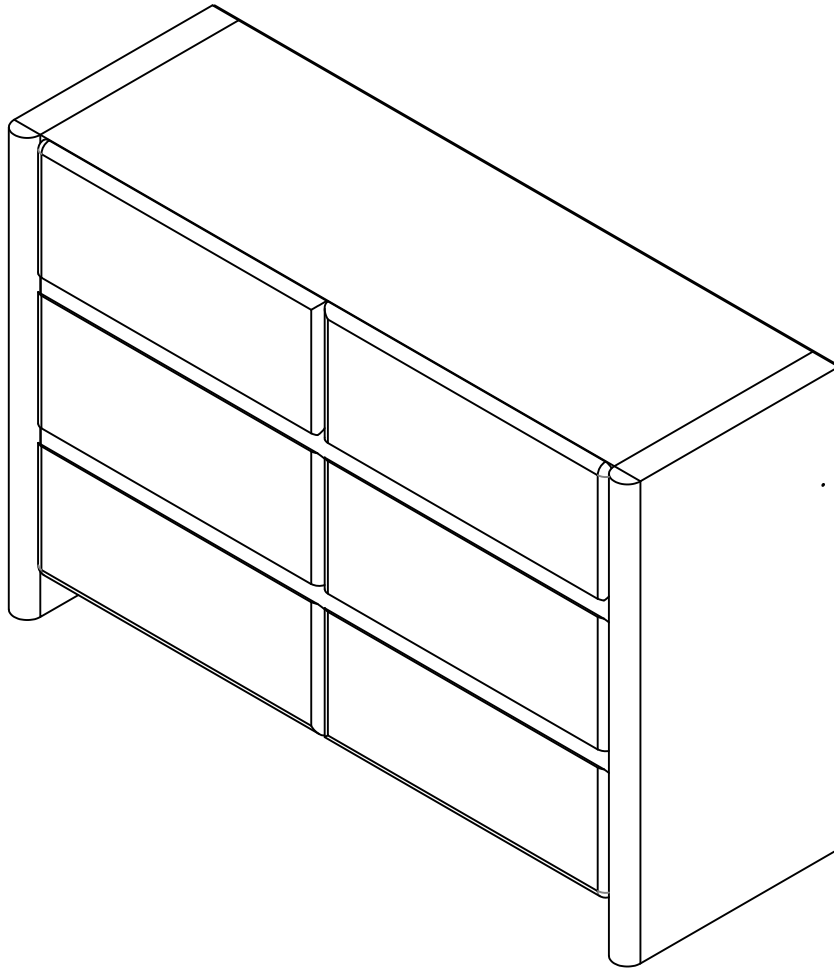
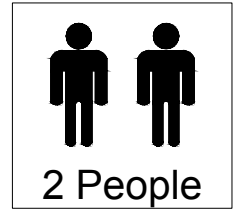
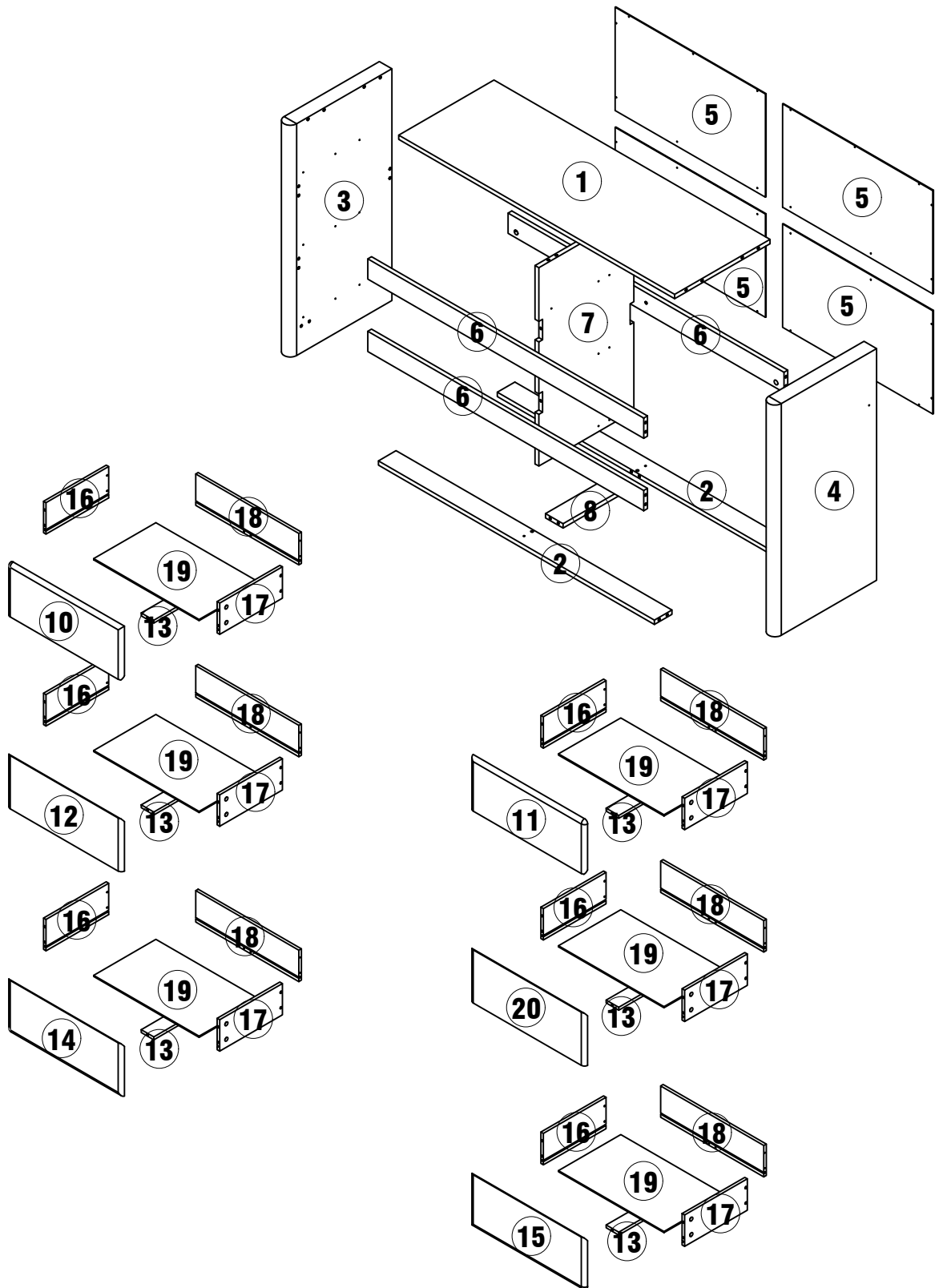


ASSEMBLY INSTRUCTIONS




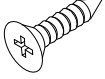
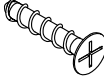
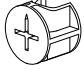
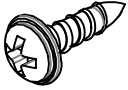

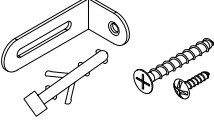
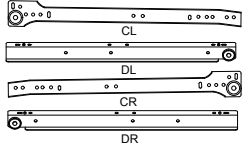
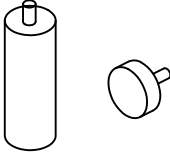
PACKAGE INCLUDE



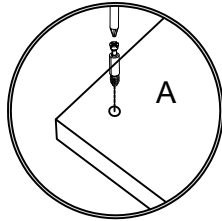
PACKAGE INCLUDE

CODE	DESCRIPTION	QTY
1	Top Panel	1
2	Bottom Plate	2
3	Left Side Panel	1
4	Right Side Panel	1
5	Backboard	4
6	Pull-up Bar	3
7	Middle Vertical Board	1
8	Bottom Connection Plate	1
L	Support Feet That Can Be Adapted	1
10	Upper Left Pull Panel	1
11	Up And Right Pull The Panel	1
12	Middle-left Drawing Panel	1
13	Drawer Bottom Strip	6
14	Lower Left Pull Panel	1
15	Pull The Panel Down To The Right	1
16	Drawer Left Side Panel	6
17	Drawer Right Side Panel	6
18	Drawer Back Panel	6
19	Drawer Bottom Panel	6
20	Middle And Right Draw Panel	1

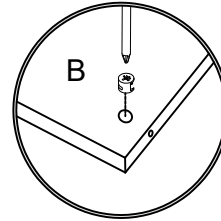
PACKAGE CONTENT

<p>Ø8X30MM</p>  <p>A 18X+1</p>	<p>Ø3X11MM</p>  <p>B 72X+2</p>	<p>Ø4X35MM</p>  <p>C 38X+1</p>	<p>Ø15X10MM</p>  <p>D 53X+2</p>
<p>Ø3.5X12MM</p>  <p>F 28X+1</p>	 <p>G 53X+2</p>	 <p>H 2X</p>	 <p>K 6X</p>
 <p>L 1X</p>			

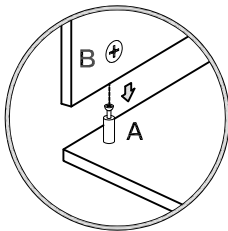
How to use the cam lock system



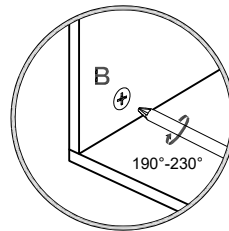
1. Screw cam bolt into panel



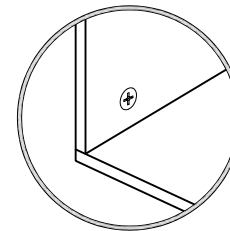
2. Push cam into panel - arrow feature on cam top points to panel edge



3. Align cam bolt(s) with cam(s) and insert all the way into cross-bored hole(s)

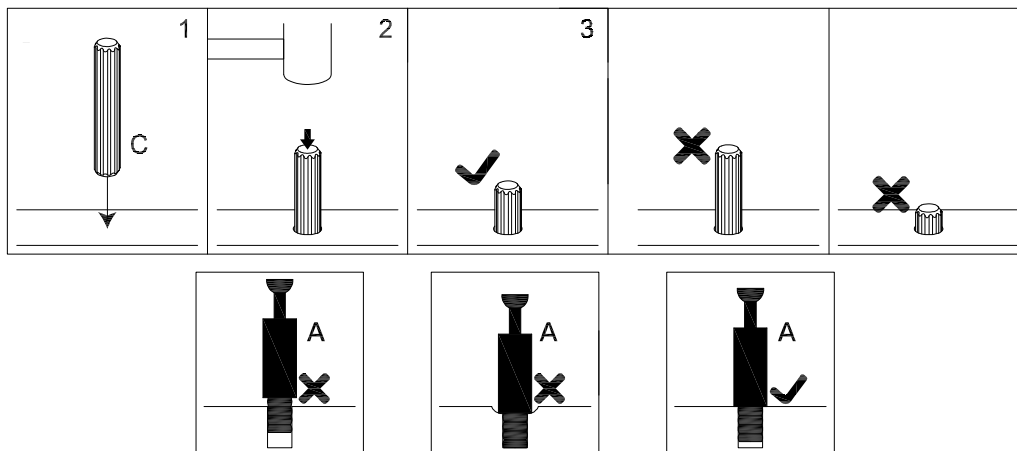


4. Rotate cam(s) clockwise 190°-230° to lock panels together



5. Panels should be tight against each other and connection should be rigid

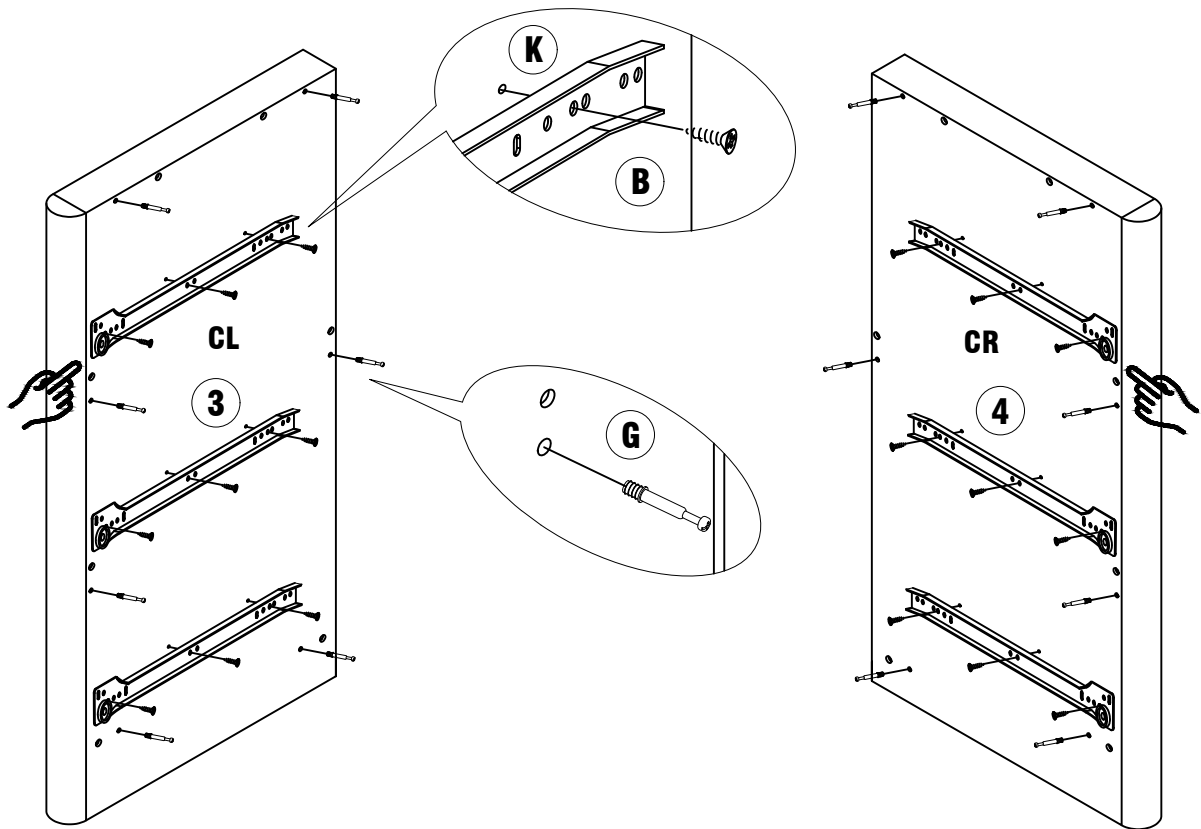
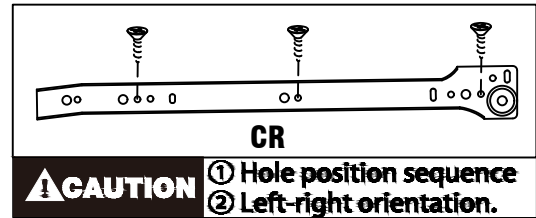
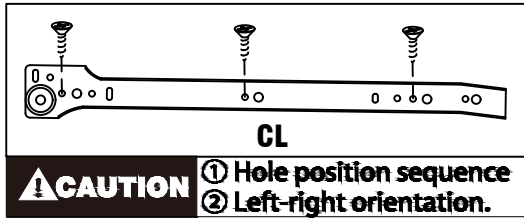
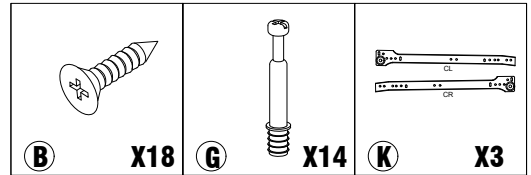
Insert the wood dowel [C] at least half way by tapping lightly with a rubber mallet, IF NECESSARY.



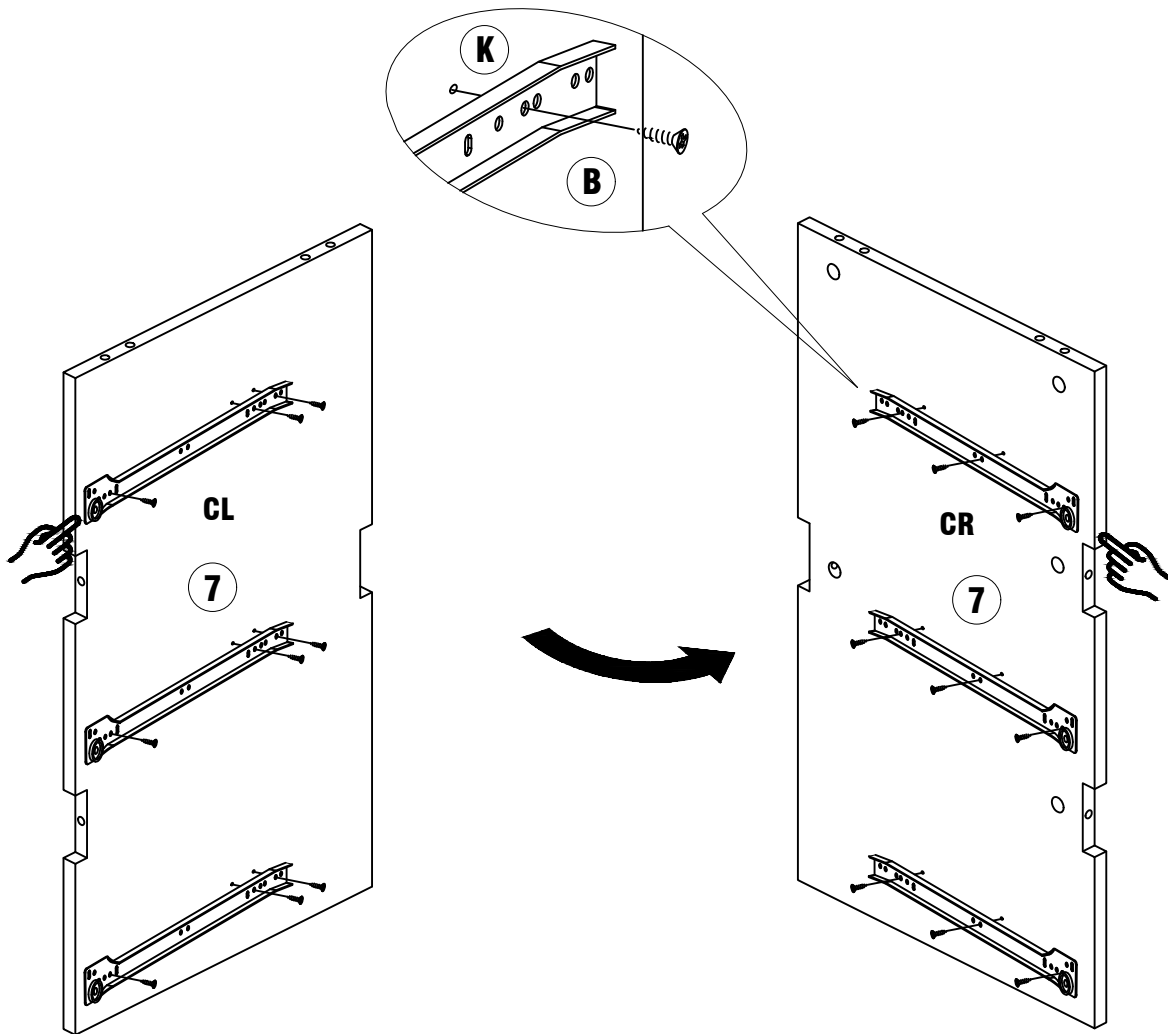
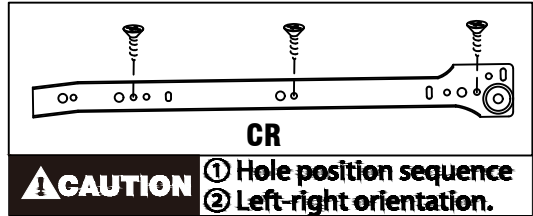
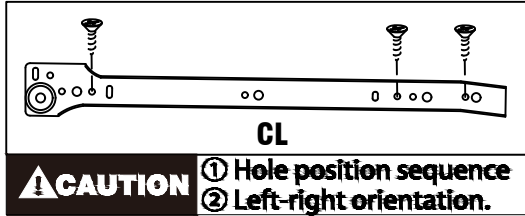
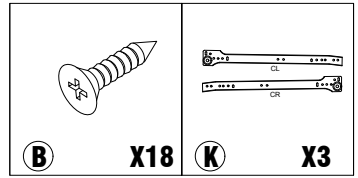
⚠ WARNING

- Unit must be placed on a level surface or leveled with included hardware (when applicable).
- Do not sit or stand on or allow children to climb, sit or stand on the assembled product.
- For safety reasons, it is imperative that this unit be mounted to the wall.
- Do not use without installing the tip restraint.
- Unit can tip over causing severe injury or death.
- Do not exceed the recommended weight limits.
- Evenly distribute the weight on each level and always keep the heavier loads on the bottom.
- Before cutting, drilling or hammering into any wall or floor surface, verify the location of electrical, plumbing and gas lines. Cutting may cause serious injury.

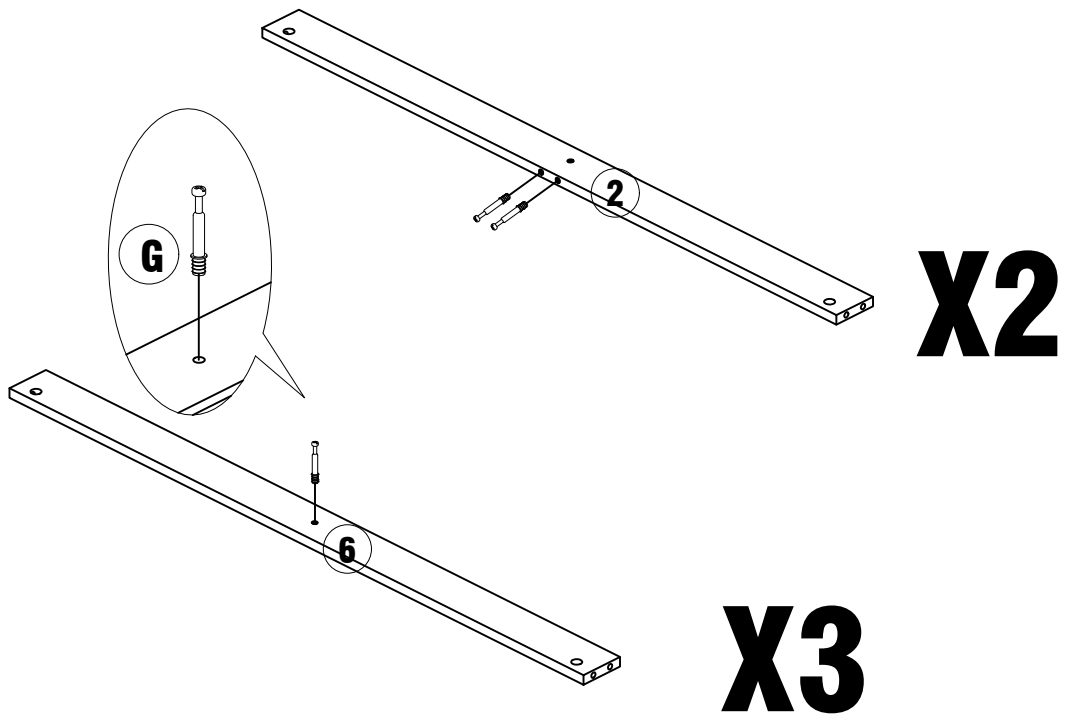
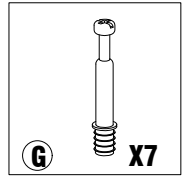
STEP 1



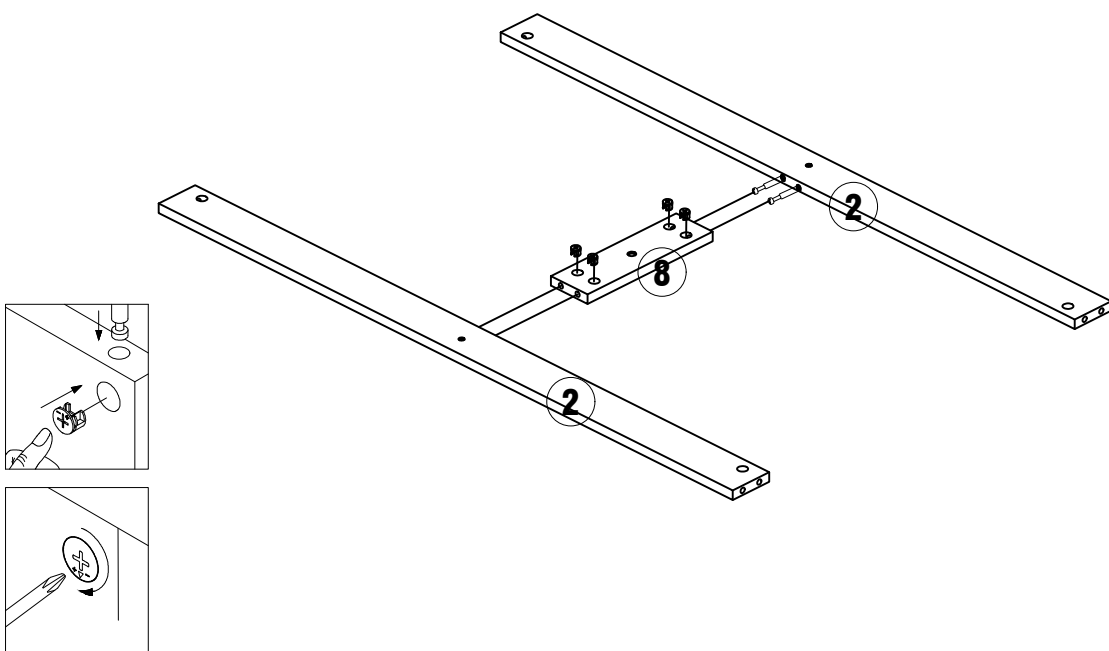
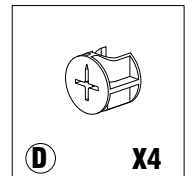
STEP 2



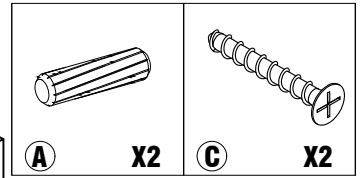
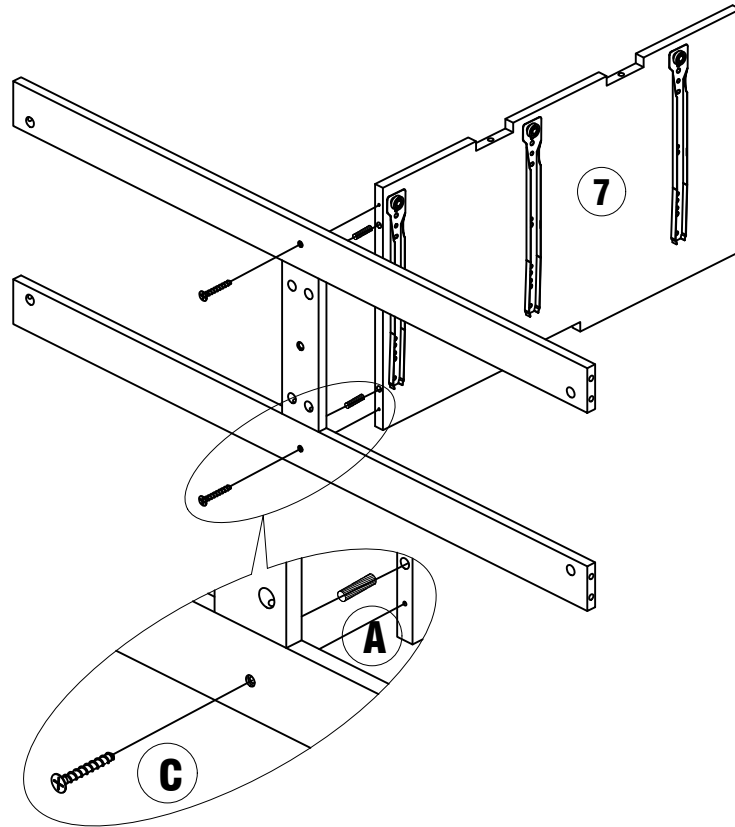
STEP 3



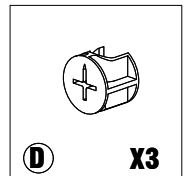
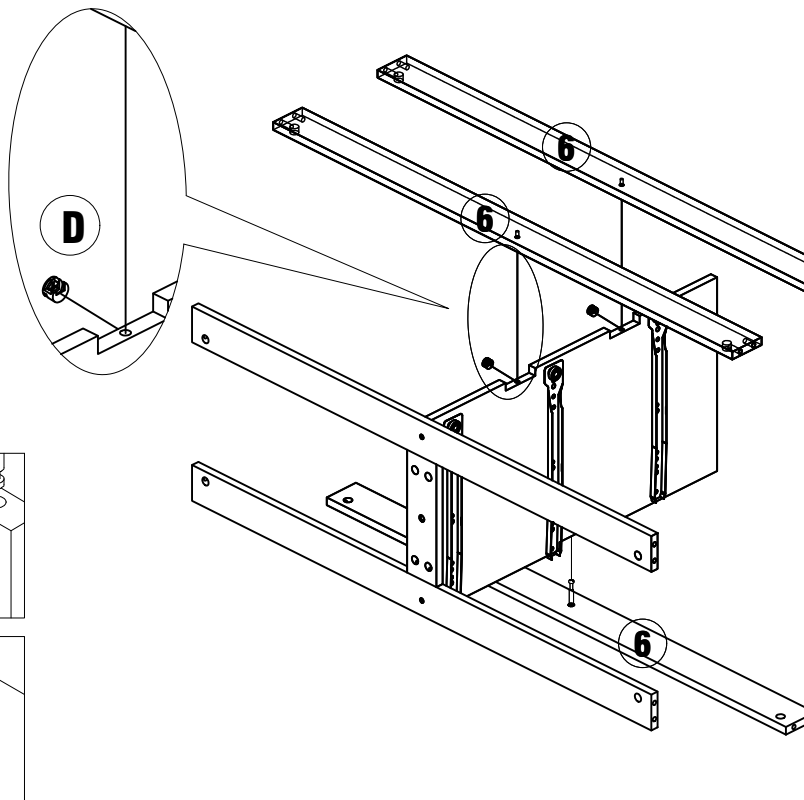
STEP 4



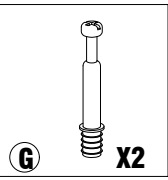
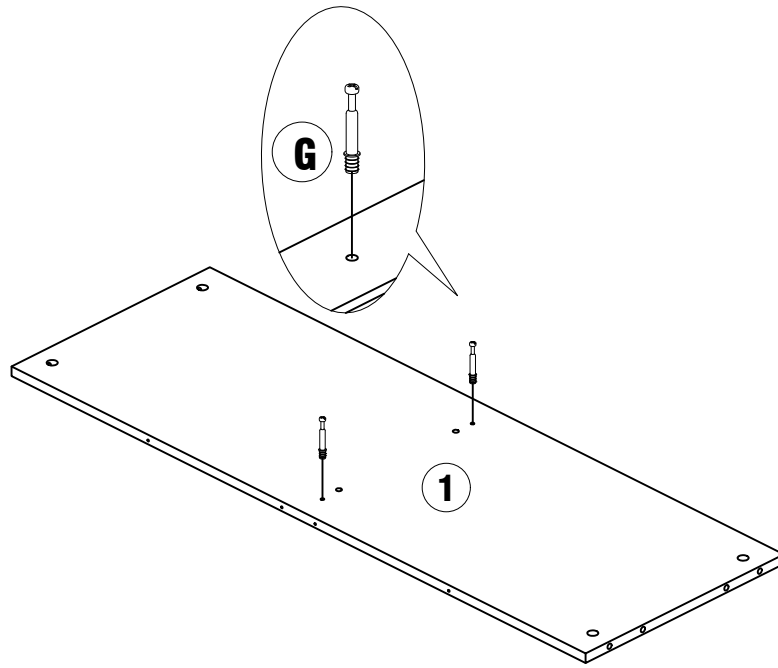
STEP 5



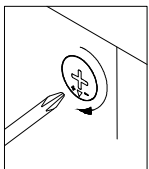
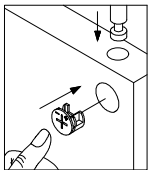
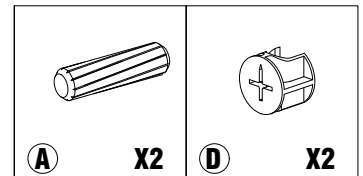
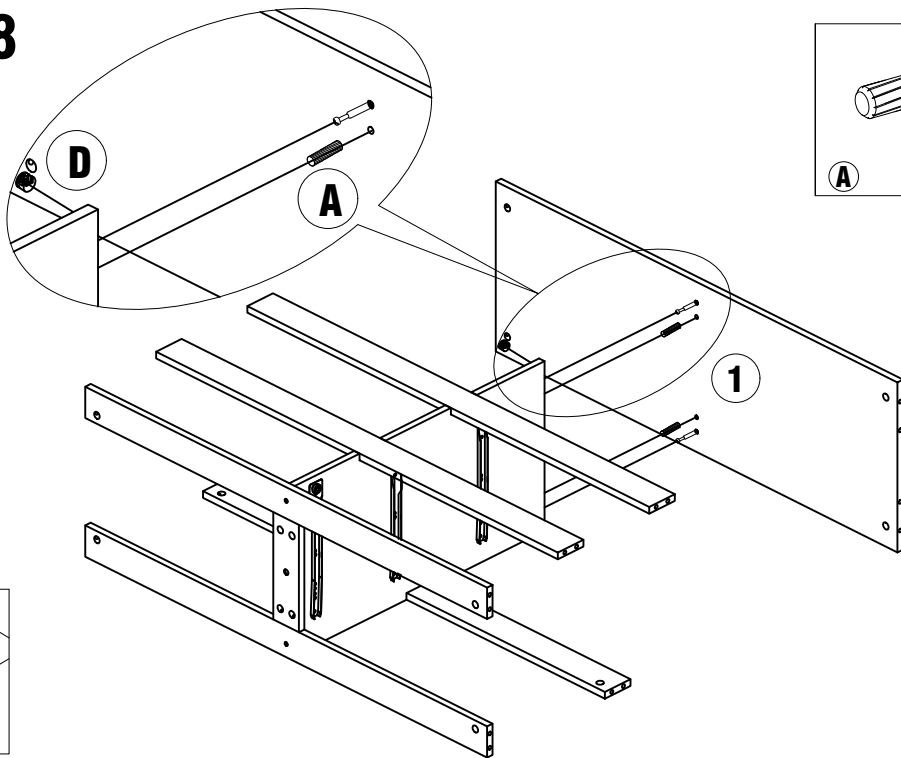
STEP 6



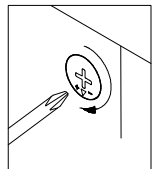
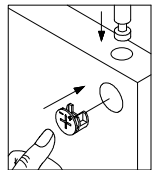
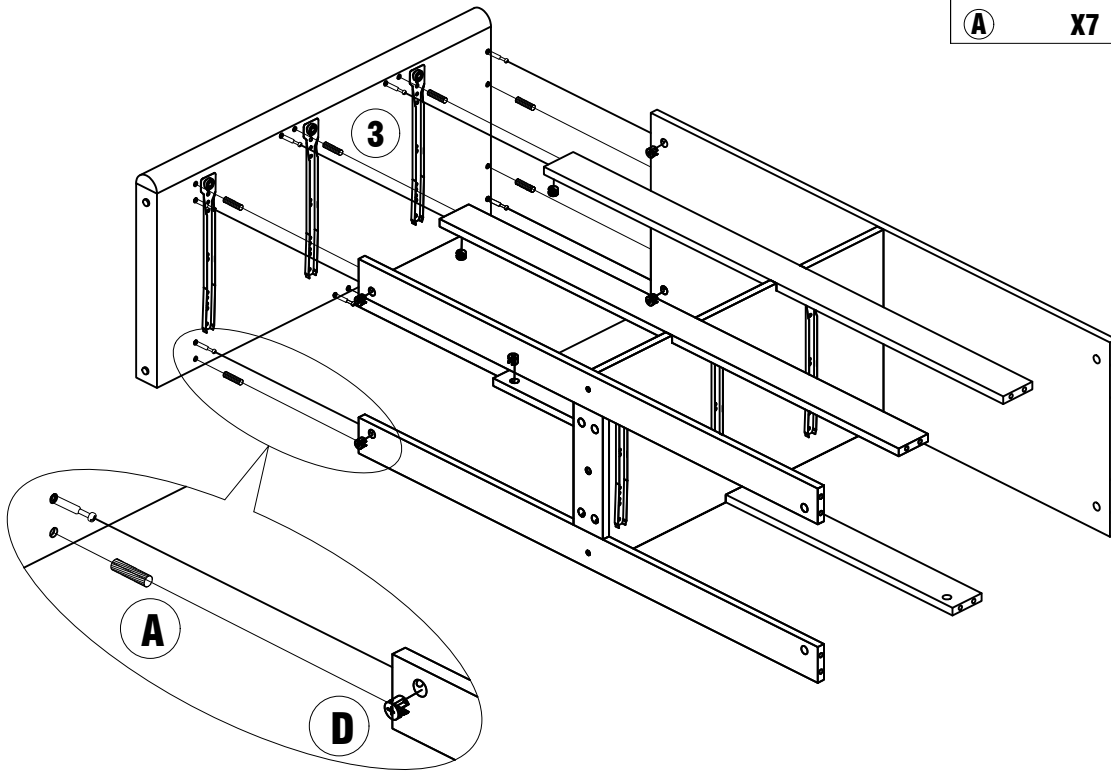
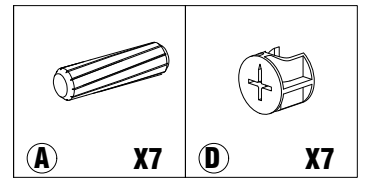
STEP 7



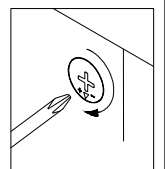
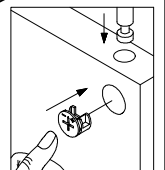
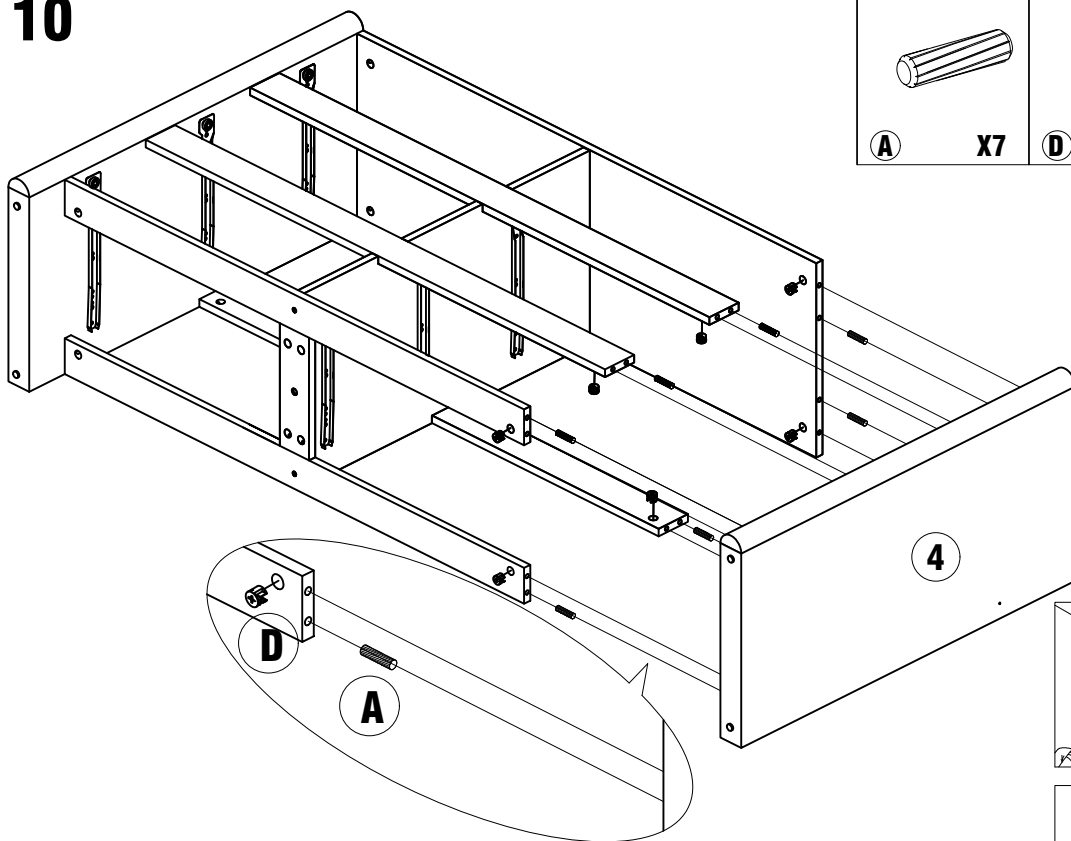
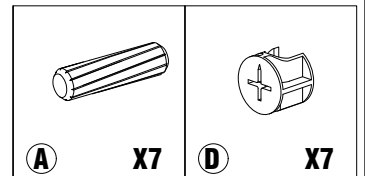
STEP 8



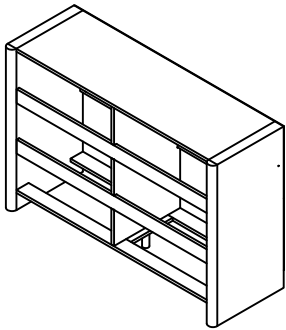
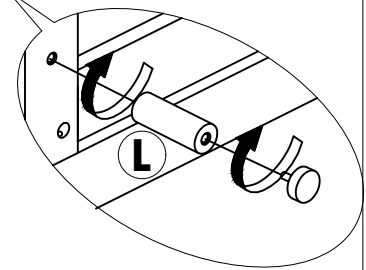
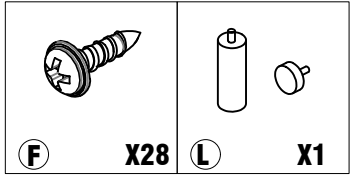
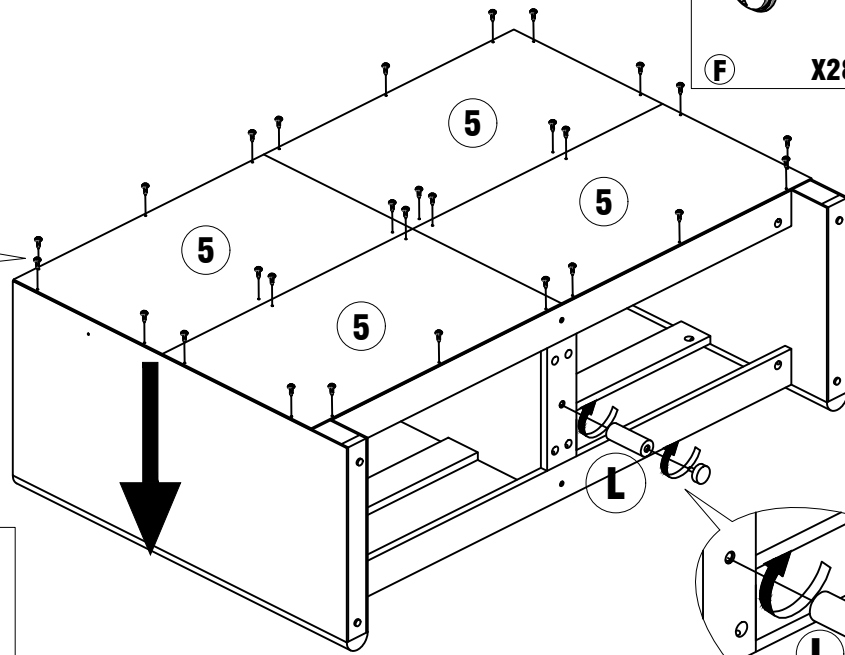
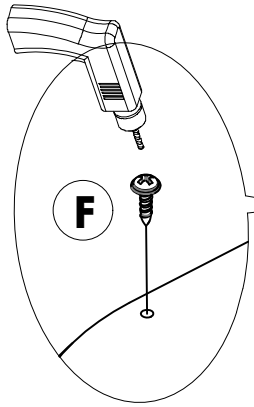
STEP 9



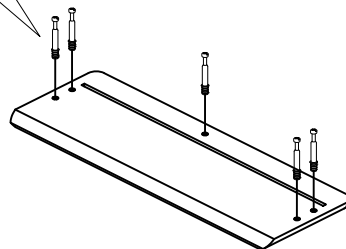
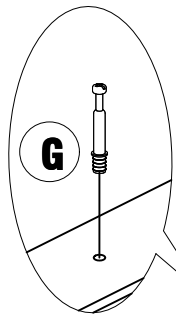
STEP 10



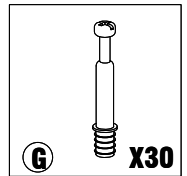
STEP 11



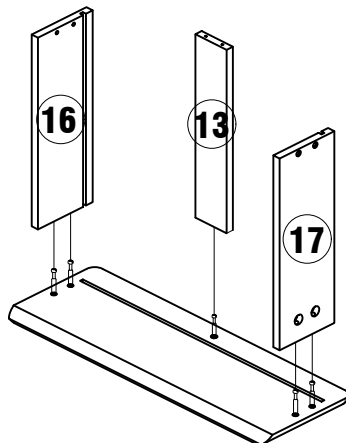
STEP 12



X6

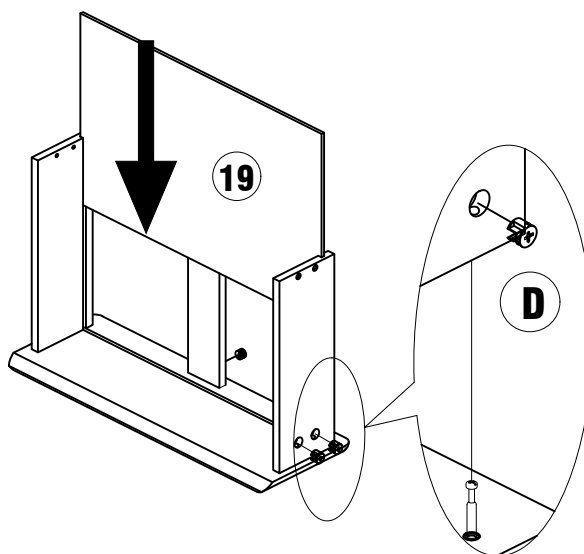
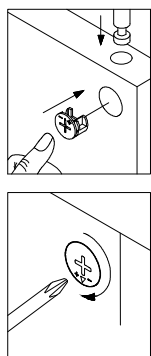
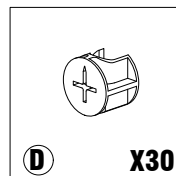


STEP 13



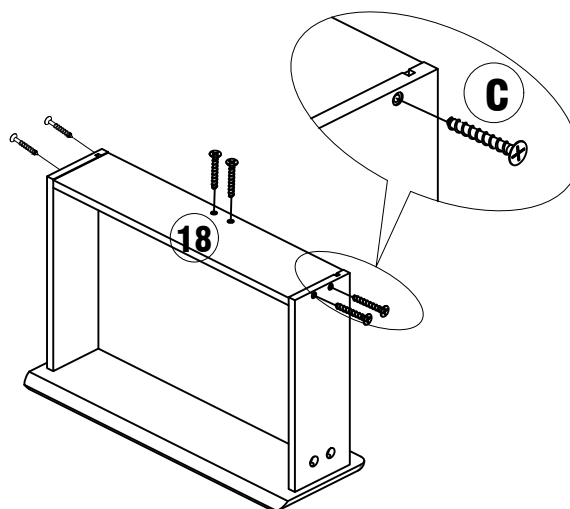
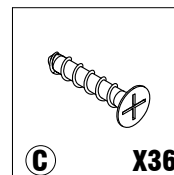
X6

STEP 14



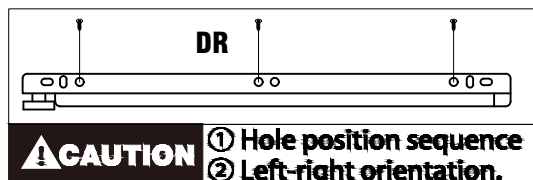
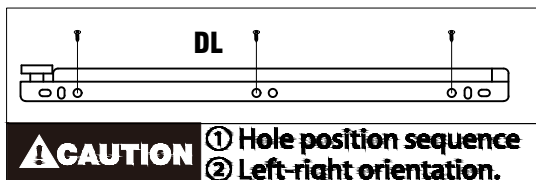
X6

STEP 15

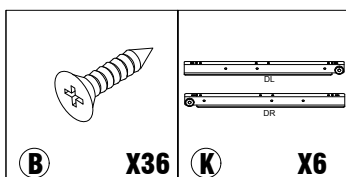
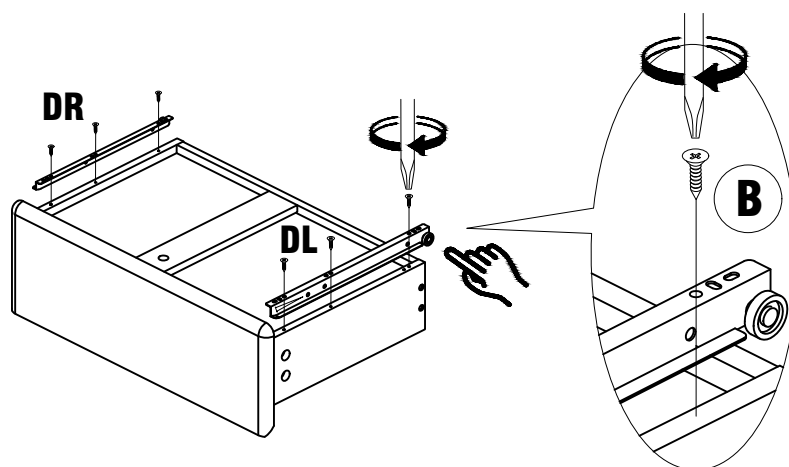


X6

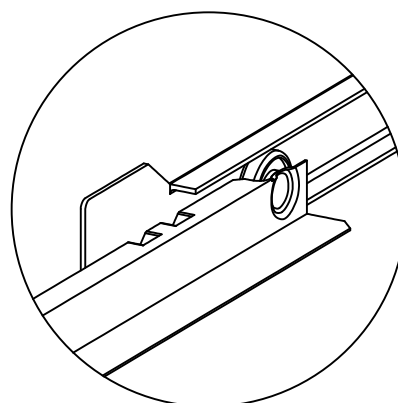
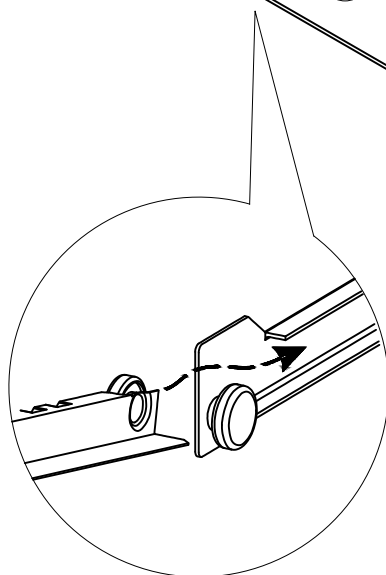
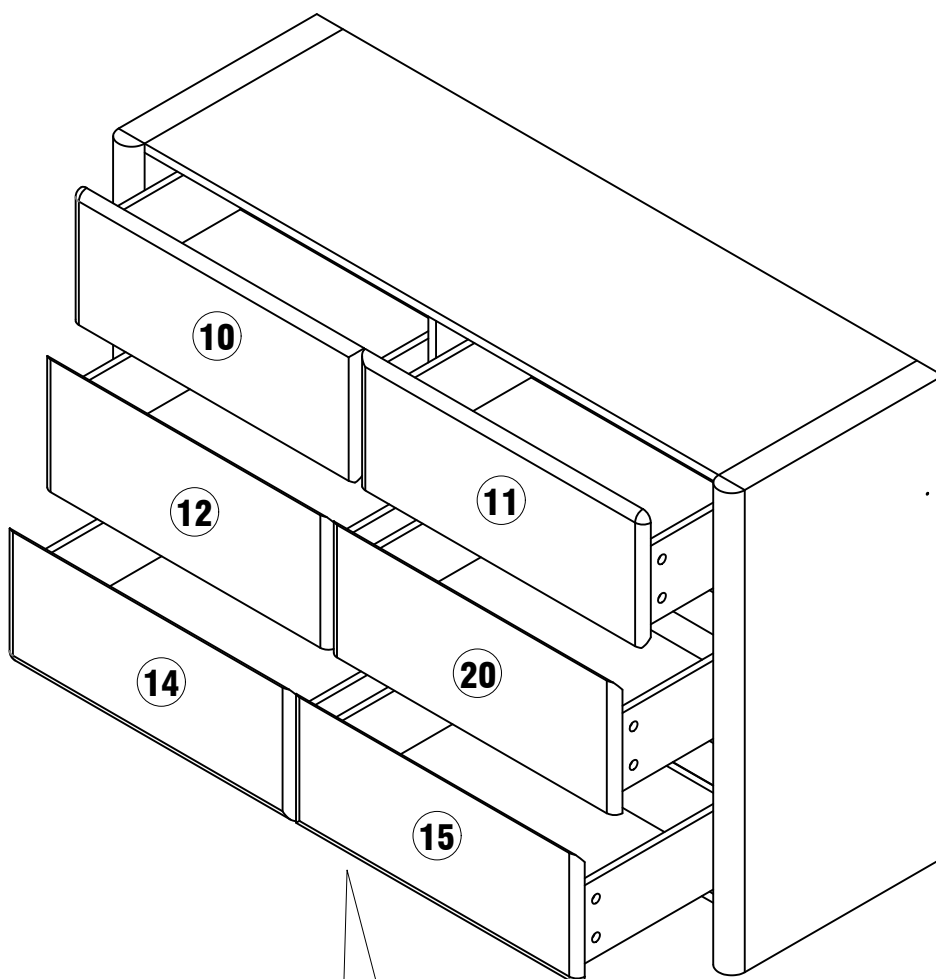
STEP 16



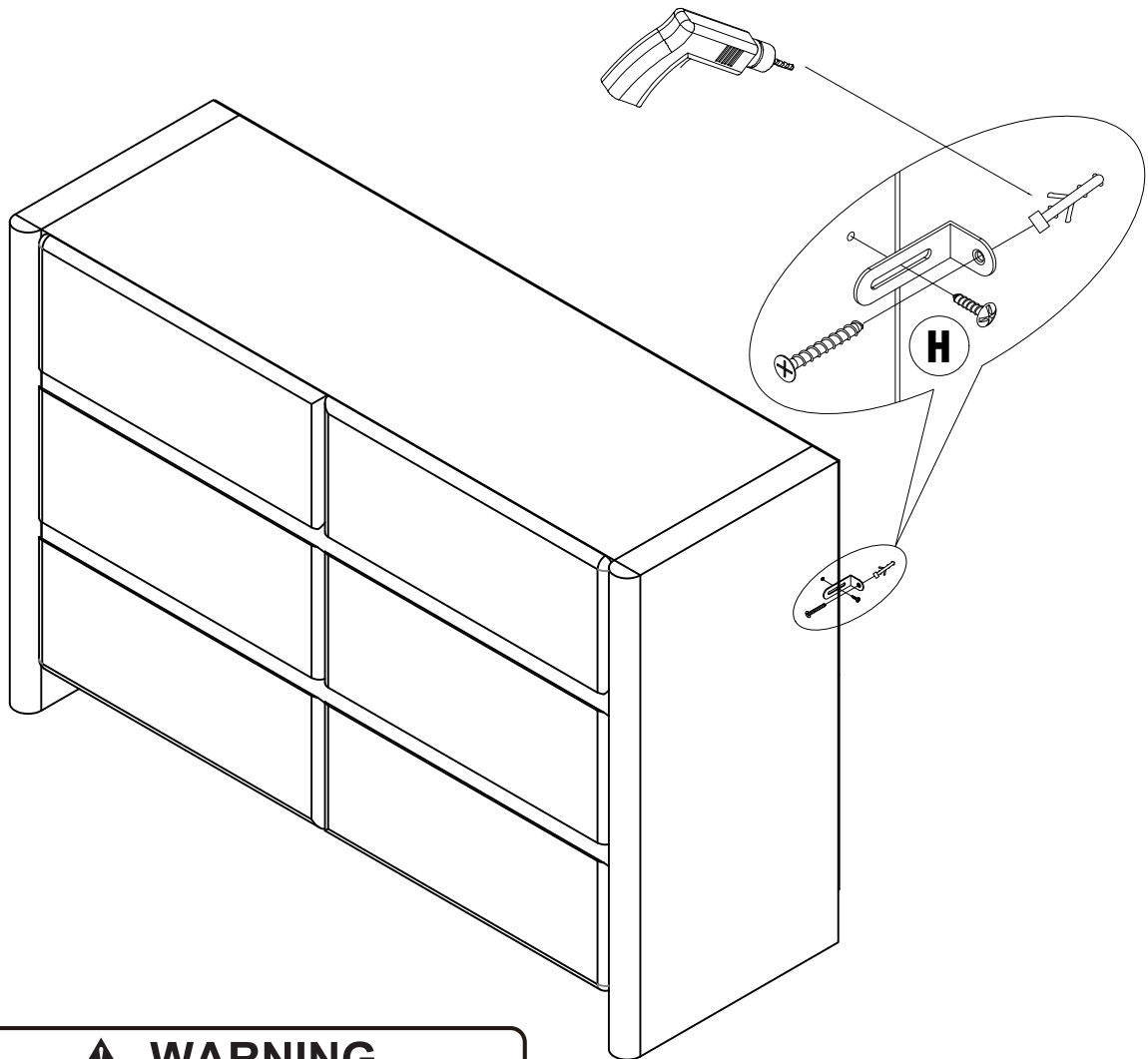
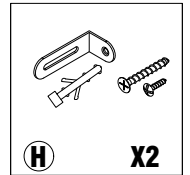
X6



STEP 17



STEP 18



▲ WARNING



Children have died from furniture tipover. To reduce the risk of furniture tipover:

- ALWAYS install anti-tip device provided.
- NEVER put a TV on this product.
- NEVER allow children to stand, climb or hang on any drawers, doors, or shelves.
- NEVER open more than one drawer at a time.
- Place heaviest items in the lowest drawers.



*this is a permanent label.
Do not remove!*