

Storage 3 door Cabinet

White



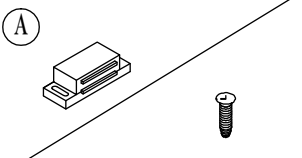
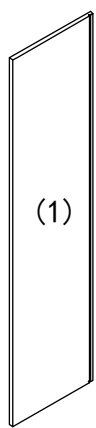

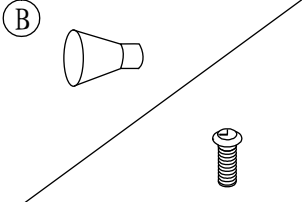
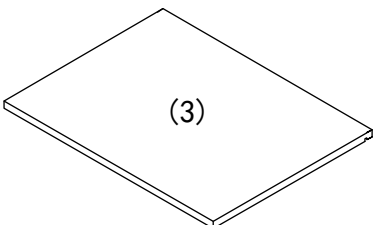
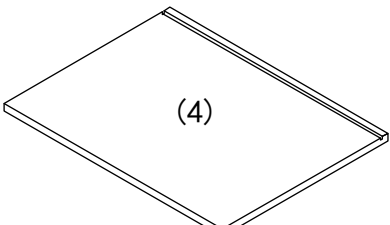
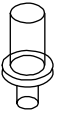
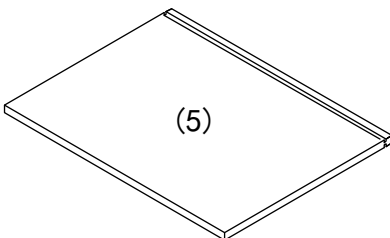
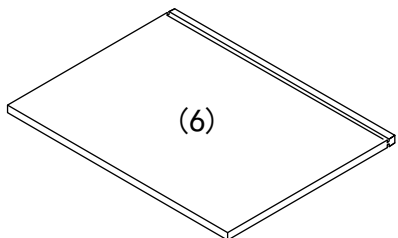

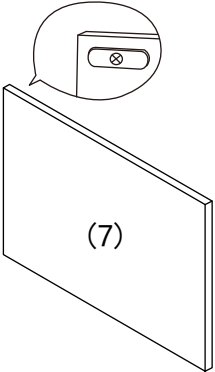
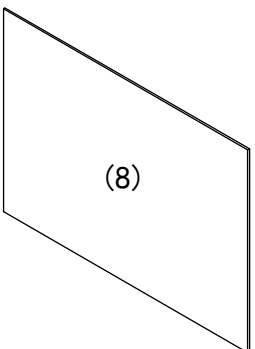
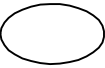
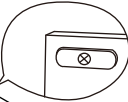
Black



Assembly Instructions

We have designed our furniture with you, the customer in mind. Our clear, easy to follow, step by step instructions will guide you through the project from start to finish. Feel confident that this will be a fun and rewarding project. The final product will be a quality piece of furniture that will go together smoothly and give years of enjoyment.

No tools required.

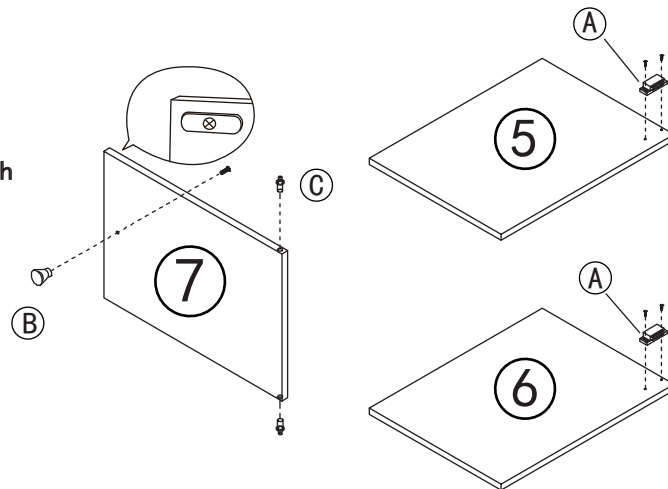
Hardware List	Panel List	
<p>(A)</p> 	 <p>(1)</p>	 <p>(2)</p>
<p>Magnet (3pcs) Magnet Screws (6pcs)</p>	<p>Left Side Panel (1pc)</p>	<p>Right Side Panel (1pc)</p>
<p>(B)</p> 	 <p>(3)</p>	 <p>(4)</p>
<p>Knob (3pcs) Knob Screws (3pcs)</p>	<p>Top Panel (1pc)</p>	<p>Bottom Panel (1pc)</p>
<p>(C)</p> 	 <p>(5)</p>	 <p>(6)</p>
<p>Spring Pins (6pcs)</p>	<p>Second-Shelf Panel (1pcs)</p>	<p>Third&Fourth-Shelf Panel (2pc)</p>
<p>(D)</p> 	 <p>(7)</p>	 <p>(8)</p>
<p>Screws (20pcs)</p>	<p>Door Panel (3pcs)</p>	<p>Back Panel (4pcs)</p>
<p>(E)</p> 		
<p>Caps (20pcs)</p>		

step1

1. Attach Magnets (A) to the Second&Third-Shelf Panels (5) and Fourth-Shelf Panel (6) with Screws.

2. Attach Knob (B) to Door (7) using Screws.

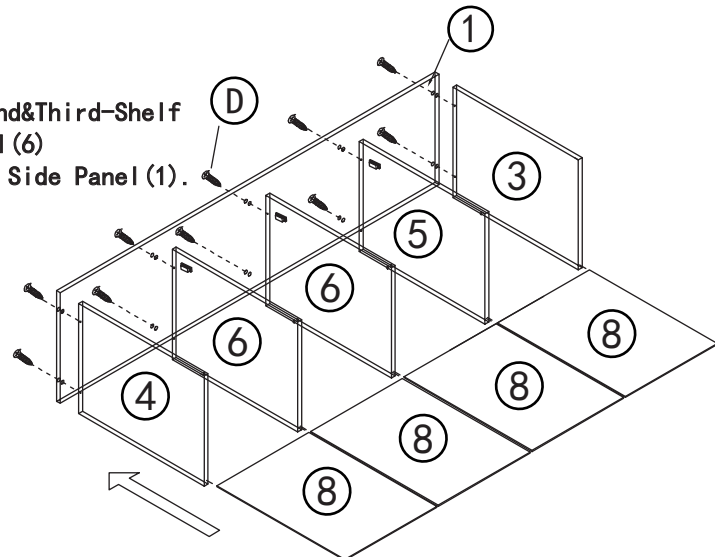
Pushing Spring Pins (E) into holes as illustrated above.



step2

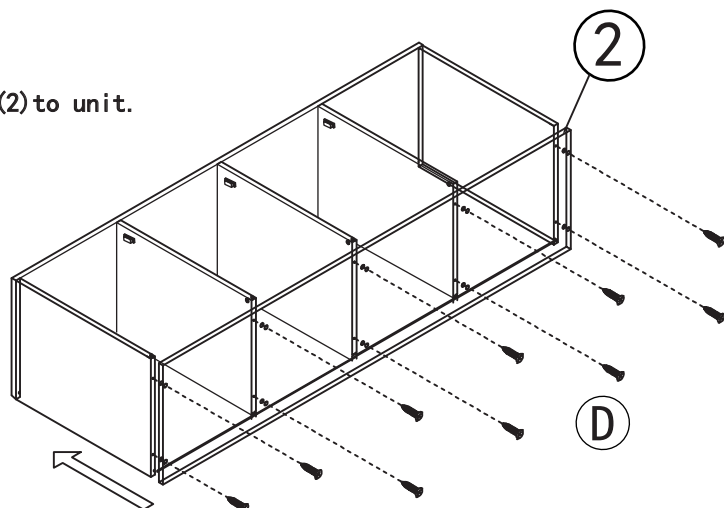
1. Connect Top Panel (3), Second&Third-Shelf Panels (5), Fourth-Shelf Panel (6) and Bottom Panel (4) to Left Side Panel (1). Fasten with Screws (D).

2. Slide the Back Panels (8) into the groove of the unit.



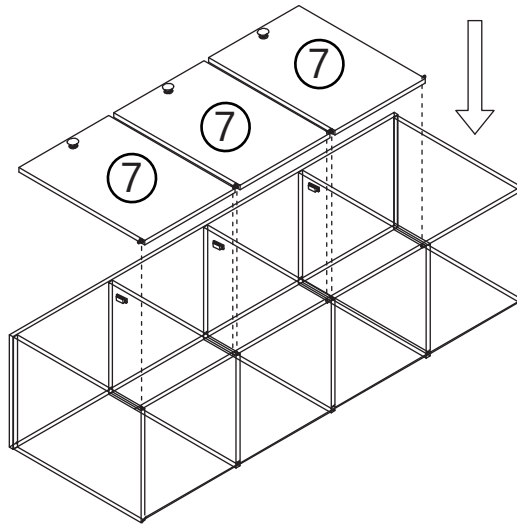
step3

Connect Right Side Panel (2) to unit.
Fasten with Screws (D).



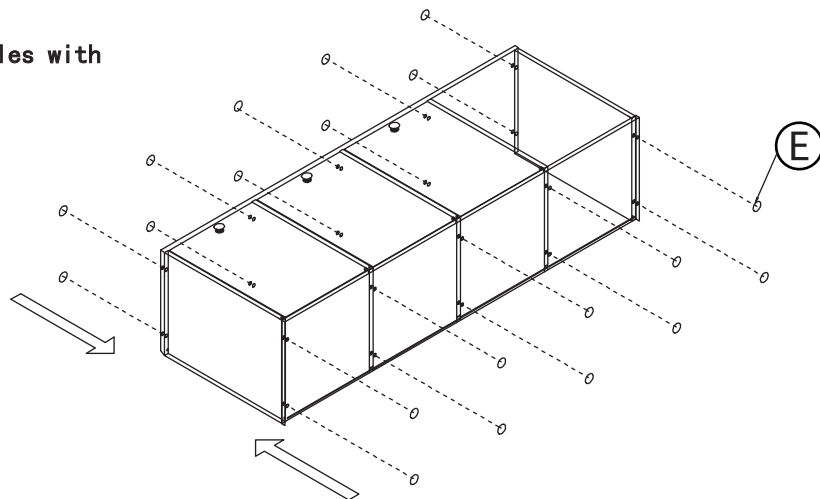
step4

1. Attach Doors (7) to unit by placing one end of Spring Pin into hole, gently compress other end of Spring Pin so that it will slide into remaining hole.



step5

Cover the screw holes with Caps (E).



step6

Enjoy!

