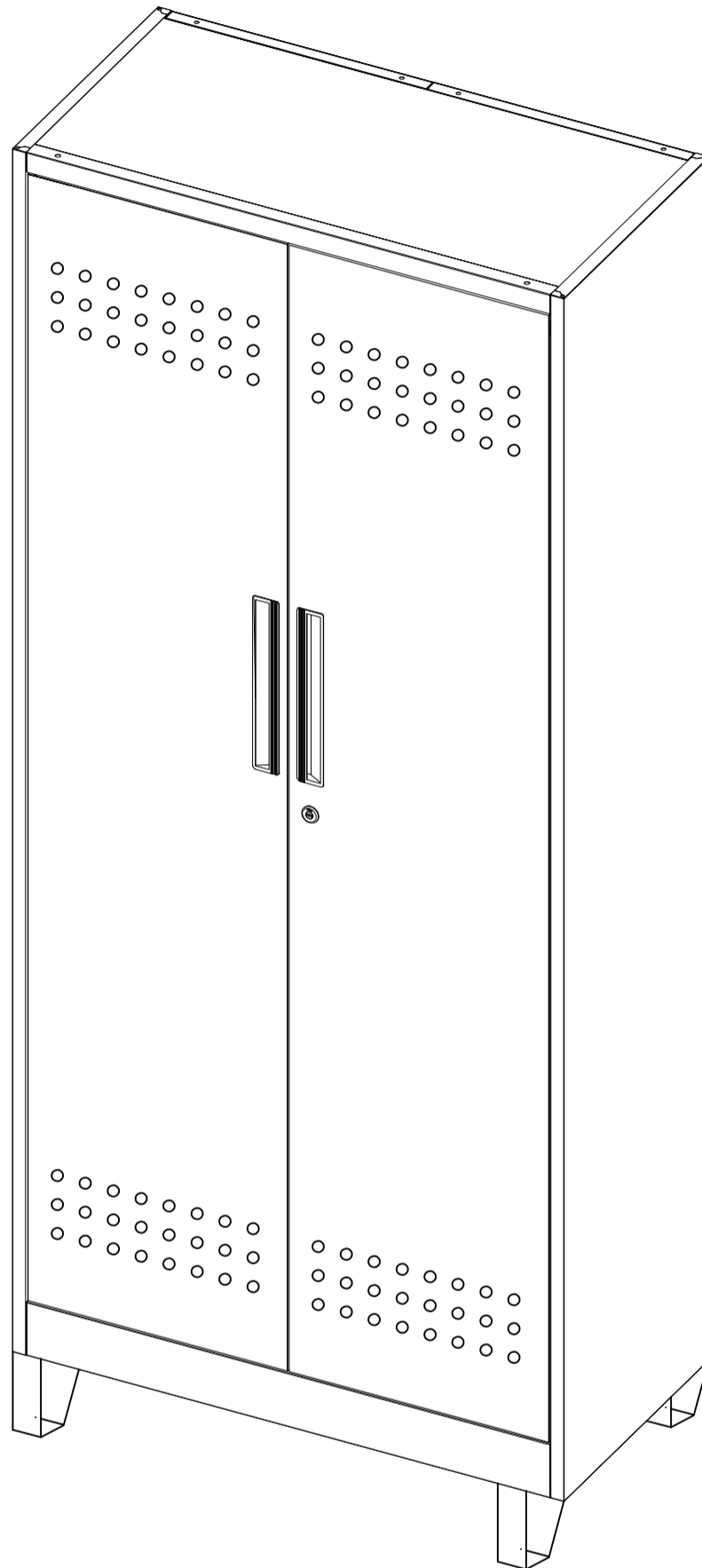
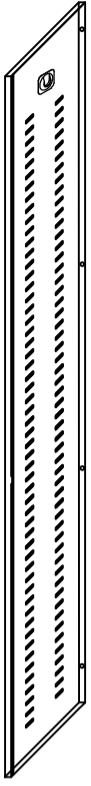
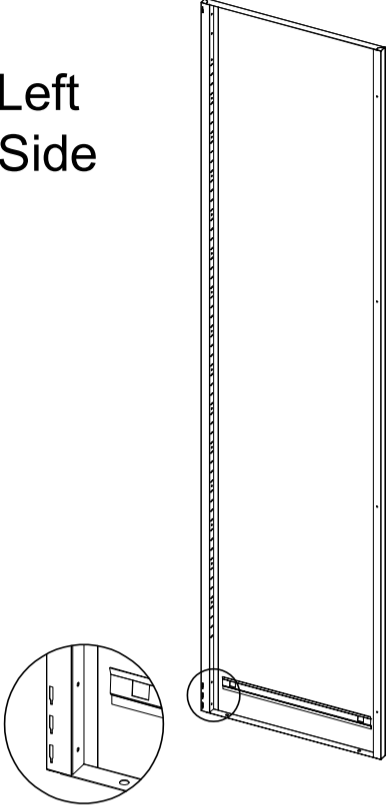
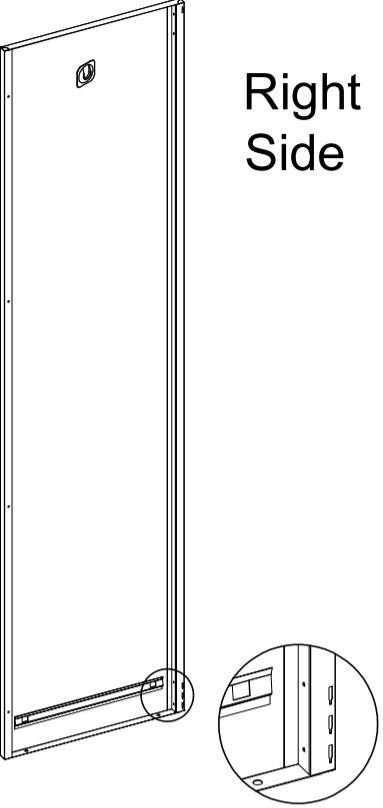
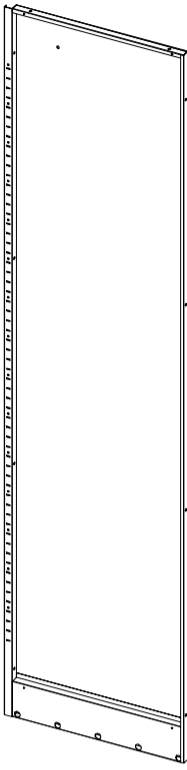
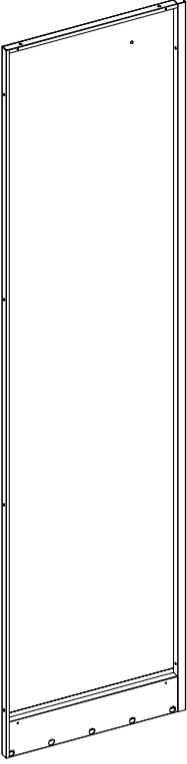
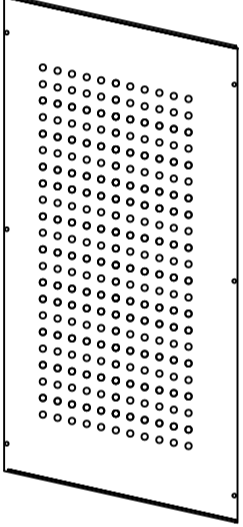
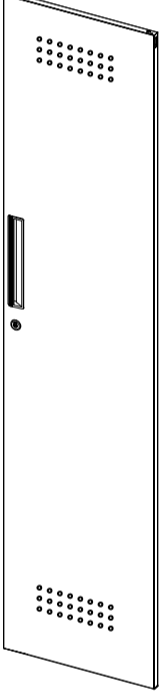
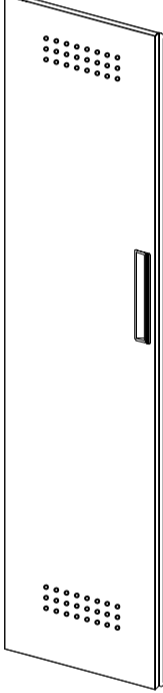
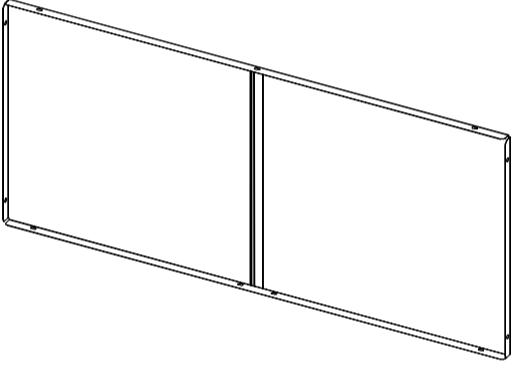
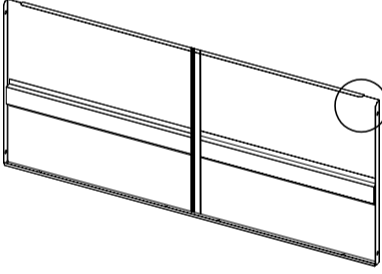
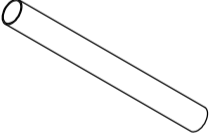
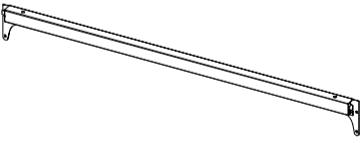
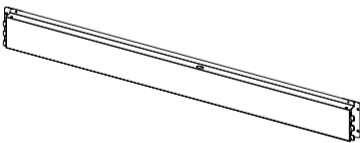
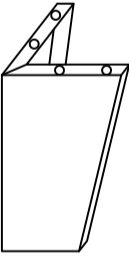


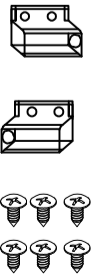

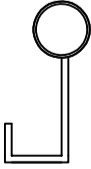

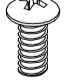
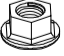

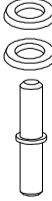
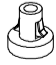
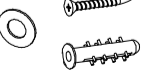

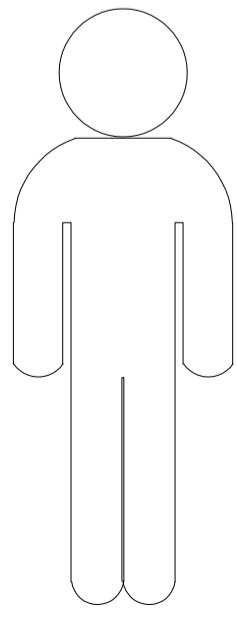
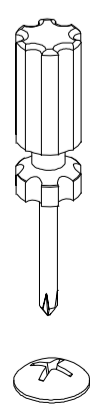
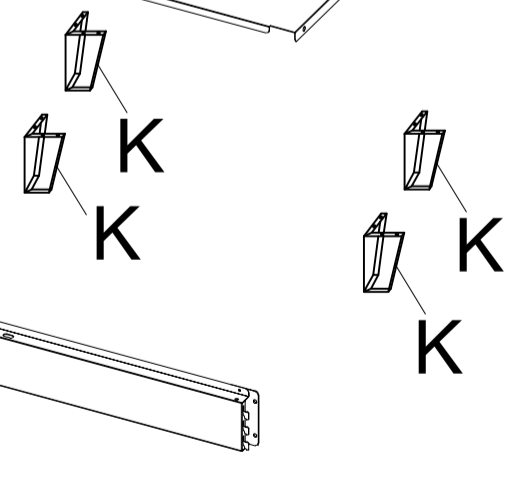
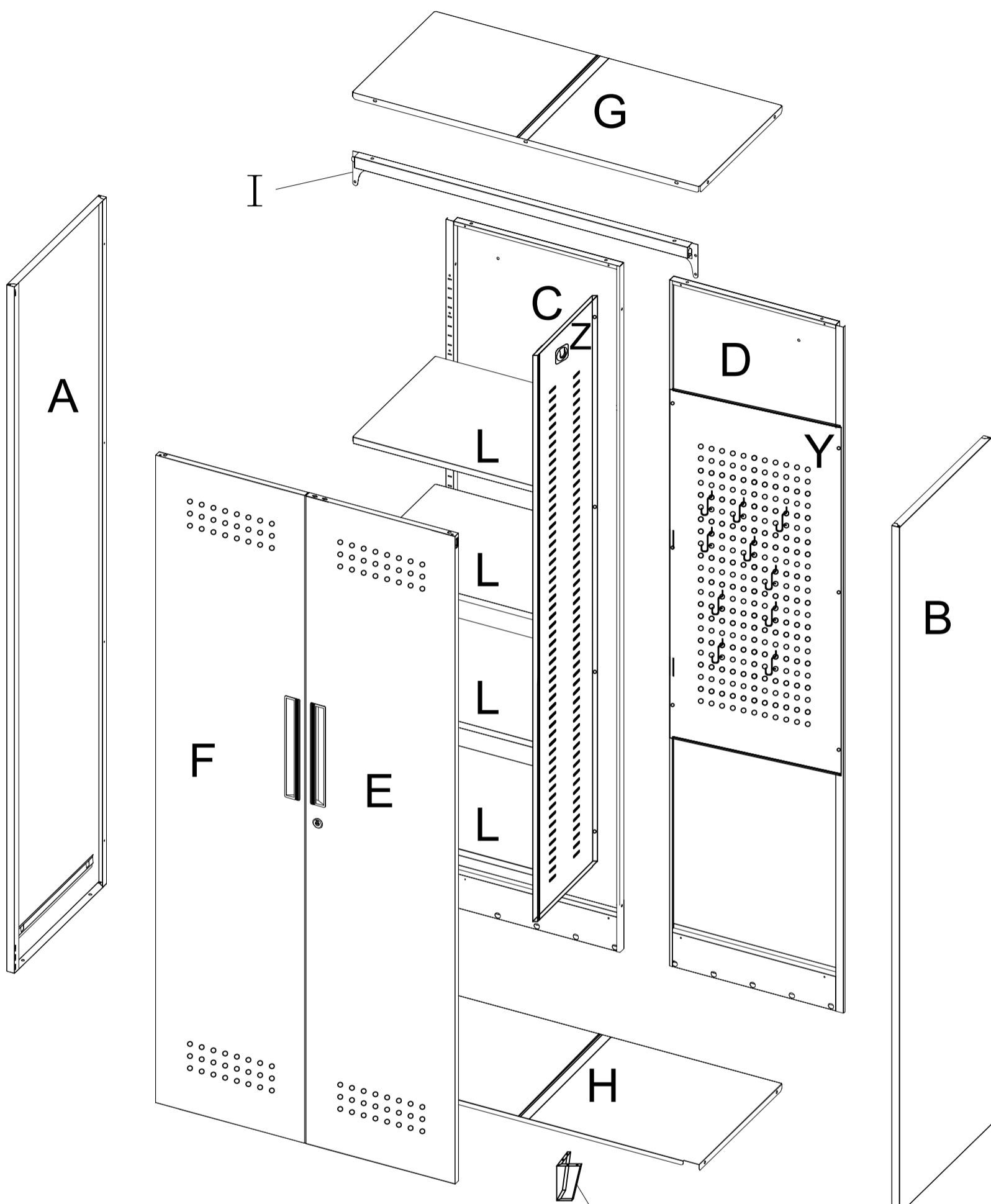


Thanks for choosing our goods. Before Install the goods must read carefully on our install manual or check our install video on ourshop. If still have install problem or other things can contact ourafter-sales team



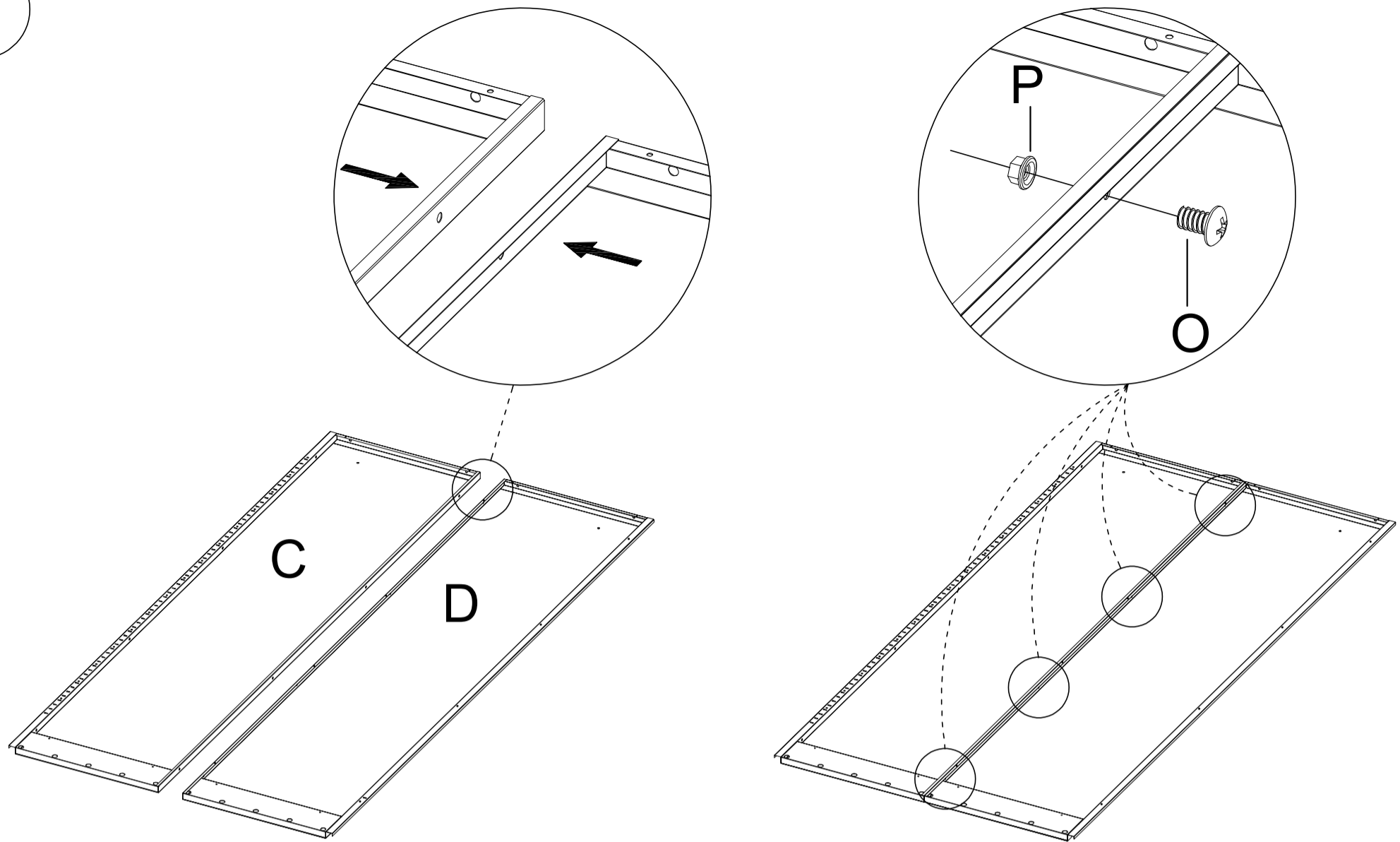
Please scan the QR code to check the assemble video

<p>Z×1</p> 		<p>A×1</p> <p>Left Side</p> 		<p>B×1</p> <p>Right Side</p> 		<p>C×1</p> <p>Left Back Panel</p> 		<p>D×1</p> <p>Right Back Panel</p> 			
<p>Y×1</p>  <p>Accessory Hanging Plate</p>		<p>E×1</p> <p>Right Door</p> 		<p>F×1</p> <p>Left Door</p> 		<p>G×1</p> <p>Top Panel</p> 		<p>H×1</p> <p>Bottom Plate</p> 			
<p>W×1</p>  <p>Clothes Rail</p>		<p>I×1</p>  <p>Top Rail</p>		<p>J×1</p>  <p>Kickplate</p>		<p>K×4</p>  <p>Standing Leg</p>		<p>L×4</p>  <p>Shelves</p>			
<p>X×2</p> 	<p>V×4</p> 	<p>M×10</p> 	<p>M2×3</p> 	<p>N×52</p> 	<p>O×4</p> 	<p>P×4</p> 	<p>Q×18</p> 	<p>R×2</p> 	<p>S×4</p> 	<p>T×2</p> 	<p>U×2</p> <p>Standby Application</p> 





x2

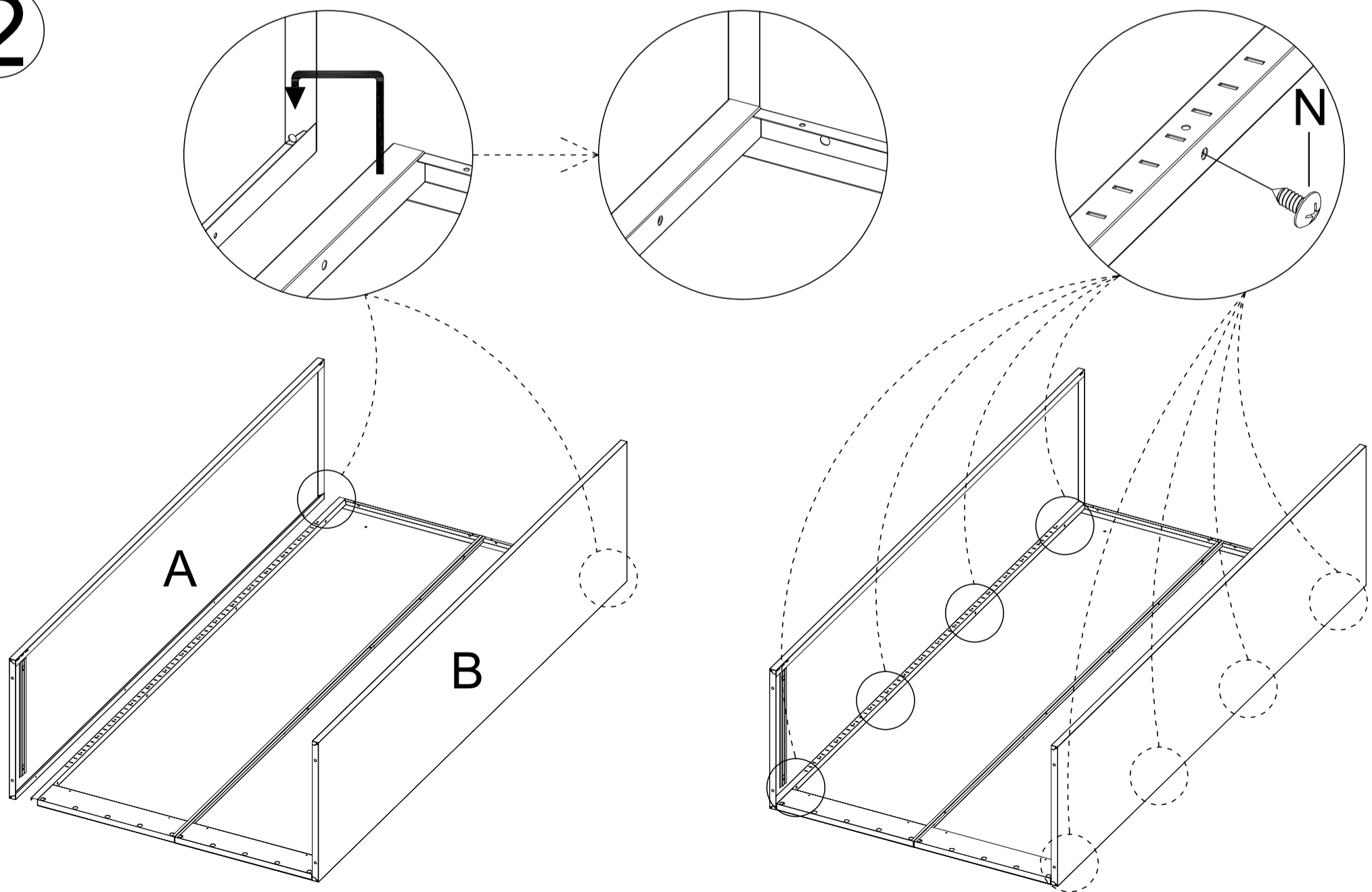
1




1. Assemble C and D together and fix them with O and P.

	O×4
	P×4

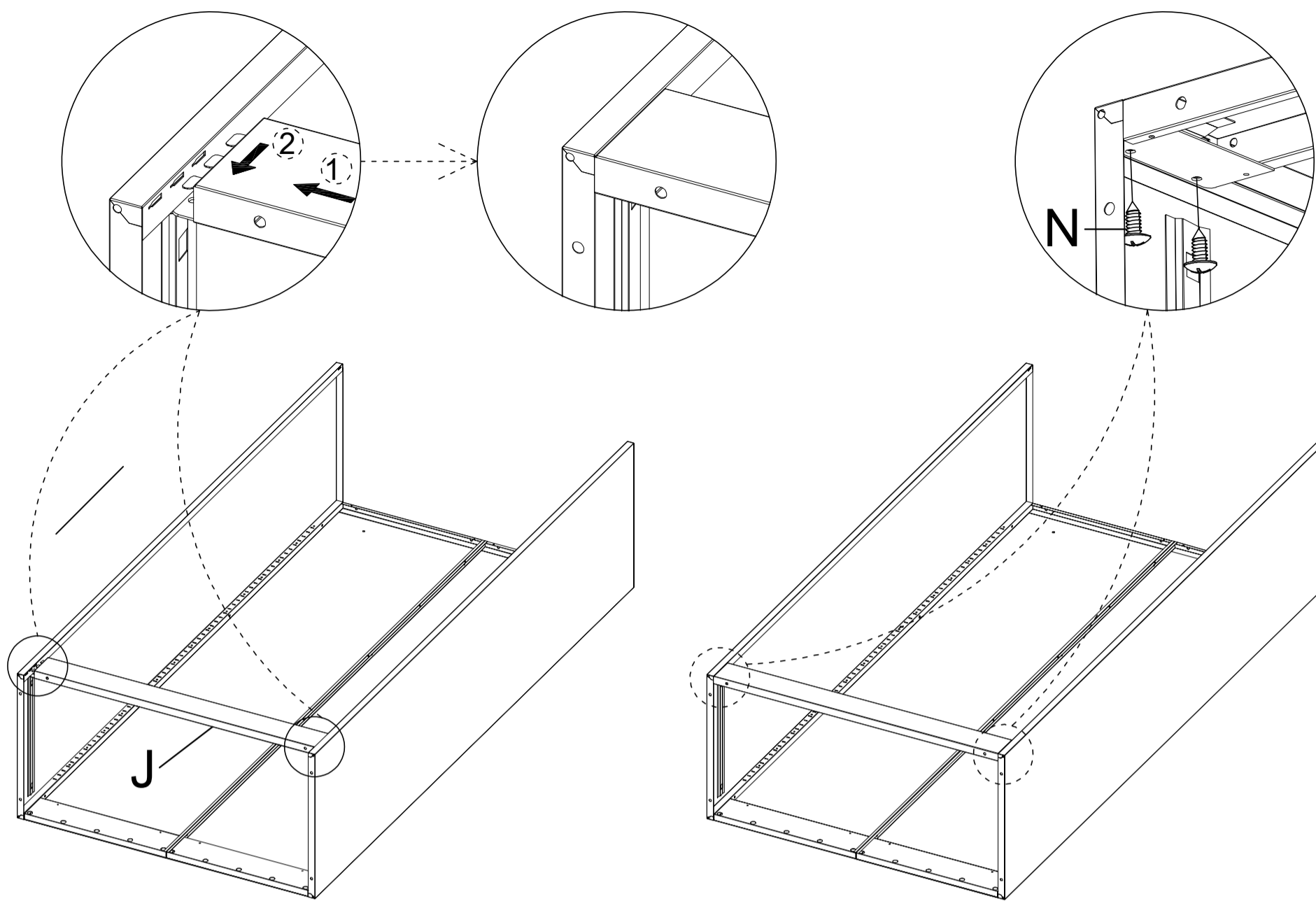
2



2. Install A and B and fix them with N.

	N×8
---	-----

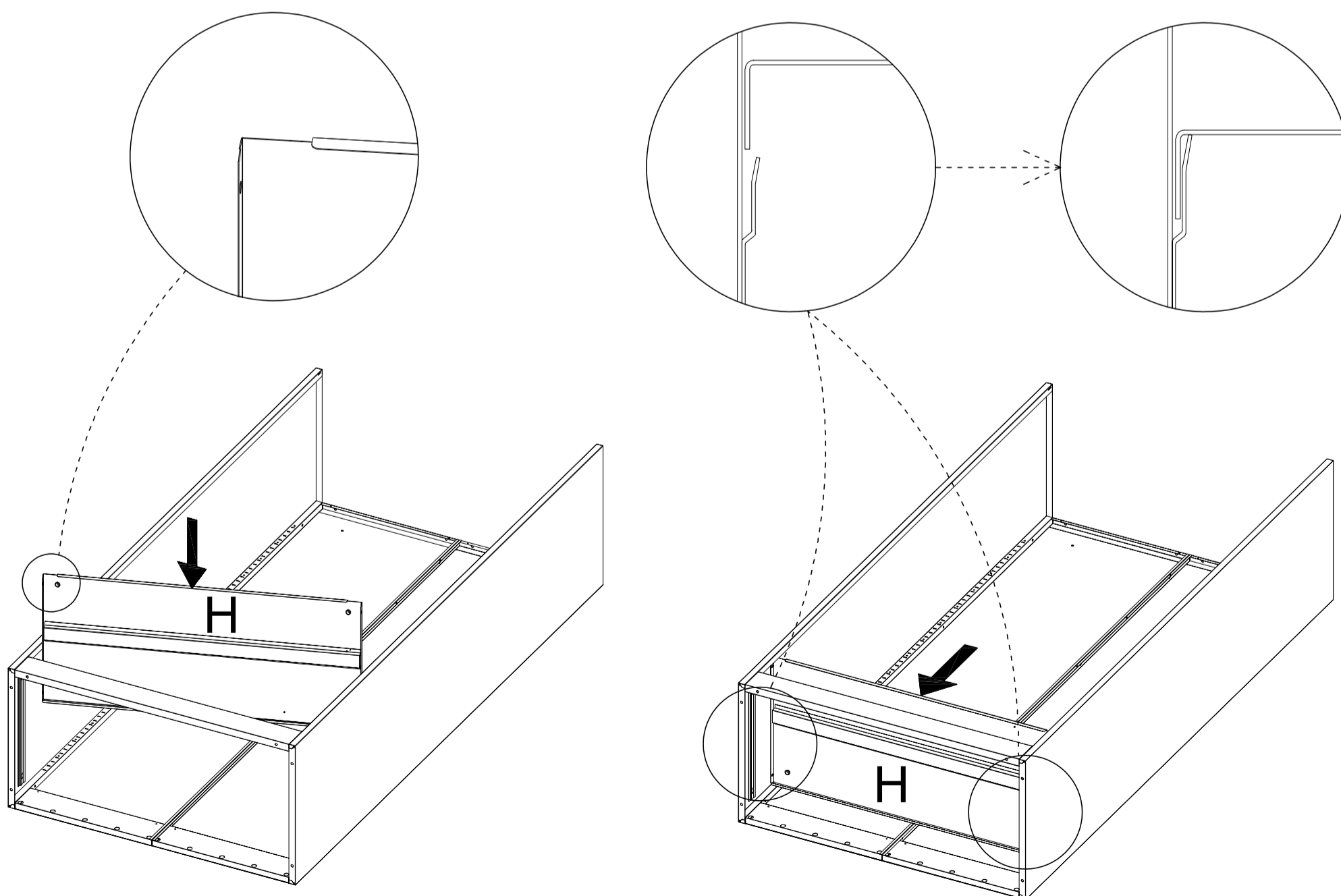
3



3. Install J and fix it with N.

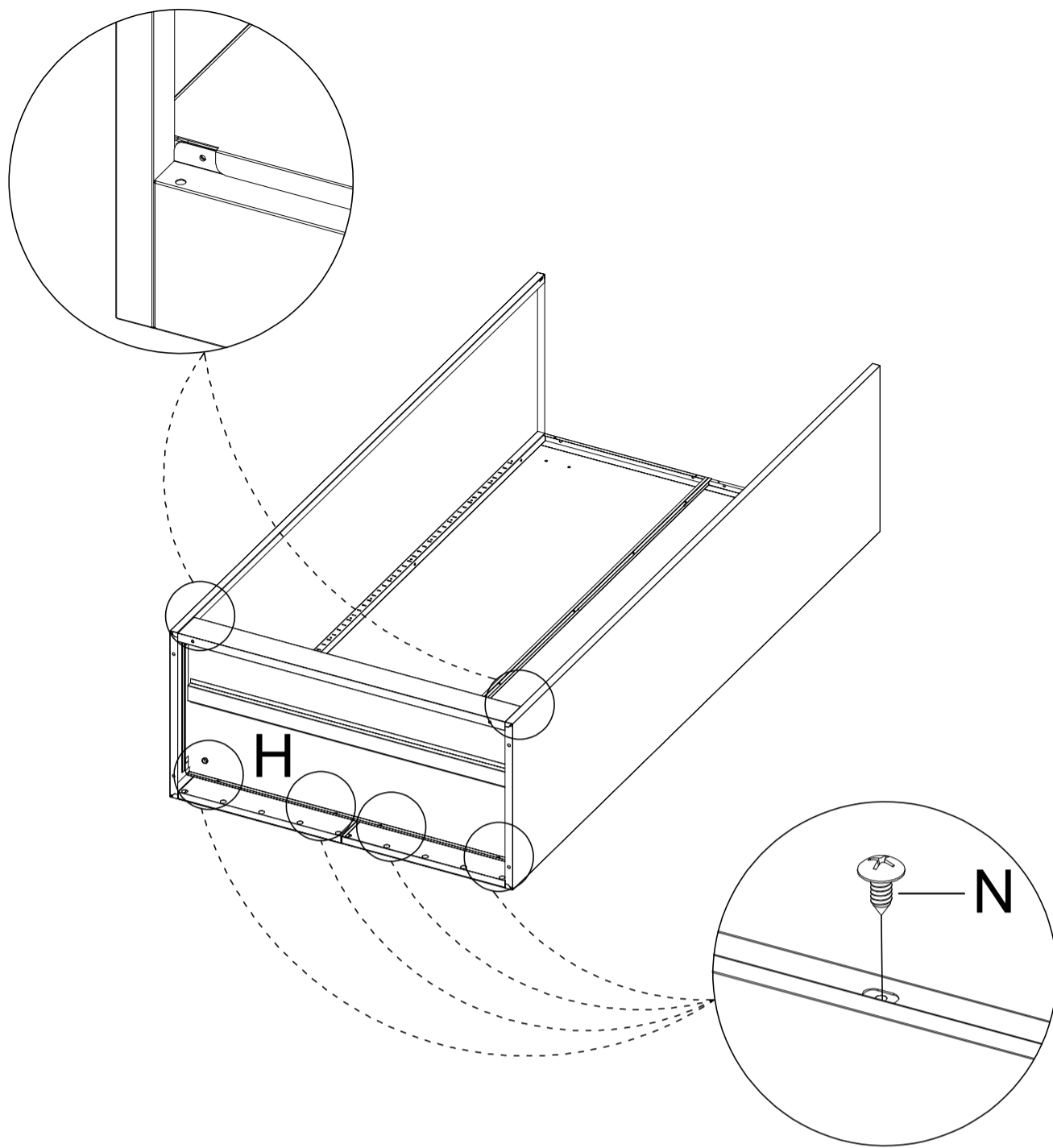


4



4. Install H.

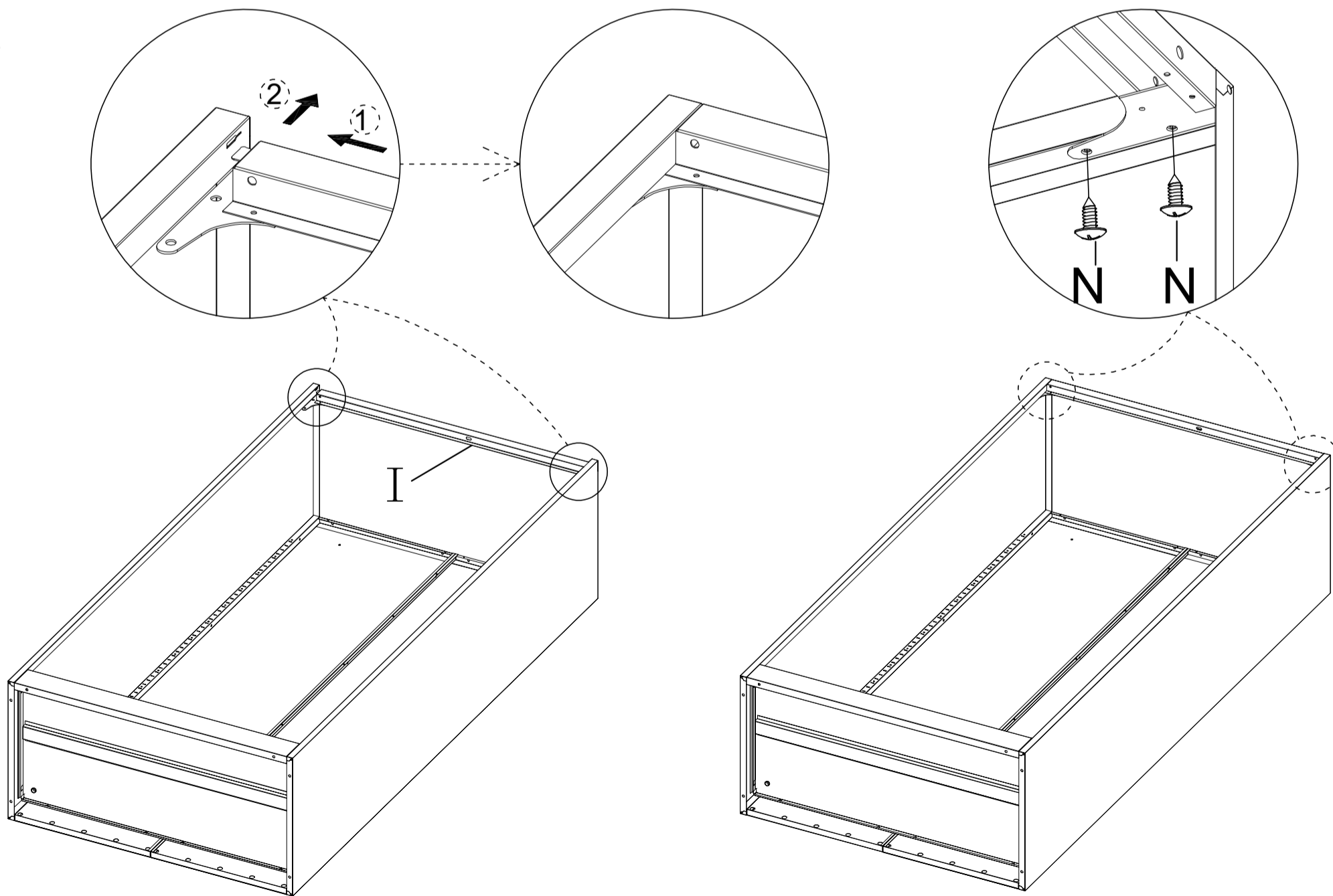
5



5. Fix H with N.



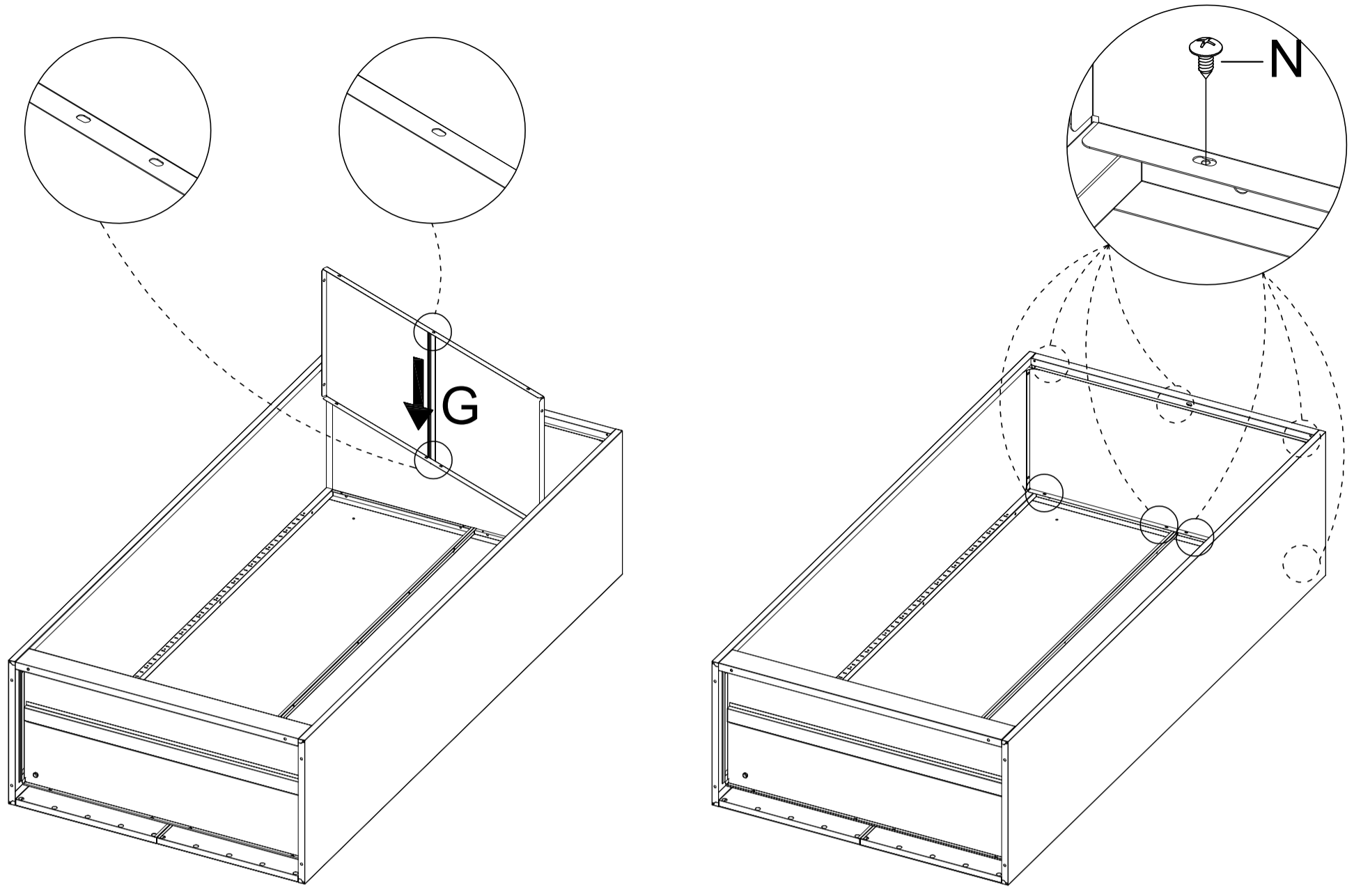
6



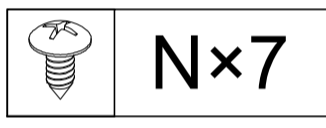
6. Install I, fixed with N.



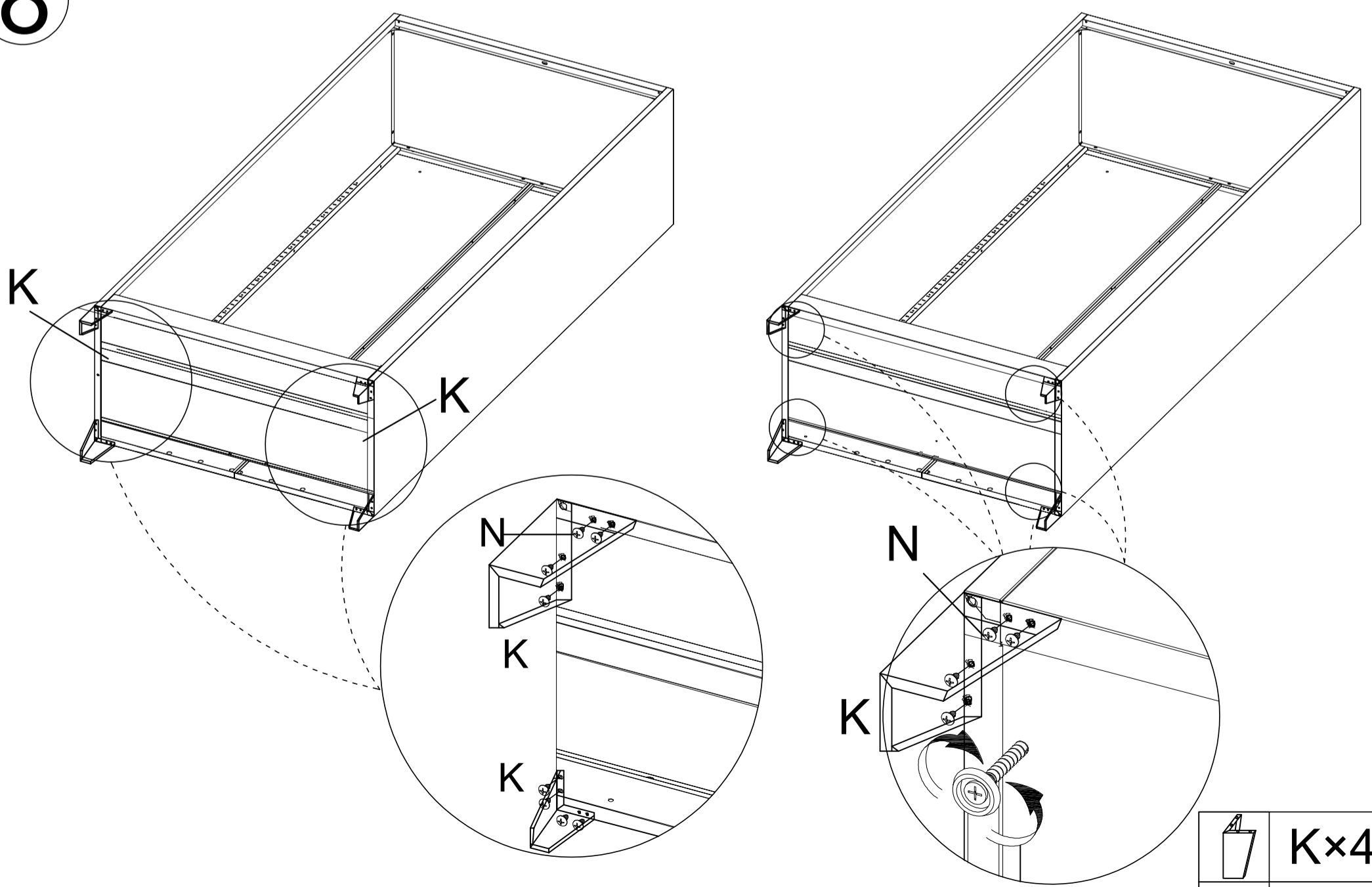
7



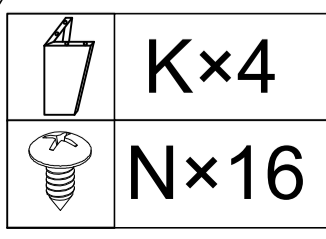
7. Install G and fix it with N.



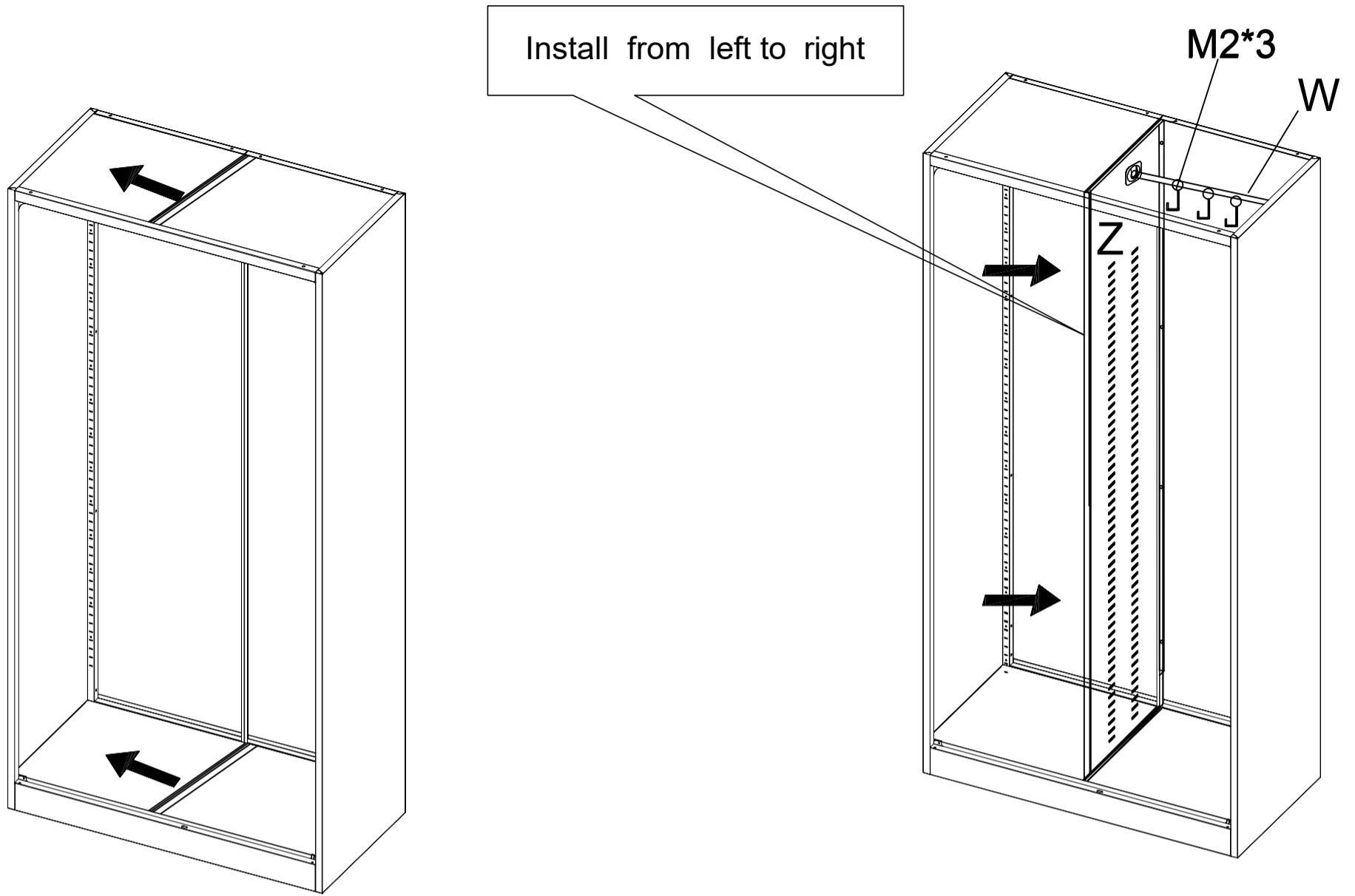
8



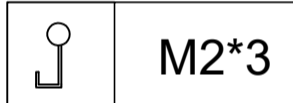
8. Install K and fix it with N.



9

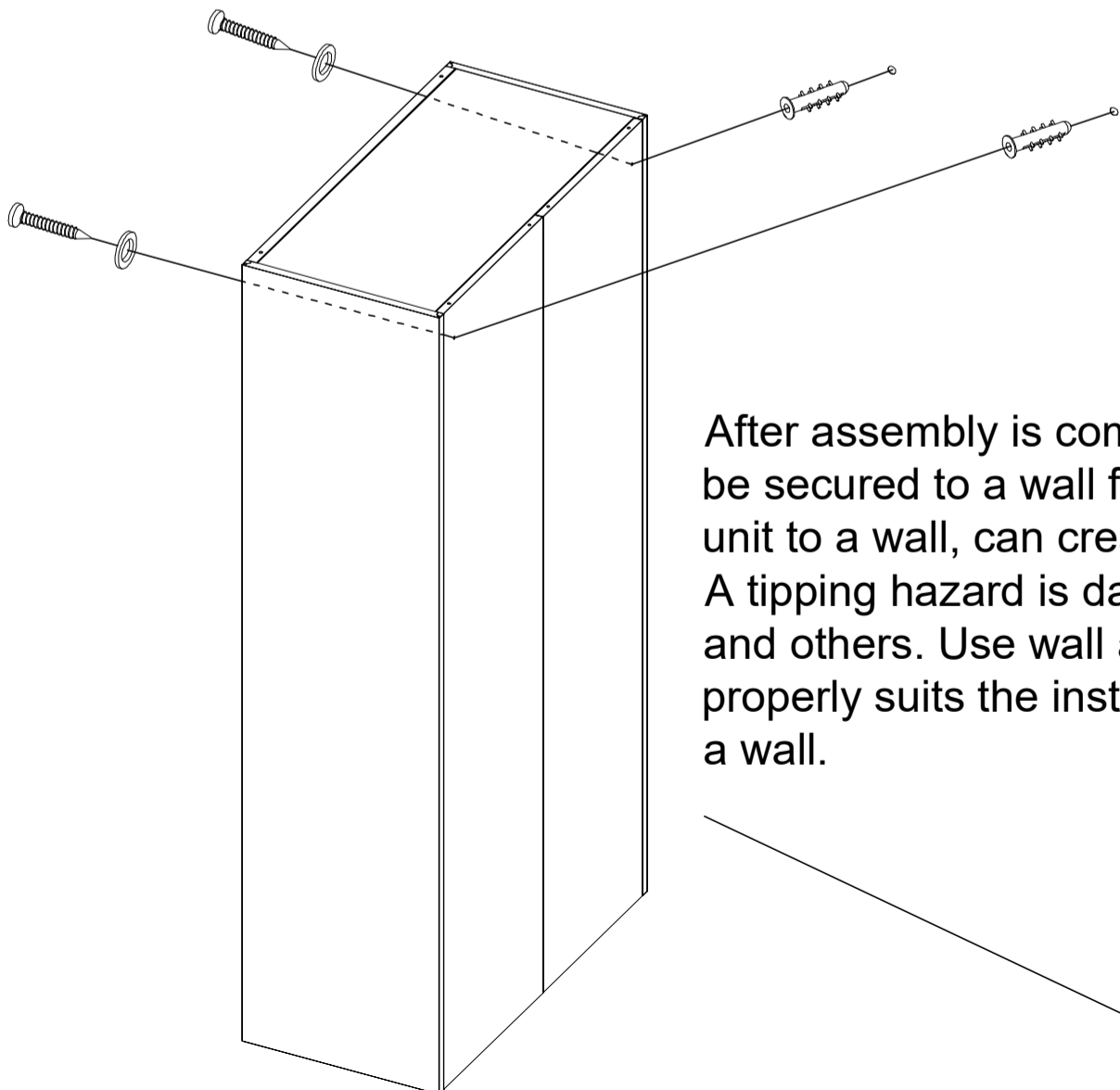


9. Install Z and fix it with N. Install W and M2

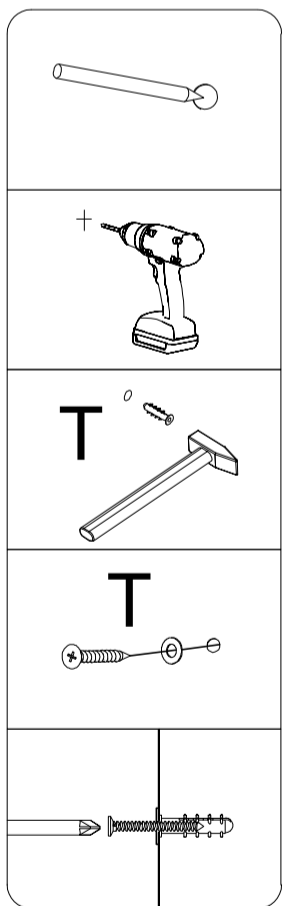


10

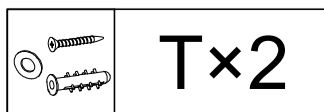
Anchor Screw " T " through holes, and fastens to the wall



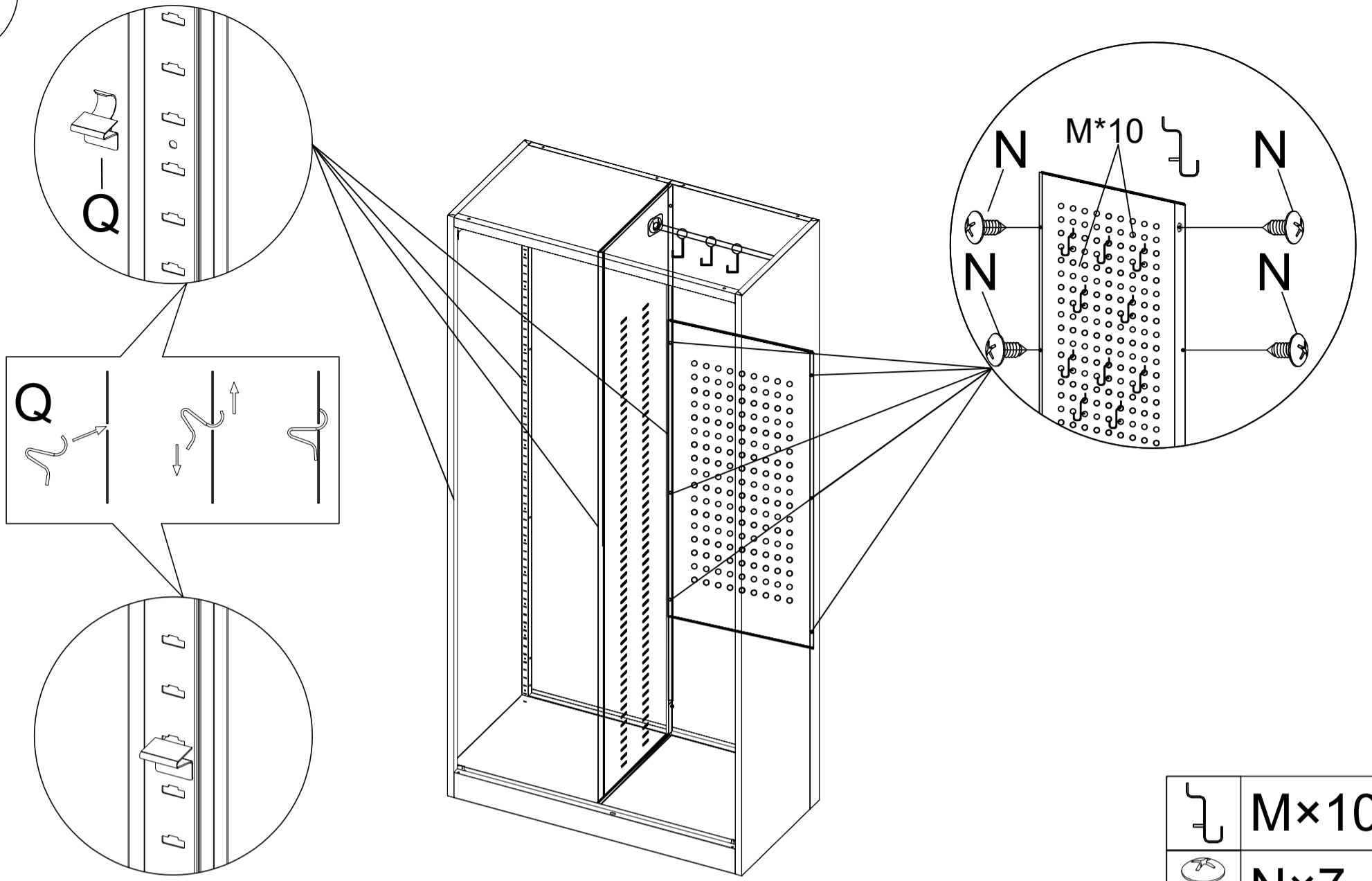
After assembly is completed, The unit must be secured to a wall failure to mount the unit to a wall, can create a tipping hazard. A tipping hazard is dangerous to yourself and others. Use wall anchor hardware that properly suits the installation of this unit to a wall.



10. Wall fixed.



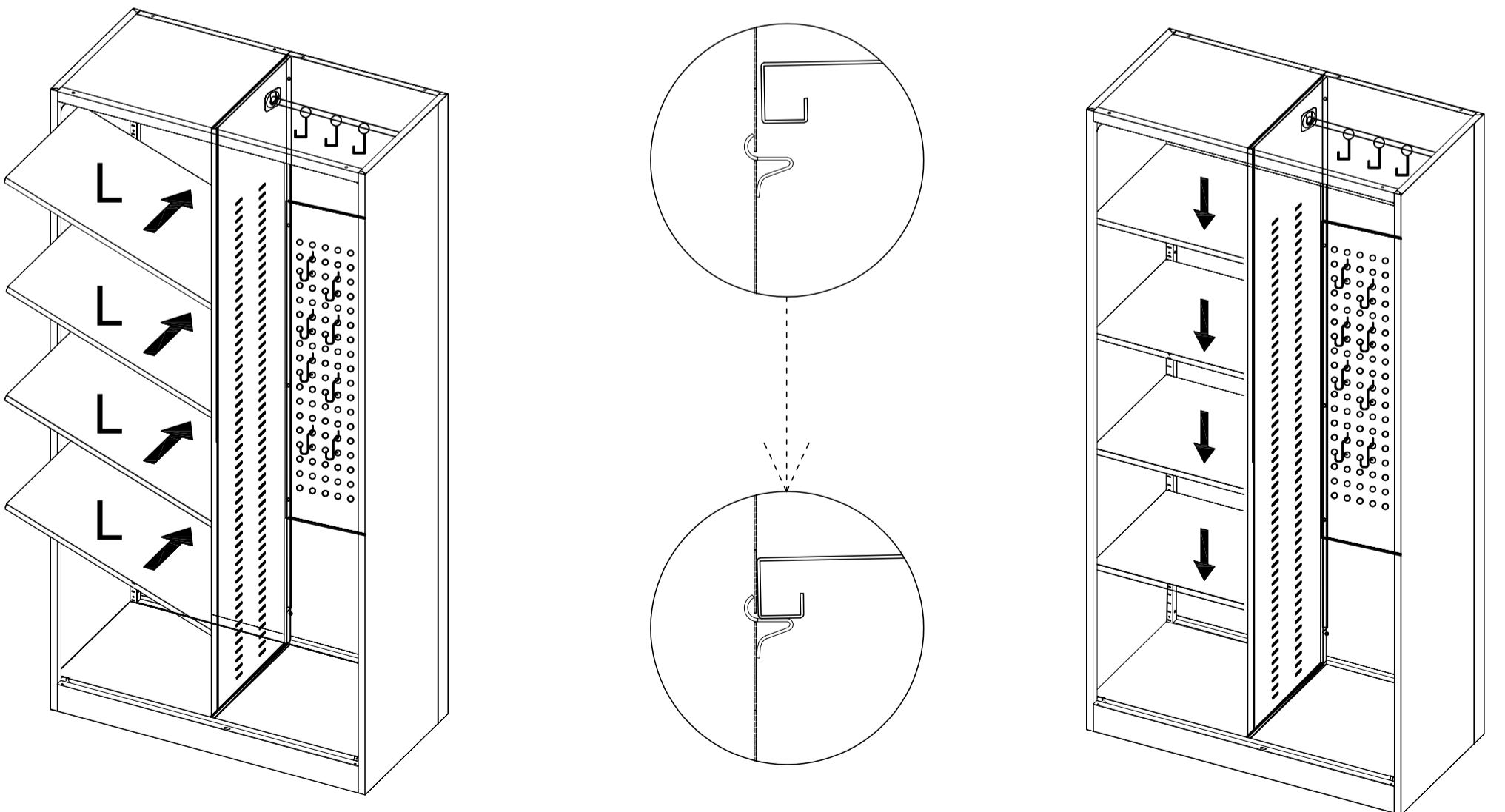
11



11. Install Y and fix it with N. Install Q and M

	M×10
	N×7
	Q×16

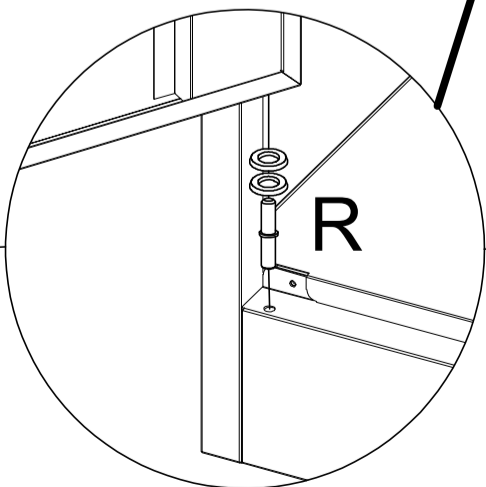
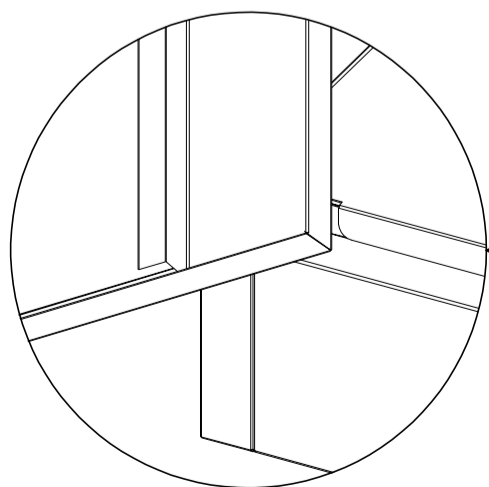
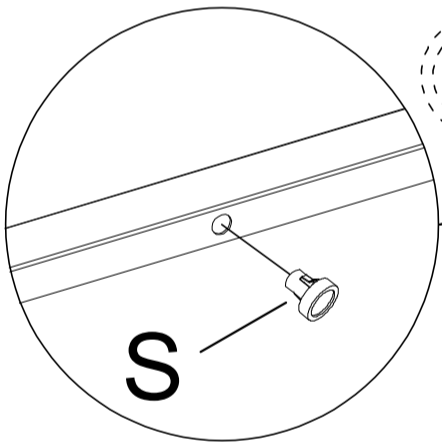
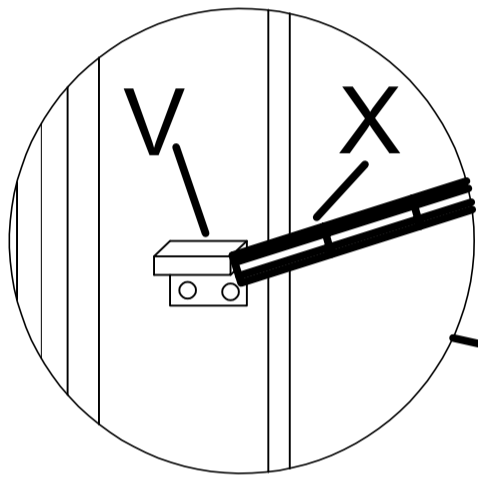
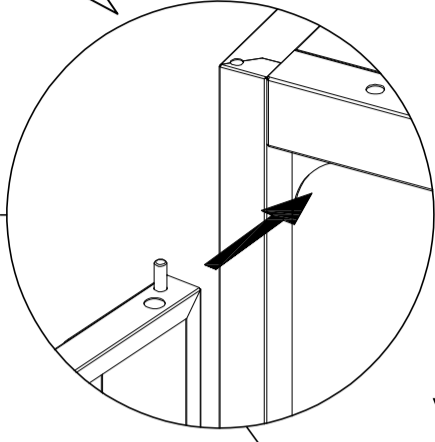
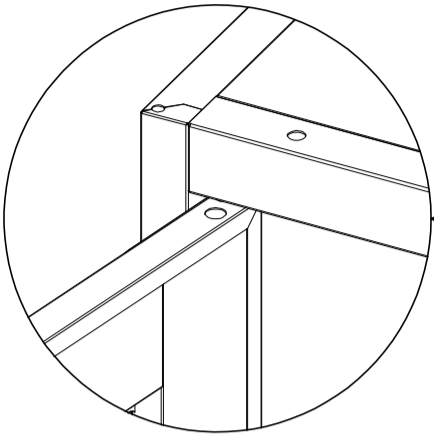
12



12. Install L

13

If the spring shaft is lost, spare parts U can be used.



V₁×4 V×2 X×1

2

3


F

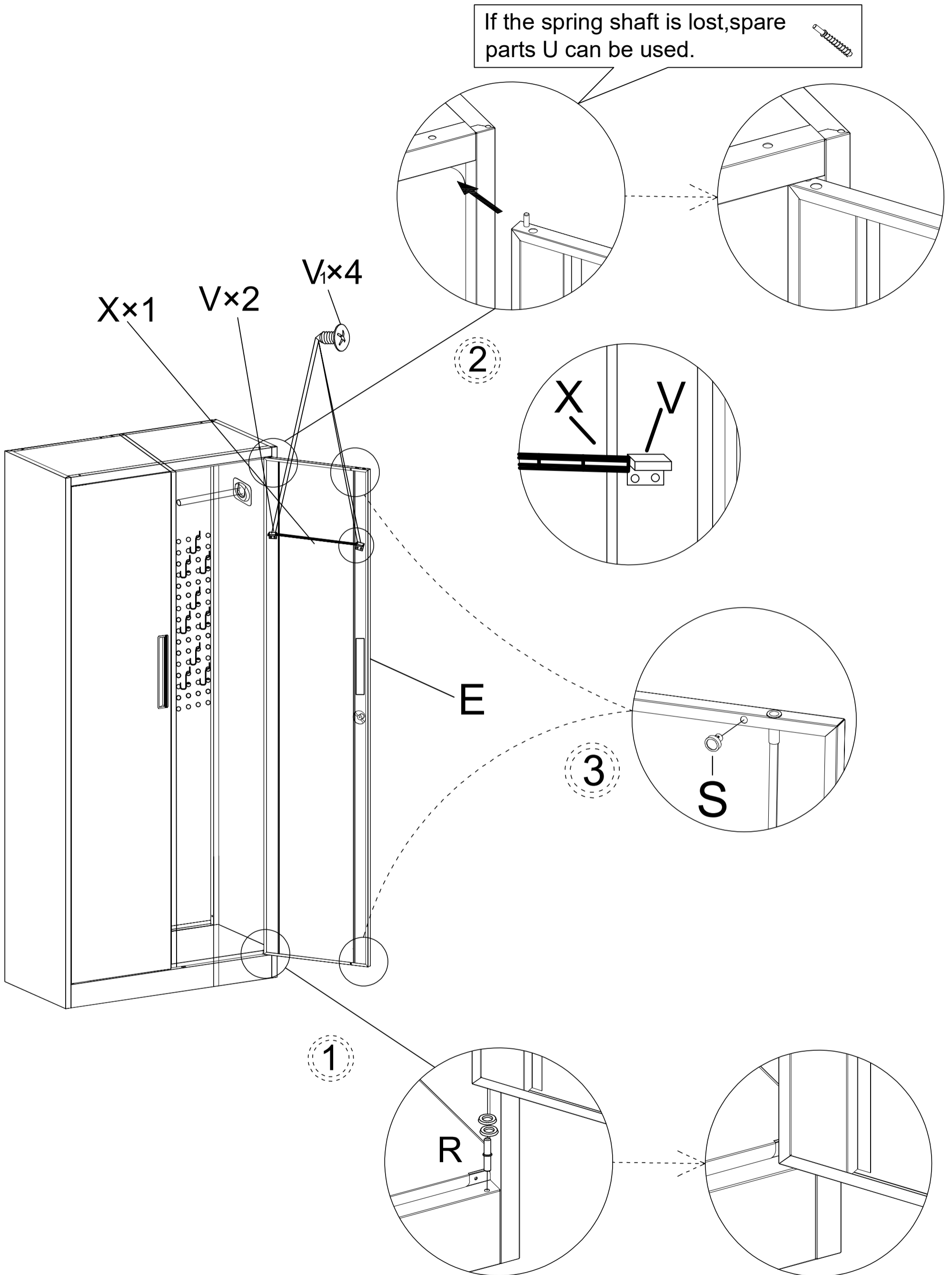
1




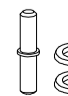
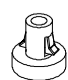
13. Install F and parts

	V ₁ ×4		R×1 S×2
--	-------------------	--	------------

If the spring shaft is lost, spare parts U can be used. 



14. Install F and parts

	V ₁ ×4		R×1
			S×2

